



US00D332140S

# United States Patent [19]

[11] Patent Number: **Des. 332,140**

La Bombard et al.

[45] Date of Patent: **\*\* Dec. 29, 1992**

- [54] **PEDIATRIC TRACHEOSTOMY TUBE**
- [75] Inventors: **Denis La Bombard, Georgetown;**  
**Lewis Marten, Quincy, both of Mass.**
- [73] Assignee: **Hood Laboratories, Pembroke, Mass.**
- [\*\*] Term: **14 Years**
- [21] Appl. No.: **484,620**
- [22] Filed: **Feb. 23, 1990**
- [52] U.S. Cl. .... **D24/129**
- [58] Field of Search ..... **D24/129; 128/205.24,**  
**128/200.26, 207.14, 207.15, 207.29**

[56] **References Cited**  
**U.S. PATENT DOCUMENTS**

D. 245,120	7/1977	Katerndahi .....	D24/117
2,786,469	3/1957	Cohen .....	128/207.14 X
3,587,589	6/1971	Ebner .....	128/207.14
4,278,081	7/1981	Jones .....	128/207.15
4,909,248	3/1990	McLennan Anderson ...	128/207.14

*Primary Examiner*—Stella Reid  
*Assistant Examiner*—I. Simmons

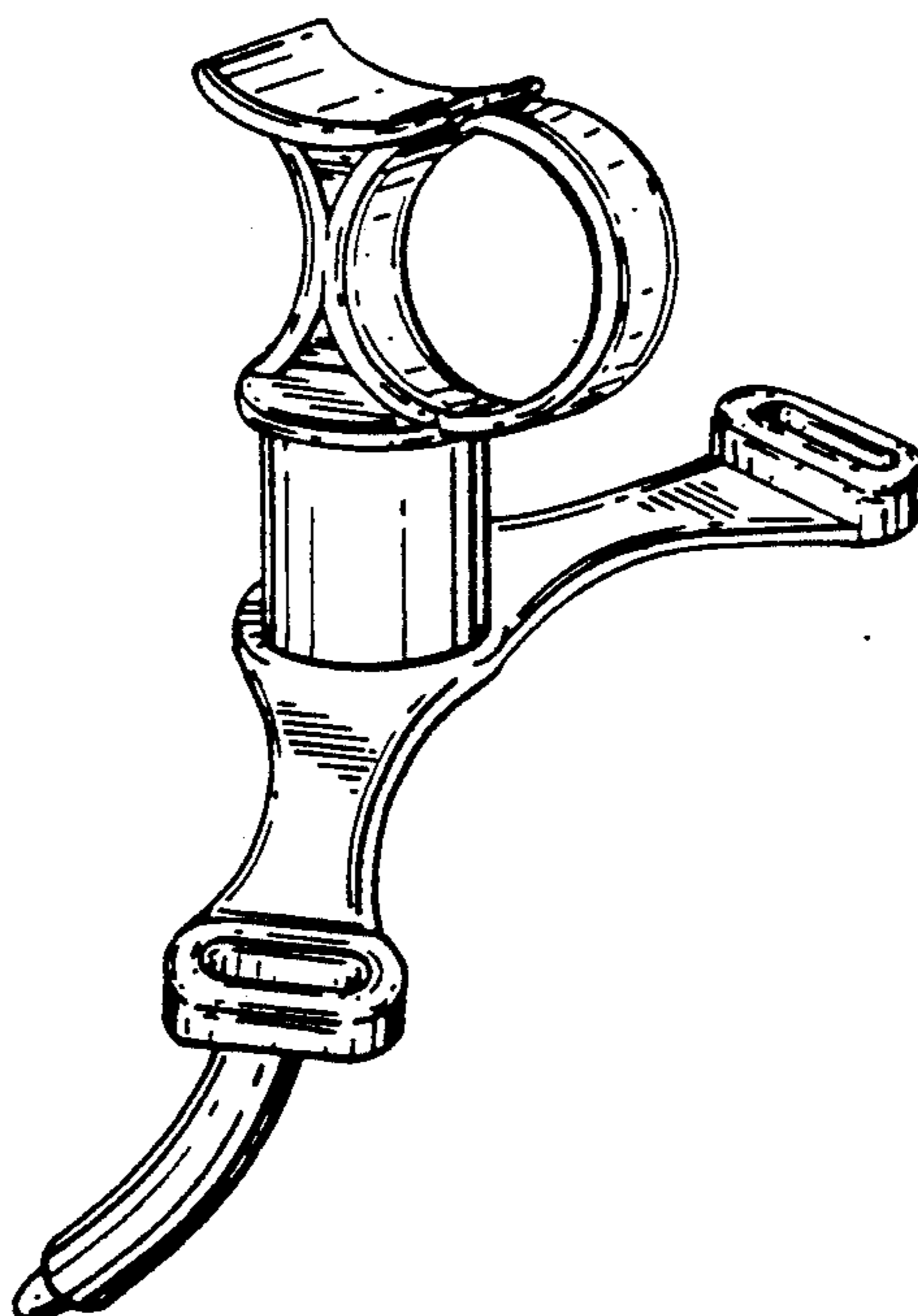
*Attorney, Agent, or Firm*—Kane, Dalsimer, Sullivan,  
Kurucz, Levy, Eisele and Richard

[57] **CLAIM**

The ornamental design for the pediatric tracheostomy tube, as shown and described.

**DESCRIPTION**

FIG. 1 is an exploded perspective view of a pediatric tracheostomy tube, showing our new design in disassembled condition;  
 FIG. 2 is a perspective view thereof, in assembled condition;  
 FIG. 3 is a top plan view thereof in disassembled condition;  
 FIG. 4 is a bottom plan view thereof, in assembled condition;  
 FIG. 5 is a front elevational view thereof, in assembled condition;  
 FIG. 6 is a rear elevational view thereof in assembled condition;  
 FIG. 7 is a side elevational view thereof, in assembled condition, the opposite side elevational view being identical; and,  
 FIG. 8 is a front elevational view of the insert portion shown in FIG. 1.



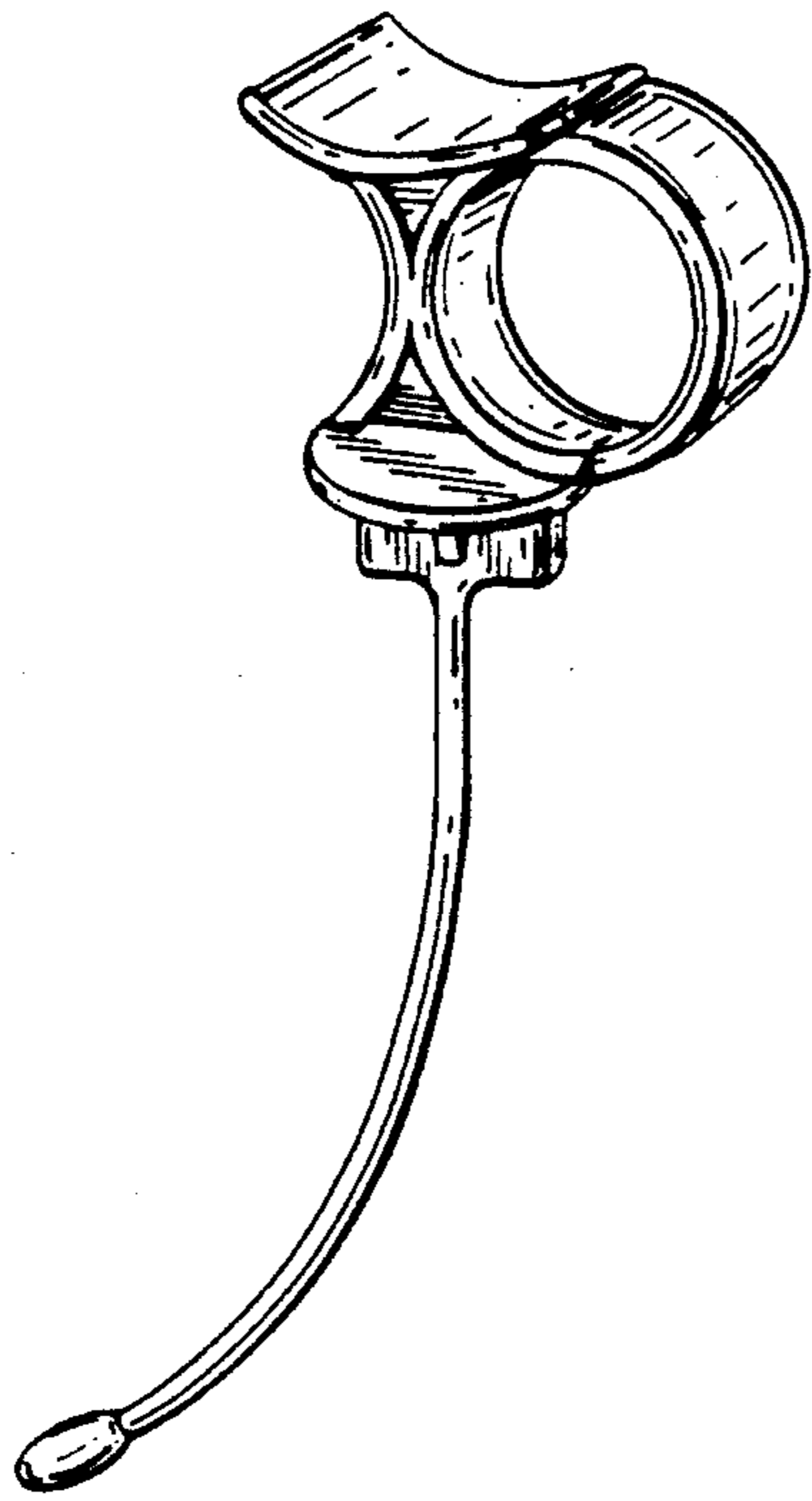


FIG. 1

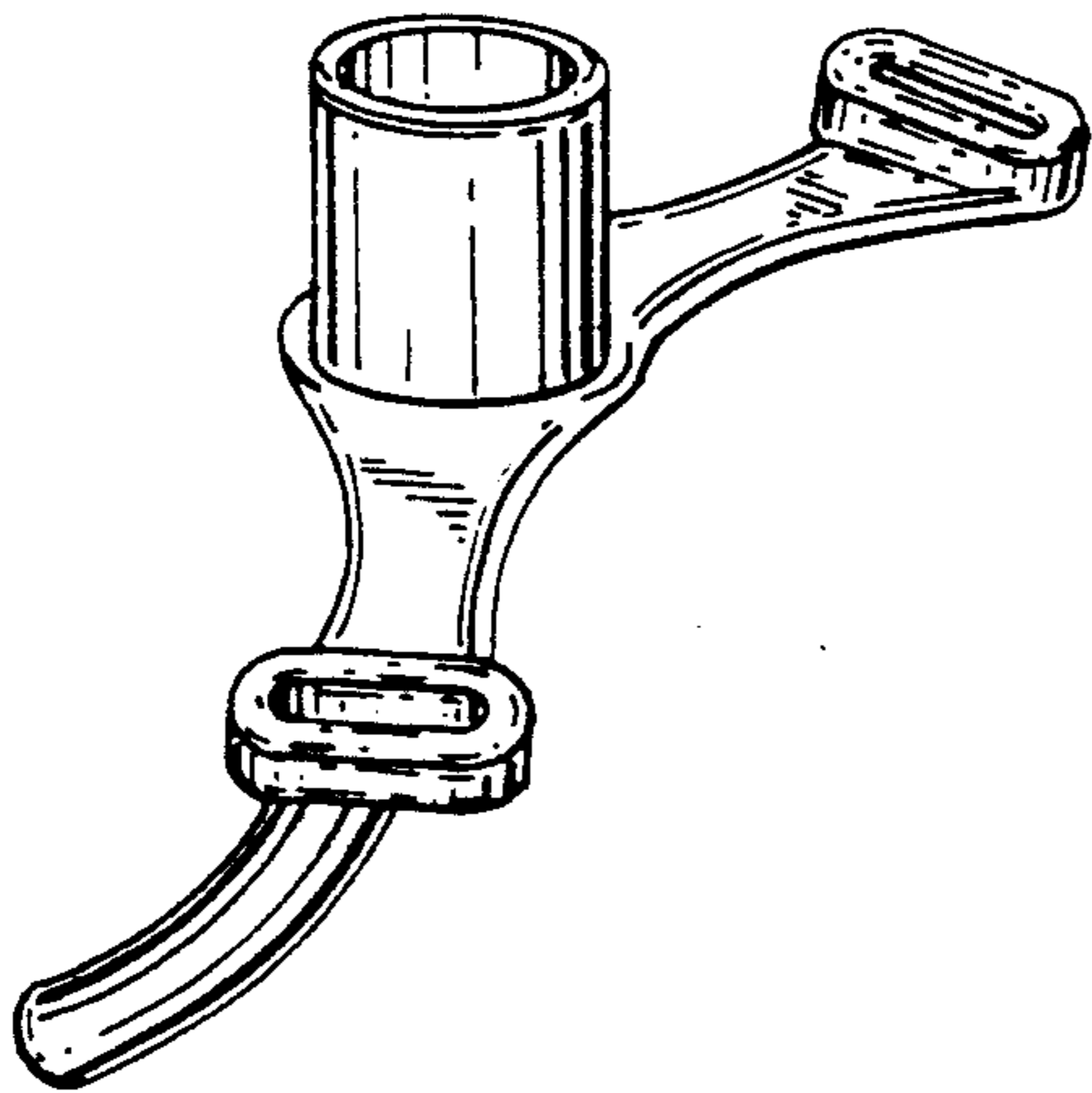
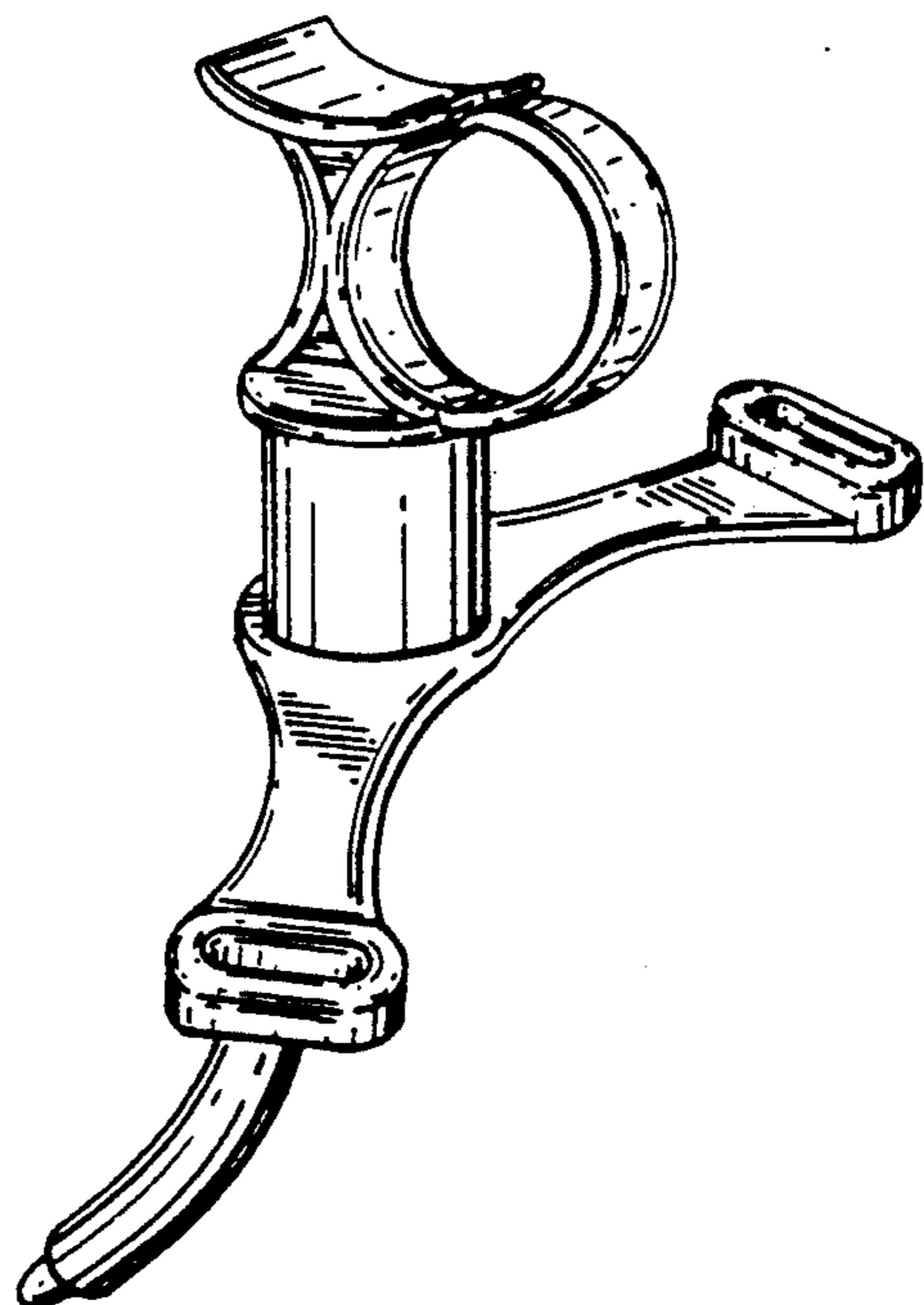


FIG. 2



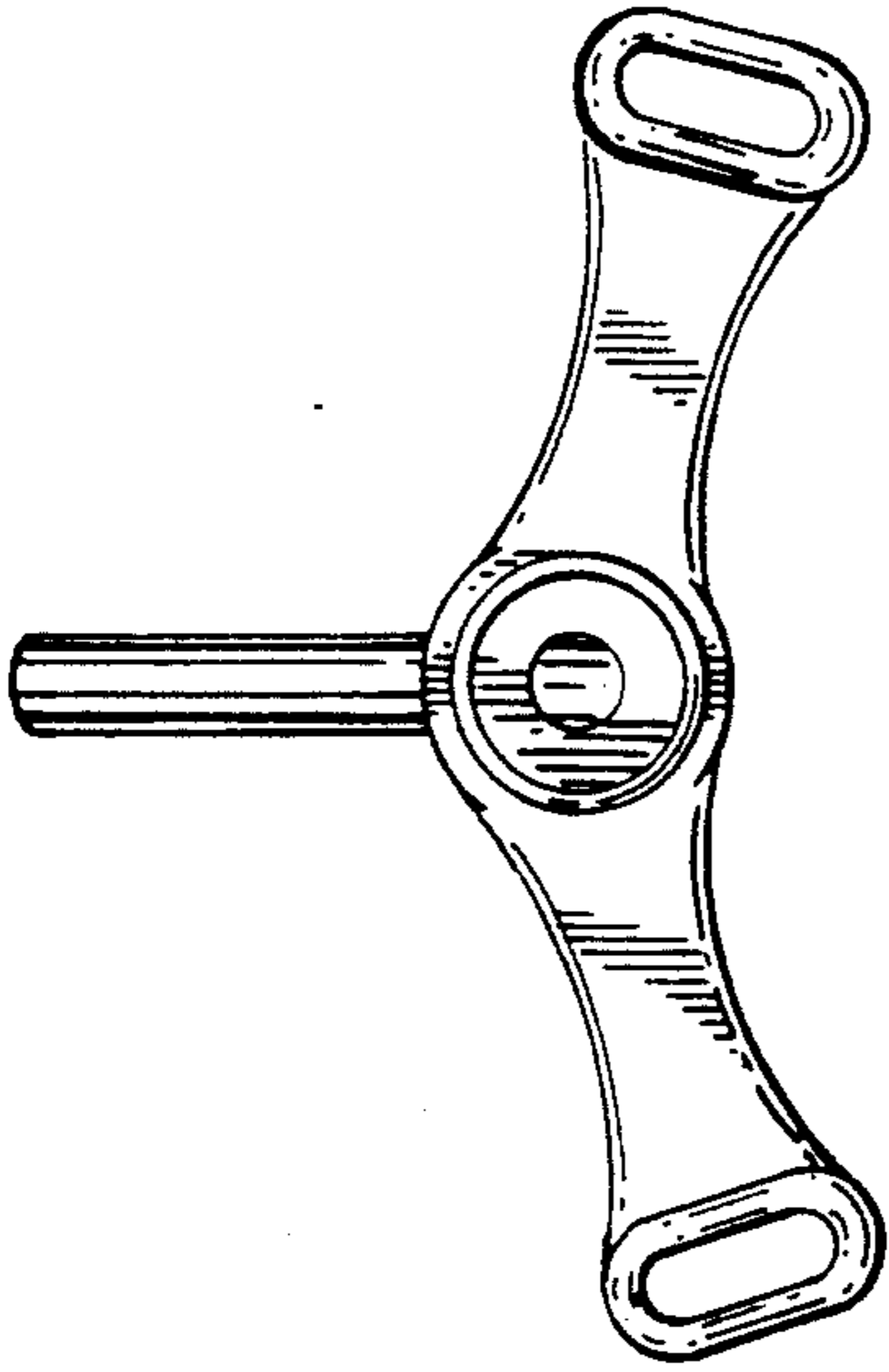


FIG. 3

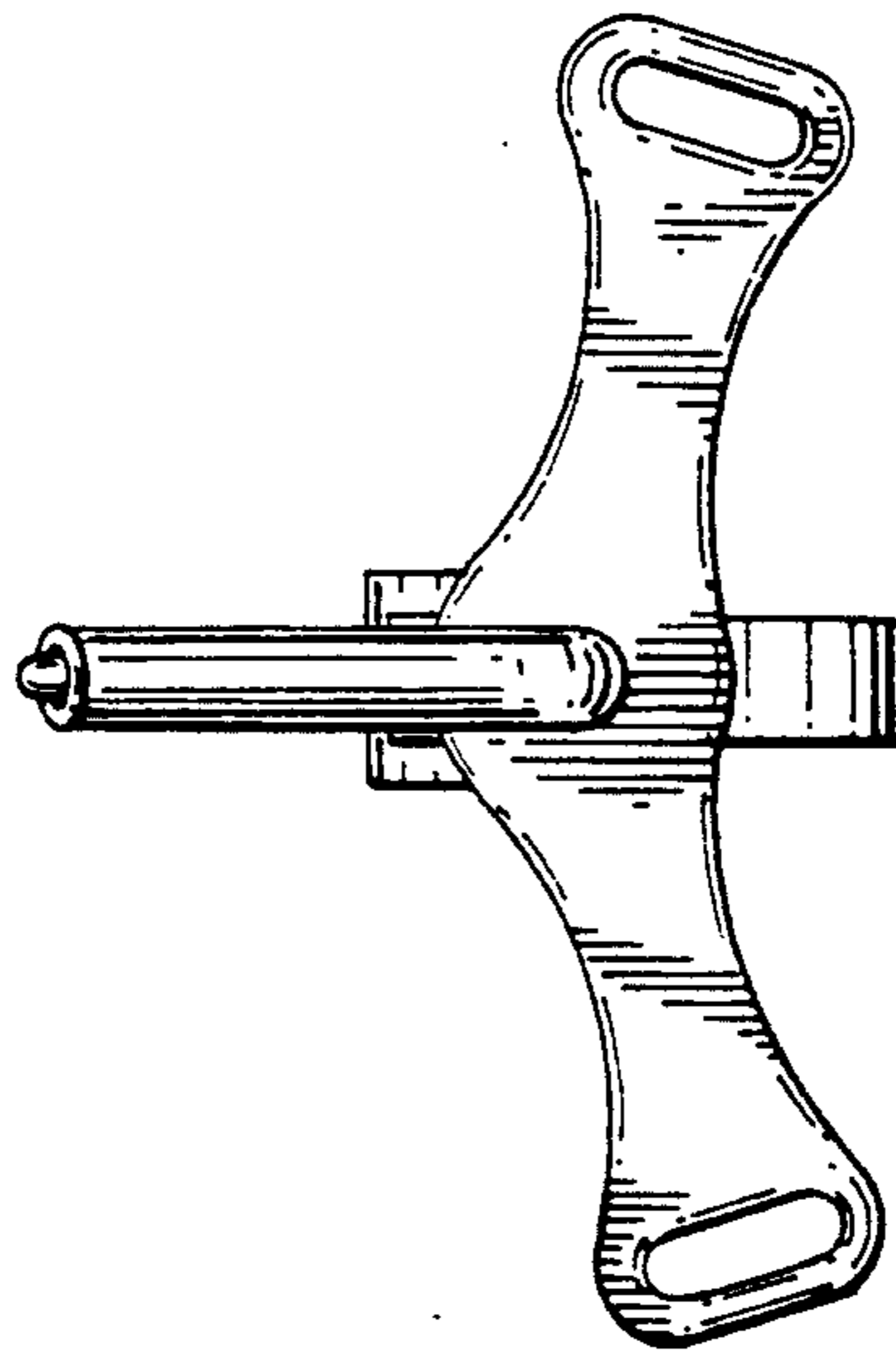


FIG. 4

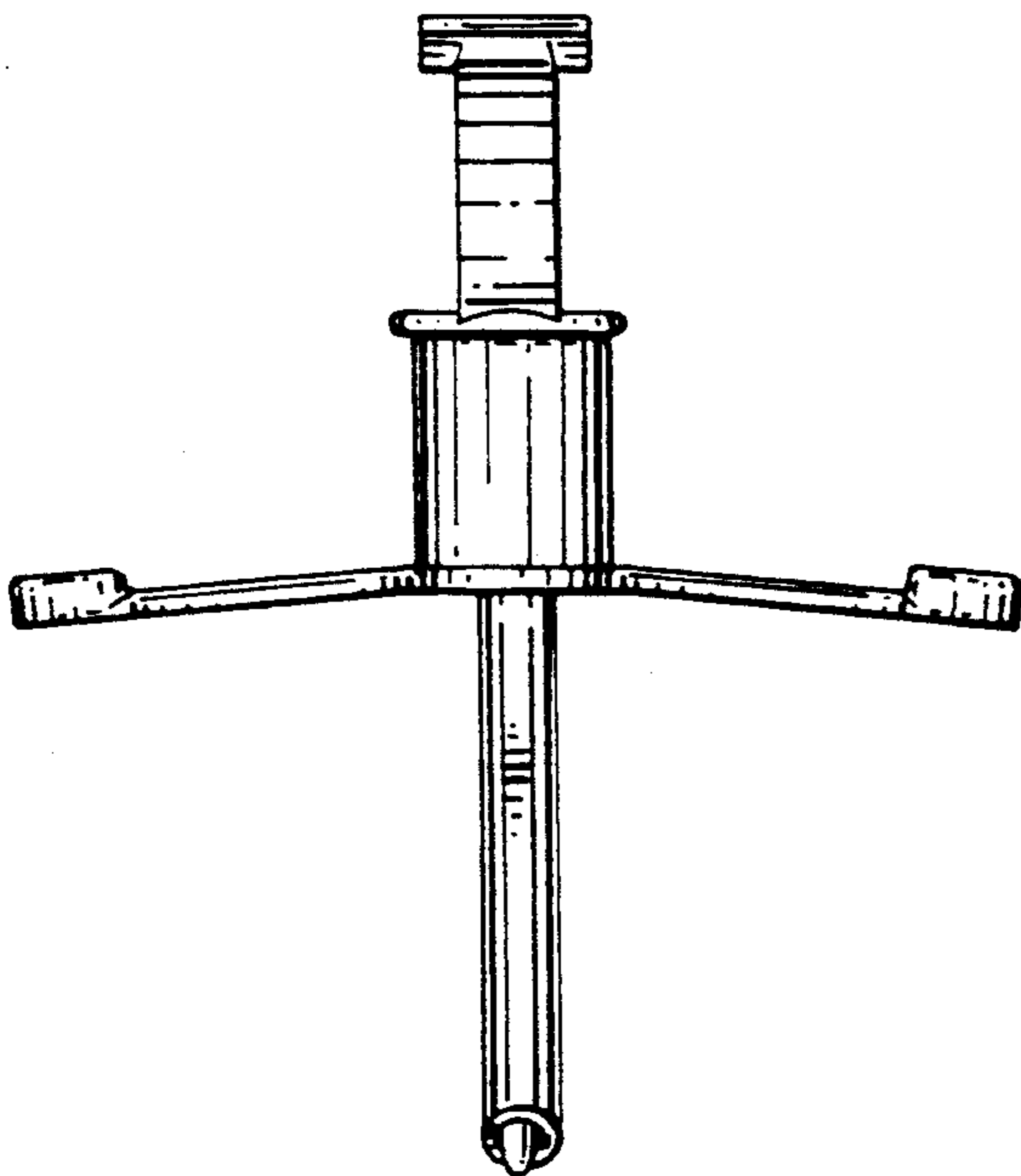


FIG. 5

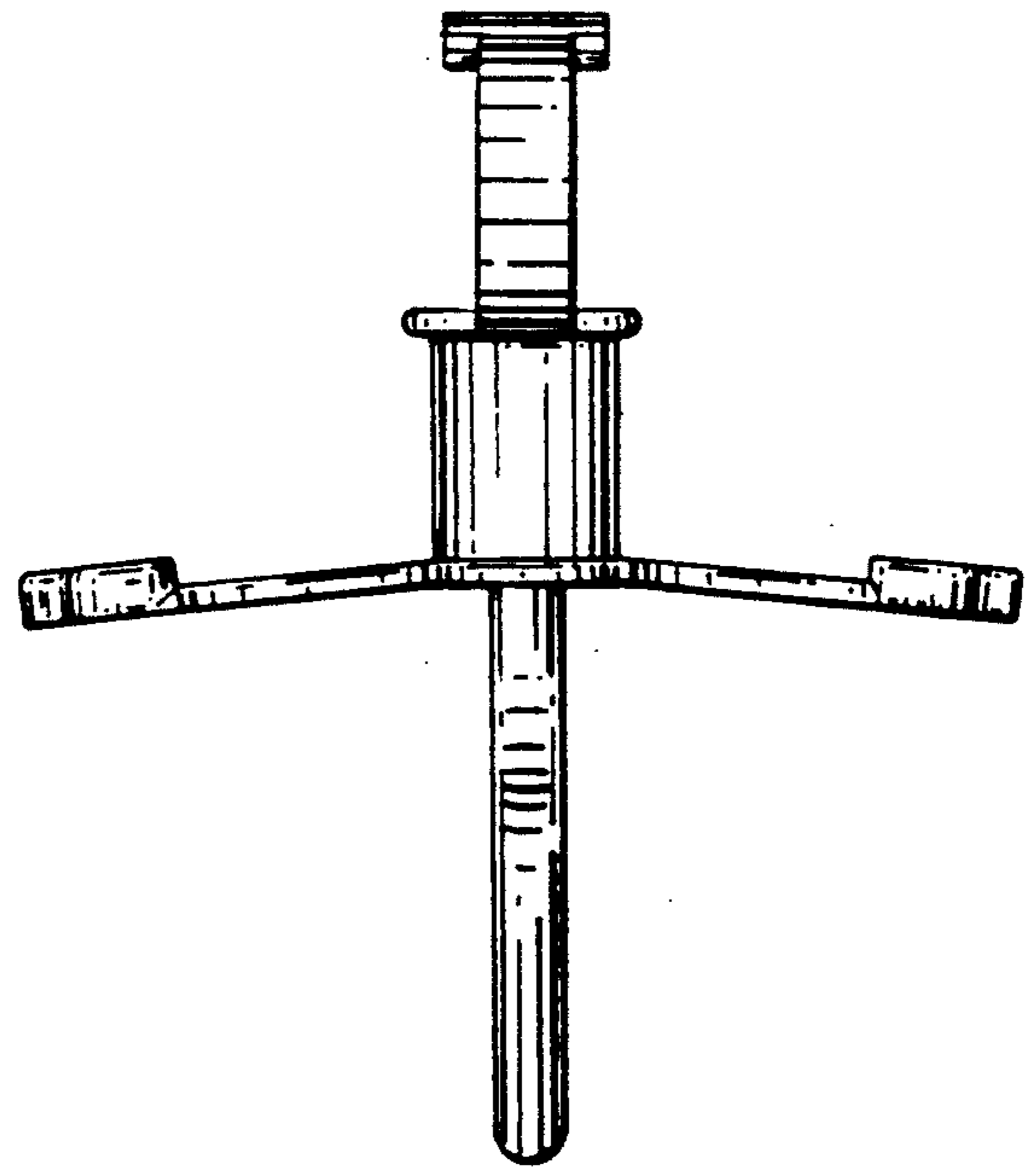


FIG. 6

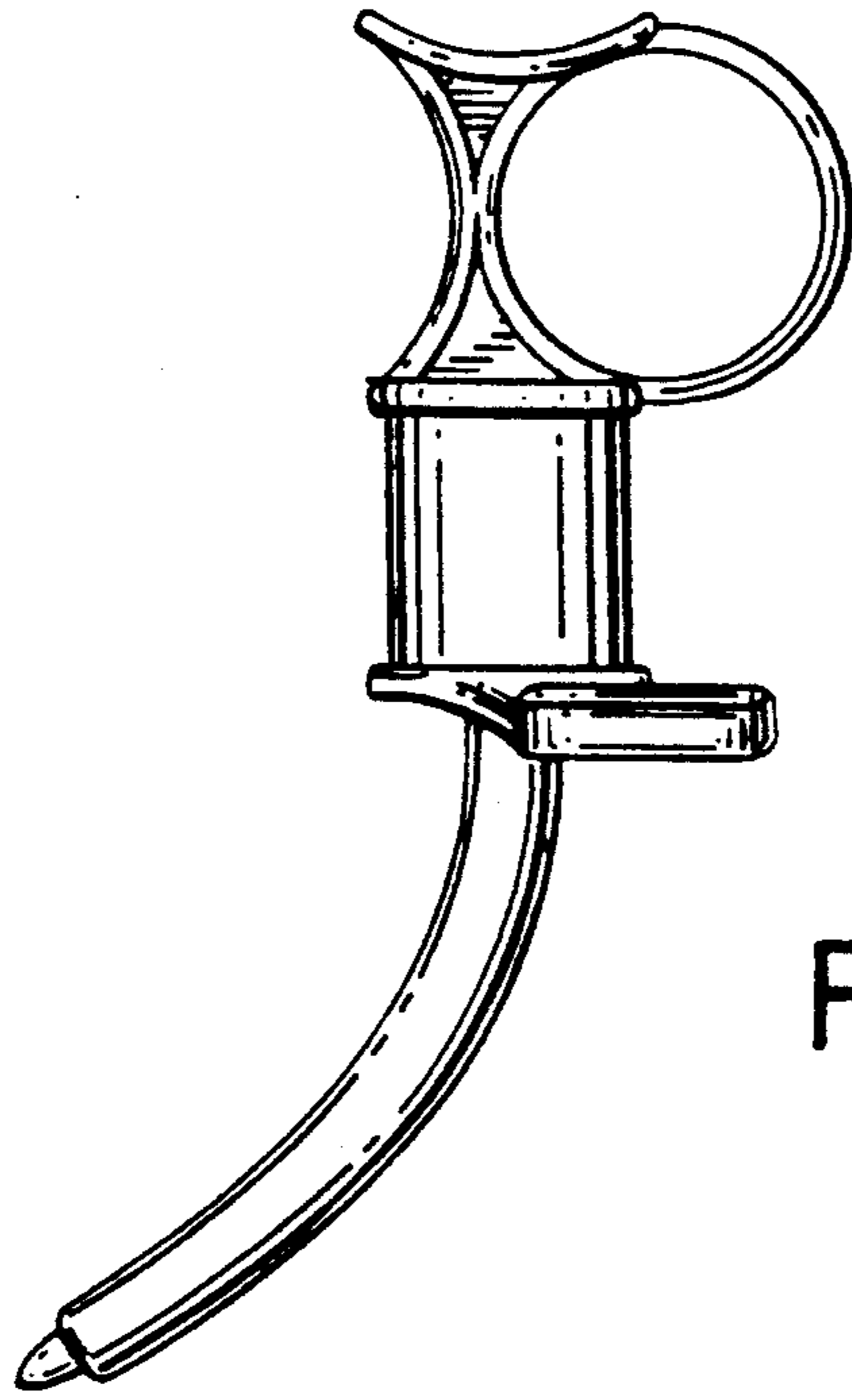


FIG. 7

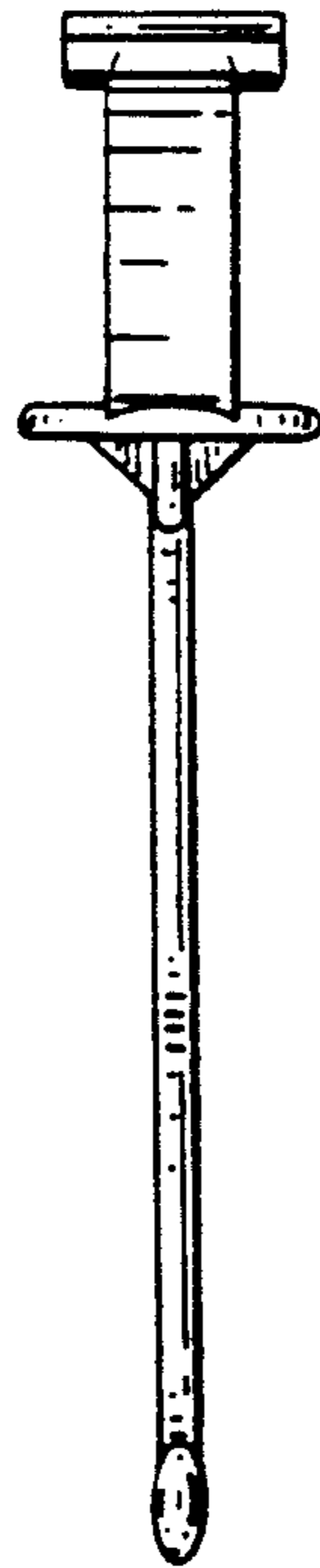


FIG. 8