



US00D332132S

United States Patent [19]

[11] Patent Number: **Des. 332,132**

Corcoran

[45] Date of Patent: **** Dec. 29, 1992**

[54] **COMBINED LAWN BORDER AND SPRINKLER**

4,281,473 8/1981 Emalfarb et al. 239/201 X
4,702,034 10/1987 Ferguson et al. 239/276 X
4,824,019 4/1989 Lew 239/201

[76] Inventor: **Joseph M. Corcoran, 1549 3rd St.,
P.O. Box 881, Havre, Mont. 59501**

Primary Examiner—Susan J. Lucas
Assistant Examiner—M. H. Tung
Attorney, Agent, or Firm—Terry M. Gernstein

[**] Term: **14 Years**

[57] **CLAIM**

[21] Appl. No.: **620,290**

The ornamental design for a combined lawn border and sprinkler, as shown and described.

[22] Filed: **Nov. 30, 1990**

[52] U.S. Cl. **D23/217**

[58] Field of Search **D23/213-218;**
239/226, 547, 63-64, 286, 200-202, 211, 273,
275, 390-392, 456, 468, 505, DIG. 1

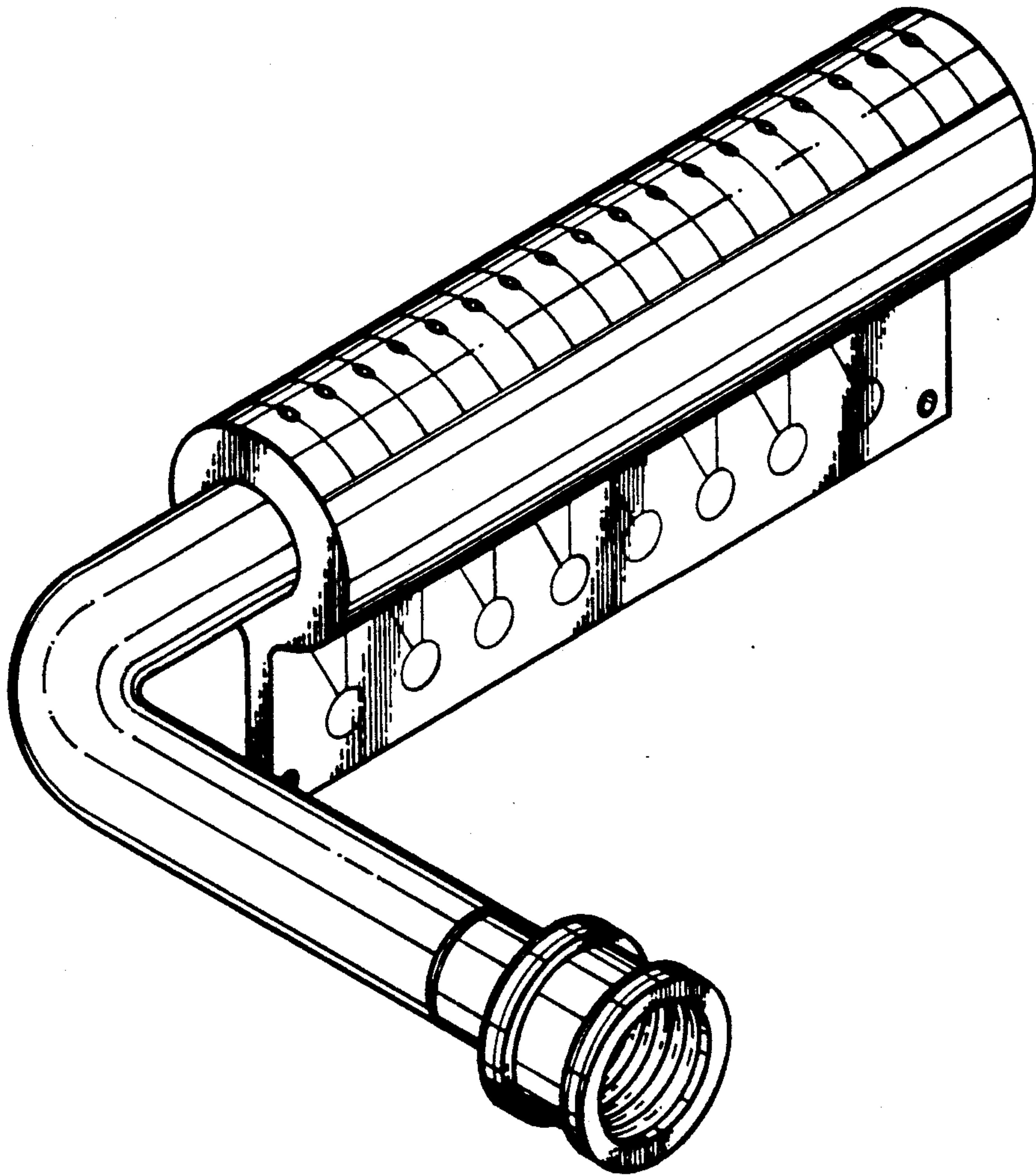
DESCRIPTION

FIG. 1 is a perspective view of a combined lawn border and sprinkler showing my new design;
FIG. 2 is a front elevational view thereof;
FIG. 3 is a rear elevational view thereof;
FIG. 4 is a end elevational view thereof;
FIG. 5 is an opposite end elevational view thereof;
FIG. 6 is a top plan view thereof;
FIG. 7 is a bottom view thereof;
FIG. 8 is a perspective view of a coupling; and,
FIG. 9 is a perspective view of a coupling.

[56] **References Cited**

U.S. PATENT DOCUMENTS

902,863 11/1908 Danow 239/273
3,387,786 6/1968 Rynberk 239/201
3,485,449 12/1969 Wilson .
3,933,311 1/1976 Lemelson 239/276
4,235,380 11/1980 Delmer .



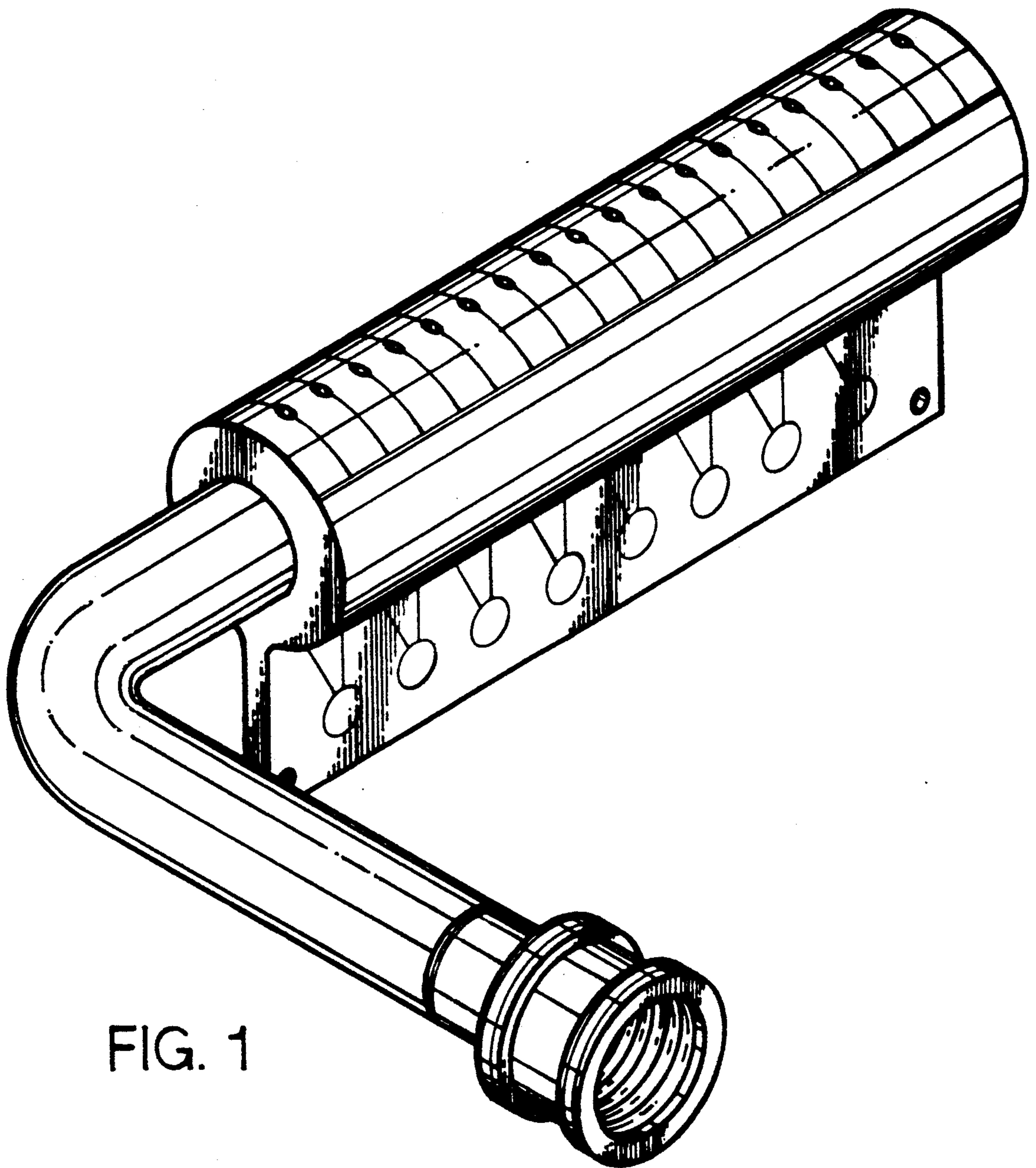


FIG. 1

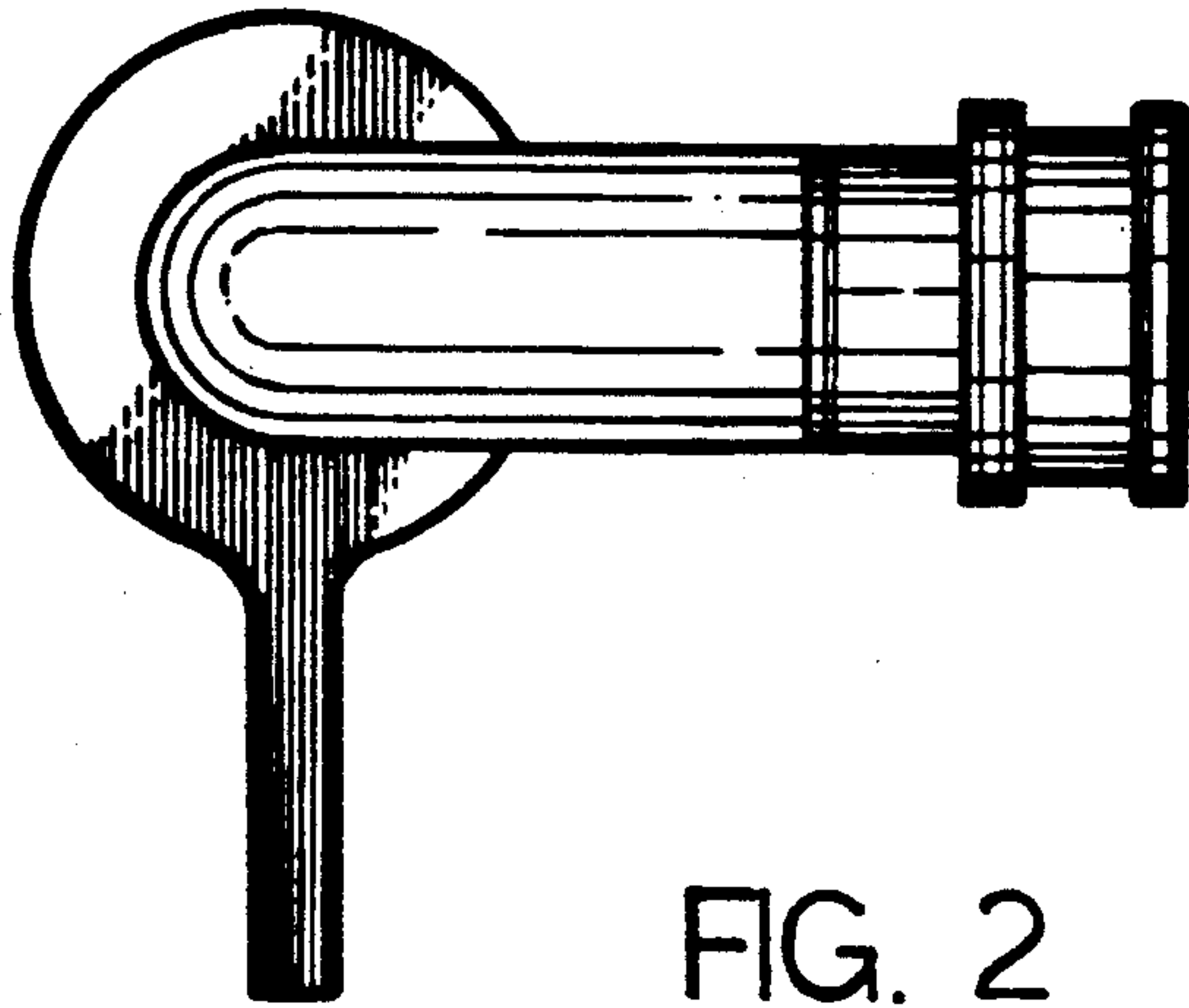


FIG. 2

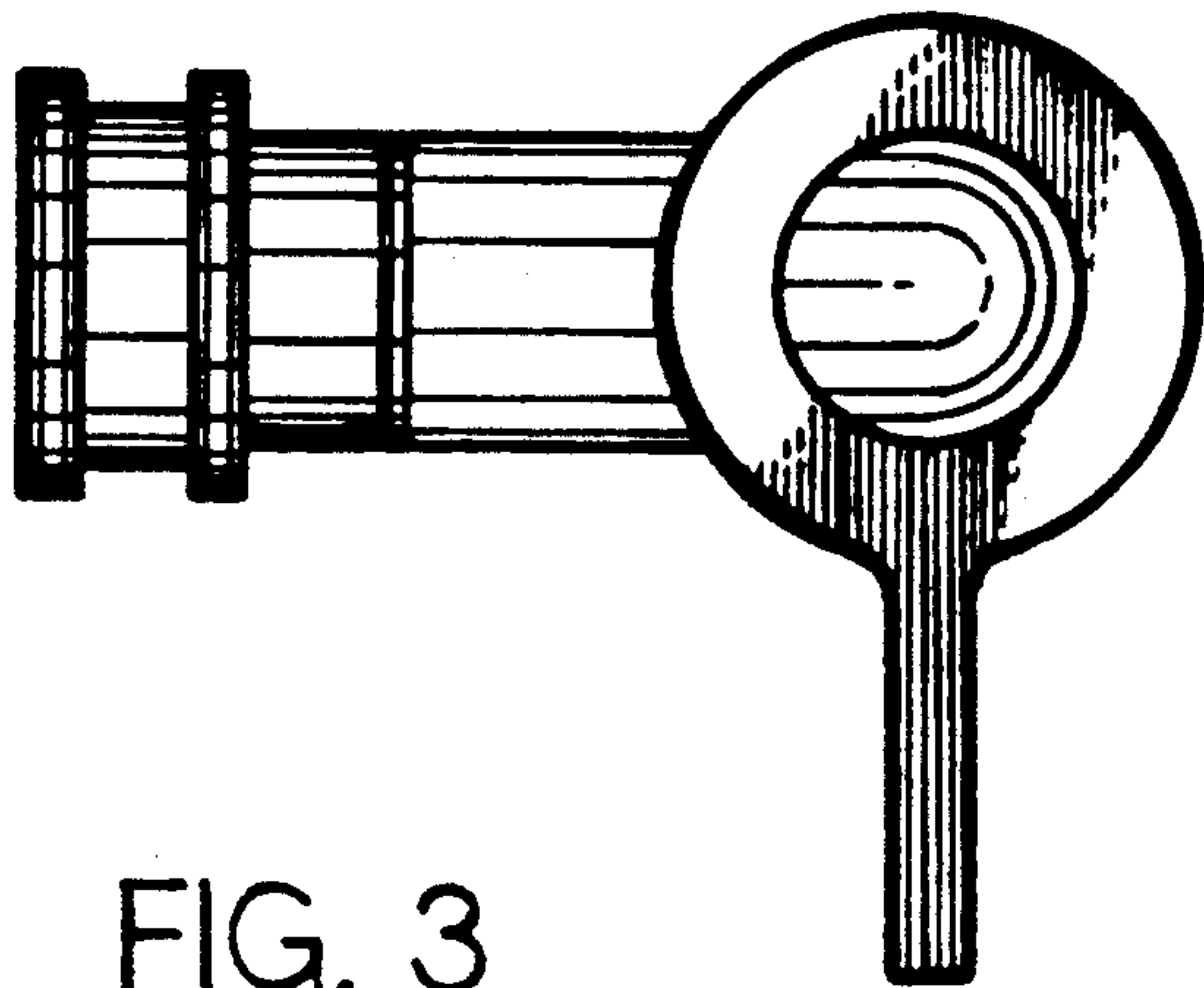


FIG. 3

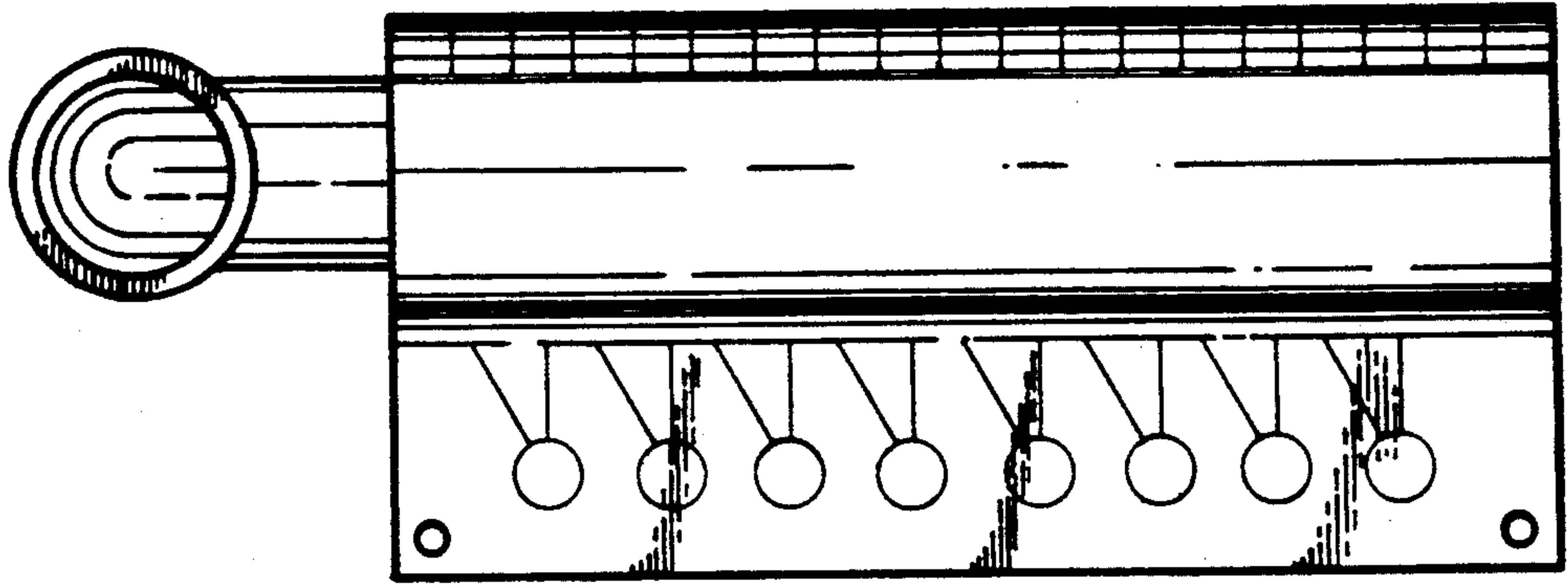
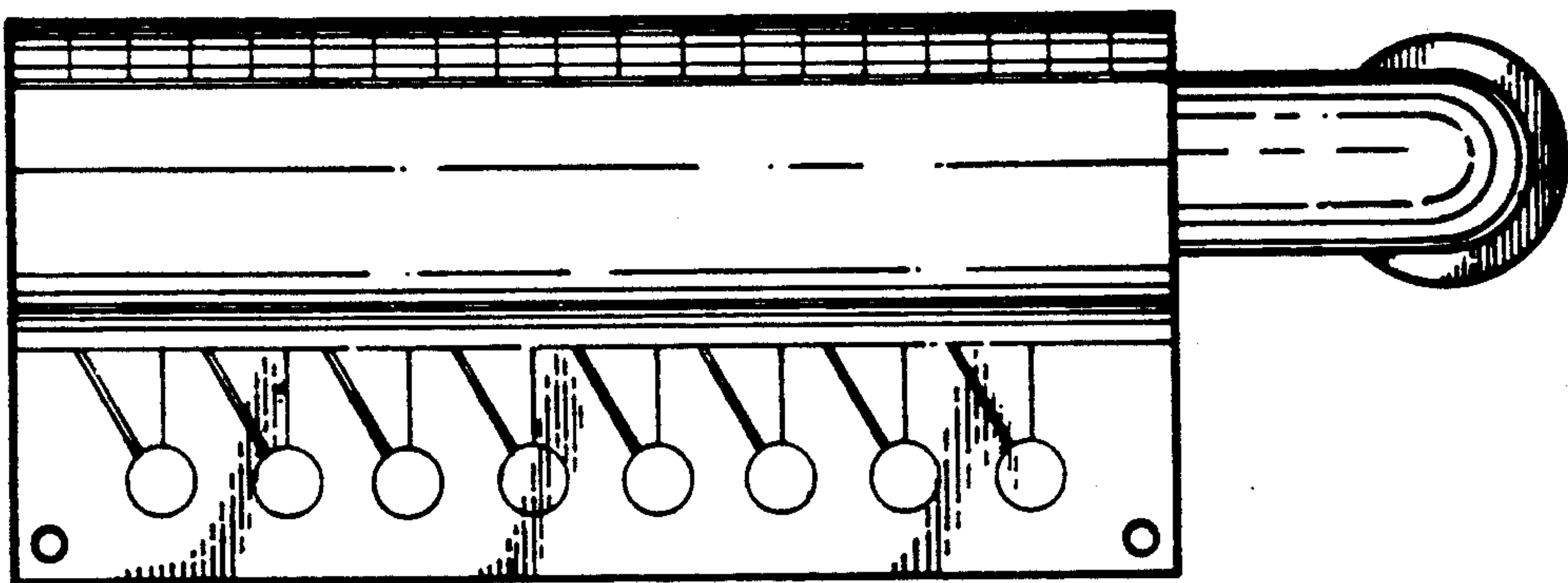


FIG. 4

FIG. 5



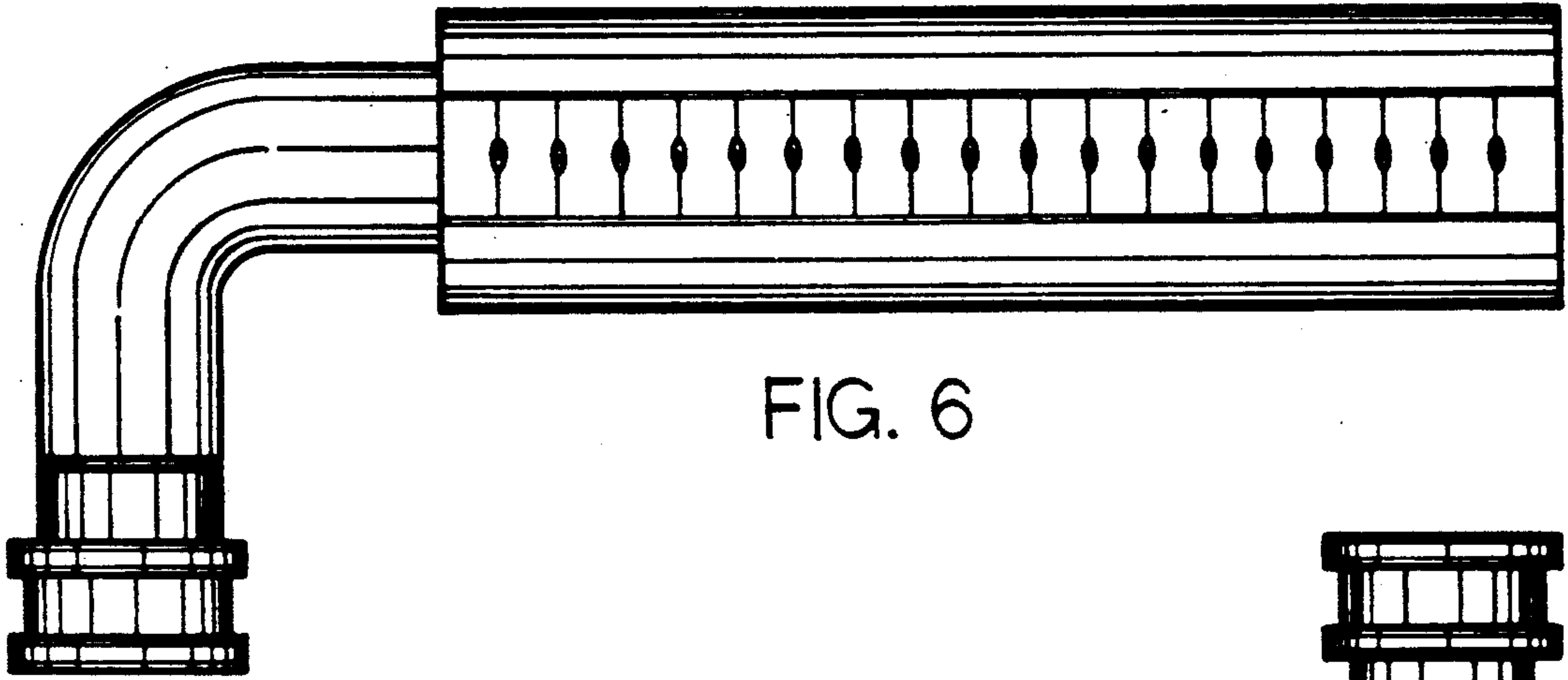


FIG. 6

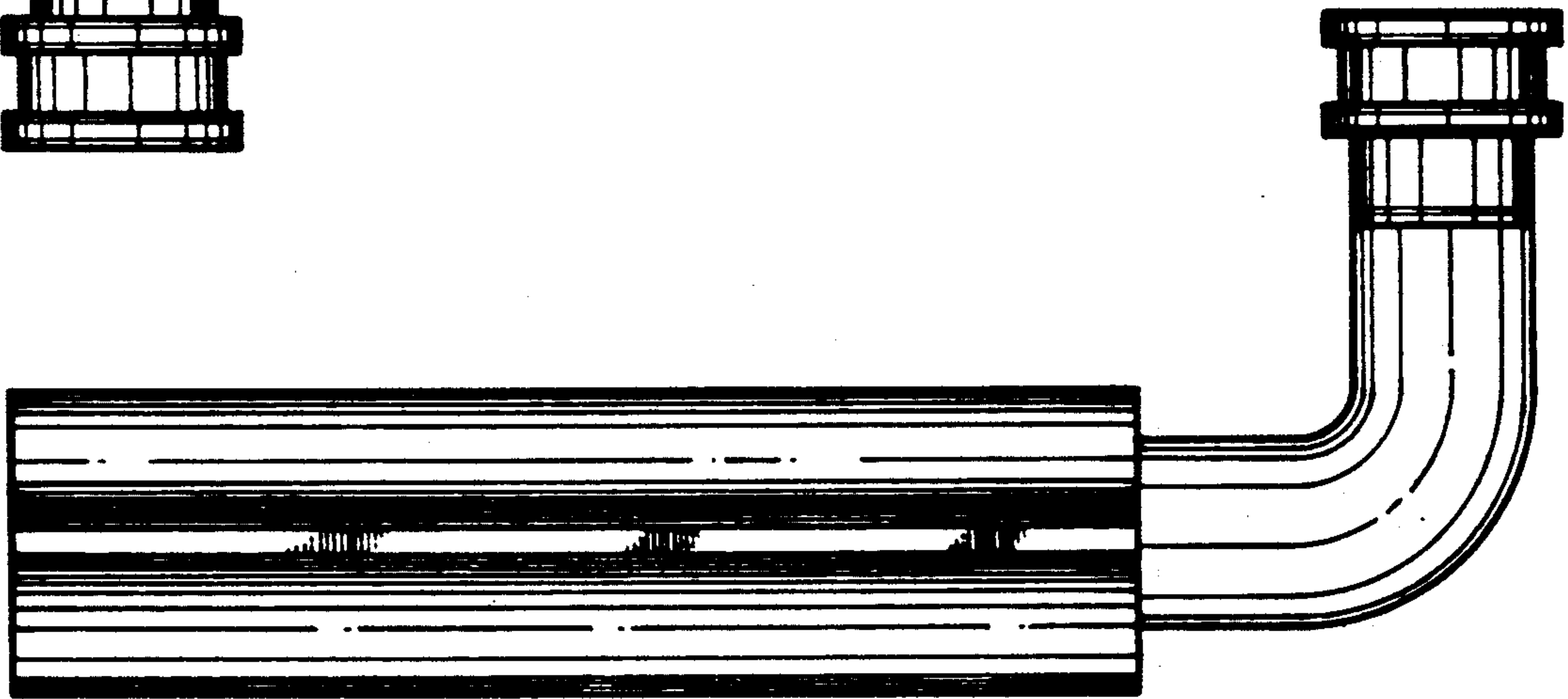


FIG. 7