



US00D332131S

United States Patent [19] Chez

[11] Patent Number: Des. 332,131

[45] Date of Patent: ** Dec. 29, 1992

[54] WATER FILTER HOUSING

[75] Inventor: David A. Chez, Phoenix, Ariz.

[73] Assignee: Marie Reames, Edmond, Okla.

[**] Term: 14 Years

[21] Appl. No.: 625,605

[22] Filed: Dec. 11, 1990

[52] U.S. Cl. D23/209

[58] Field of Search D23/200, 207-210;
210/198.1, 205-206, 231, 244-246, 257.1, 257.2,
258, 260-261, 275, 282, 287-290, 295, 321.6,
321.78, 348, 416.3, 443-449

[56] References Cited

U.S. PATENT DOCUMENTS

D. 262,987	2/1982	Carpenter	D23/207
D. 279,027	5/1985	Weisenbarger et al.	D23/207
D. 290,386	6/1987	Padilla	D23/207
D. 318,092	7/1991	Ferguson	D23/209
D. 323,203	1/1992	Pedersen	D23/209

3,342,335 9/1967 Gamundi et al. 210/244 X

Primary Examiner—Susan J. Lucas
Assistant Examiner—M. H. Tung
Attorney, Agent, or Firm—Charles E. Cates

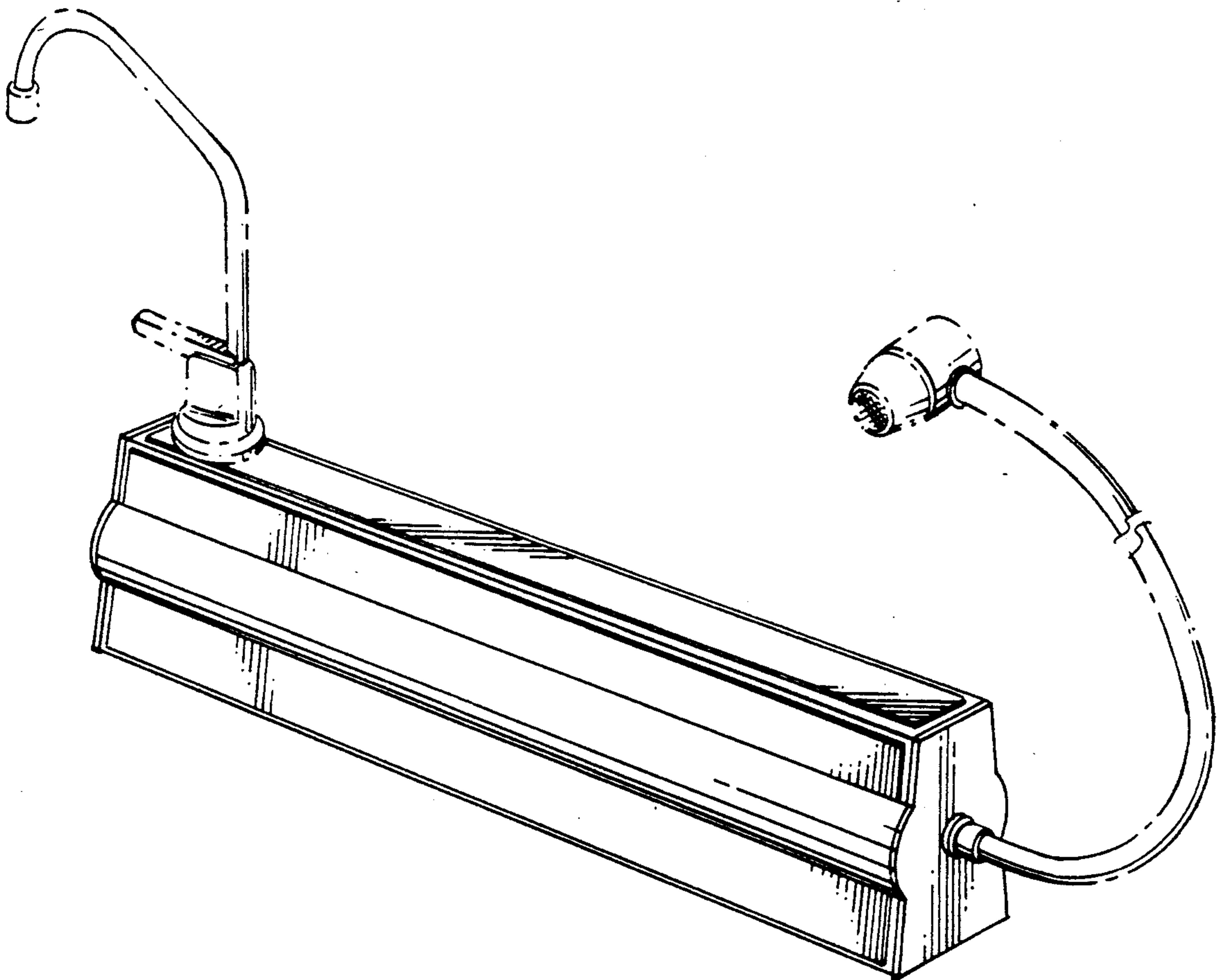
[57] CLAIM

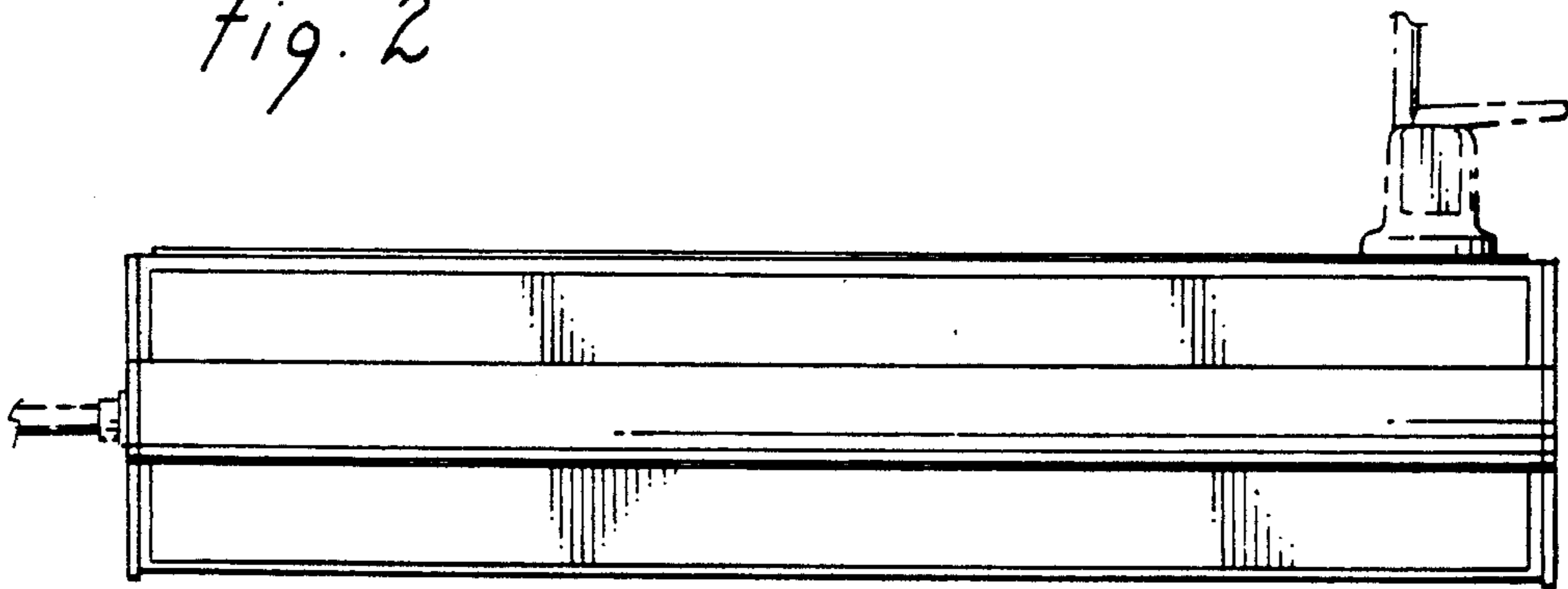
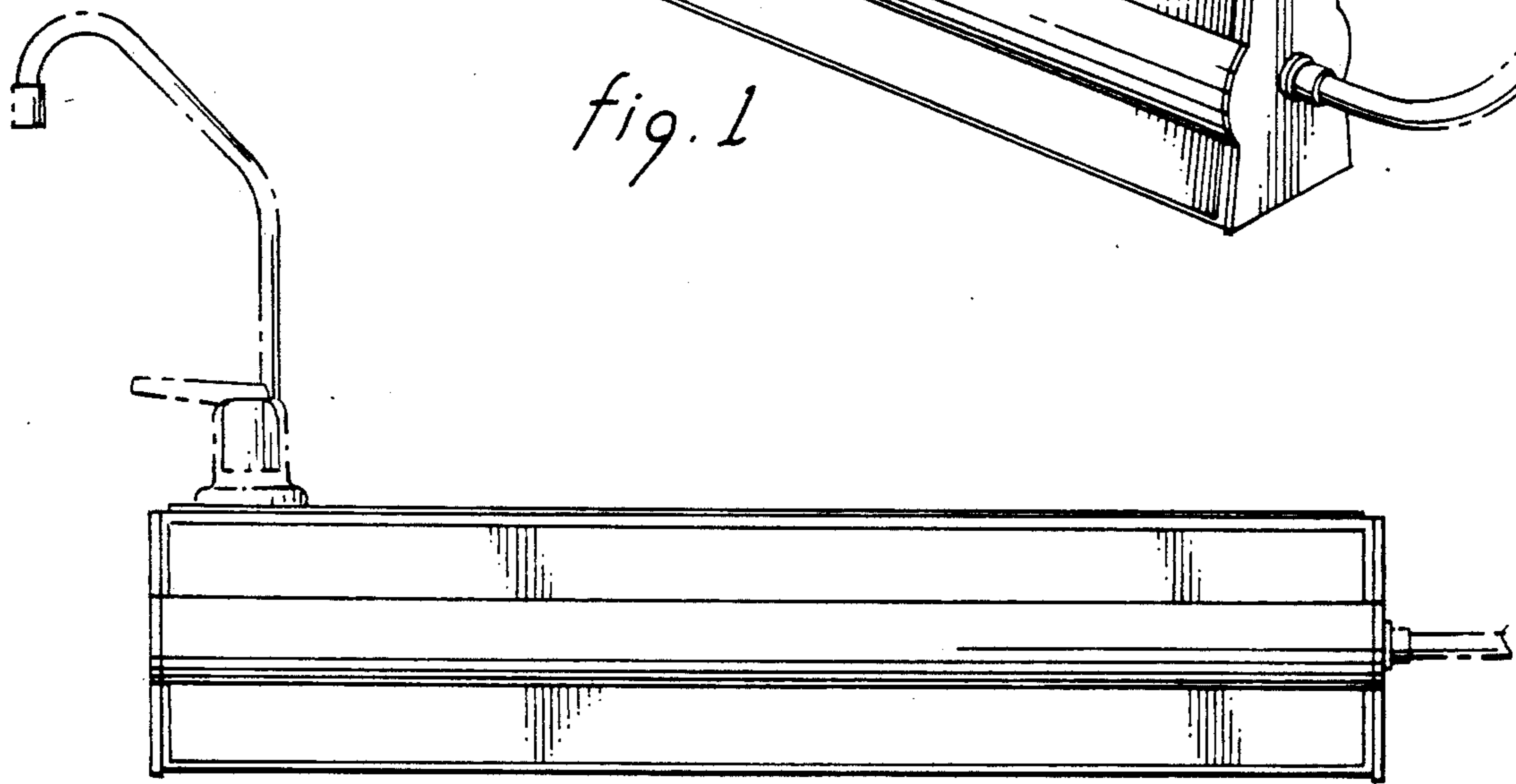
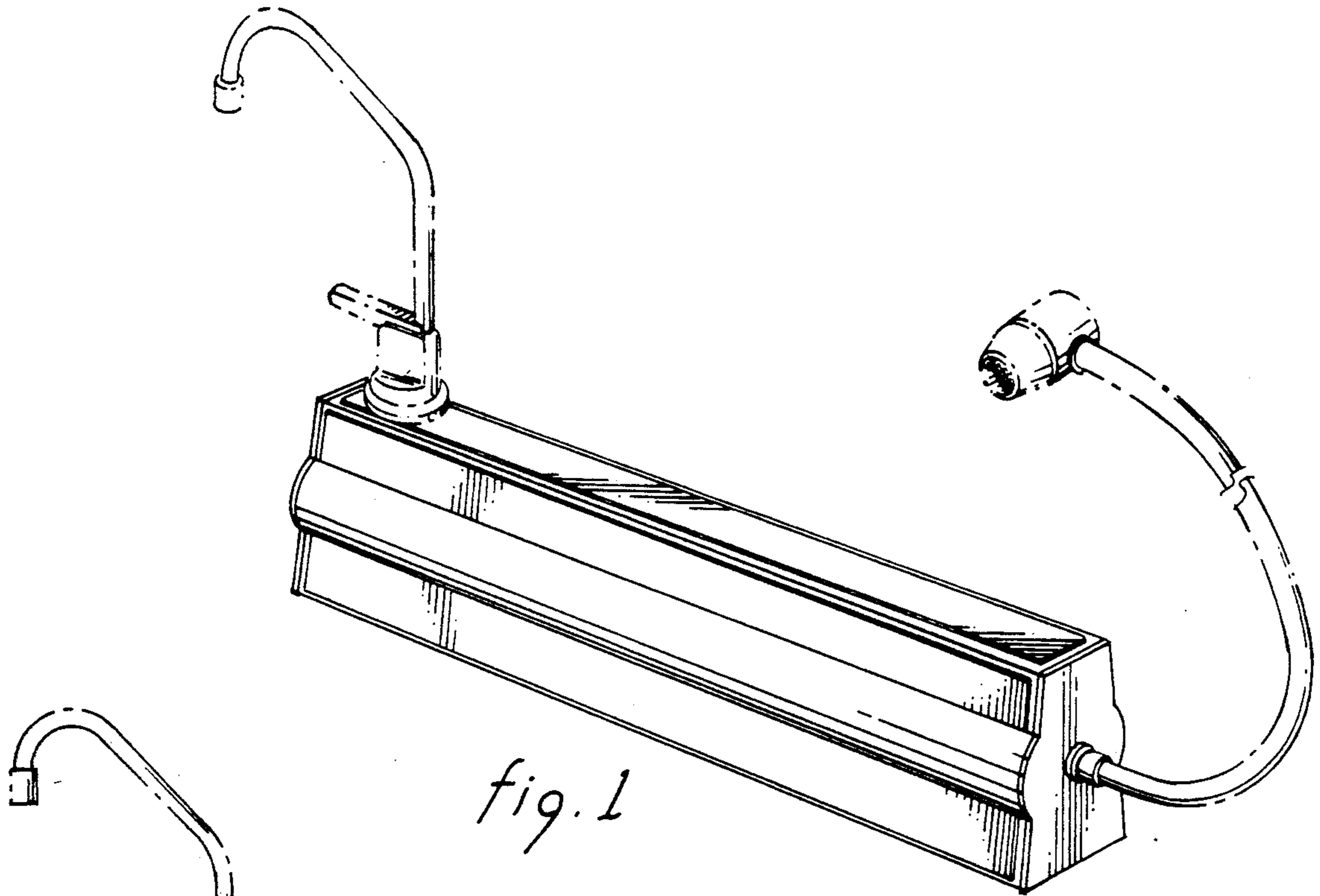
The ornamental design for a water filter housing, as shown and described.

DESCRIPTION

FIG. 1 is a top, right perspective view of a water filter housing showing my new design;
FIG. 2 is a front elevational view thereof;
FIG. 3 is a rear elevational view thereof;
FIG. 4 is a top plan view thereof;
FIG. 5 is a bottom plan view thereof;
FIG. 6 is a left end elevational view thereof, on an enlarged scale; and,
FIG. 7 is a right end elevational view thereof, on an enlarged scale.

The broken line drawings are for illustrative purposes only and form no part of the claimed design.





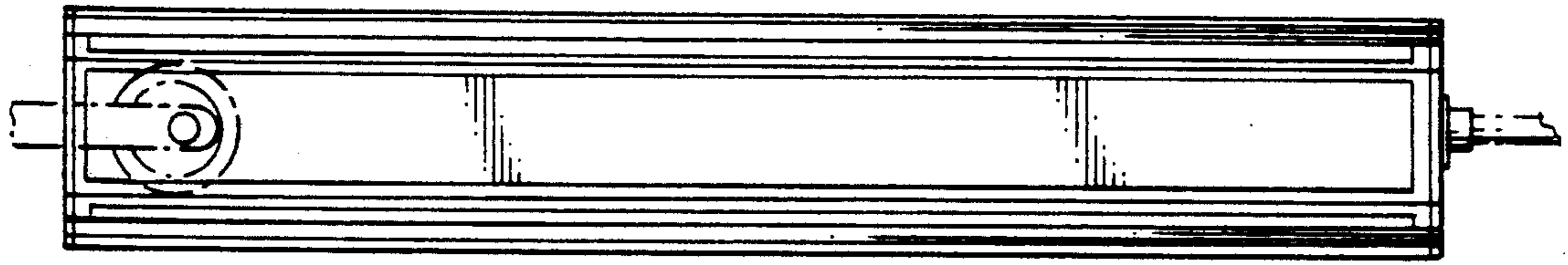


fig. 4

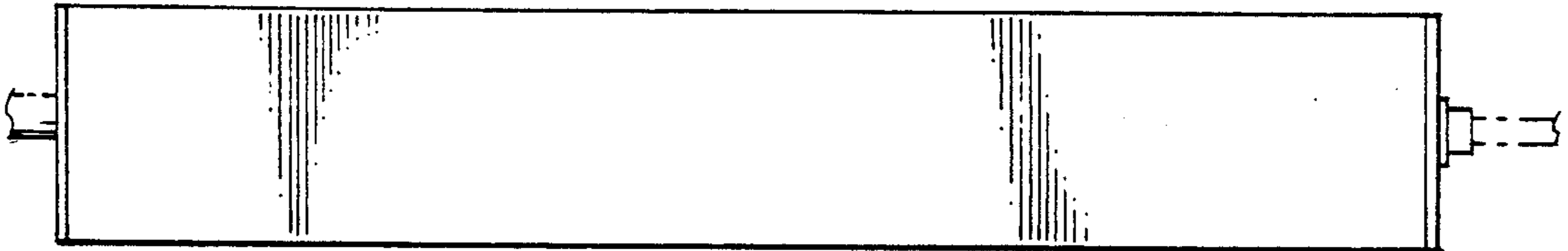


fig. 5

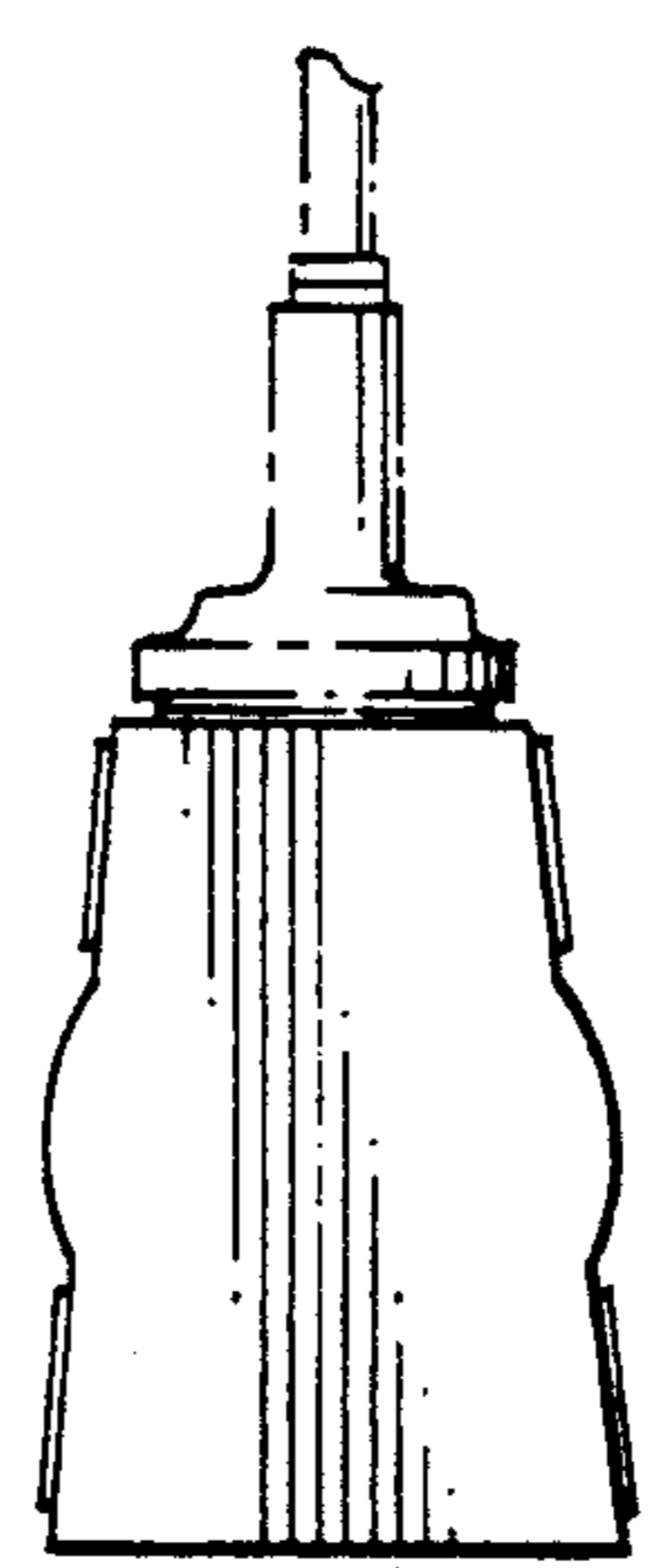


fig 6

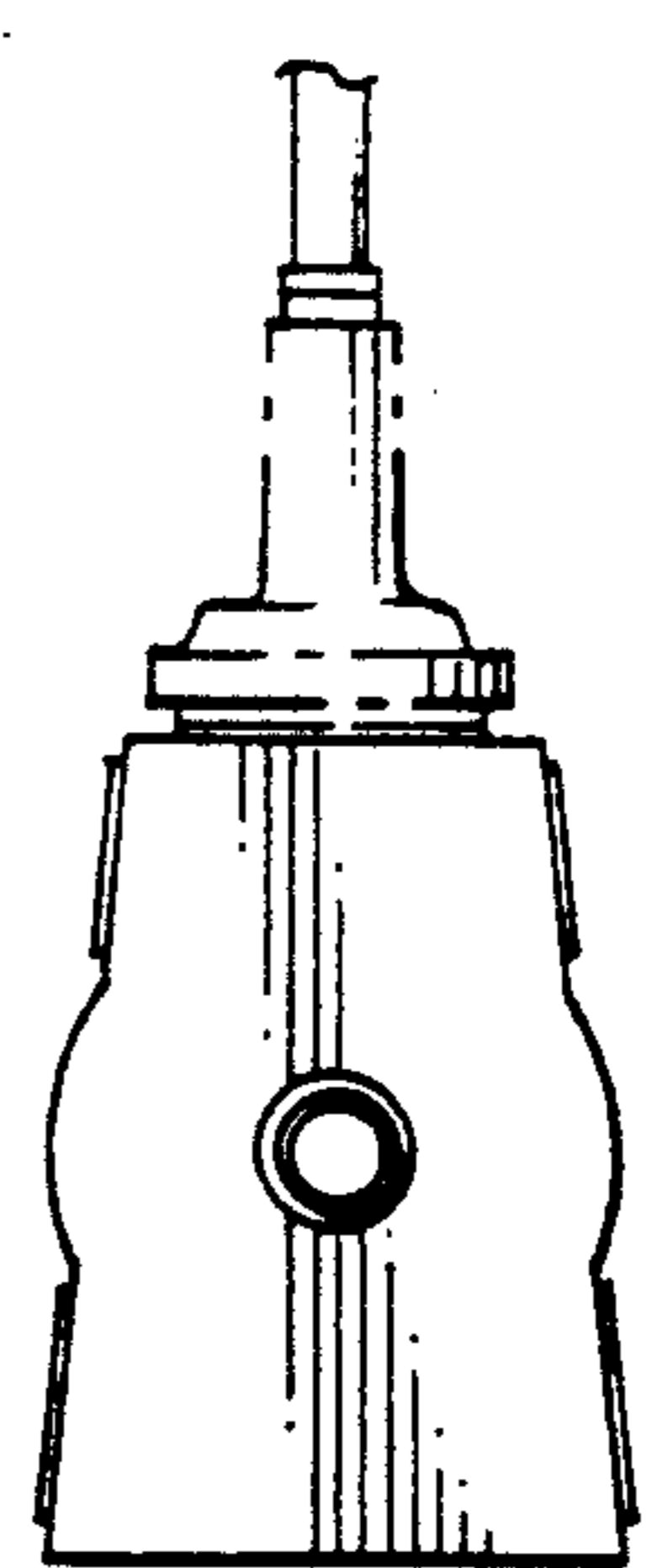


fig. 7