



US00D332124S

United States Patent [19]

Cooper

[11] Patent Number: **Des. 332,124**

[45] Date of Patent: **** Dec. 29, 1992**

[54] **SKI-TOW FIXTURE**

[75] Inventor: **Steven G. Cooper, Jeddo, Mich.**

[73] Assignee: **High Seas, Inc., Port Huron, Mich.**

[**] Term: **14 Years**

[21] Appl. No.: **706,061**

[22] Filed: **May 28, 1991**

[52] U.S. Cl. **D21/230**

[58] Field of Search **D21/230; 280/816, 811, 280/601, 809, 514, 815; 114/219, 249; 441/69**

[56] **References Cited**

U.S. PATENT DOCUMENTS

3,051,118	8/1962	Calk et al.	441/69
3,078,481	2/1963	Goldman	441/69
3,227,126	1/1966	Etzler	441/69

4,378,750	4/1983	Holzhauser	114/249
4,738,216	4/1988	Camarota et al.	114/219

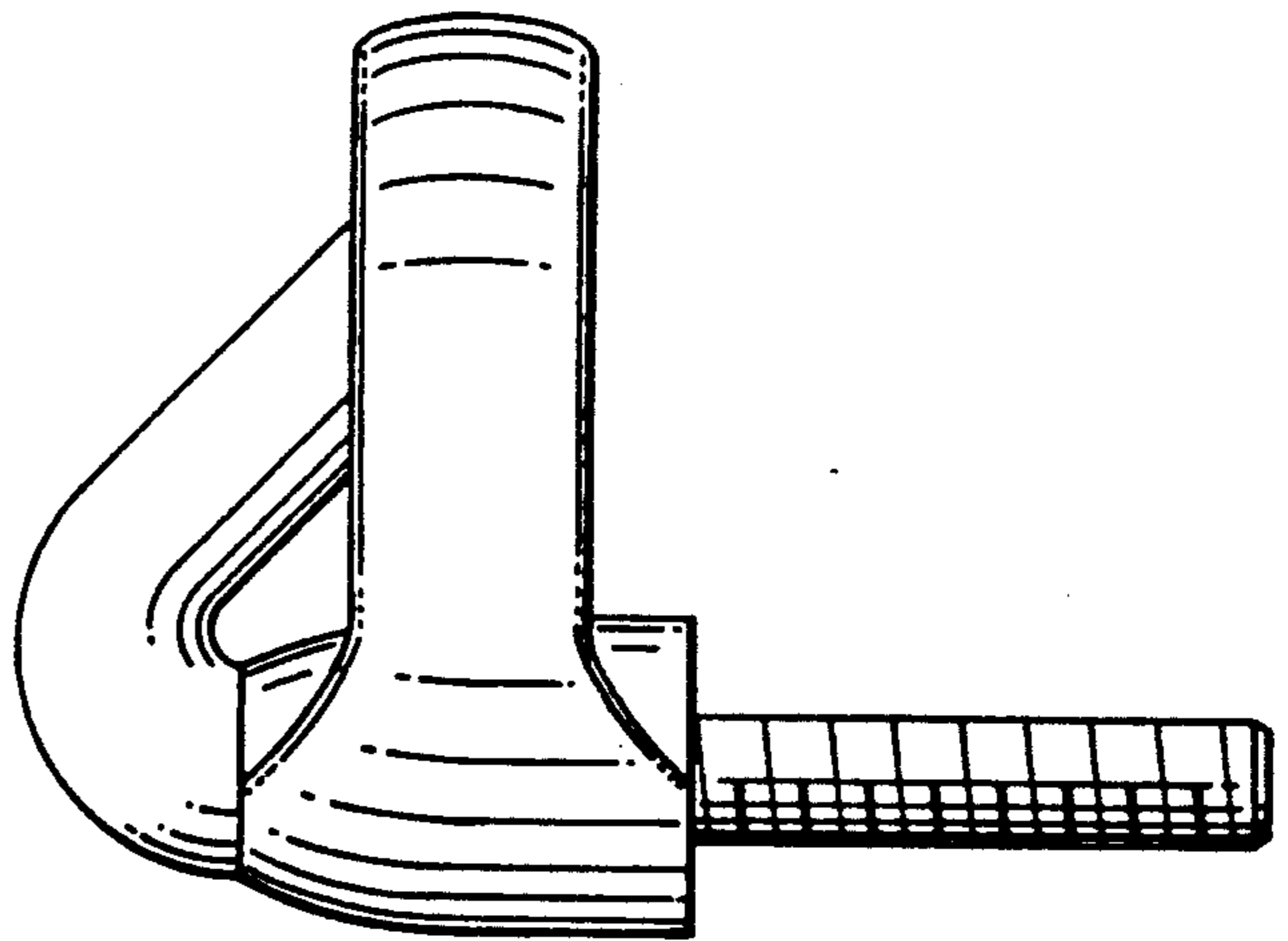
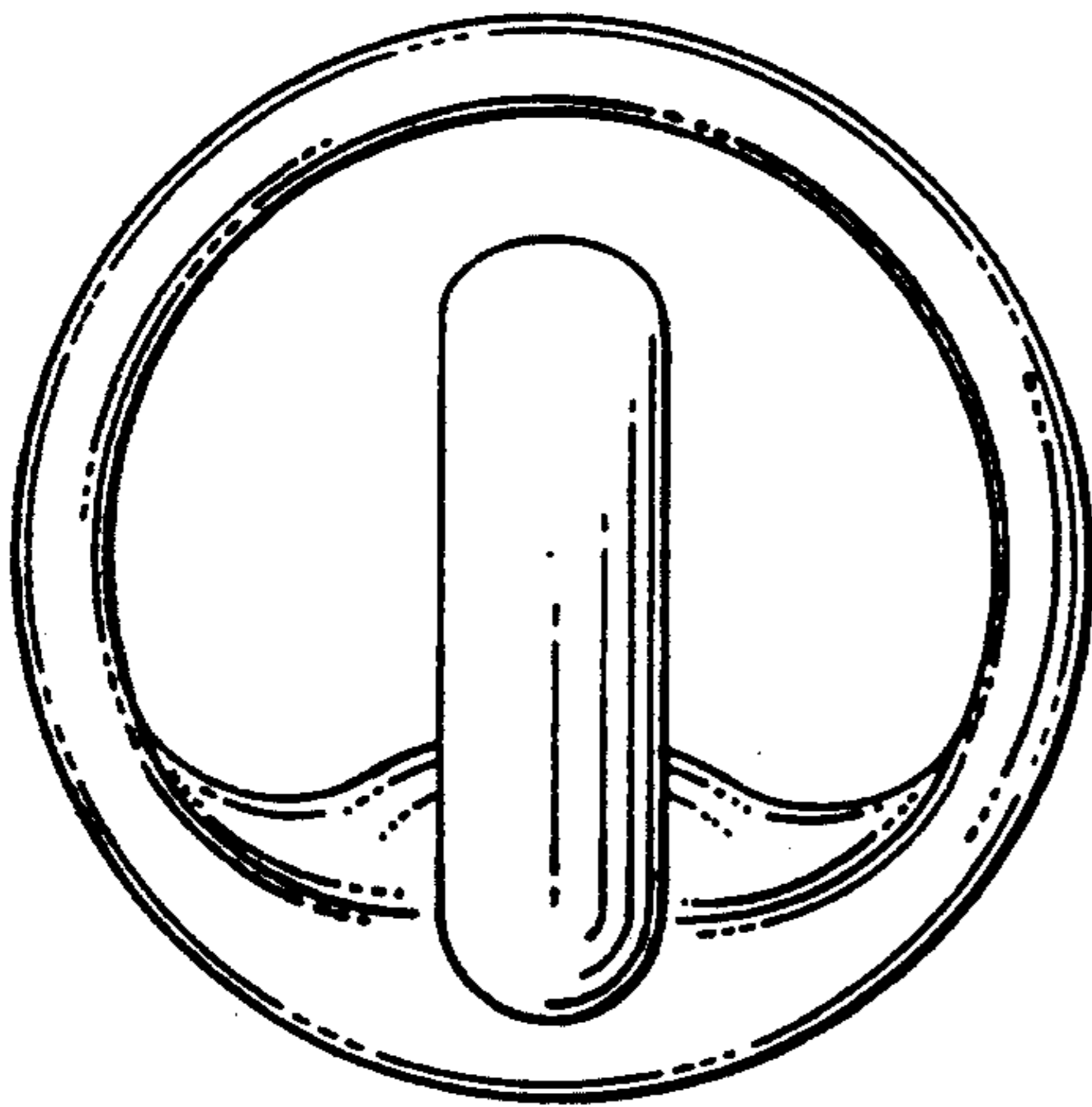
Primary Examiner—Kay H. Chin
Attorney, Agent, or Firm—Barnes, Kisselle, Raisch, Choate, Whittemore & Hulbert

[57] **CLAIM**

The ornamental design for a ski-tow fixture, as shown and described.

DESCRIPTION

FIG. 1 is a front elevational view of a ski-tow fixture showing my new design;
FIG. 2 is a side elevational view thereof, the opposite side elevational view being a mirror image of that shown;
FIG. 3 is a top plan view thereof;
FIG. 4 is a rear elevational view thereof; and,
FIG. 5 is a bottom plan view thereof.



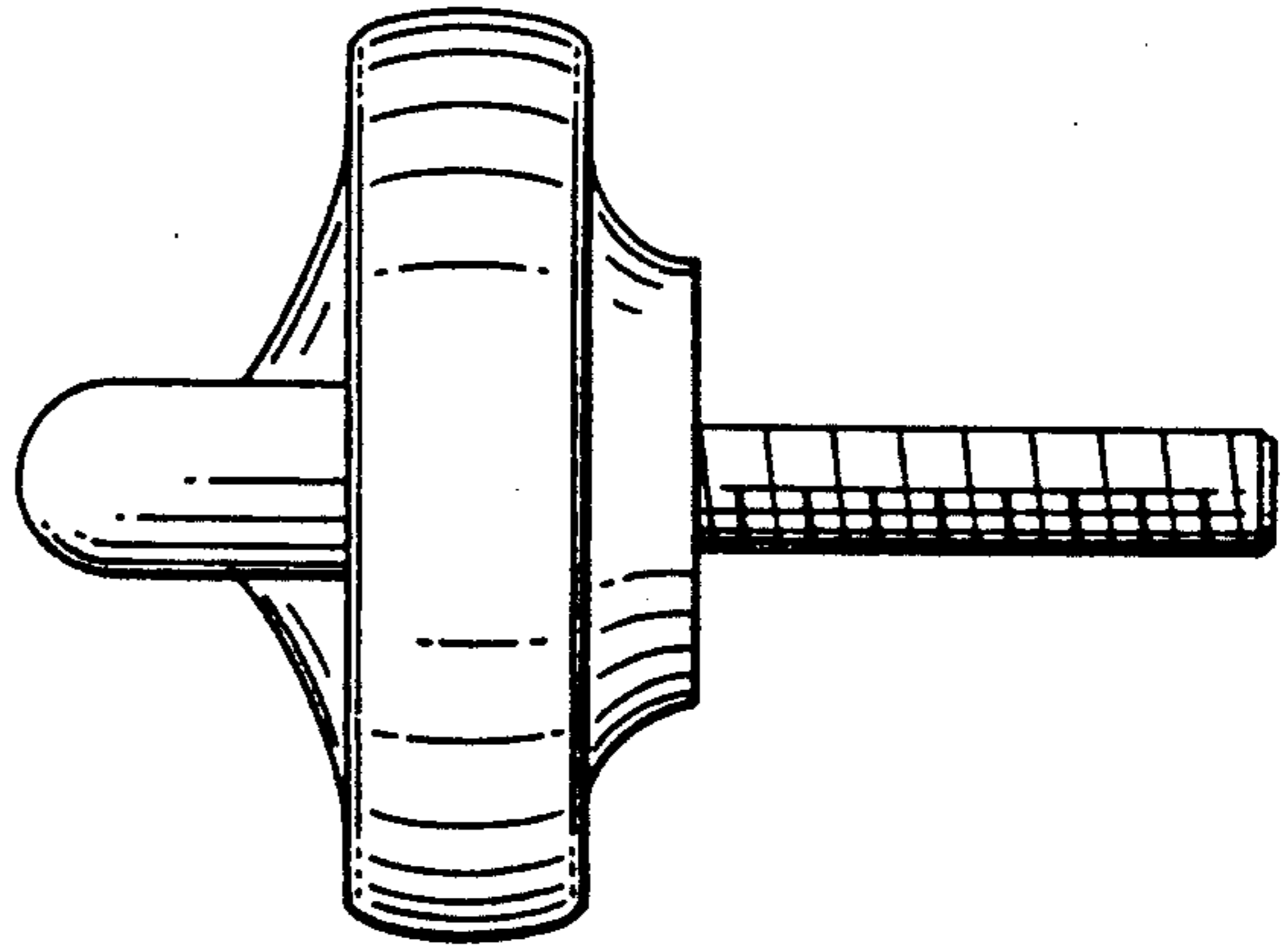


FIG. 3

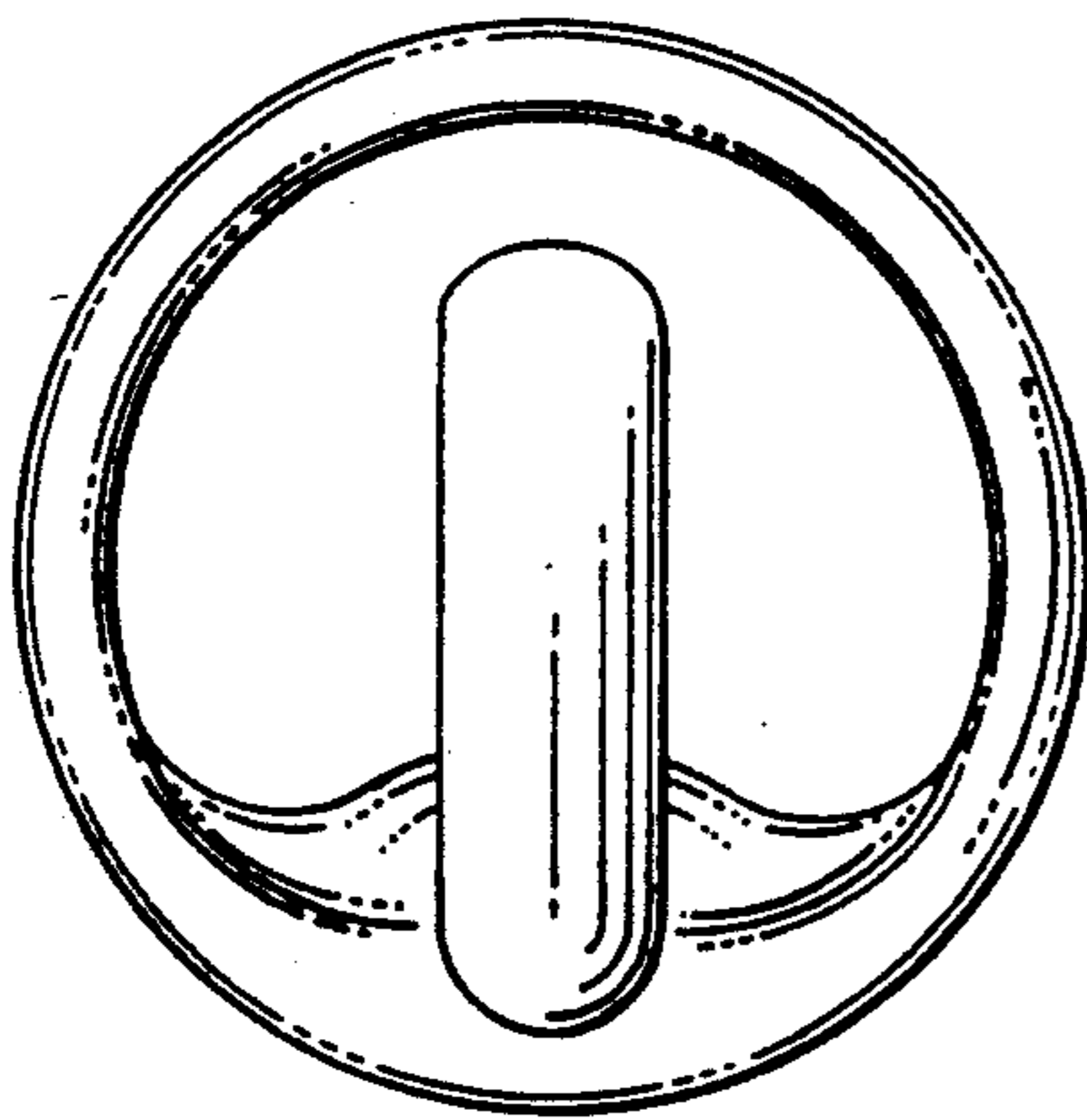


FIG. 1

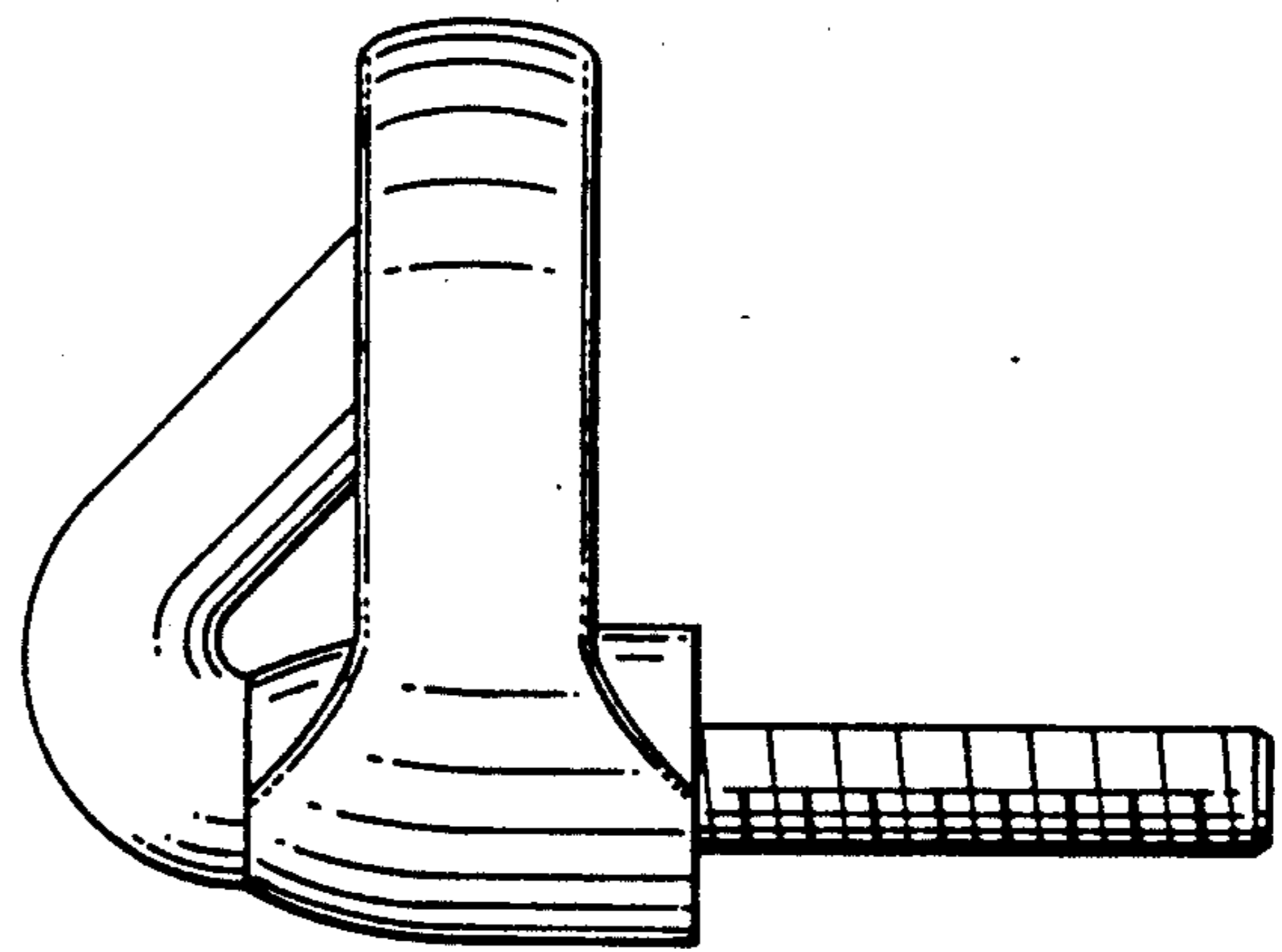


FIG. 2

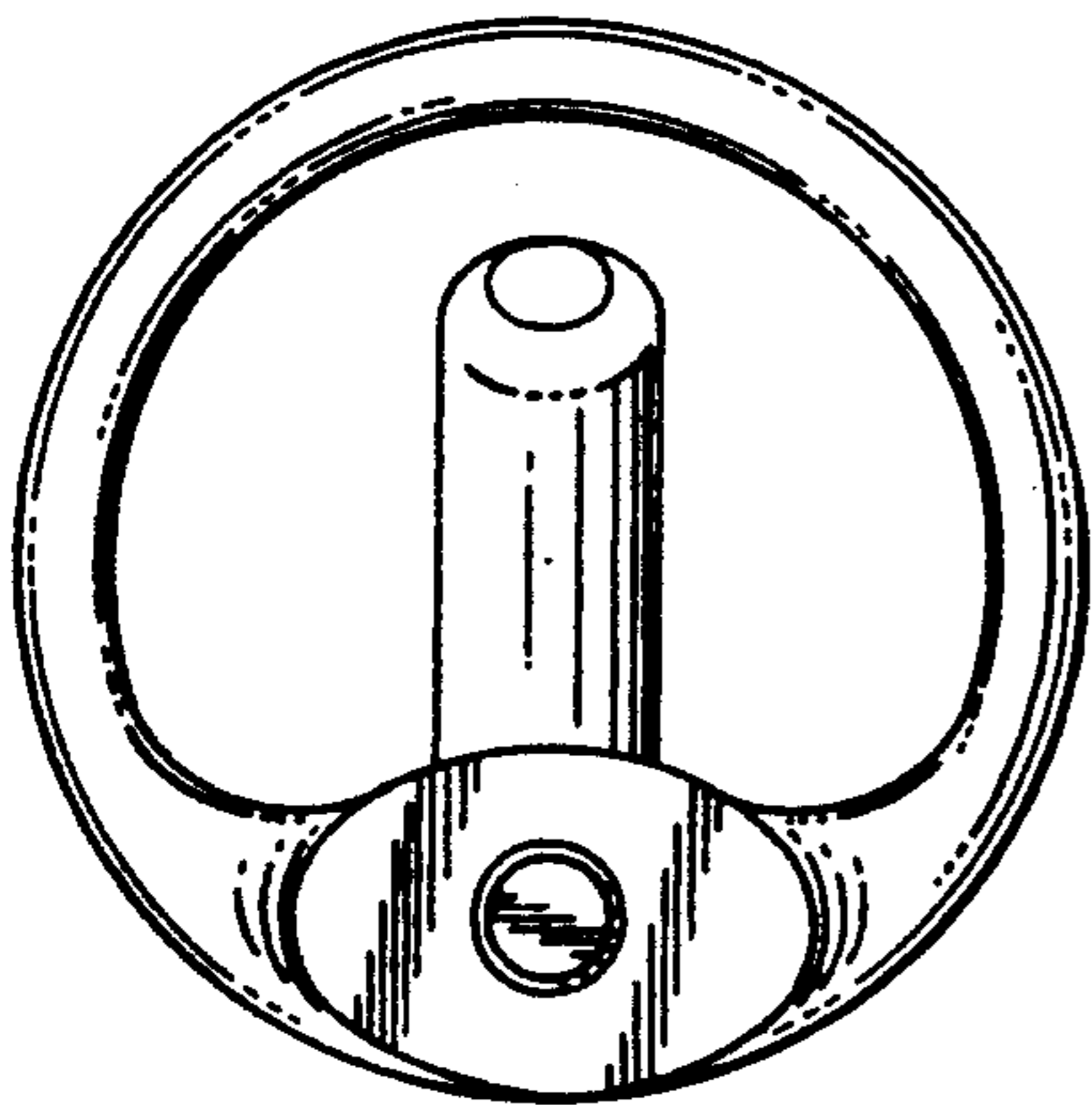


FIG. 4

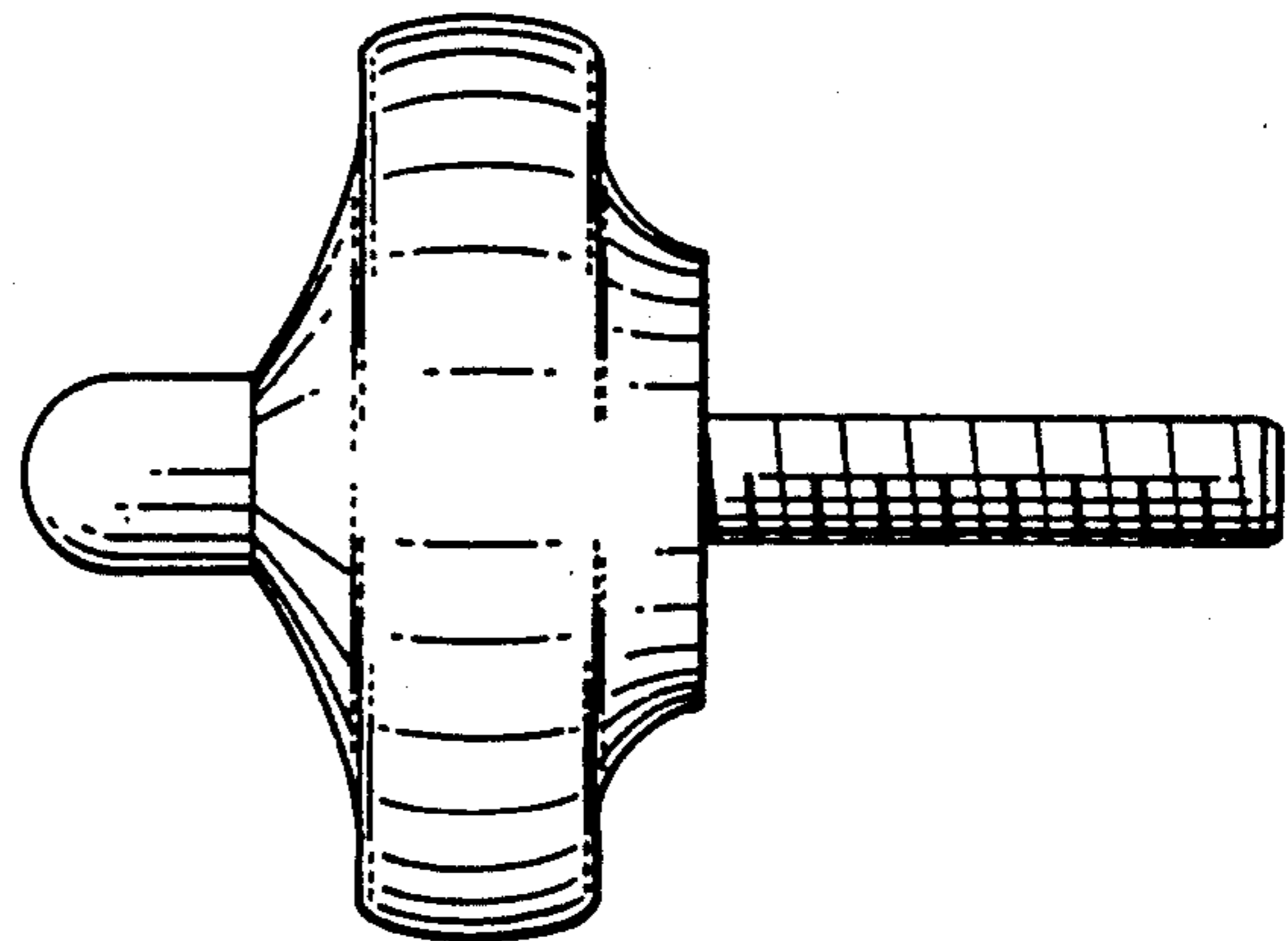


FIG. 5