



US00D332122S

United States Patent [19]

[11] Patent Number: **Des. 332,122**

Hetman et al.

[45] Date of Patent: **** Dec. 29, 1992**

[54] TRACKED TOY VEHICLE

[75] Inventors: **Michael G. Hetman, Maple Shade; Neil Tilbor, Medford, both of N.J.**

[73] Assignee: **Tyco Industries, Inc., Mt. Laurel, N.J.**

[**] Term: **14 Years**

[21] Appl. No.: **714,396**

[22] Filed: **Jun. 13, 1991**

[52] U.S. Cl. **D21/131**

[58] Field of Search **D21/82, 87, 128, 131, D21/133, 134, 137, 140, 141; D12/1, 83; D10/2, 12; D19/64; 446/93, 94, 95, 96, 432, 433, 465, 466; 434/203, 204; 368/10, 278, 285**

[56] References Cited

U.S. PATENT DOCUMENTS

- D. 139,803 12/1944 Henry .
- D. 219,287 11/1970 Rosenthal .
- D. 232,573 8/1974 Daniel .
- D. 236,642 9/1975 Fahrendorff .
- D. 289,187 4/1987 Ohno .
- D. 298,018 10/1988 Cartwright D12/1
- D. 309,930 8/1990 Asaeda .
- D. 313,255 12/1990 Honma .
- D. 313,823 1/1991 Scheckel .
- D. 317,024 5/1991 Yajima D21/137
- D. 317,336 6/1991 Tsuchiya .
- D. 317,795 6/1991 Taki D21/137
- D. 318,081 7/1991 Yoshino .
- D. 318,888 8/1991 Yoshino .
- D. 318,924 8/1991 Yoshino D21/137
- D. 320,579 10/1991 Manning D12/1
- 1,592,559 7/1926 Dean .
- 2,244,528 6/1941 Schur .
- 2,279,386 4/1942 Carver .
- 2,778,158 1/1957 Ernst .
- 2,832,426 4/1958 Seargeant .
- 3,528,193 9/1970 Yamakawa .
- 3,695,736 10/1972 Brown .
- 3,869,825 3/1975 Heberlein .
- 4,231,182 11/1980 Kurita .
- 4,248,006 2/1981 Jones 446/94
- 4,458,444 7/1984 Avery et al. .
- 4,522,606 6/1985 Goldfarb et al. 446/433

FOREIGN PATENT DOCUMENTS

631777 6/1936 Fed. Rep. of Germany .

OTHER PUBLICATIONS

- Hong Kong Toys '89, p. 811, top of page.
- Tyco Toys Catalog 1987, p. 26, lower left of page.
- Article—"Truck Stop" by Dave Sproul, *Radio Control Car Action*, Jun., 1990, pp. 32-33.
- Tyco Spring 1988 catalog (cover page and pp. 18-33, 40, 41, 50-55, 66, 67).
- 1986 Product Catalog/Nikko America Inc., excerpts (Cover, Table of Cont., pp. 2, 18, 21, 22, 24).
- 88 Catalogue/Nikko (Japan) excerpts.
- Nikko/Catalog 1988 excerpts (cover, TOC, pp. 3, 4, 6-10, (2-17, 33, 42).
- '89 Catalog (Nikko) excerpts pp. 7-17, 20, 22, 32, rear cover.
- Cox Power '76 catalog excerpts.
- Move up with Cox 1978 (catalog) excerpts pp. 13, 14, 17 and 21).
- Move up with Cox . . . 1979 Product Catalog excerpts.
- Shinsei (1987 Catalog) excerpts 2 page "Shinsei-The Formula For Excitement", 1231 Cheetah, 1227.
- Shinsei Special Formula 1 Racer, "Mini Power" Series (2 pp.) Models 601, 605, 606, 613-616.

Primary Examiner—Bernard Ansher

Assistant Examiner—R. Barkai

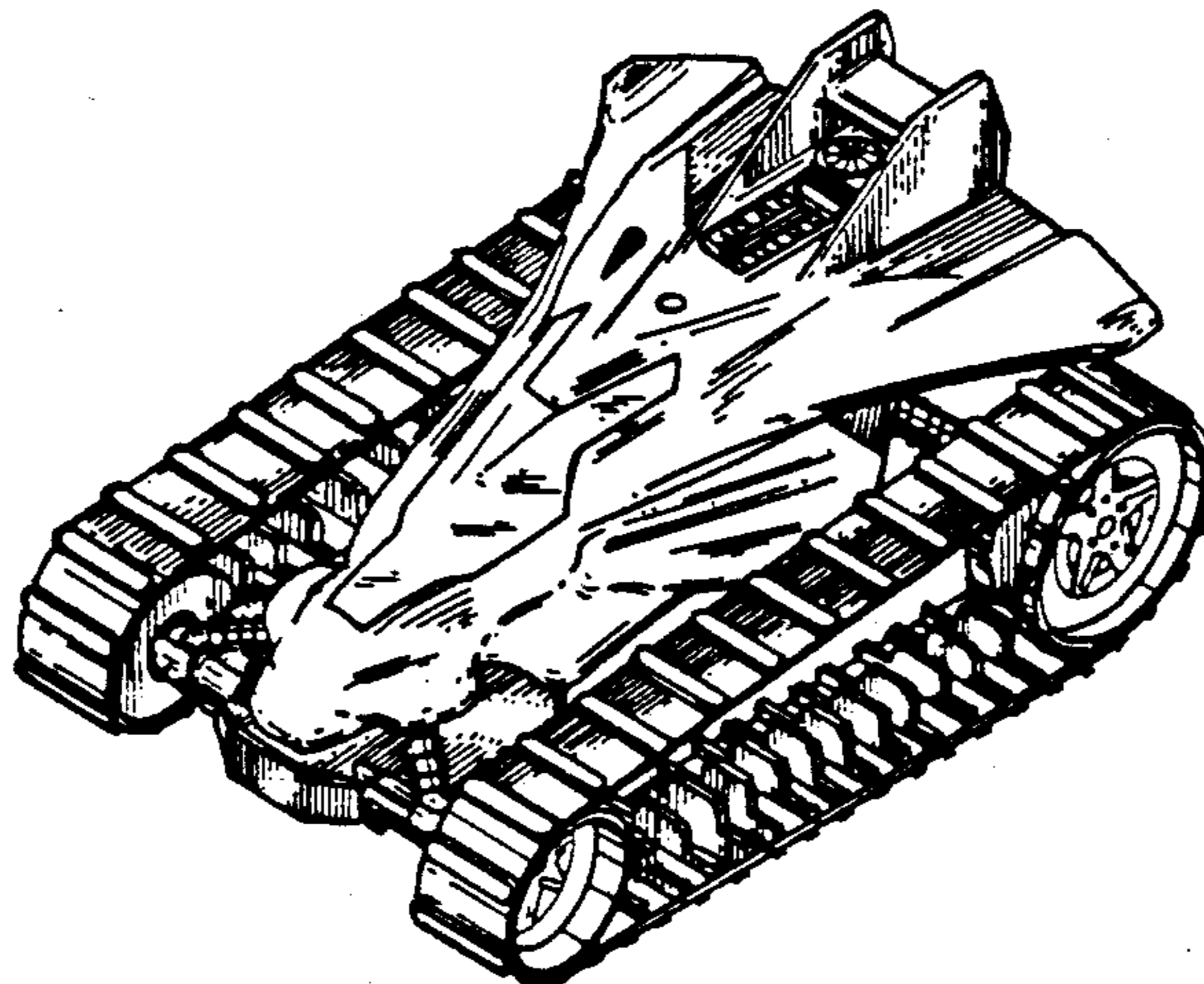
Attorney, Agent, or Firm—Panitch Schwarze Jacobs & Nadel

[57] CLAIM

The ornamental design for a tracked toy vehicle, as shown and described.

DESCRIPTION

- FIG. 1 is a perspective view of a tracked toy vehicle showing our new design;
- FIG. 2 is a top plan view thereof;
- FIG. 3 is a bottom plan view thereof;
- FIG. 4 is a right side elevation view thereof;
- FIG. 5 is a left side elevation view thereof;
- FIG. 6 is a front elevation view thereof; and,
- FIG. 7 is a rear elevation view thereof.



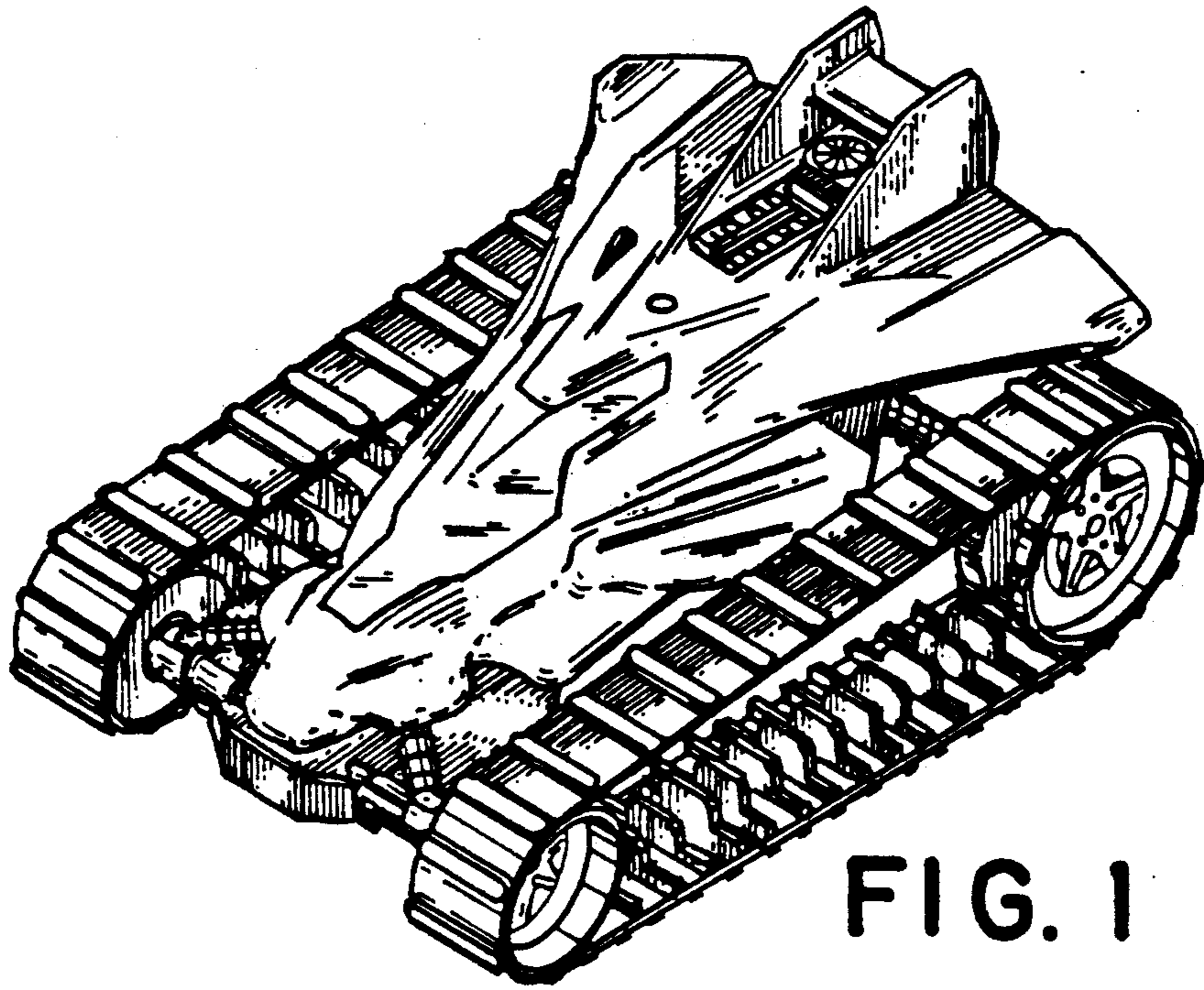


FIG. 1

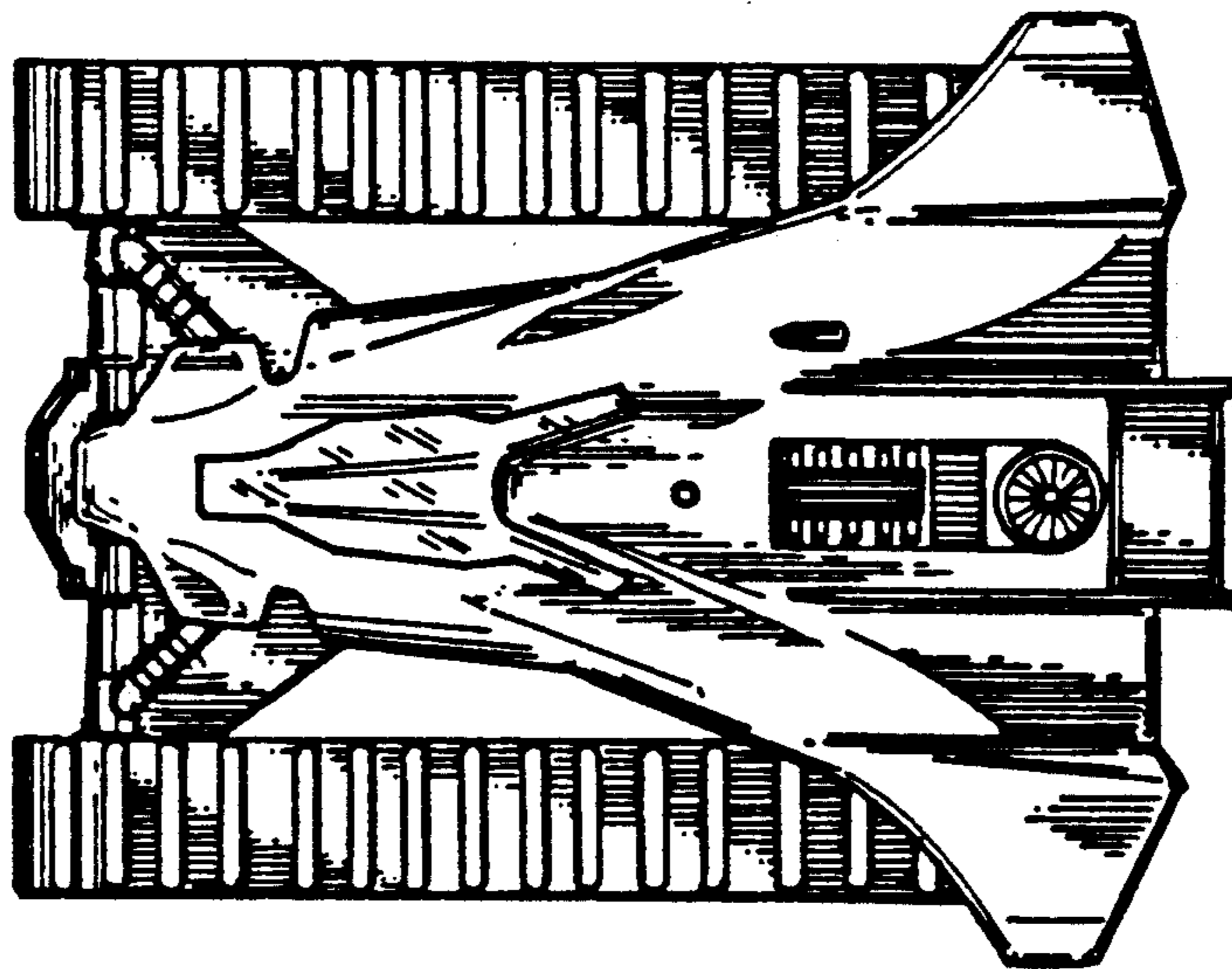


FIG. 2

FIG. 3

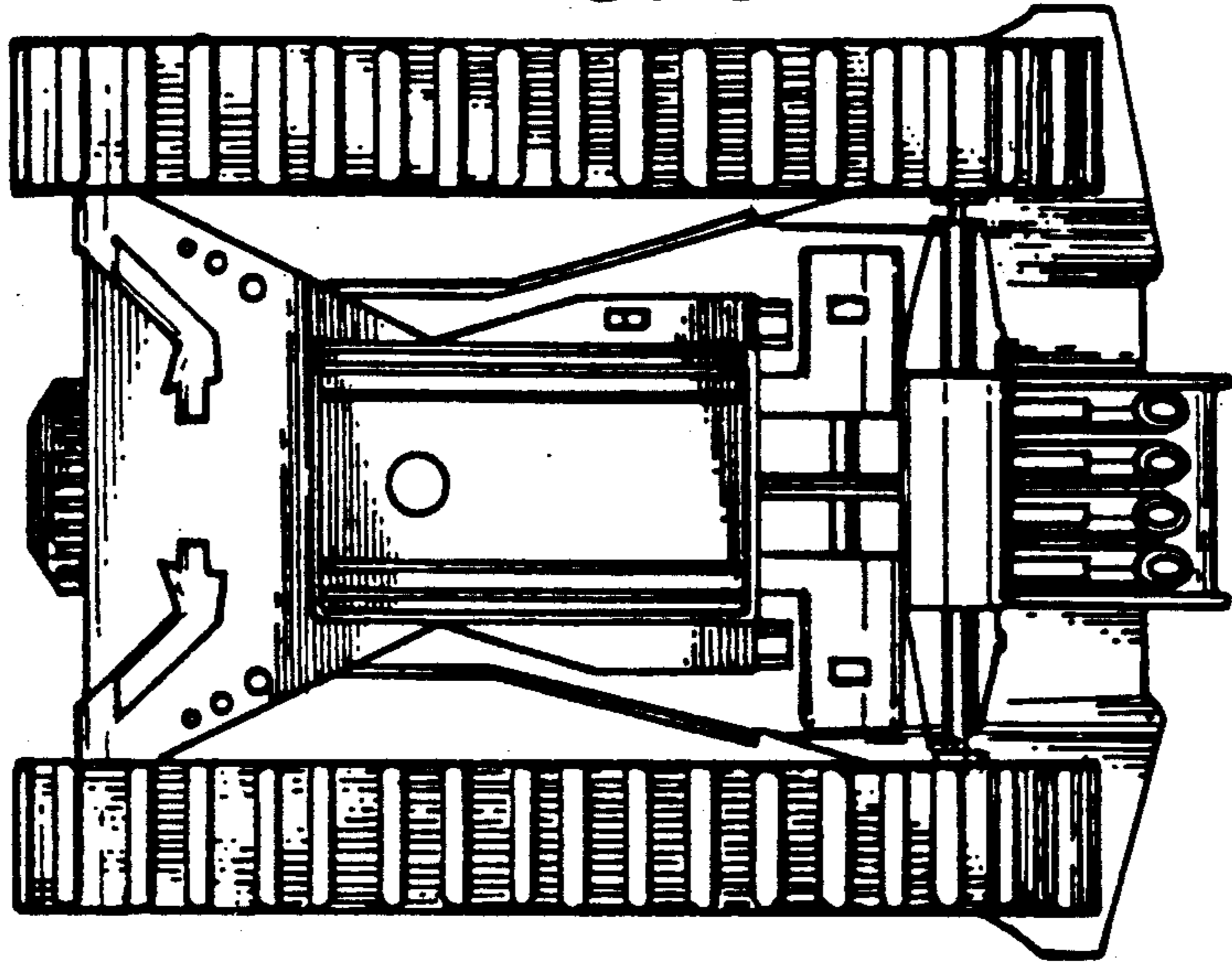


FIG. 4

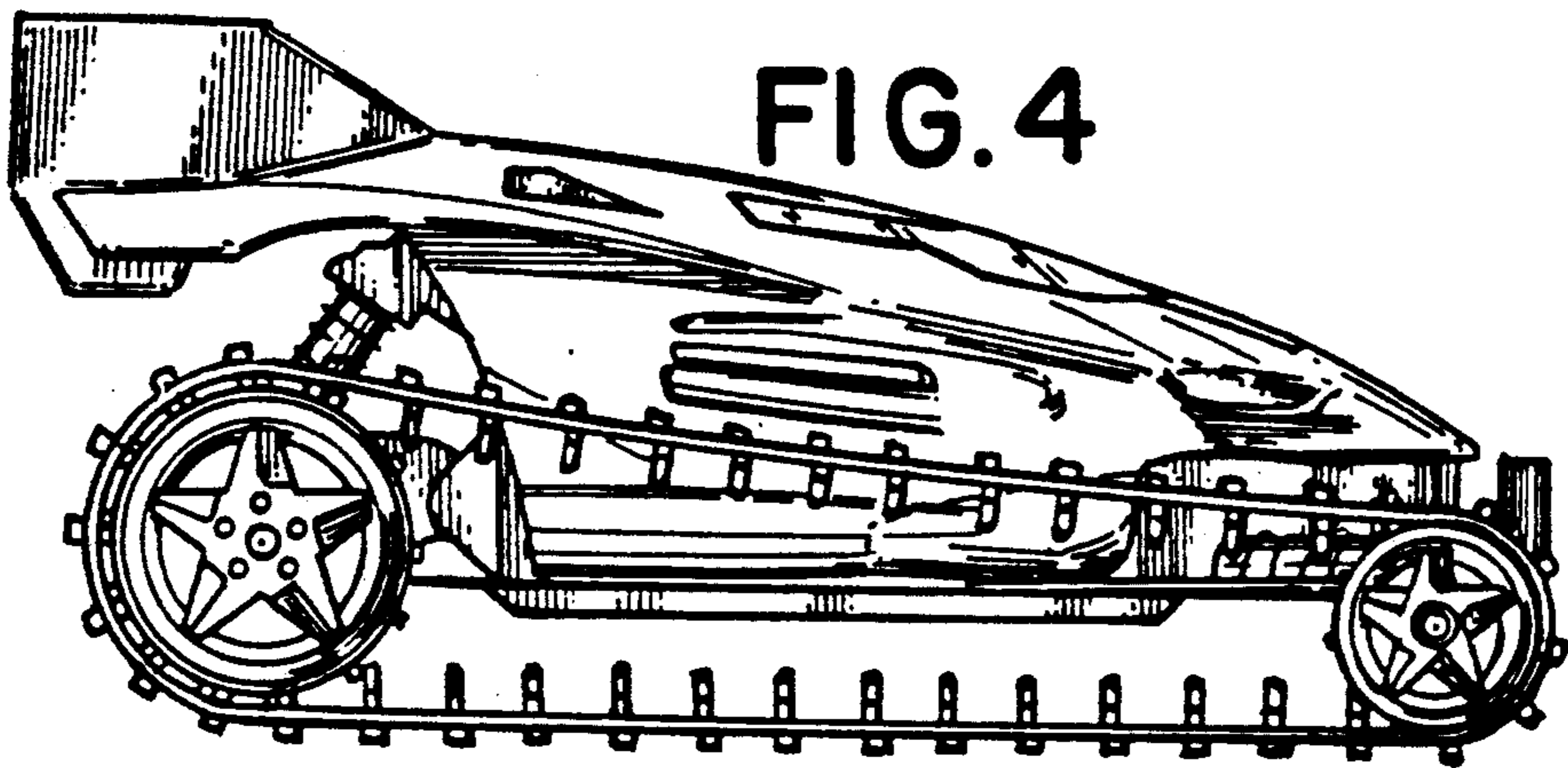
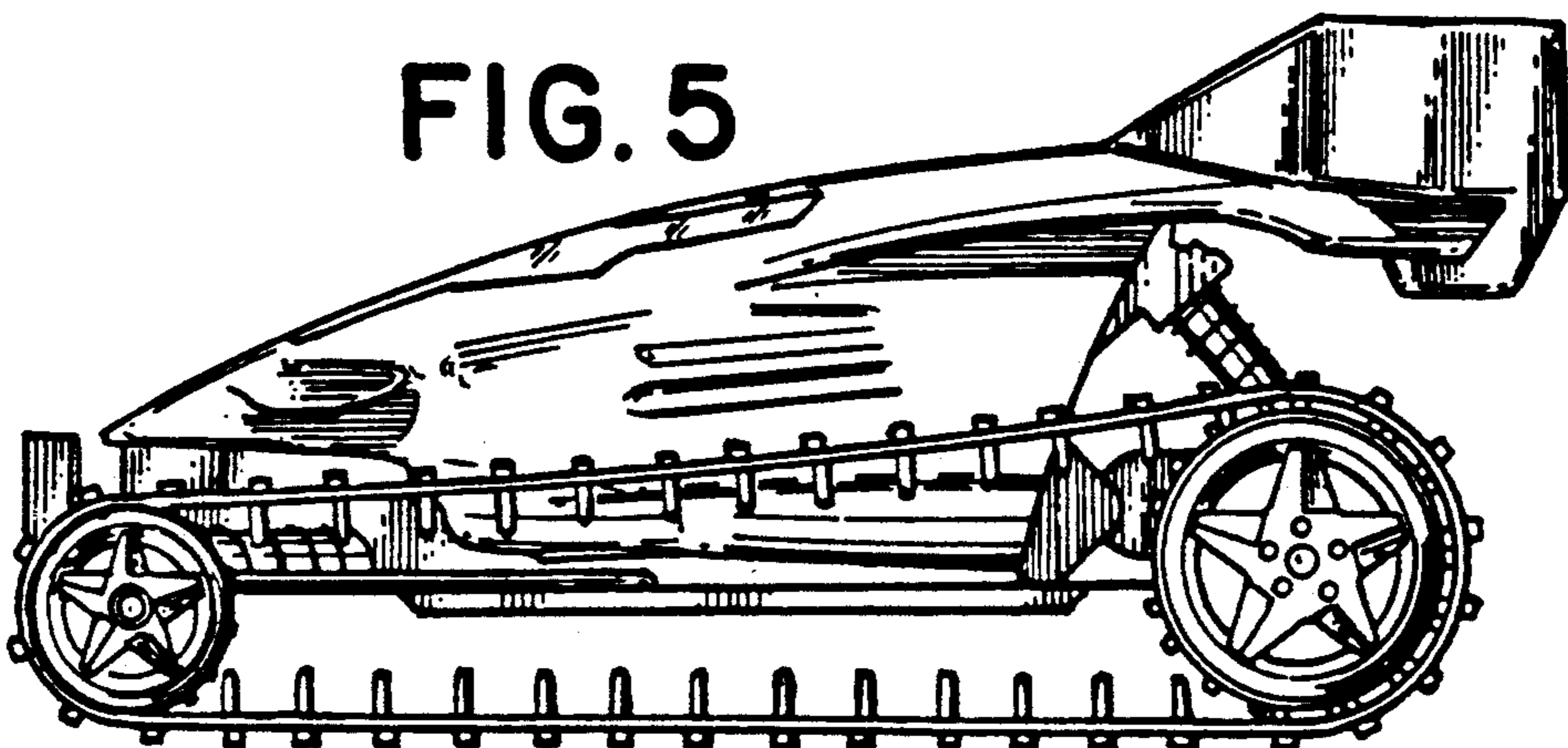


FIG. 5



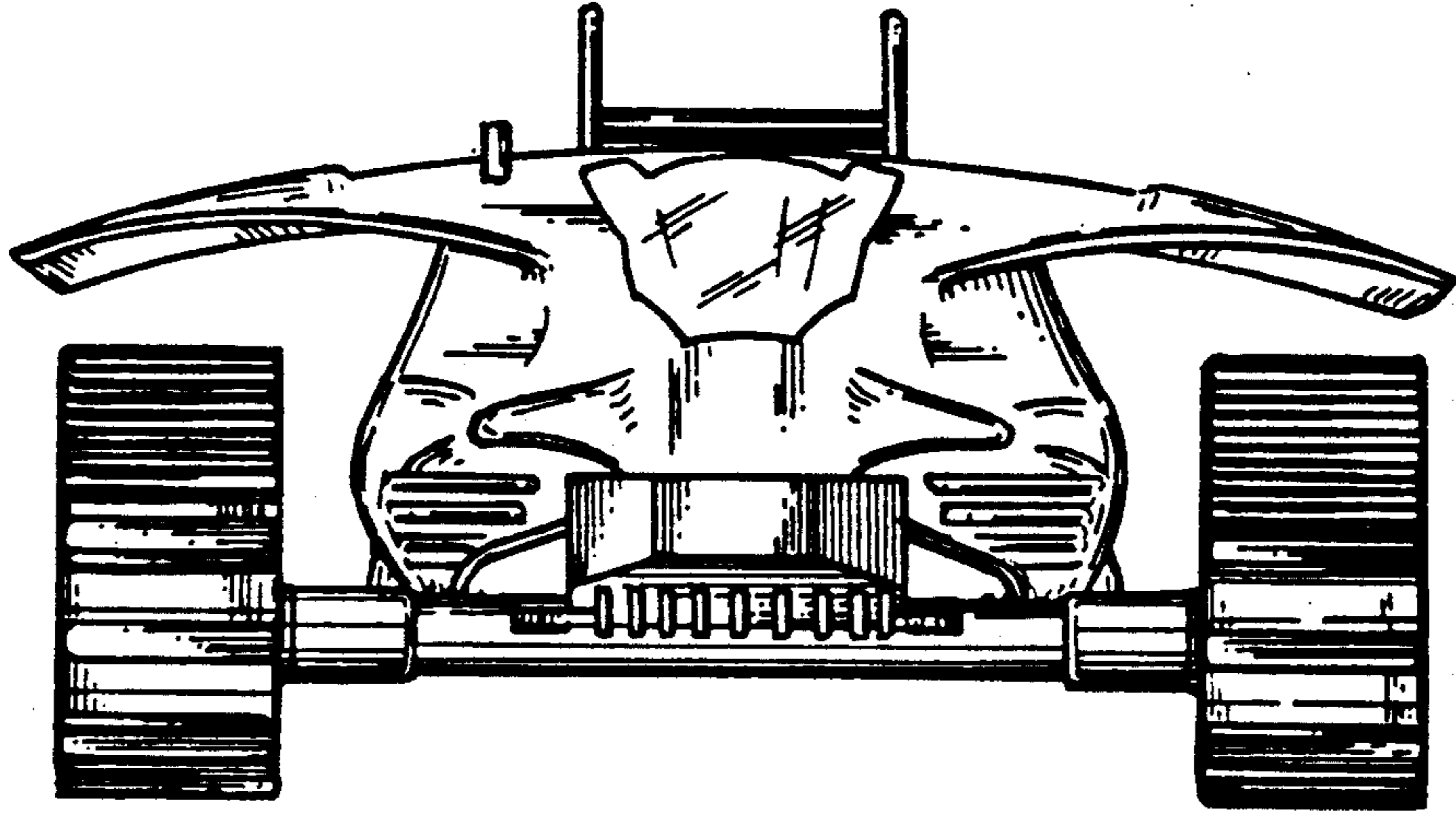


FIG. 6

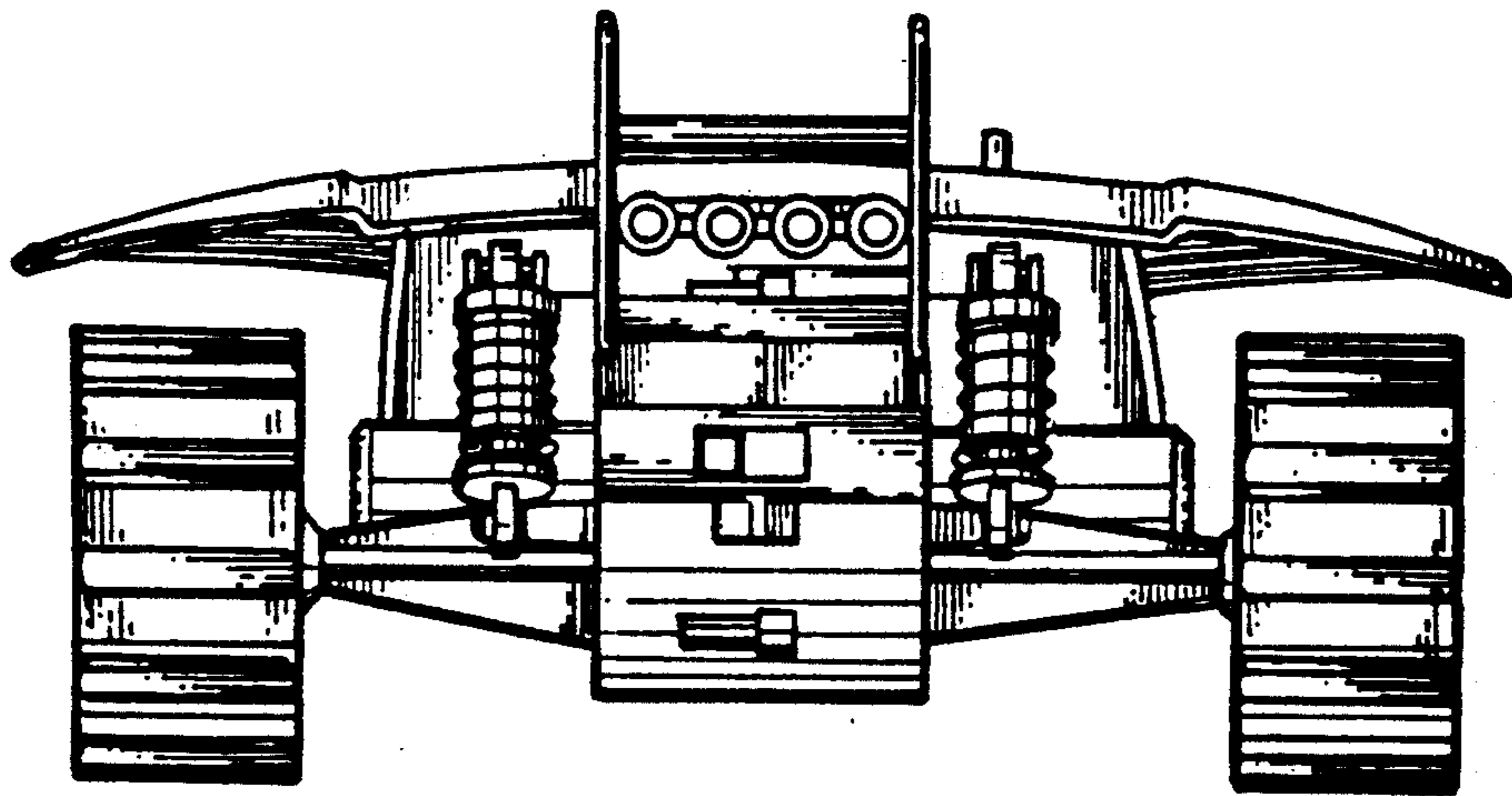


FIG. 7