



US00D332119S

# United States Patent [19]

[11] Patent Number: **Des. 332,119**

Fujieda et al.

[45] Date of Patent: **\*\* Dec. 29, 1992**

[54] **CLOCK TOY**

[56]

### References Cited

[75] Inventors: **Takayuki Fujieda; Masami Shiraishi,**  
both of Tokyo, Japan

[73] Assignee: **Combi Corporation, Tokyo, Japan**

[\*\*] Term: **14 Years**

[21] Appl. No.: **774,291**

[22] Filed: **Oct. 10, 1991**

### [30] Foreign Application Priority Data

Apr. 10, 1991 [JP] Japan ..... 3-10394

[52] U.S. Cl. .... **D21/111; D10/8;**  
**D10/19; D10/28**

[58] Field of Search ..... **D21/109, 110, 111, 112,**  
**D21/113; D14/163, 165, 164, 168, 142, 143,**  
**149, 118, 125, 126, 225, 228; D10/8, 19, 28;**  
**D16/202; D20/3, 4, 5, 7; 446/8, 141, 142, 144,**  
**404, 408; 368/45, 316, 317**

### U.S. PATENT DOCUMENTS

D. 89,217	2/1933	Sill .....	D10/8
D. 102,581	12/1936	Schleker .....	D10/28
D. 286,381	10/1986	Zeisel .....	D10/8
D. 287,379	12/1986	Edmisson .....	D21/109
D. 309,436	7/1990	Zeisel .....	D10/8
D. 318,430	7/1991	Evenson .....	D10/28
5,044,961	9/1991	Bruskewitz .....	368/45

*Primary Examiner*—Bernard Ansher

*Assistant Examiner*—R. Barkai

*Attorney, Agent, or Firm*—Sughrue, Mion, Zinn,  
Macpeak & Seas

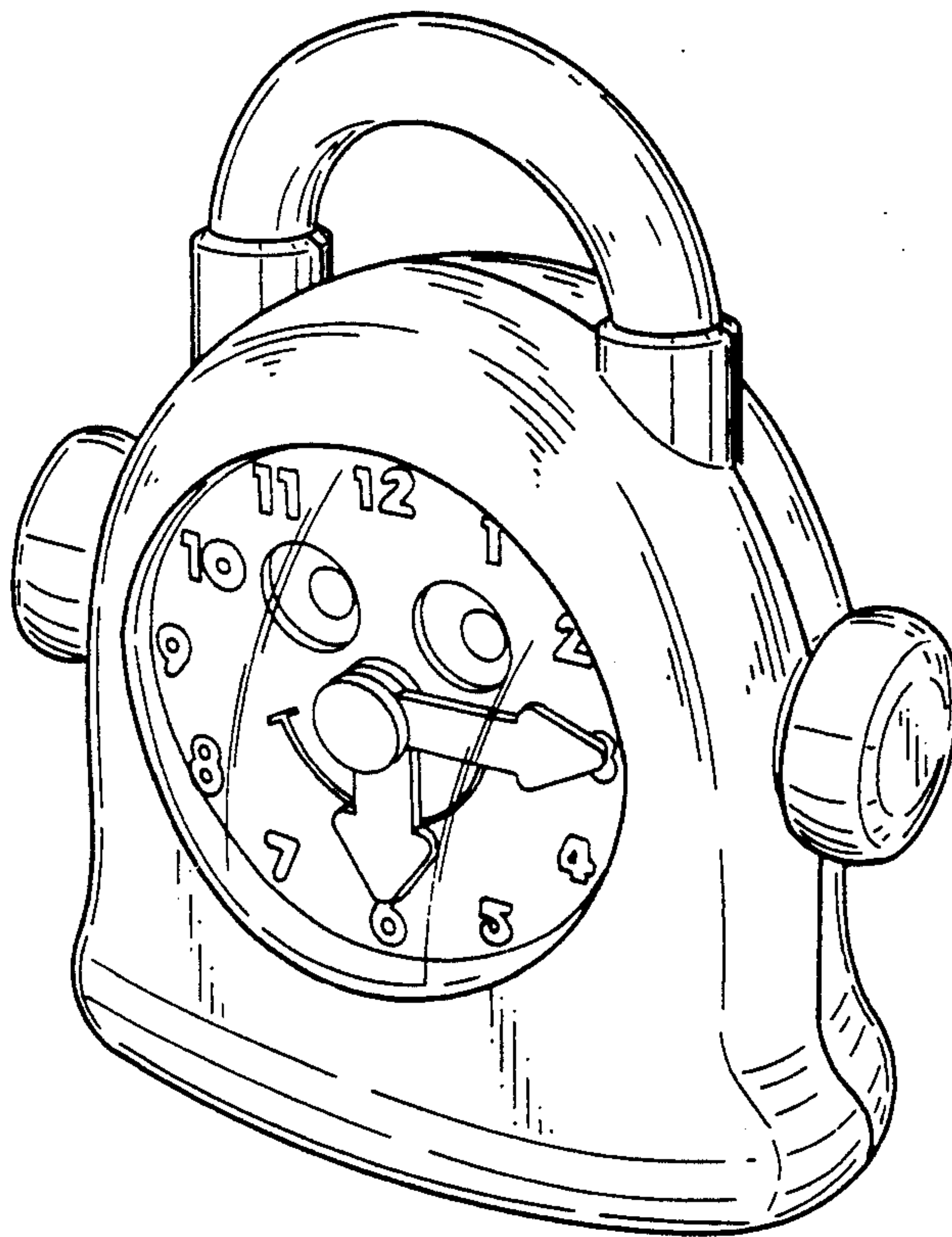
[57]

### CLAIM

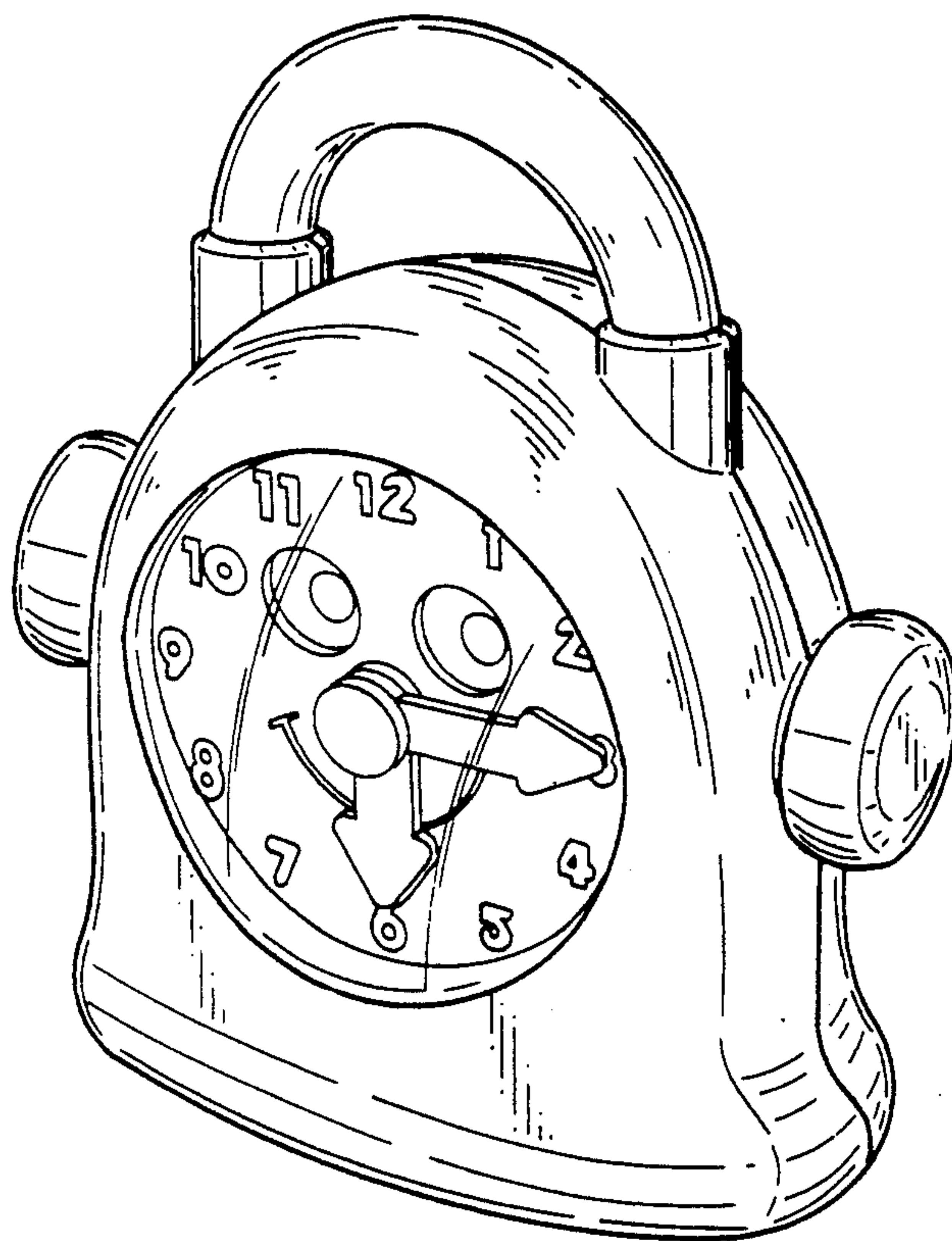
The ornamental design for a clock toy, as shown.

### DESCRIPTION

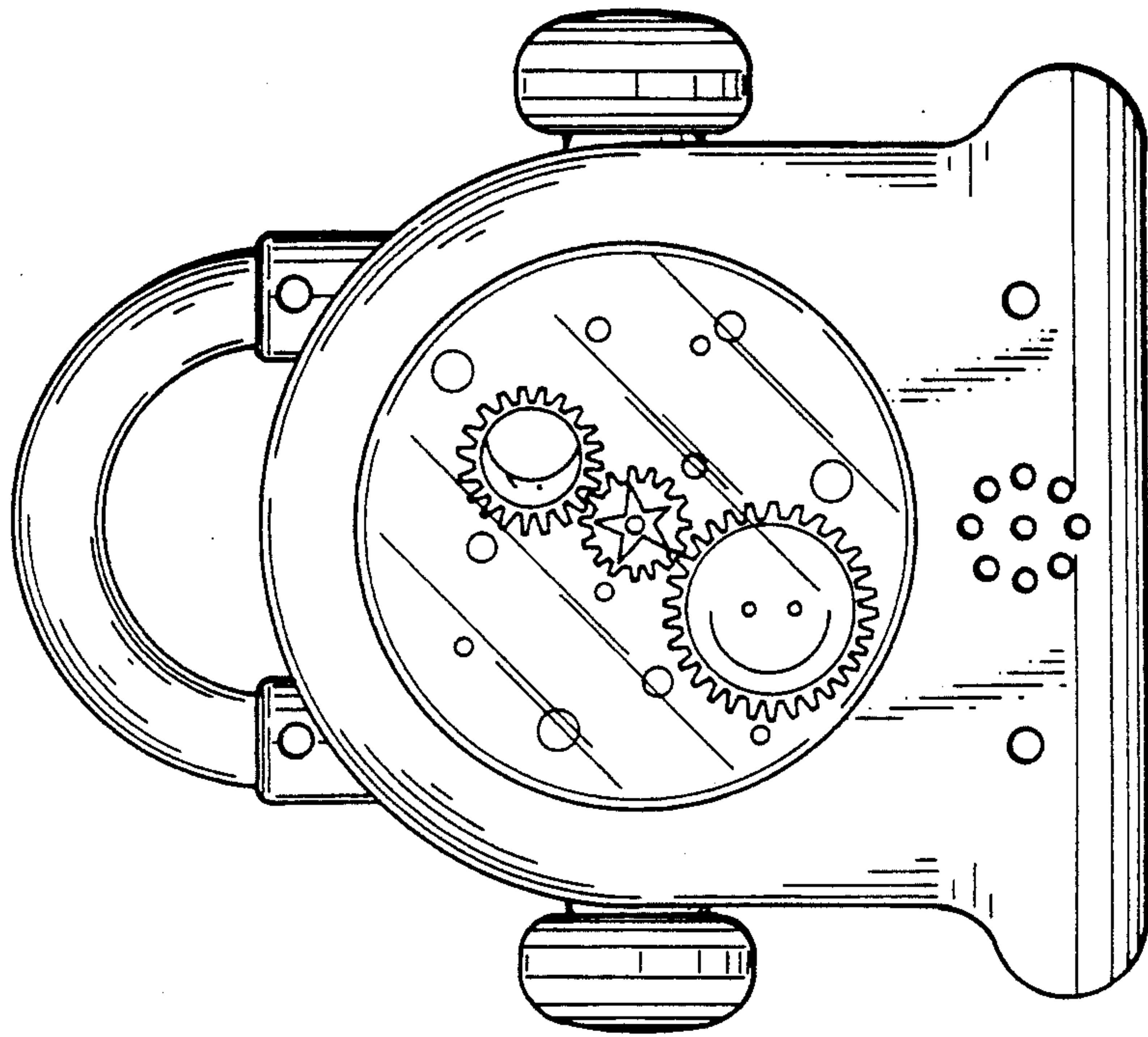
FIG. 1 is a front, top and right side perspective view of a clock toy showing our new design;  
FIG. 2 is a front elevational view thereof;  
FIG. 3 is a rear elevational view thereof;  
FIG. 4 is a left side elevational view thereof;  
FIG. 5 is a right side elevational view thereof;  
FIG. 6 is a top plan view thereof; and,  
FIG. 7 is a bottom plan view thereof.



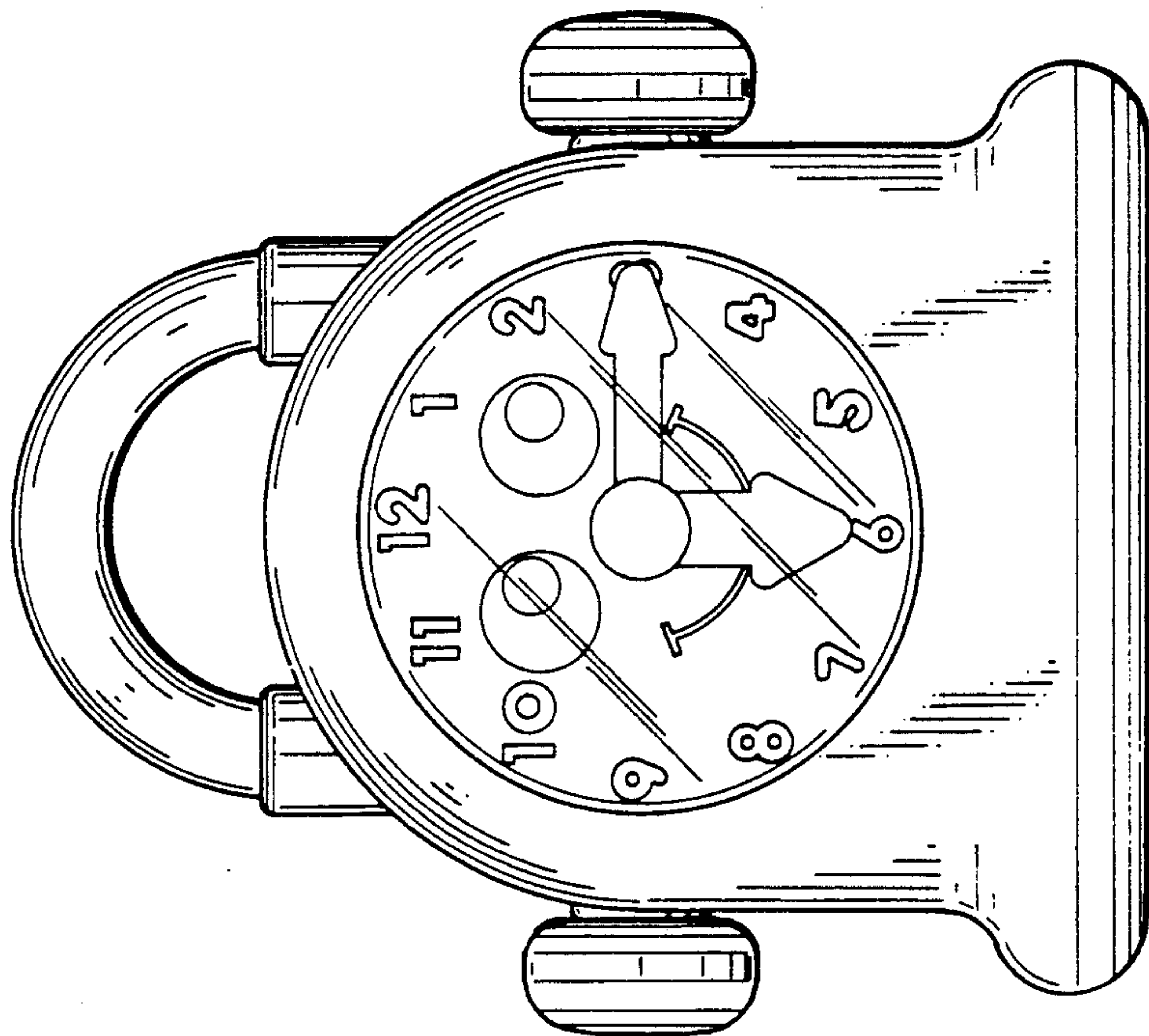
*Fig. 1*



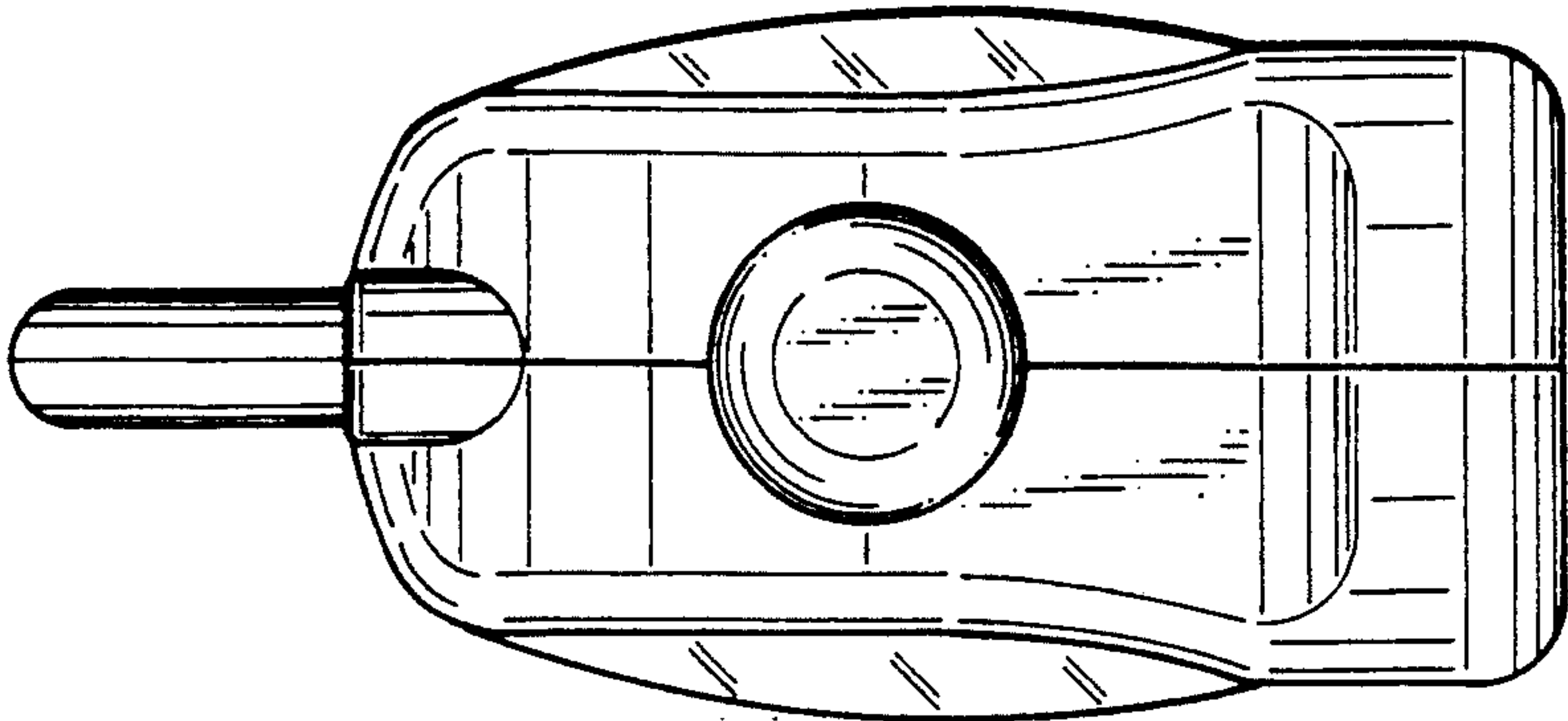
*Fig. 3*



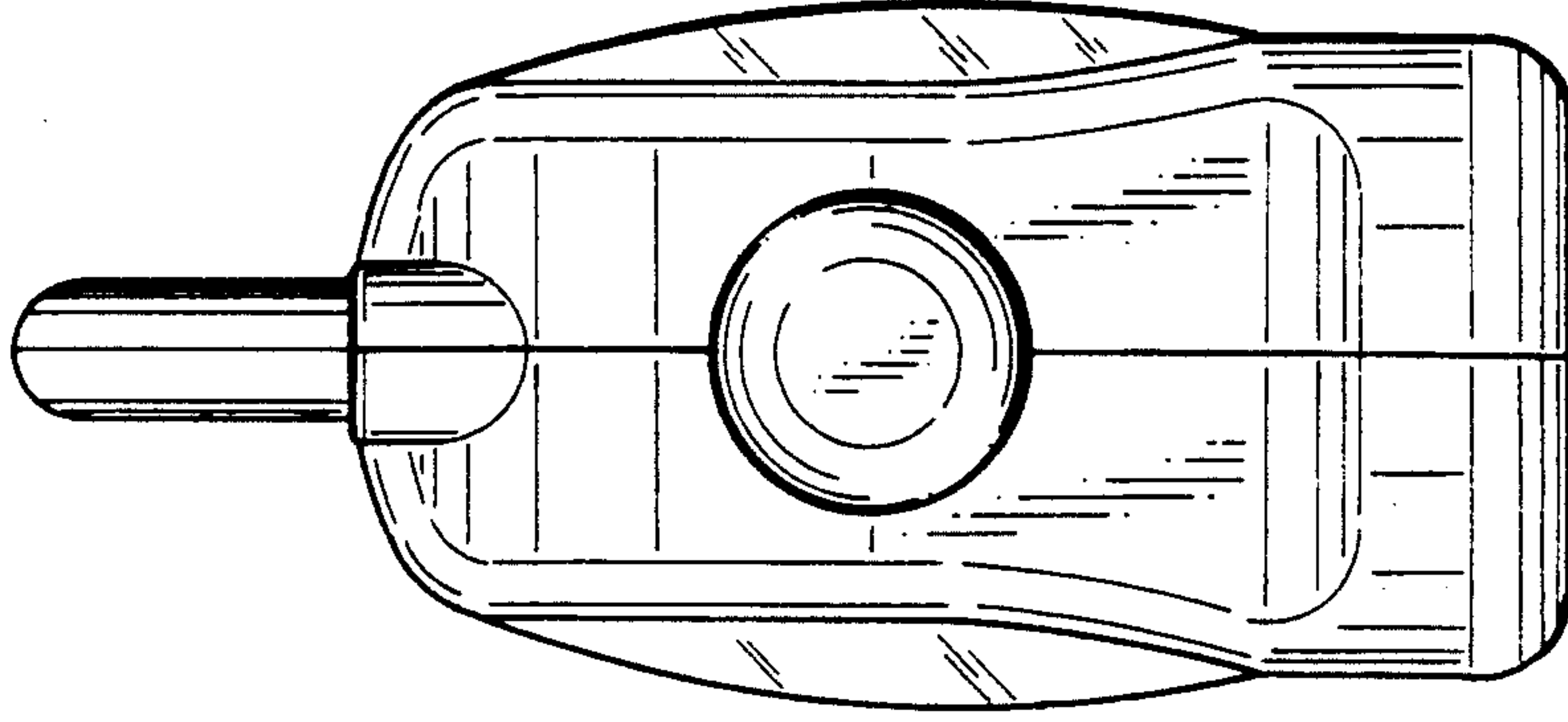
*Fig. 2*



*Fig. 5*

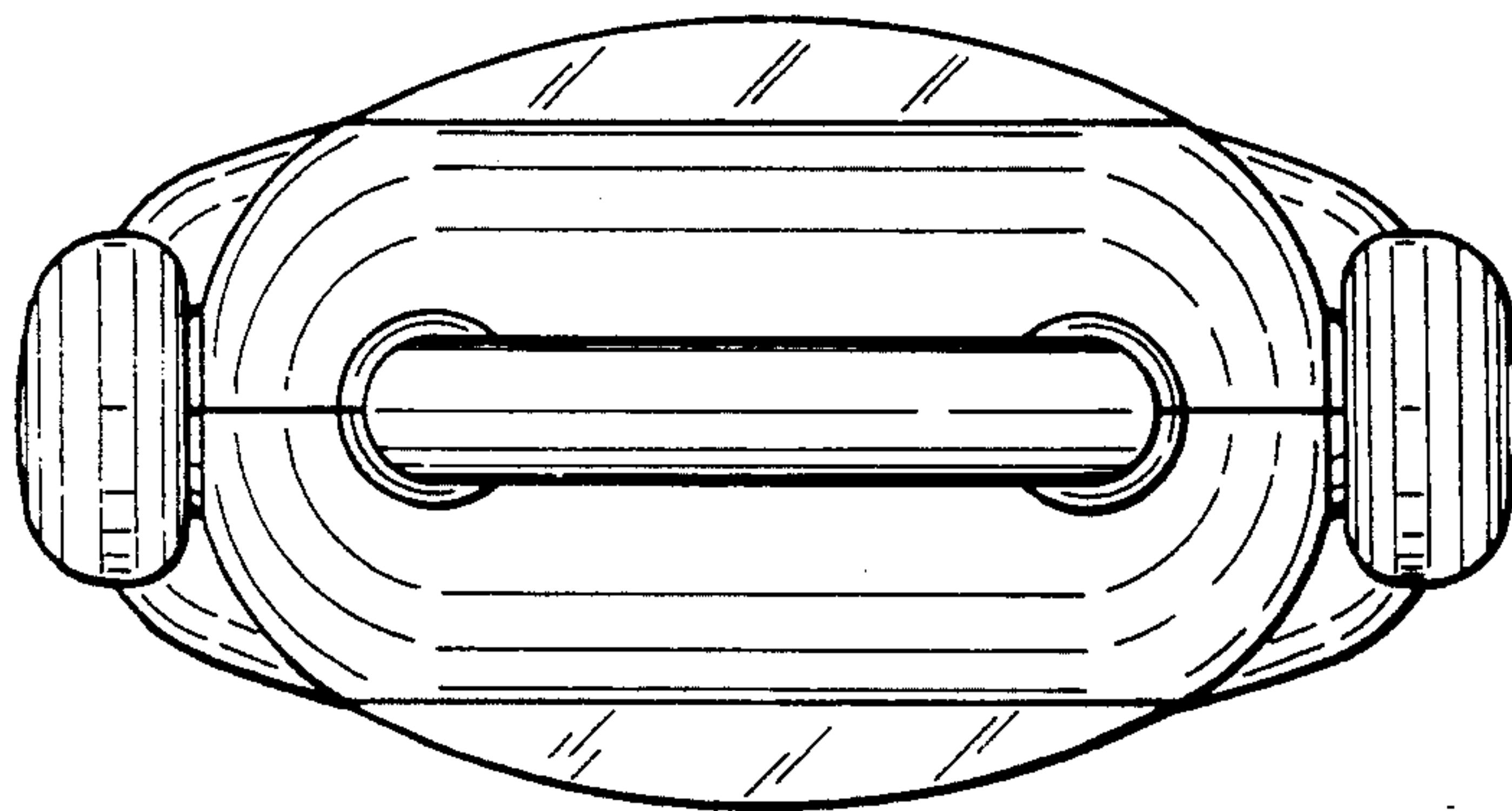


*Fig. 4*





*Fig. 6*



*Fig. 7*

