



US00D332110S

# United States Patent [19] Held

[11] Patent Number: Des. 332,110  
[45] Date of Patent: \*\* Dec. 29, 1992

[54] SLIDE PROJECTOR  
[75] Inventor: Wolfgang Held, Hard, Austria  
[73] Assignee: Wolf Audio Visuals, Austria  
[\*\*] Term: 14 Years  
[21] Appl. No.: 390,664  
[22] Filed: Aug. 7, 1989  
[30] Foreign Application Priority Data  
Feb. 6, 1989 [DE] Fed. Rep. of Germany ..... 8900878  
[52] U.S. Cl. .... D16/232; D16/225  
[58] Field of Search ..... D16/221, 225, 232;  
353/61, 66, 98, 119, 122, DIG. 3, DIG. 4, DIG.  
5

4,795,252 1/1989 Kyhl ..... 353/98

### FOREIGN PATENT DOCUMENTS

1136134 5/1989 Japan ..... 353/119

Primary Examiner—Theodore M. Shooman  
Assistant Examiner—Adir Aronovich  
Attorney, Agent, or Firm—Speckman & Pauley

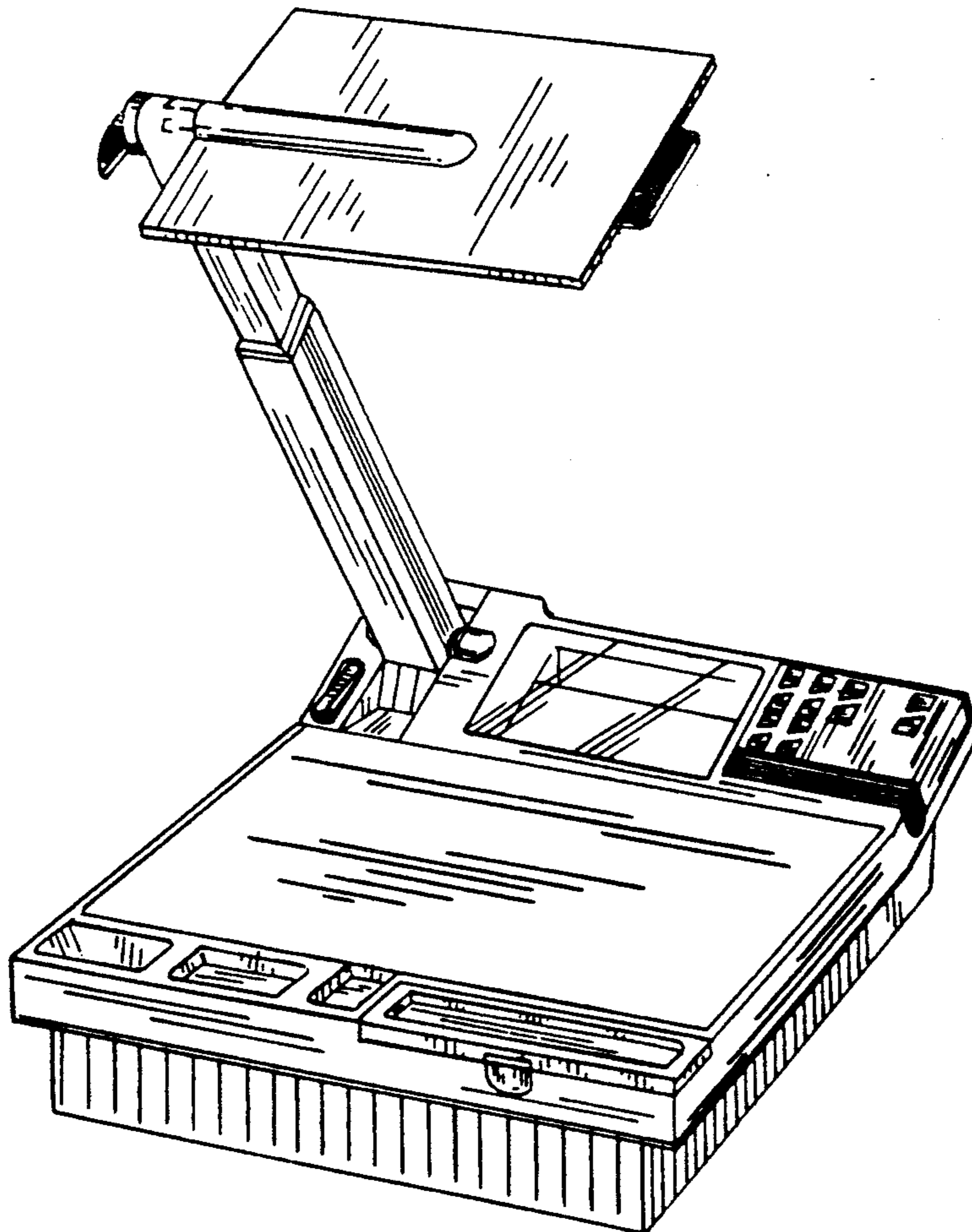
### [57] CLAIM

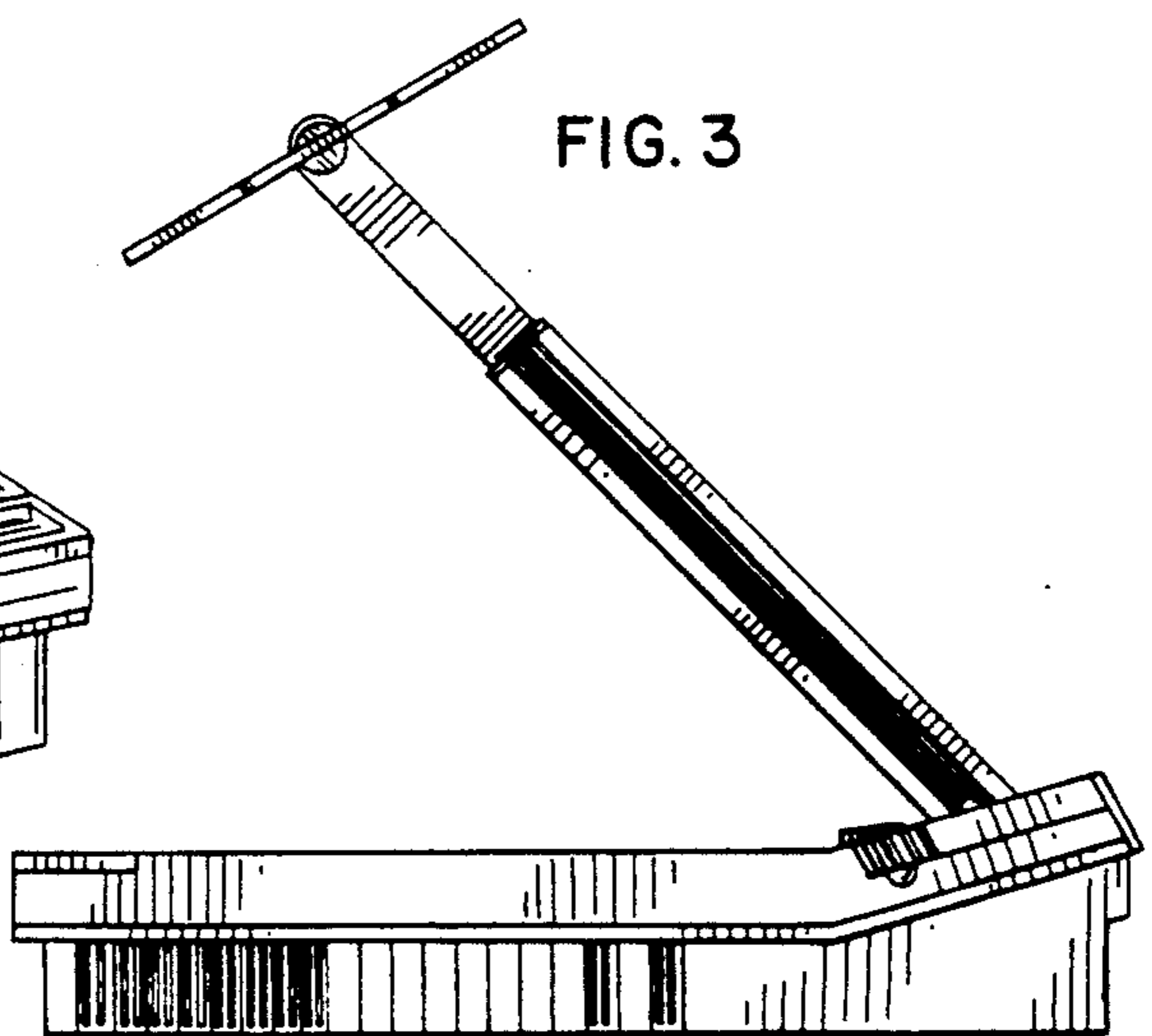
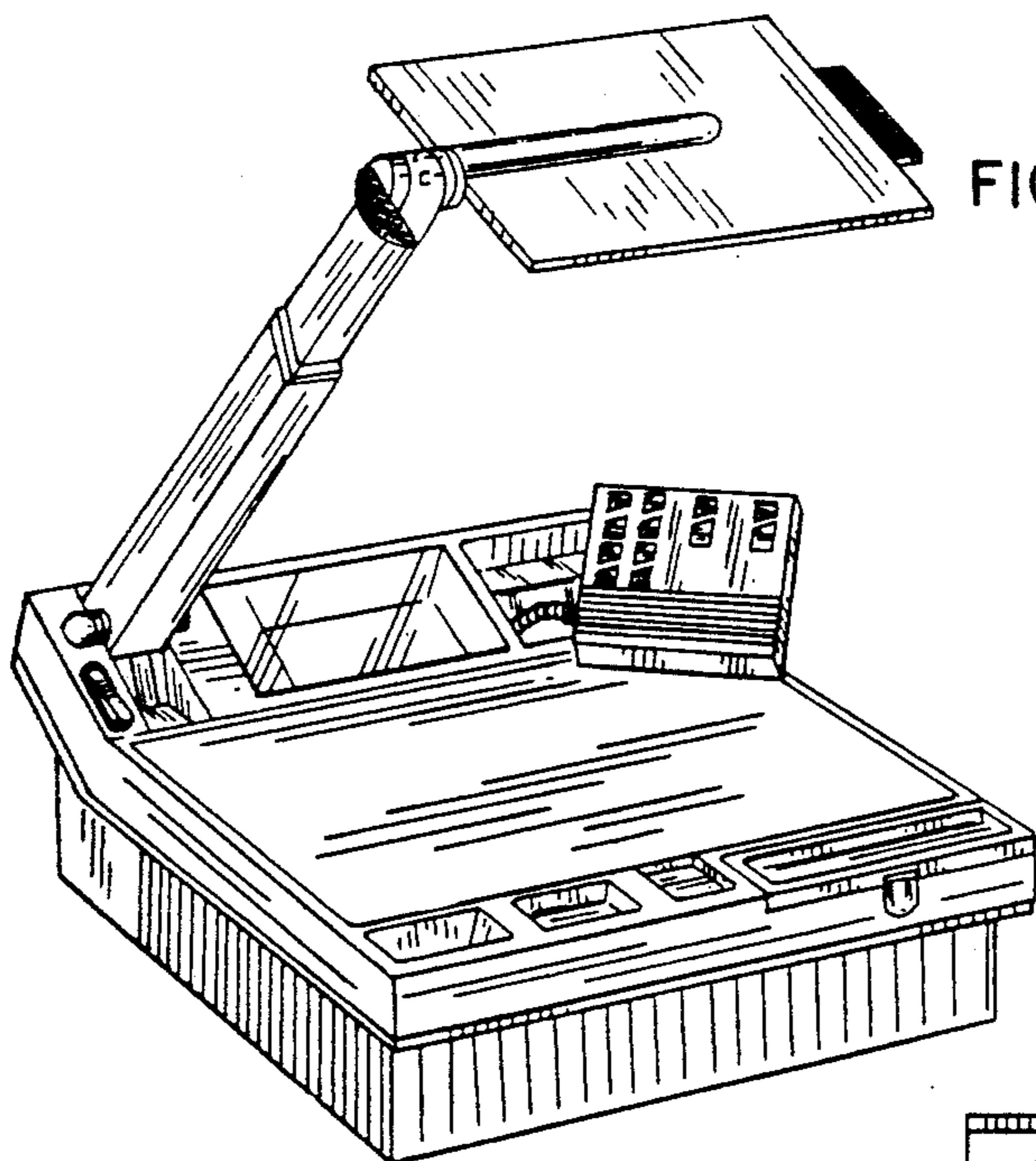
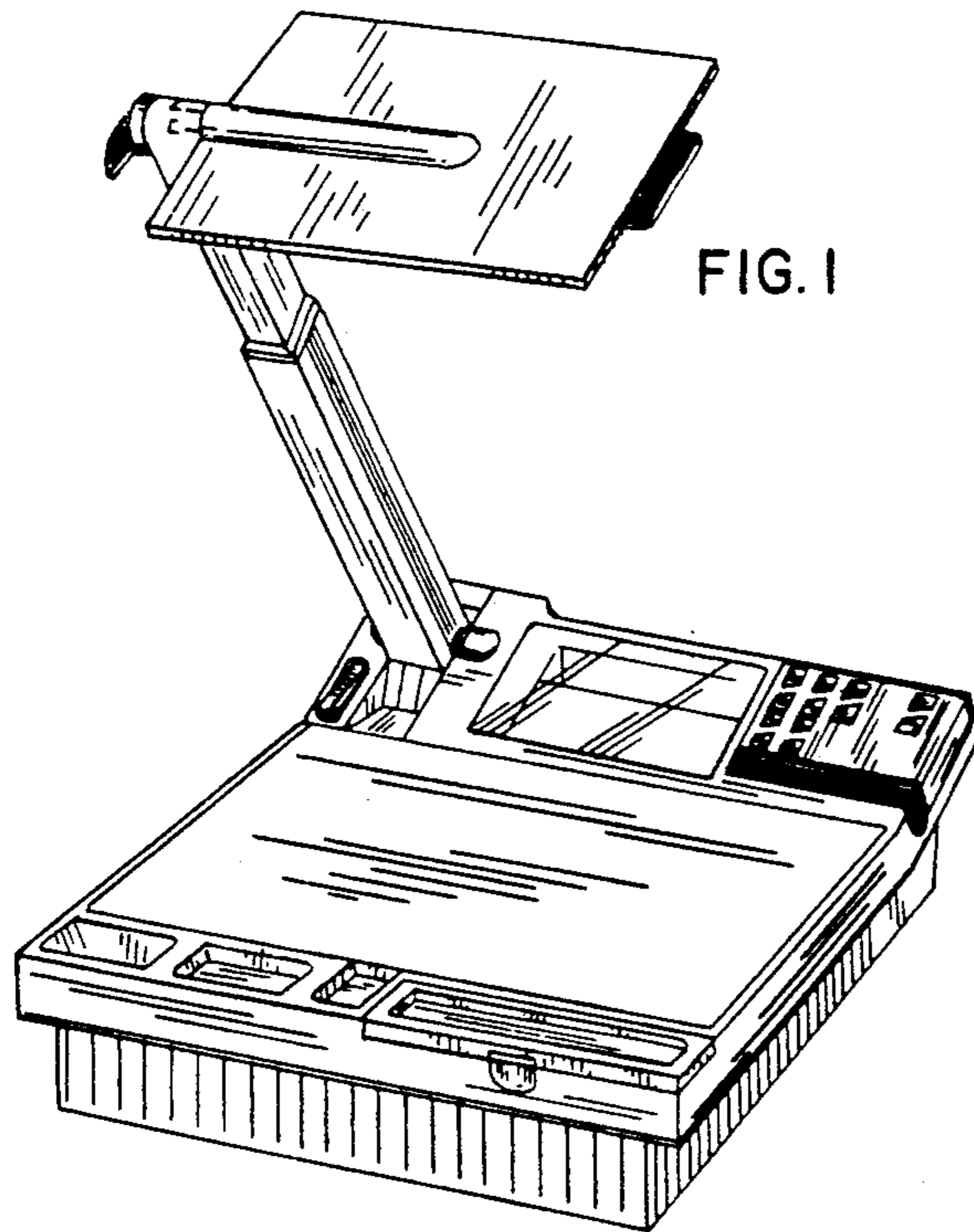
The ornamental design for a slide projector, as shown and described.

### DESCRIPTION

FIG. 1 is a top, front and right side perspective view of a slide projector showing my new design;  
FIG. 2 is a top, front and left side perspective view thereof;  
FIG. 3 is a right side elevational view thereof;  
FIG. 4 is a right side elevational view thereof, with the pivoting arm in a folded position;  
FIG. 5 is a top plan view thereof;  
FIG. 6 is a rear elevational view thereof; and,  
FIG. 7 is a front elevational view thereof.

[56] References Cited  
U.S. PATENT DOCUMENTS  
D. 244,602 6/1977 Mango et al. .... D16/232  
D. 290,264 6/1987 Overman et al. .... D16/232  
D. 305,904 2/1990 Matsumoto ..... D16/232  
3,762,809 10/1973 Kato et al. .... 353/66





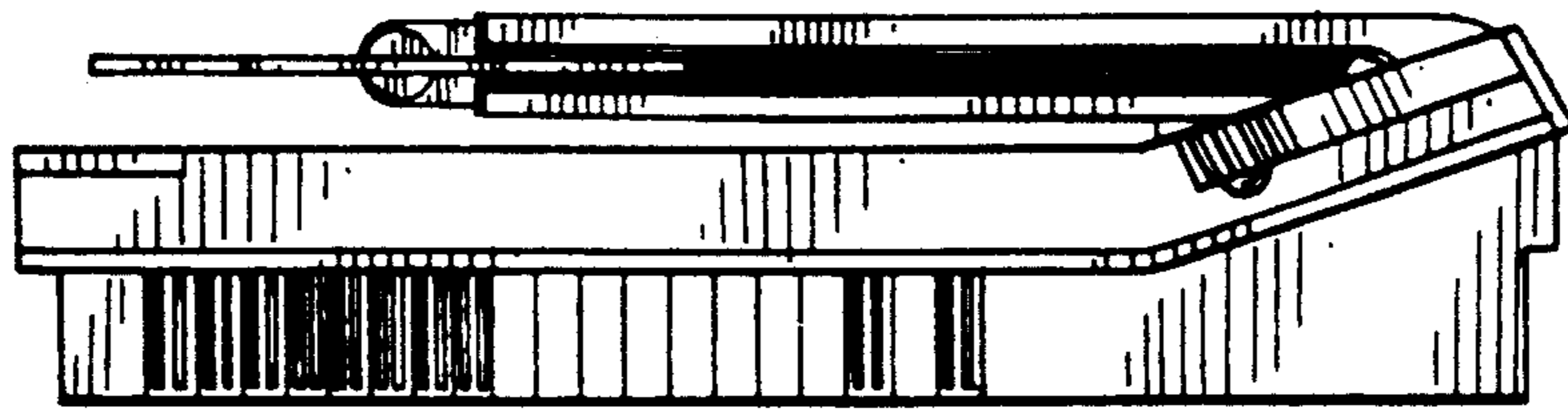


FIG. 4

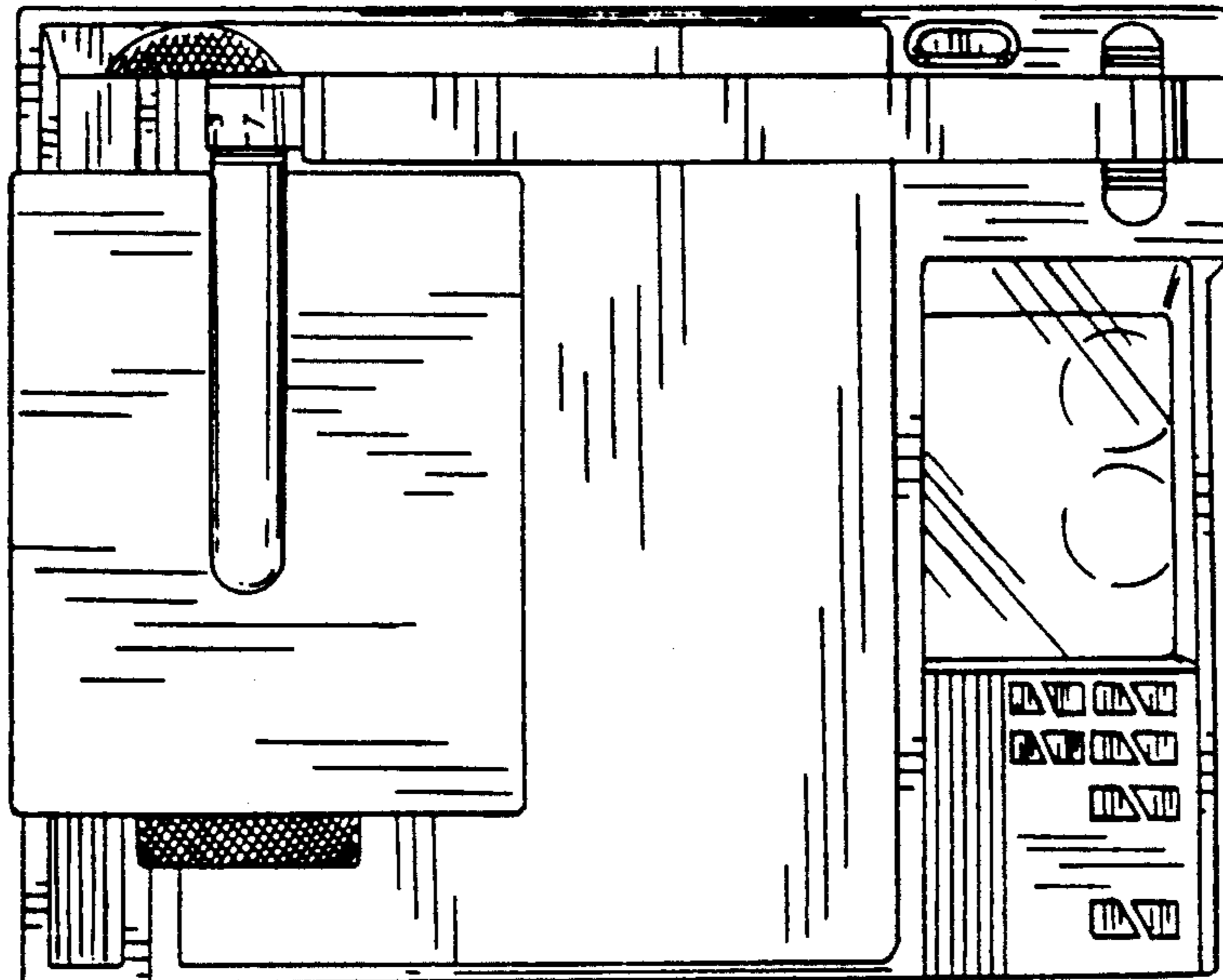


FIG. 5

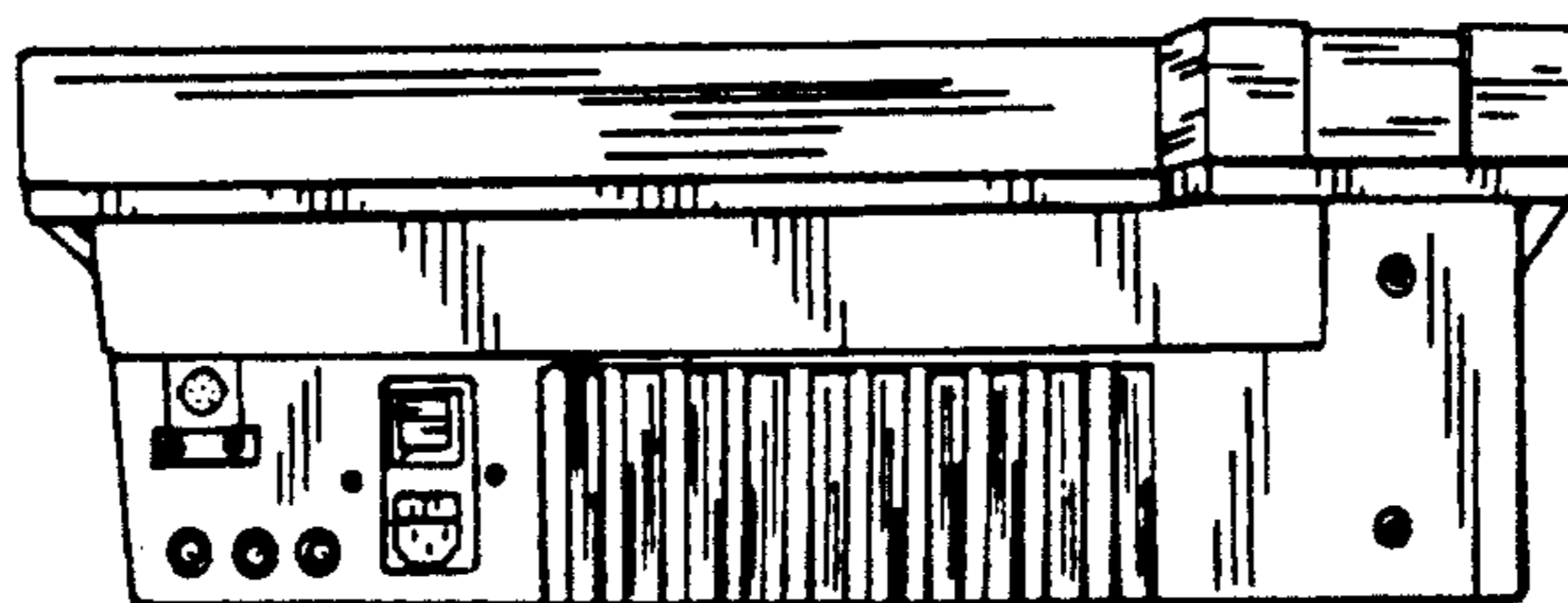


FIG. 6

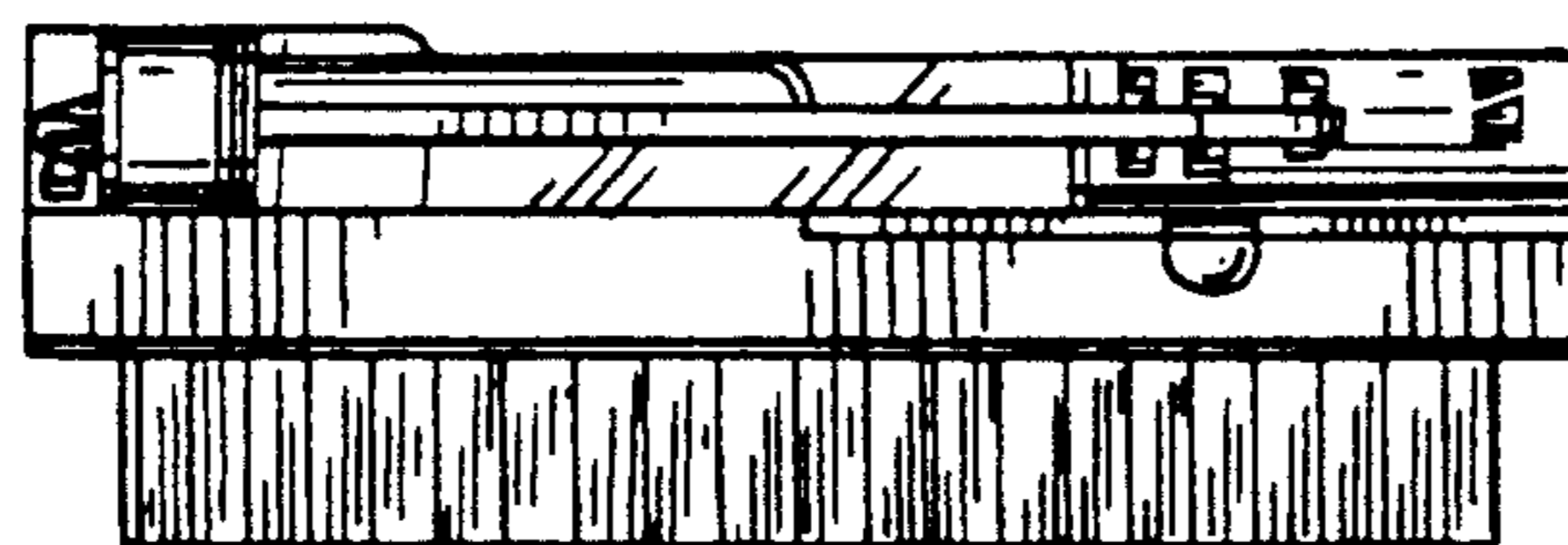


FIG. 7