



US00D332105S

United States Patent [19]

[11] Patent Number: **Des. 332,105**

Perry et al.

[45] Date of Patent: **** Dec. 29, 1992**

[54] **HOUSING FOR A MAIL HANDLING MACHINE**

[75] Inventors: **Alan Perry, Bletchley; Thomas E. Adams; Alan Wheeler**, both of Baldock Herts, all of England

[73] Assignee: **Inscerco Mfg. Inc.**, Crestwood, Ill.

[**] Term: **14 Years**

[21] Appl. No.: **495,319**

[22] Filed: **Mar. 19, 1990**

[52] U.S. Cl. **D15/199; D10/97**

[58] Field of Search **D6/432-439; D14/102; D15/145, 199, 146, 147; D10/96, 97; D18/51; 209/583, 534, 546, 900**

[56] **References Cited**

U.S. PATENT DOCUMENTS

- D. 144,989 6/1946 Spence D6/439
- D. 202,558 10/1965 Barbour D14/102
- D. 243,712 3/1977 Morris et al. D18/51
- D. 257,153 9/1980 Woods et al. D18/51

- D. 262,629 1/1982 Meyer D15/199 X
- D. 300,747 4/1989 Bain D15/147
- D. 301,150 5/1989 Bain D15/147
- D. 309,617 7/1990 Bain D15/199
- D. 313,051 12/1990 Haker D6/432 X
- 4,576,287 3/1986 Bingham et al. 209/900 X

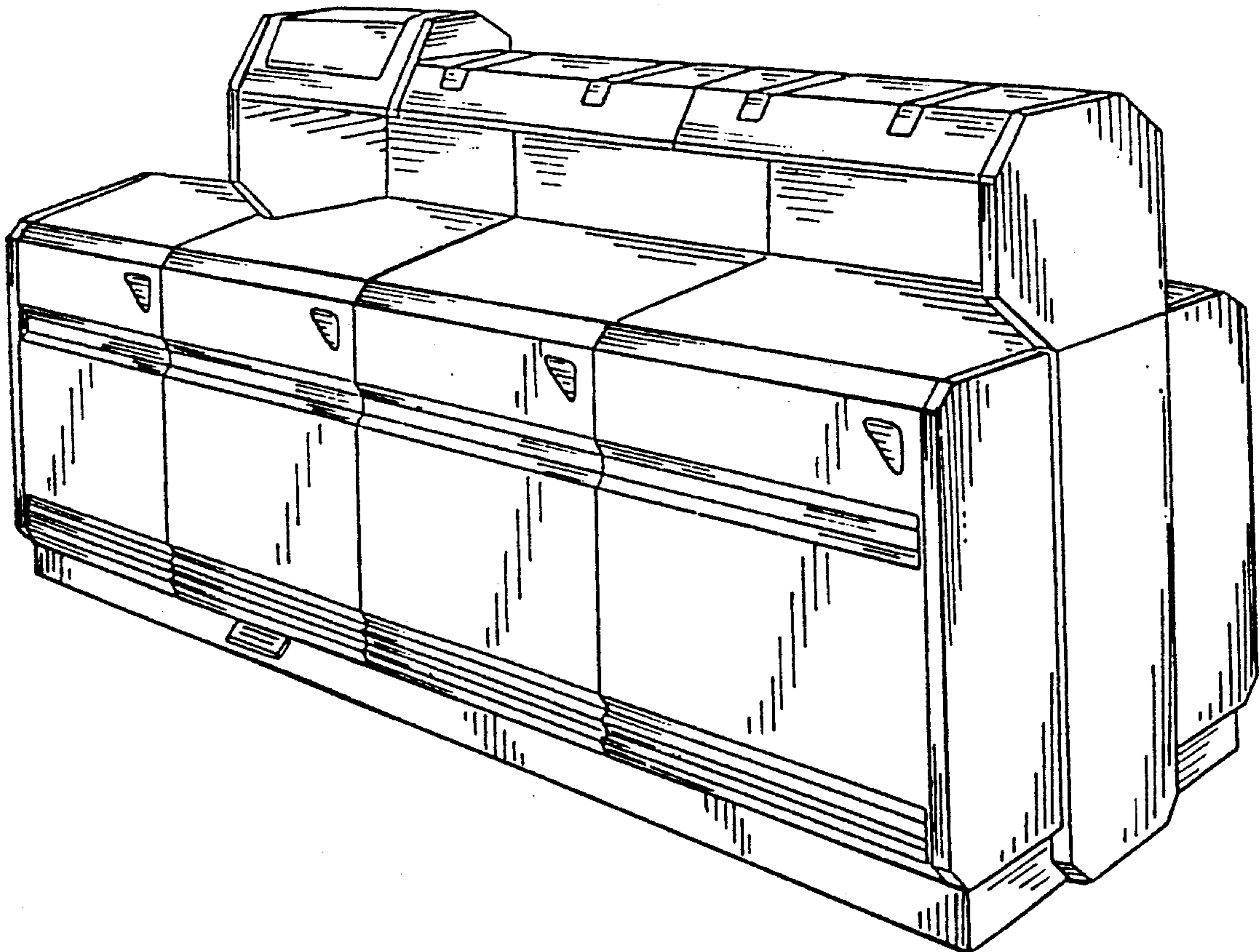
Primary Examiner—Carmen H. Vales-Lado
Attorney, Agent, or Firm—Olson & Hierl, Ltd.

[57] **CLAIM**

The ornamental design for a housing for a mail handling machine, as shown and described.

DESCRIPTION

FIG. 1 is a perspective view of a housing for a mail handling machine showing our new design; FIG. 2 is a front elevational view thereof; FIG. 3 is a right side elevational view thereof; FIG. 4 is a left side elevational view thereof; FIG. 5 is a rear elevational view thereof; FIG. 6 is a top plan view thereof; and, FIG. 7 is a perspective view of a second embodiment of the housing for a mail handling machine shown in FIG. 1.



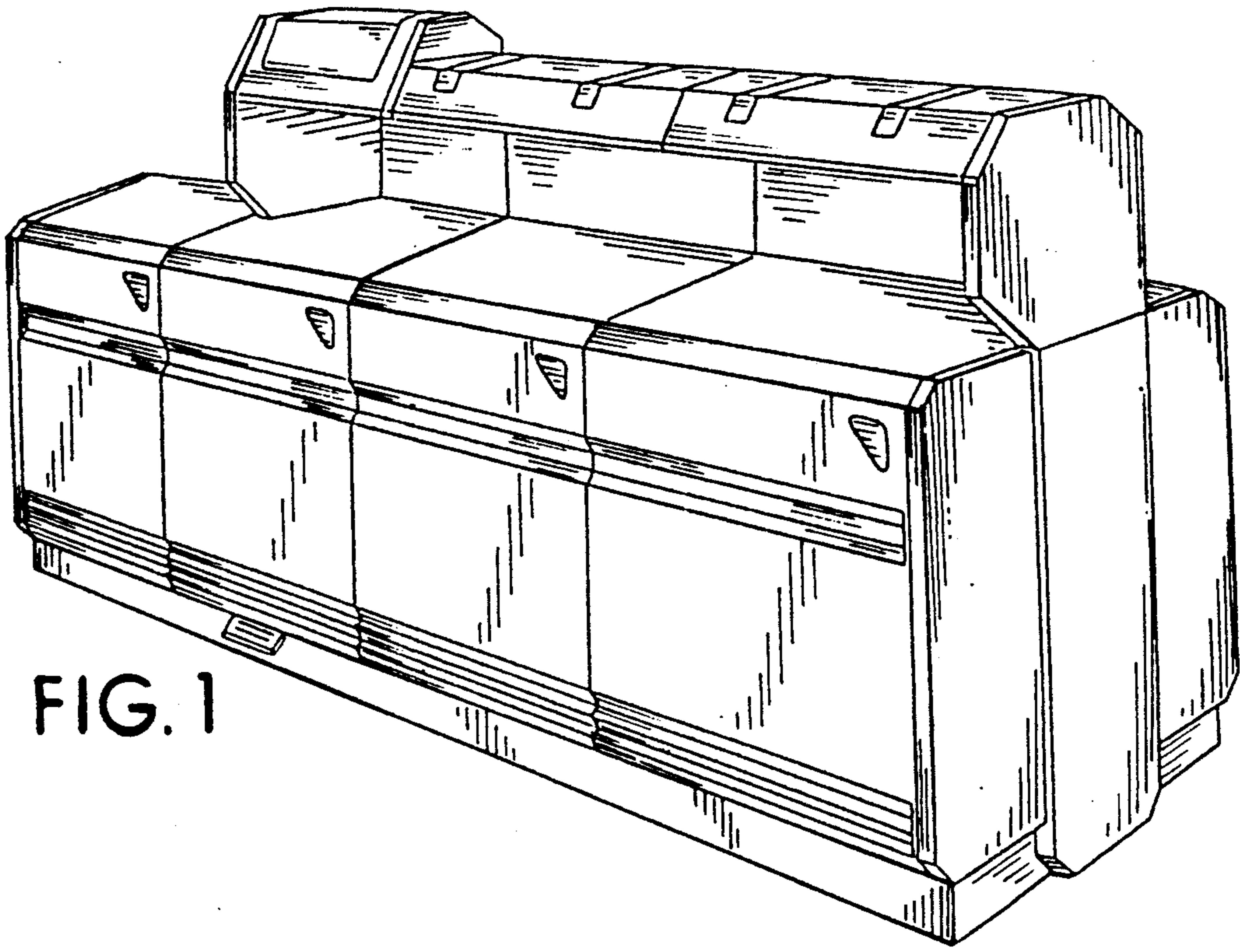


FIG. 1

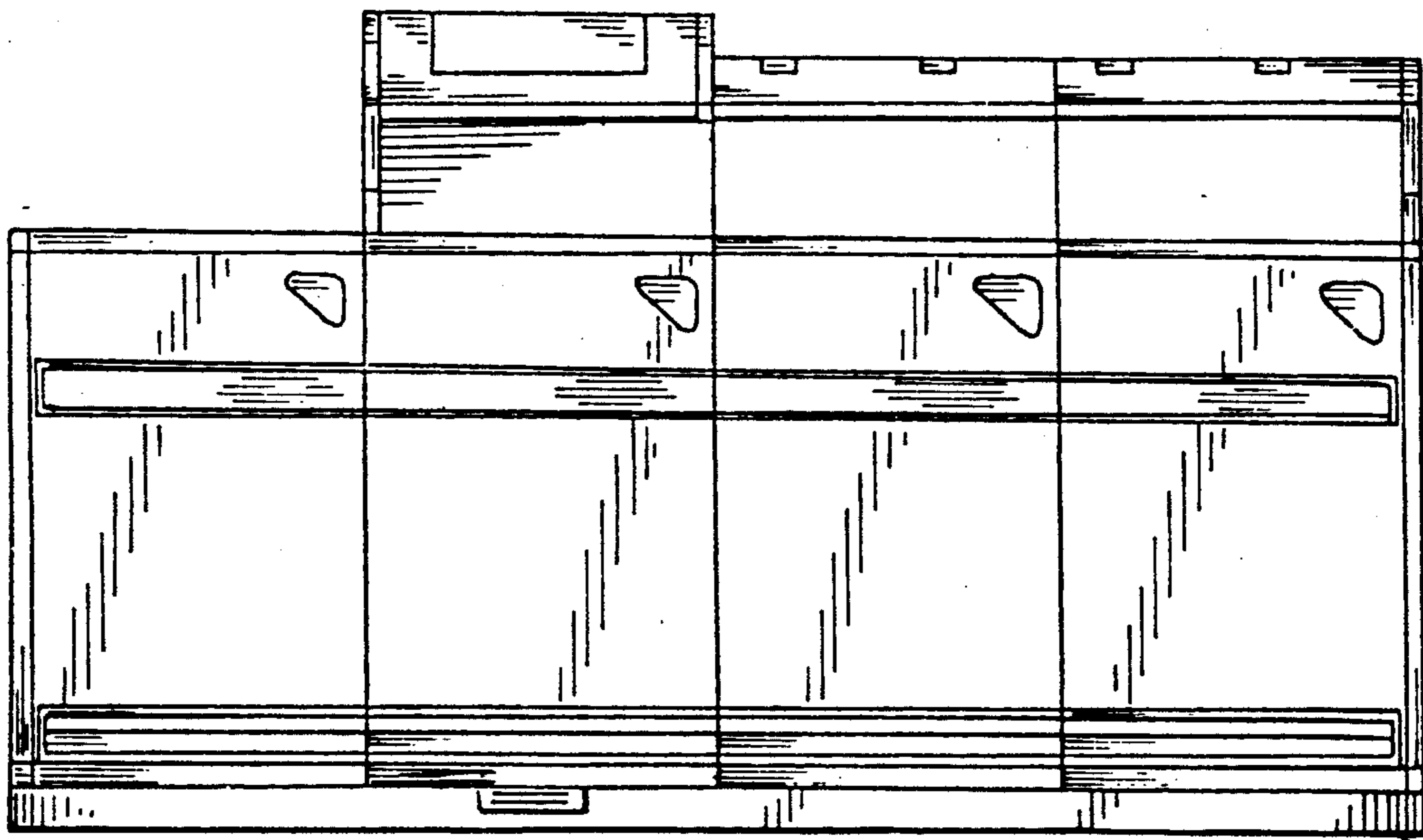


FIG. 2

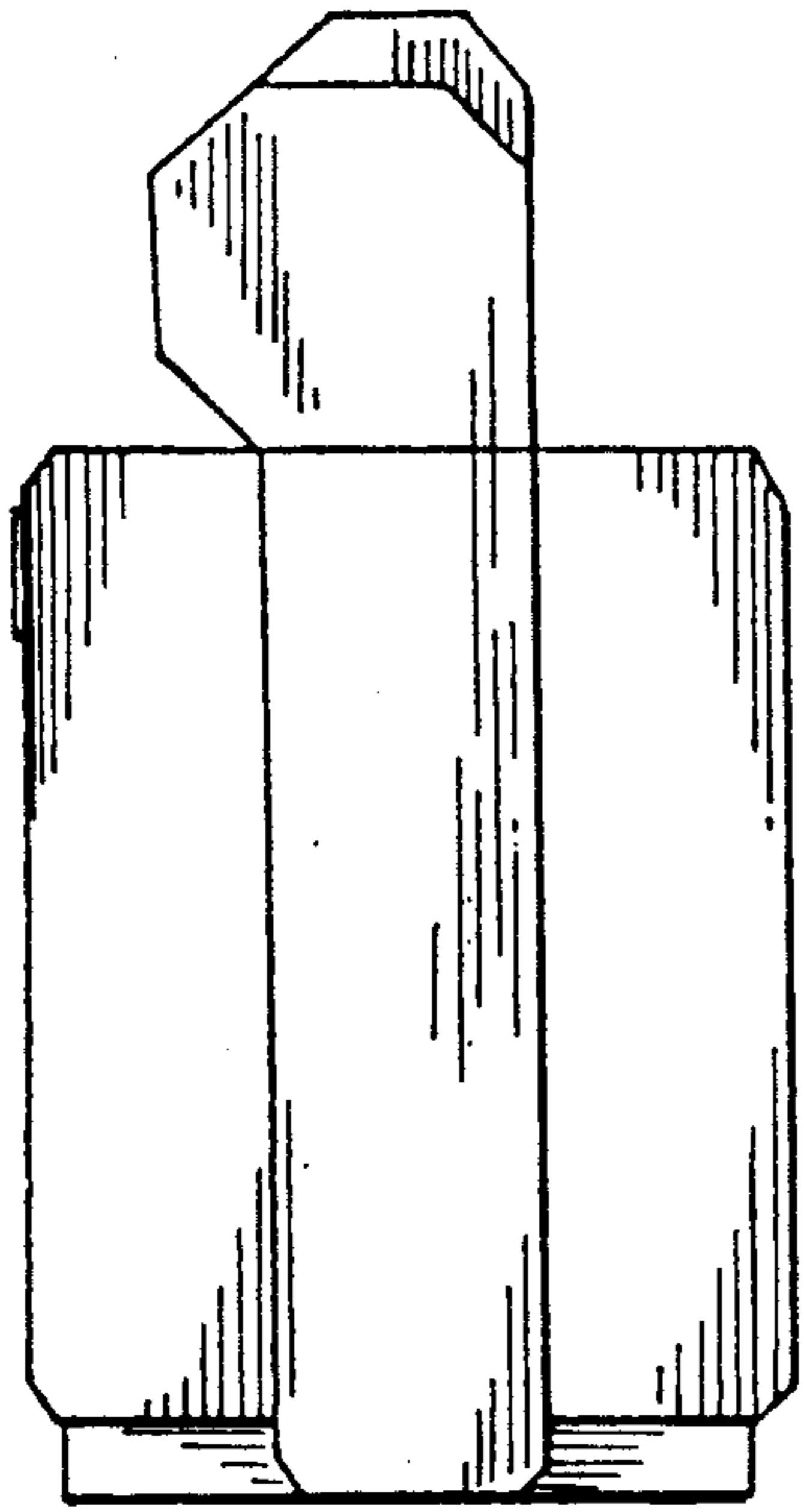


FIG. 3

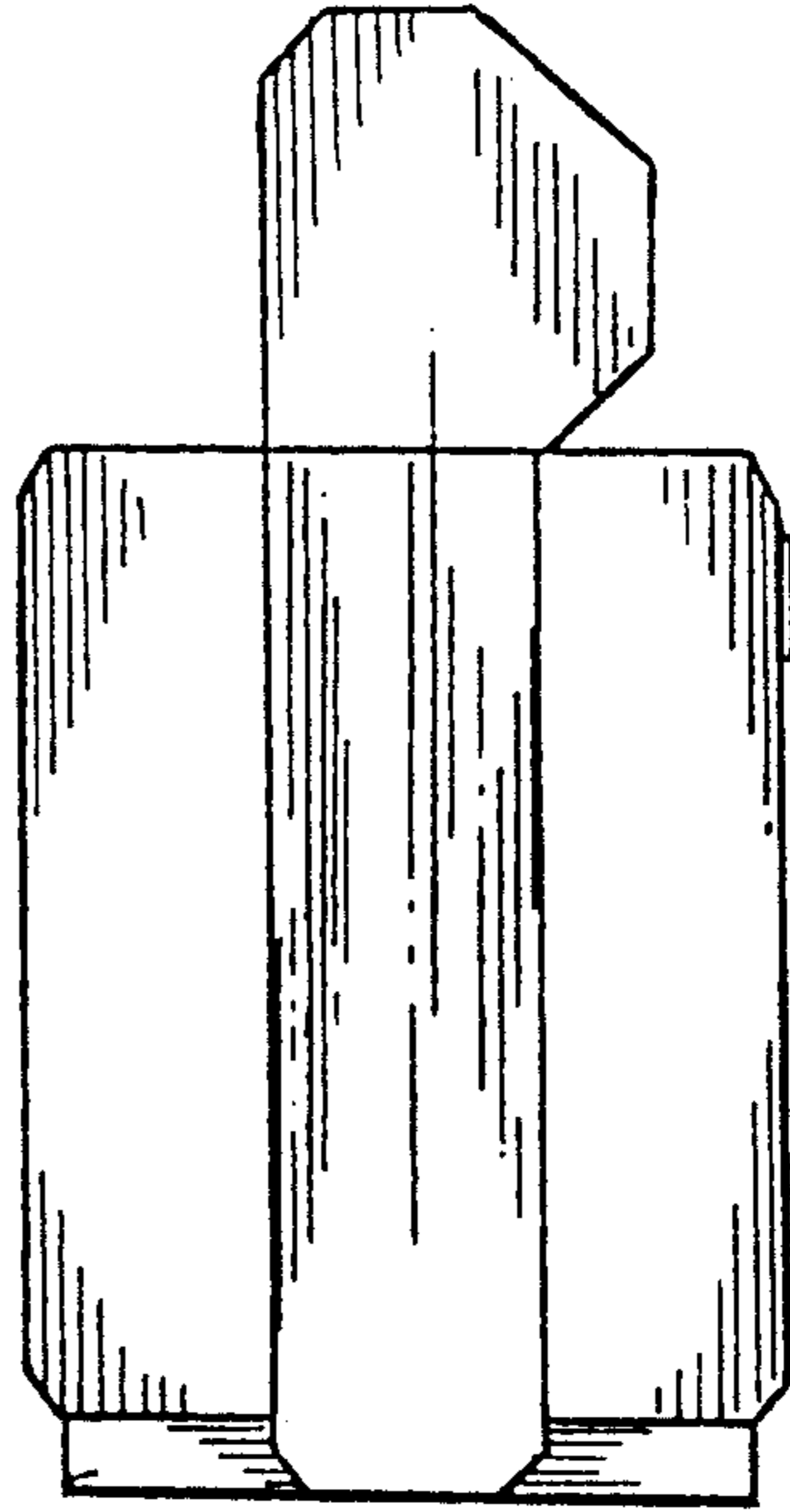


FIG. 4

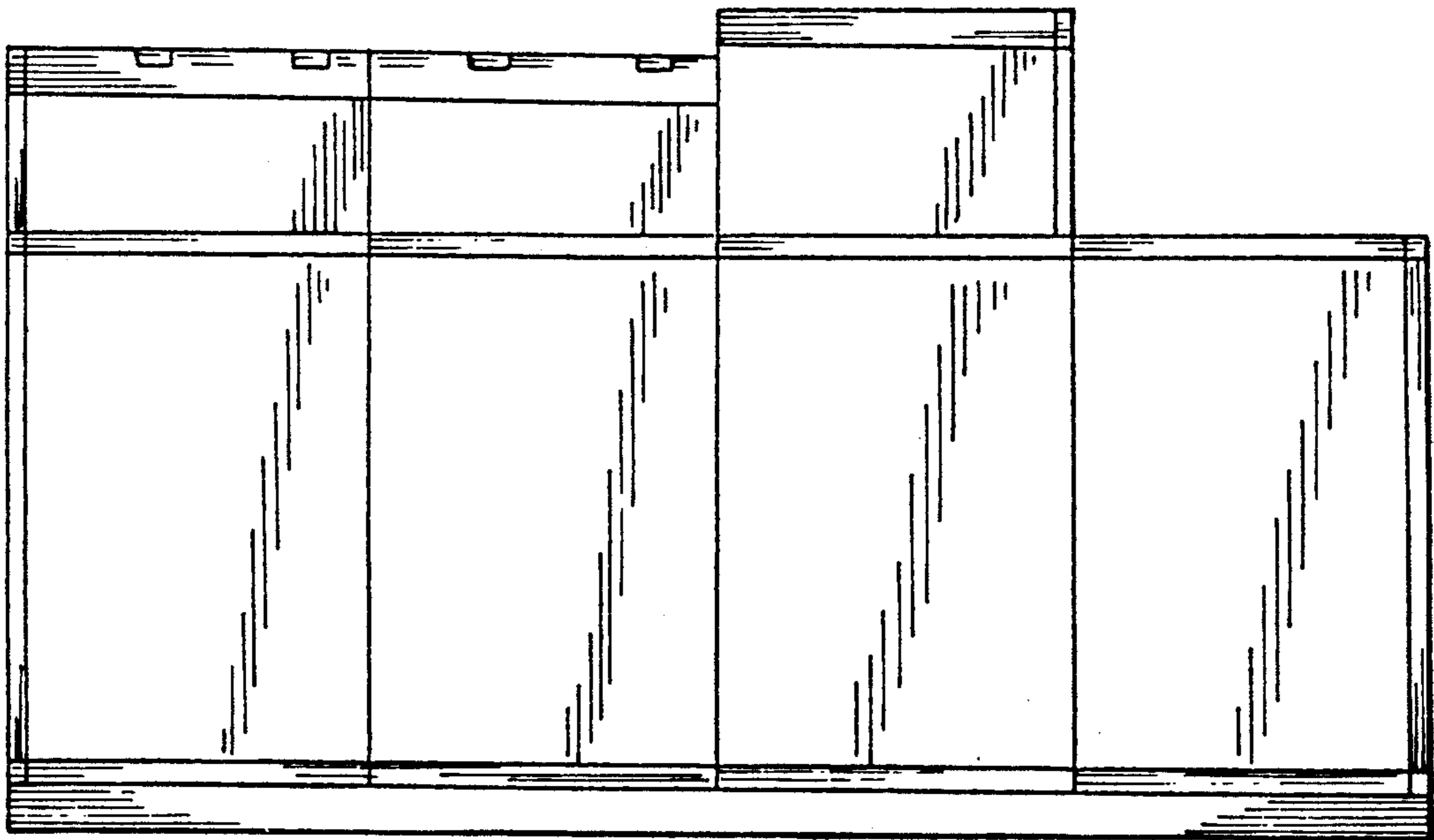


FIG. 5

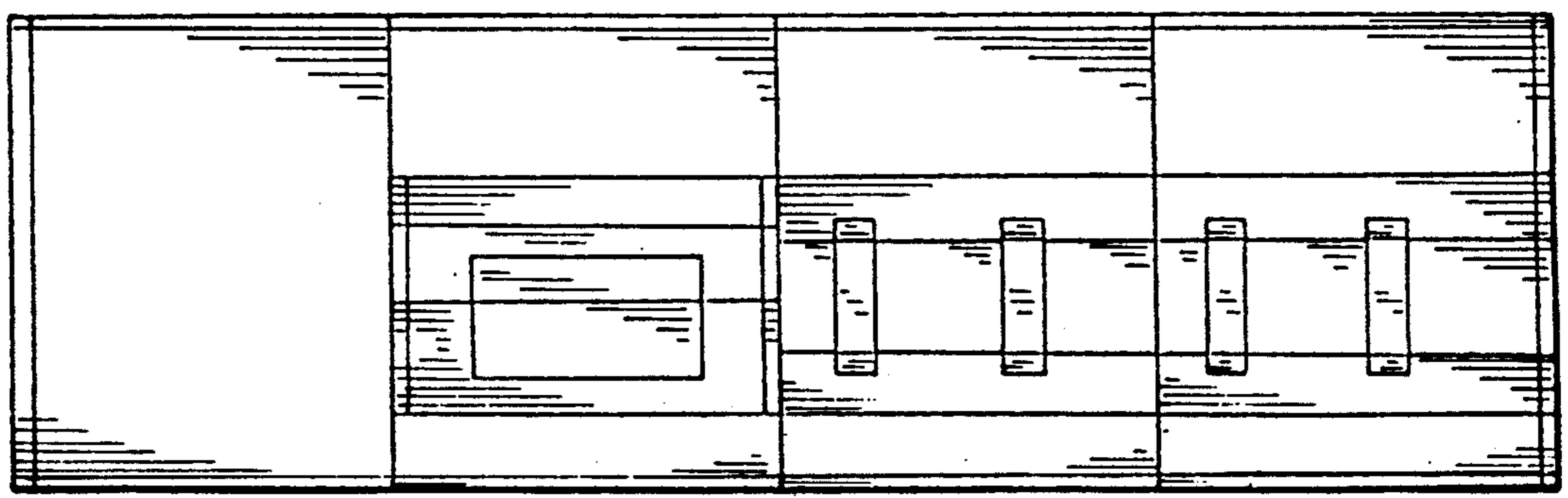


FIG. 6

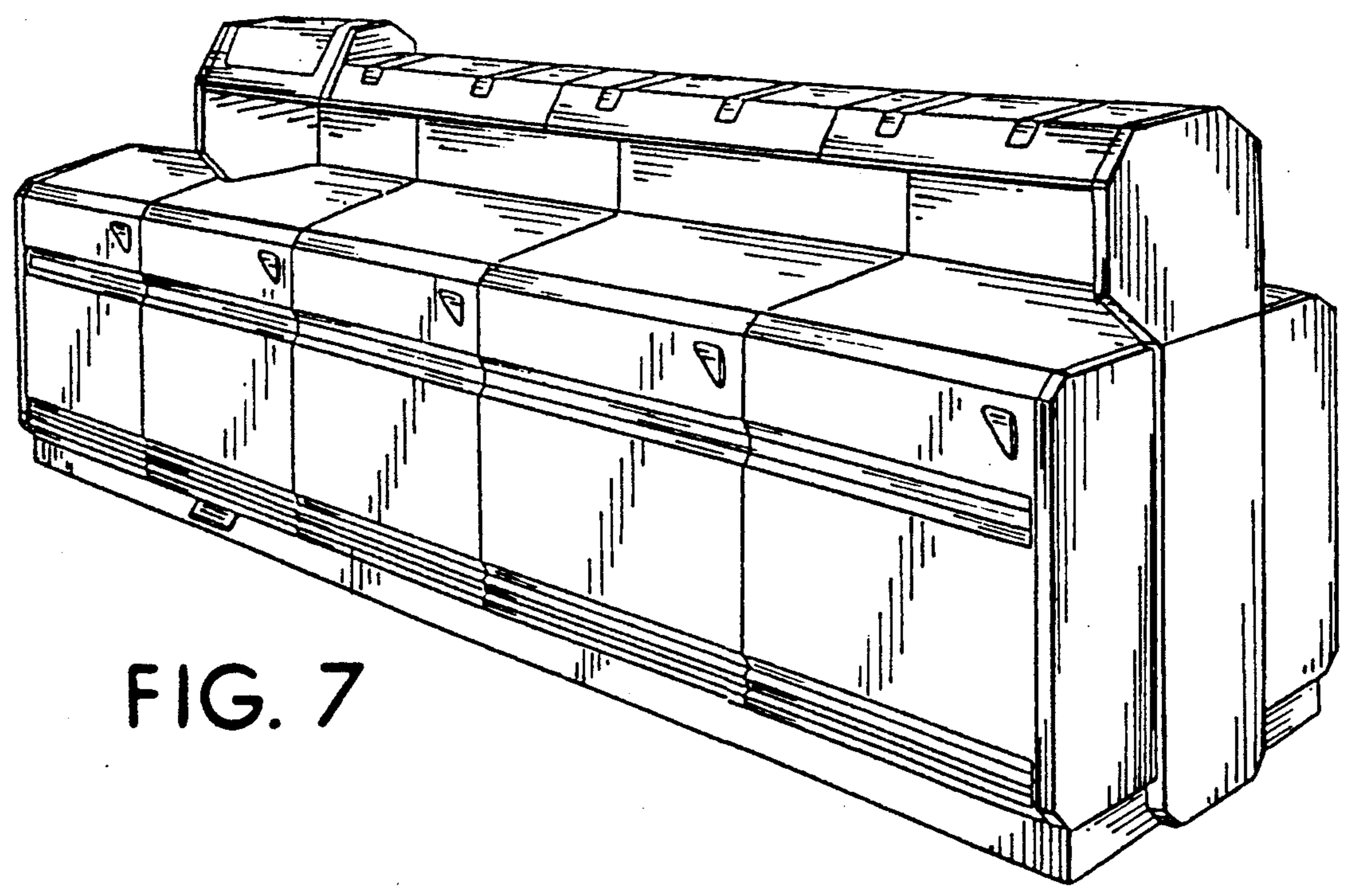


FIG. 7