



US00D332104S

United States Patent [19]

Okuda

[11] Patent Number: **Des. 332,104**

[45] Date of Patent: **** Dec. 29, 1992**

[54] **NUMERICALLY CONTROLLED DRILLING MACHINE**

[75] Inventor: **Shinji Okuda, Yamanashi, Japan**

[73] Assignee: **Fanuc Ltd., Minamitsuru, Japan**

[**] Term: **14 Years**

[21] Appl. No.: **704,639**

[22] Filed: **May 23, 1991**

[30] **Foreign Application Priority Data**

Mar. 14, 1991 [JP] Japan 3-6677

[52] U.S. Cl. **D15/132**

[58] Field of Search D15/132, 199; 29/568; 483/3

[56] **References Cited**

U.S. PATENT DOCUMENTS

- D. 176,450 12/1955 Djidich D15/132 X
- D. 277,679 2/1985 Kitamura D15/132 X
- 4,551,953 11/1985 Lewandowski 483/3 X

- 4,601,094 7/1986 Myers 483/3
- 4,742,609 5/1988 Neumann 483/3
- 4,831,714 5/1989 Badel et al. 483/3

Primary Examiner—Donald P. Walsh
Assistant Examiner—Antoine D. Davis
Attorney, Agent, or Firm—Staas & Halsey

[57] **CLAIM**

The ornamental design for a numerically controlled drilling machine, as shown.

DESCRIPTION

FIG. 1 is a front elevational view of a numerically controlled drilling machine showing my new design; FIG. 2 is a right side elevational view; FIG. 3 is a left side elevational view; FIG. 4 is a rear elevational view; FIG. 5 is a top plan view; FIG. 6 is a bottom plan view; and, FIG. 7 is a perspective view thereof. FIG. 7 has been drawn on an enlarged scale with respect to FIGS. 1-6.

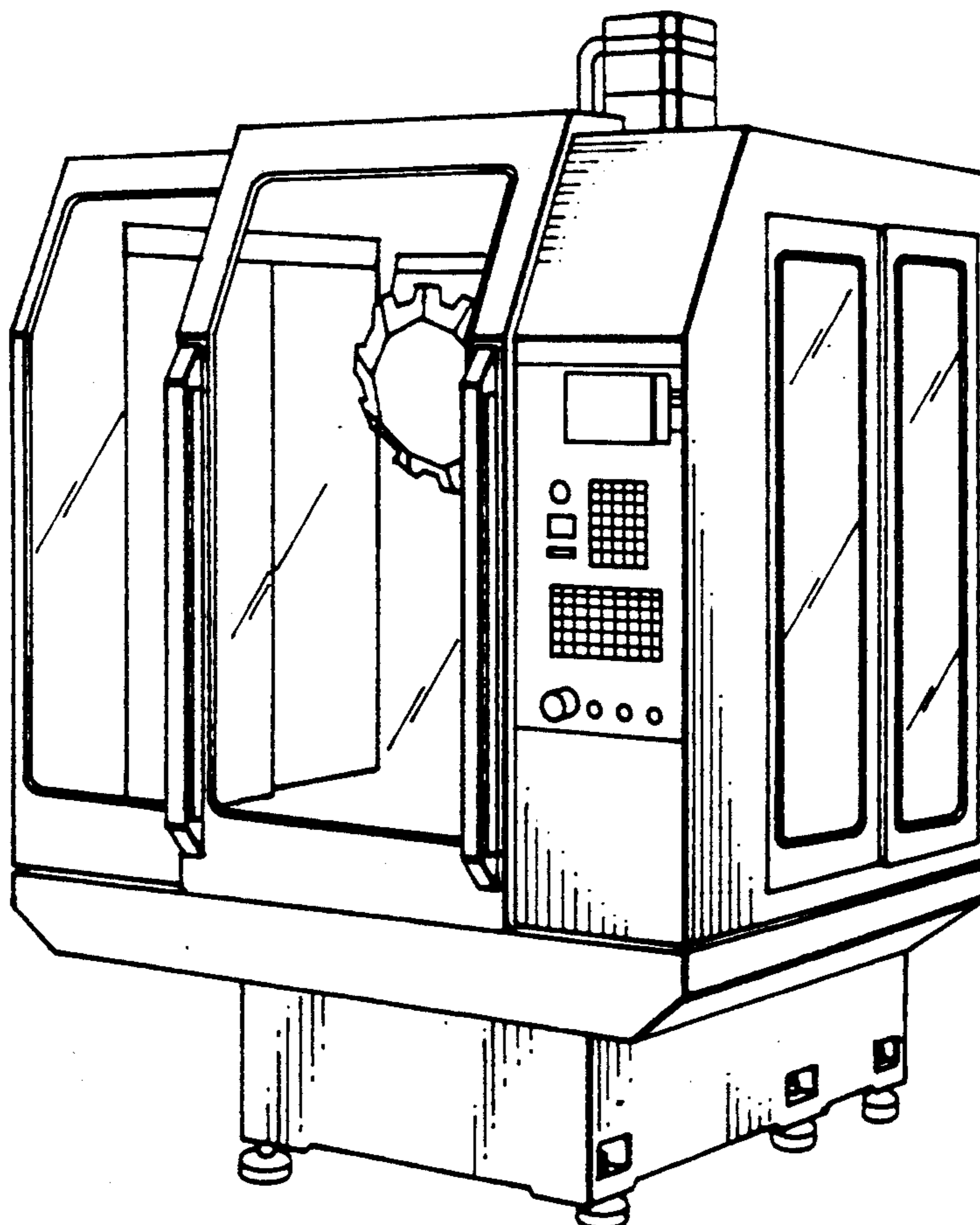


FIG. 2

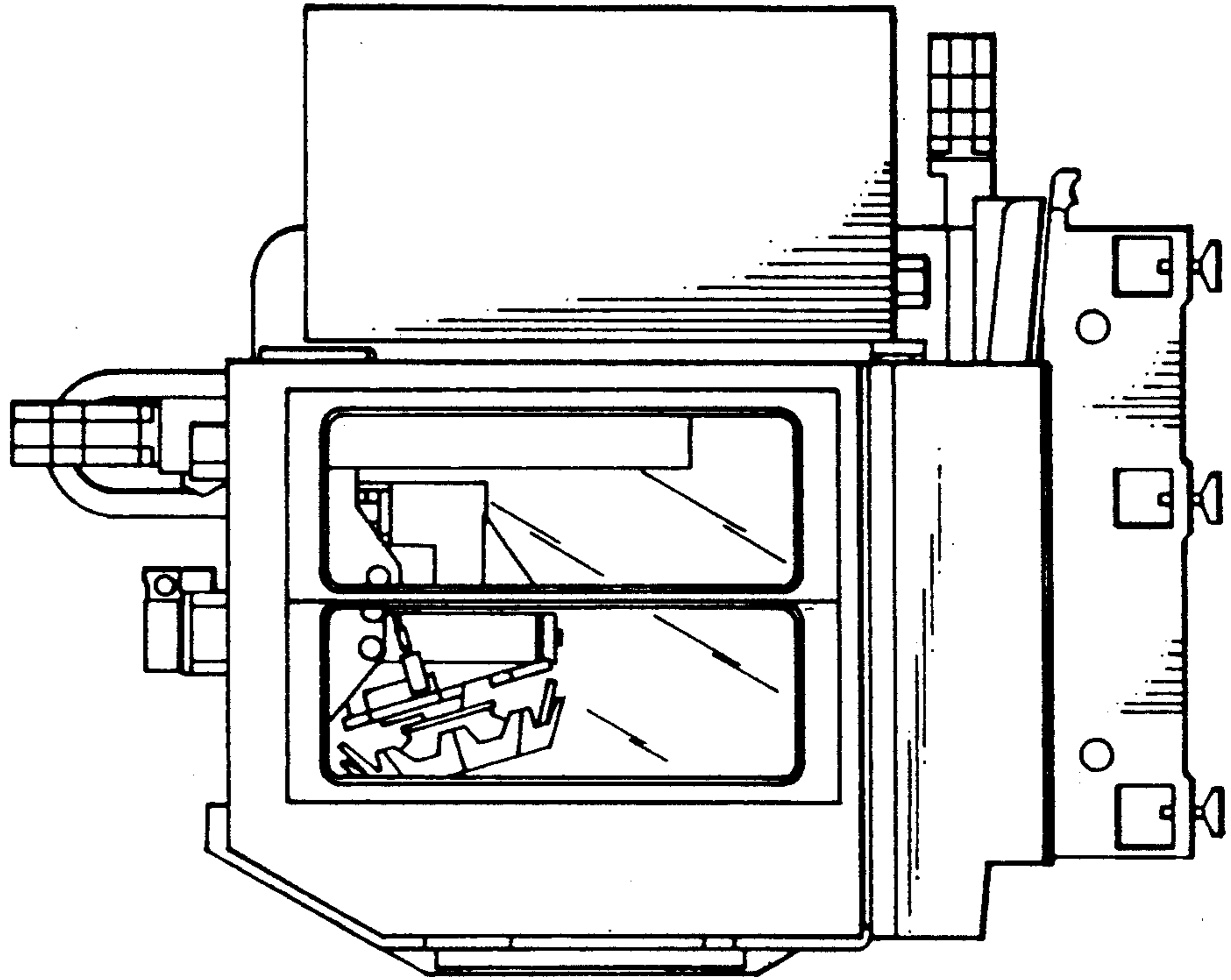


FIG. 1

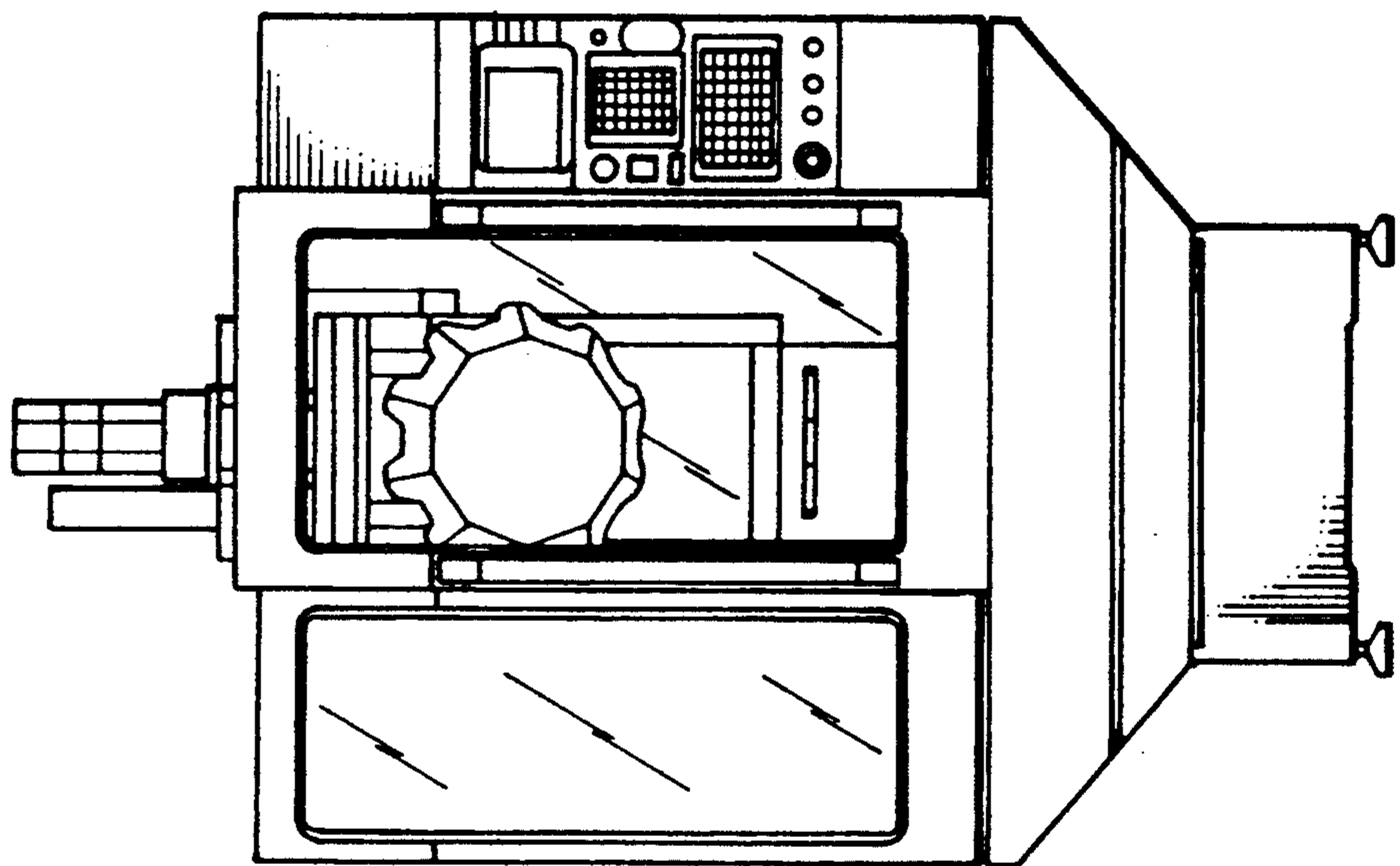


FIG. 4

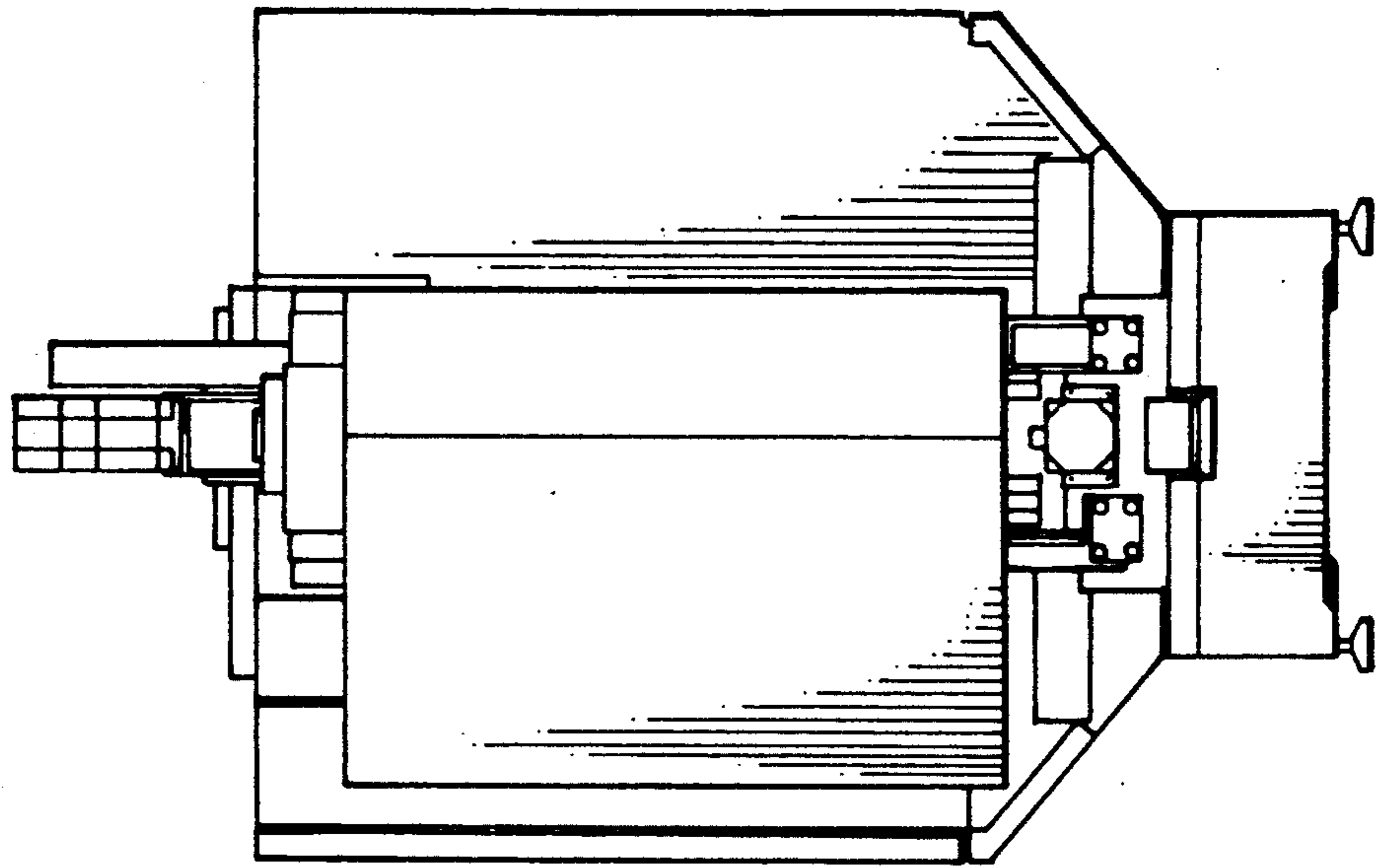


FIG. 3

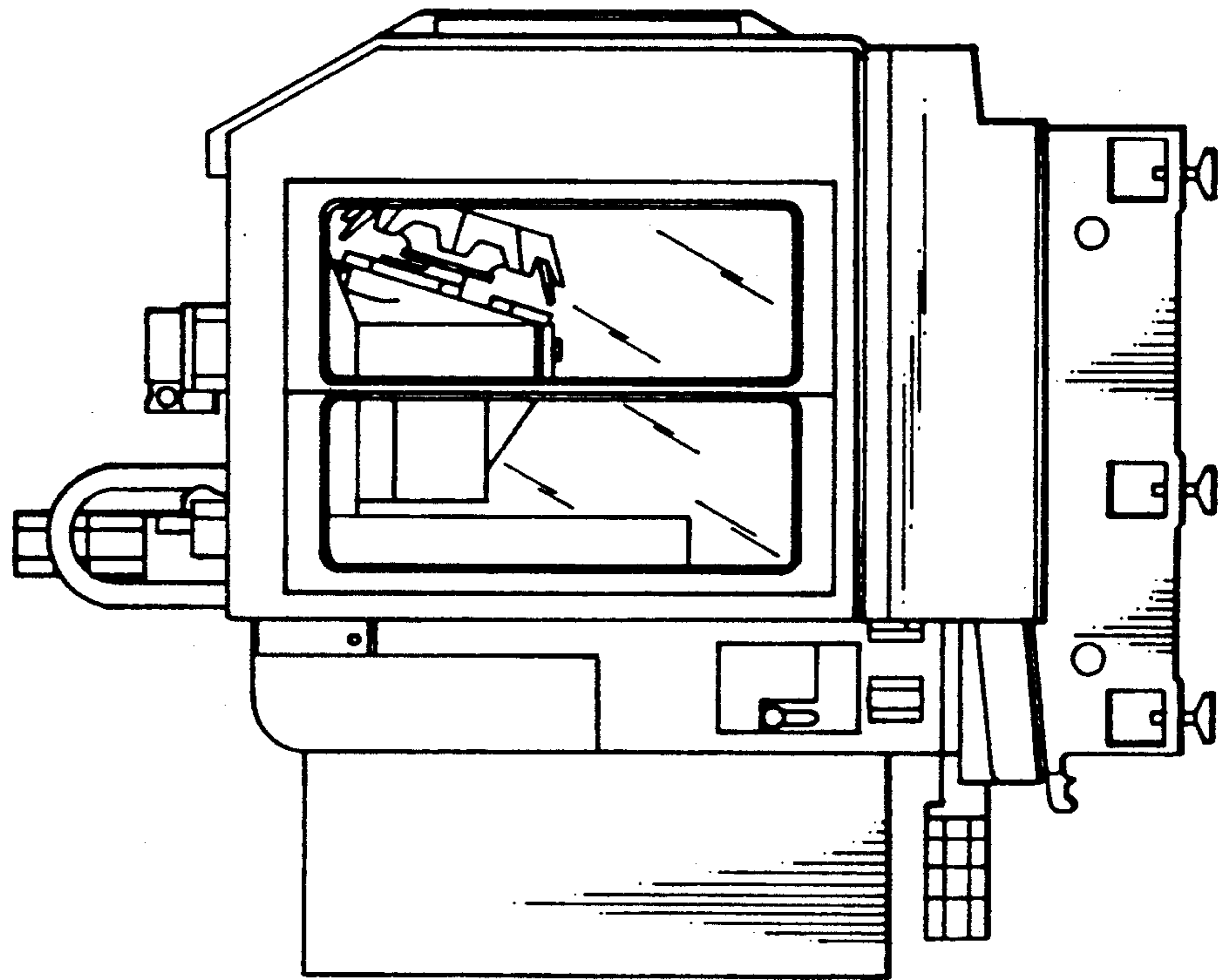


FIG. 6

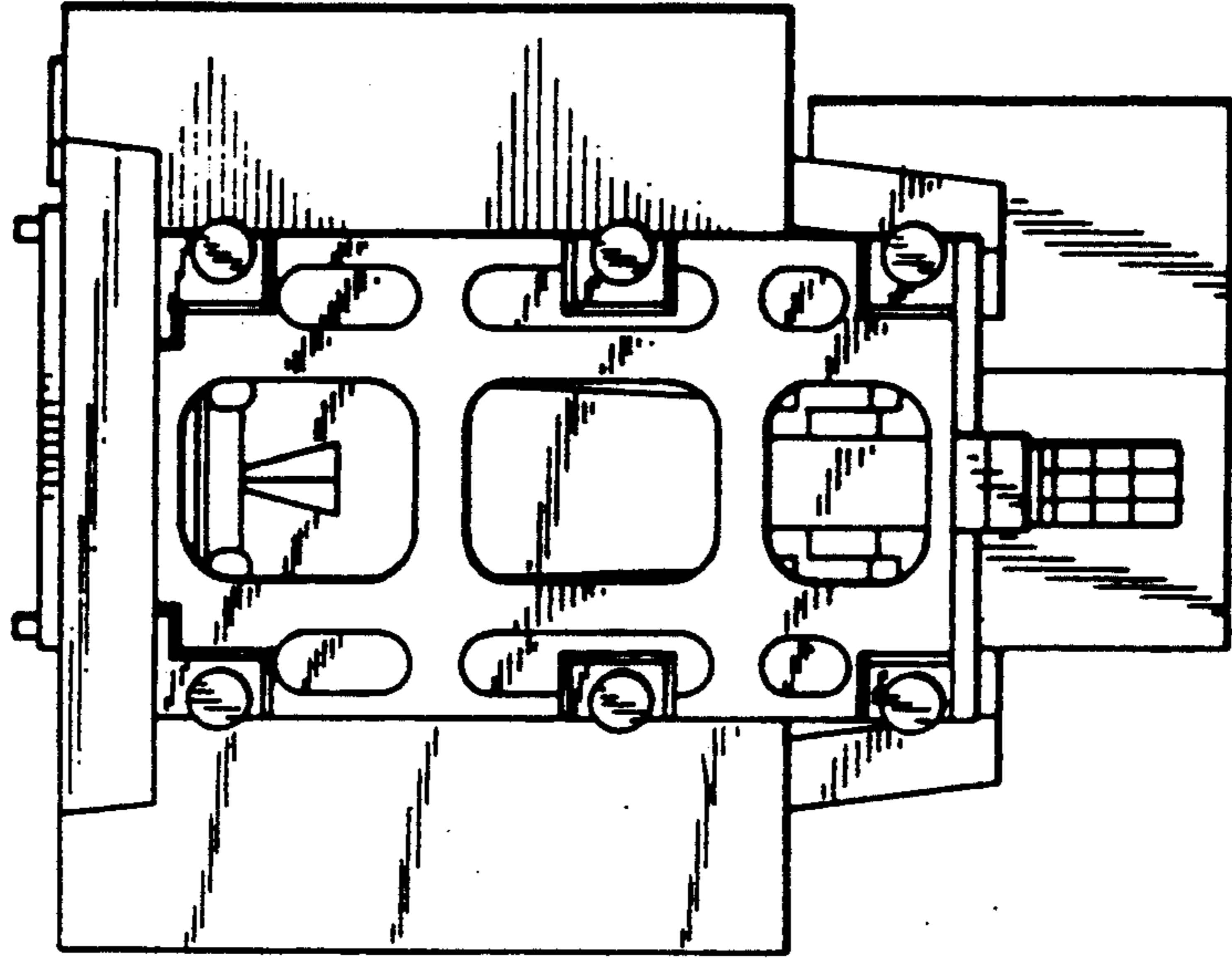


FIG. 5

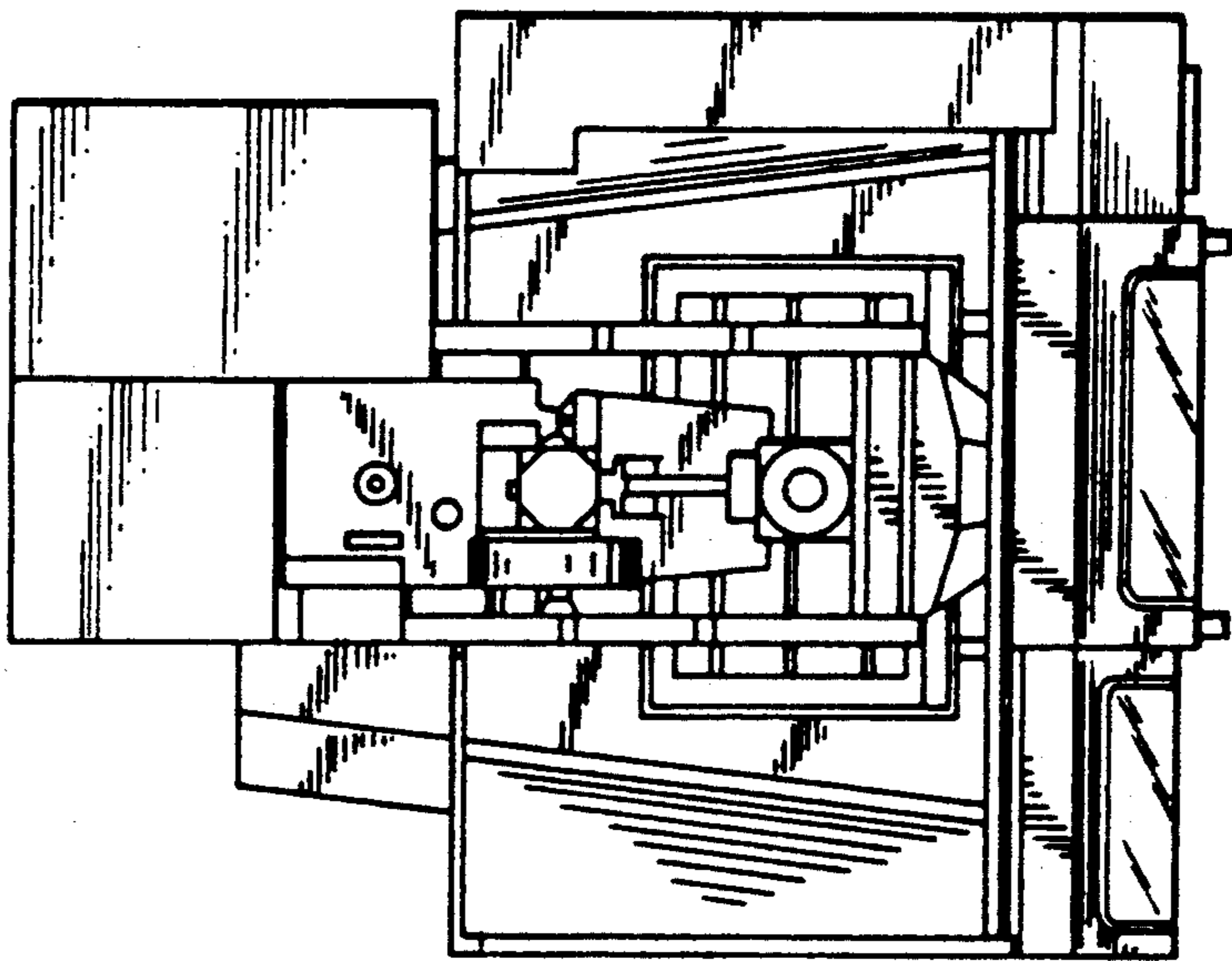


FIG. 7

