



US00D332101S

United States Patent [19]

[11] Patent Number: Des. 332,101

Aizawa

[45] Date of Patent: ** Dec. 29, 1992

[54] AIR CYLINDER

D. 295,753 5/1988 LaBair D15/7
4,597,721 7/1986 Santefort 91/275

[75] Inventor: Akira Aizawa, Soka, Japan

Primary Examiner—A. Hugo Word

[73] Assignee: SMC Corporation, Tokyo, Japan

Assistant Examiner—R. Seifert

[**] Term: 14 Years

Attorney, Agent, or Firm—Oblon, Spivak, McClelland,
Maier & Neustadt

[21] Appl. No.: 488,968

[57] CLAIM

[22] Filed: Feb. 28, 1990

The ornamental design for an air cylinder, as shown.

[30] Foreign Application Priority Data

DESCRIPTION

Aug. 30, 1989 [JP] Japan 1-31576

[52] U.S. Cl. D15/7; D15/5

[58] Field of Search D15/1, 2, 4, 5, 7-9;
417/403, 404; 91/275

FIG. 1 is a front elevational view of an air cylinder showing my new design;

FIG. 2 is a right side elevational view;

FIG. 3 is a left side elevational view;

FIG. 4 is a top plan view;

FIG. 5 is a bottom plan view;

FIG. 6 is a cross sectional view taken along the lines 6—6 of FIG. 2; and,

FIG. 7 is a perspective view.

[56] References Cited

U.S. PATENT DOCUMENTS

D. 244,681 6/1977 Bell D15/7

D. 264,972 6/1982 McMillin et al. D15/7

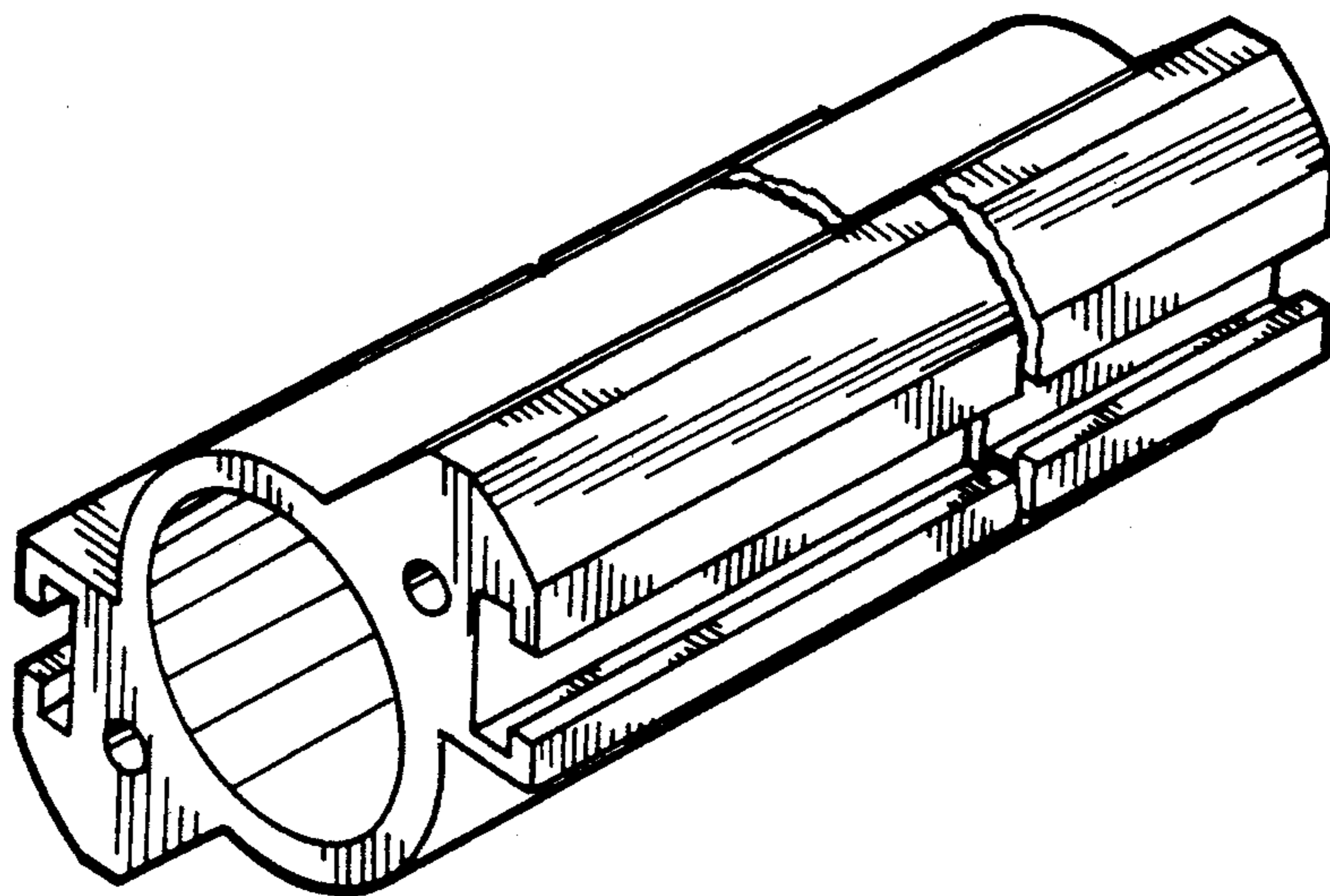


FIG. 1

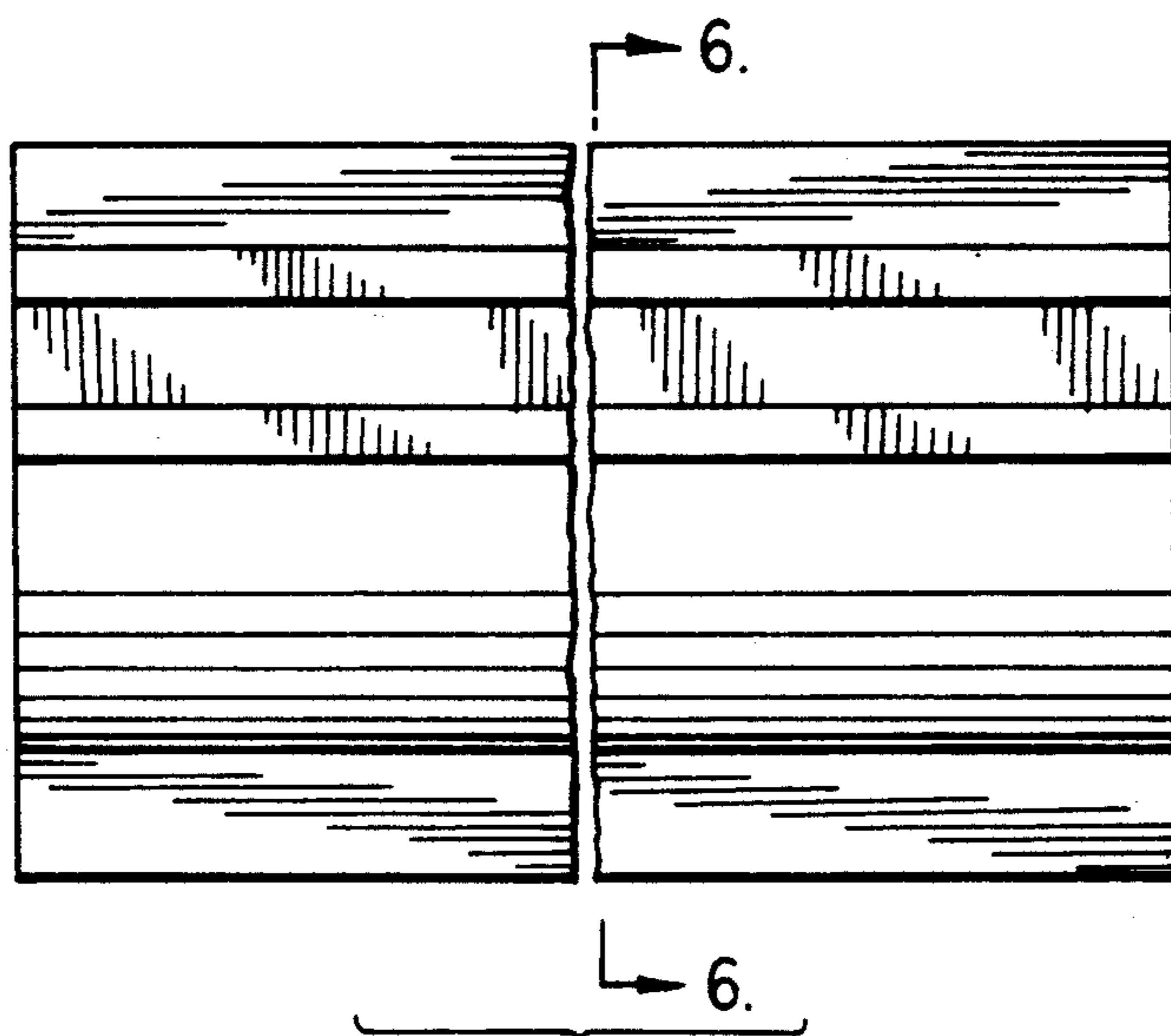
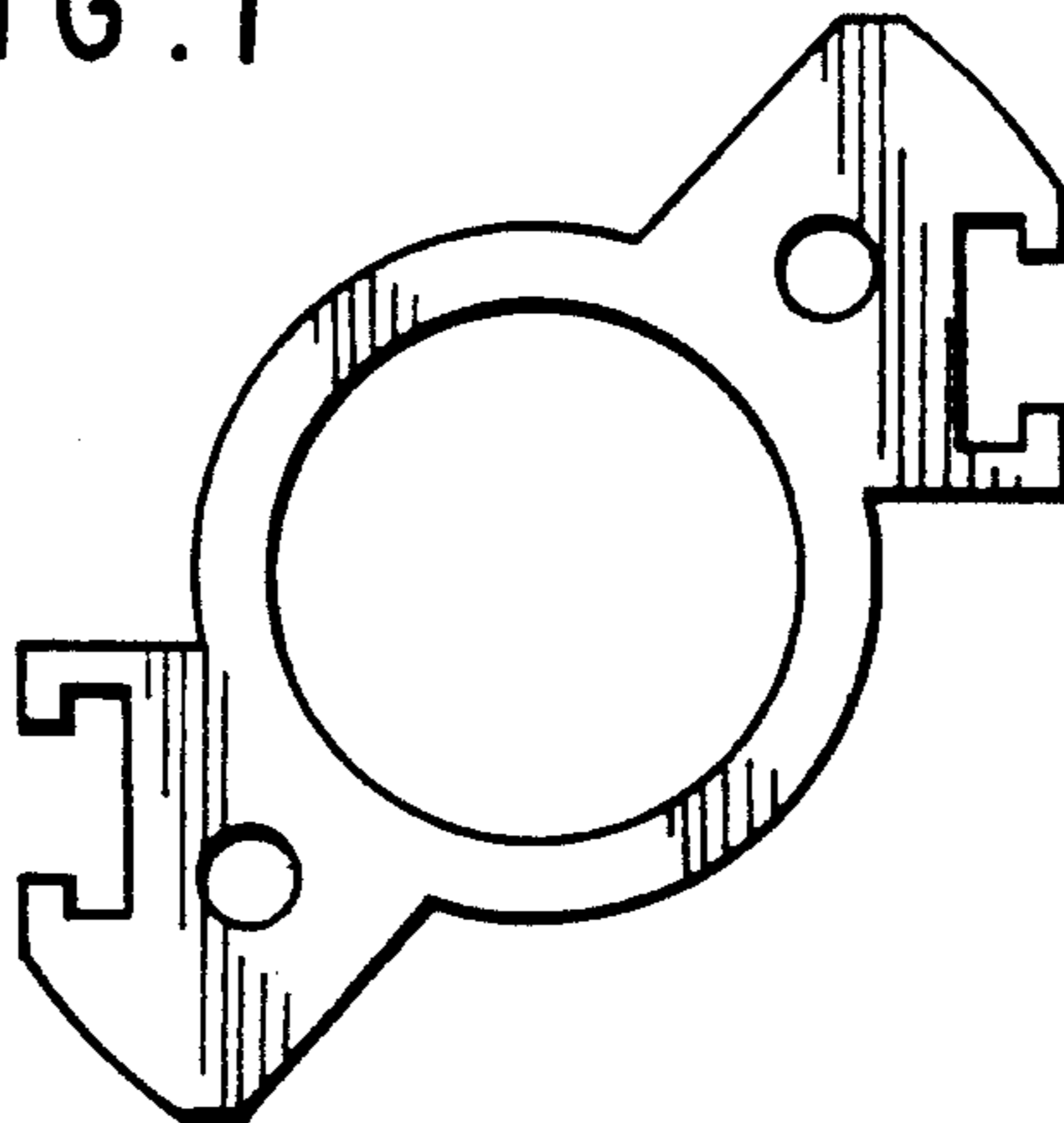


FIG. 2

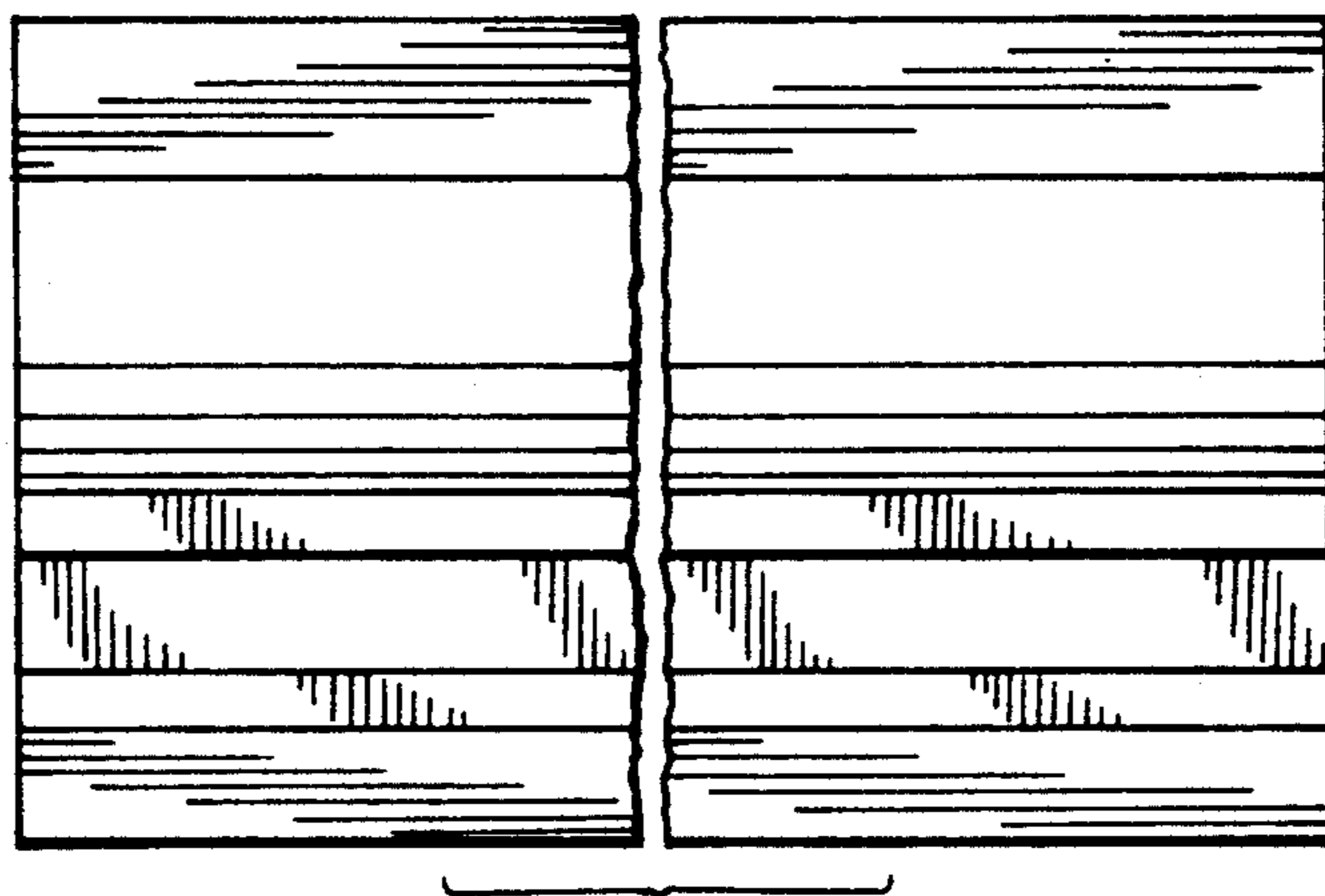


FIG. 3

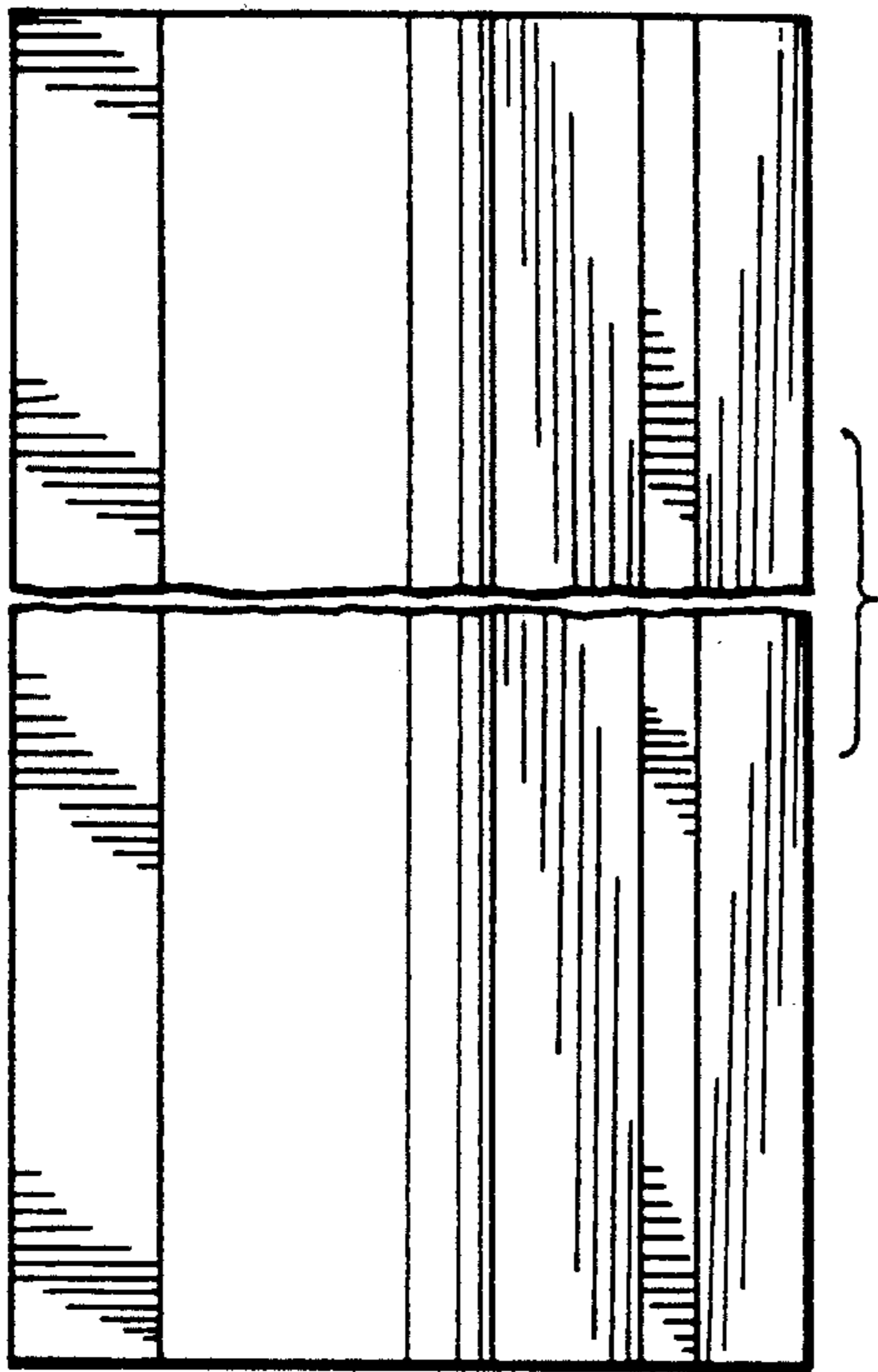


FIG. 4

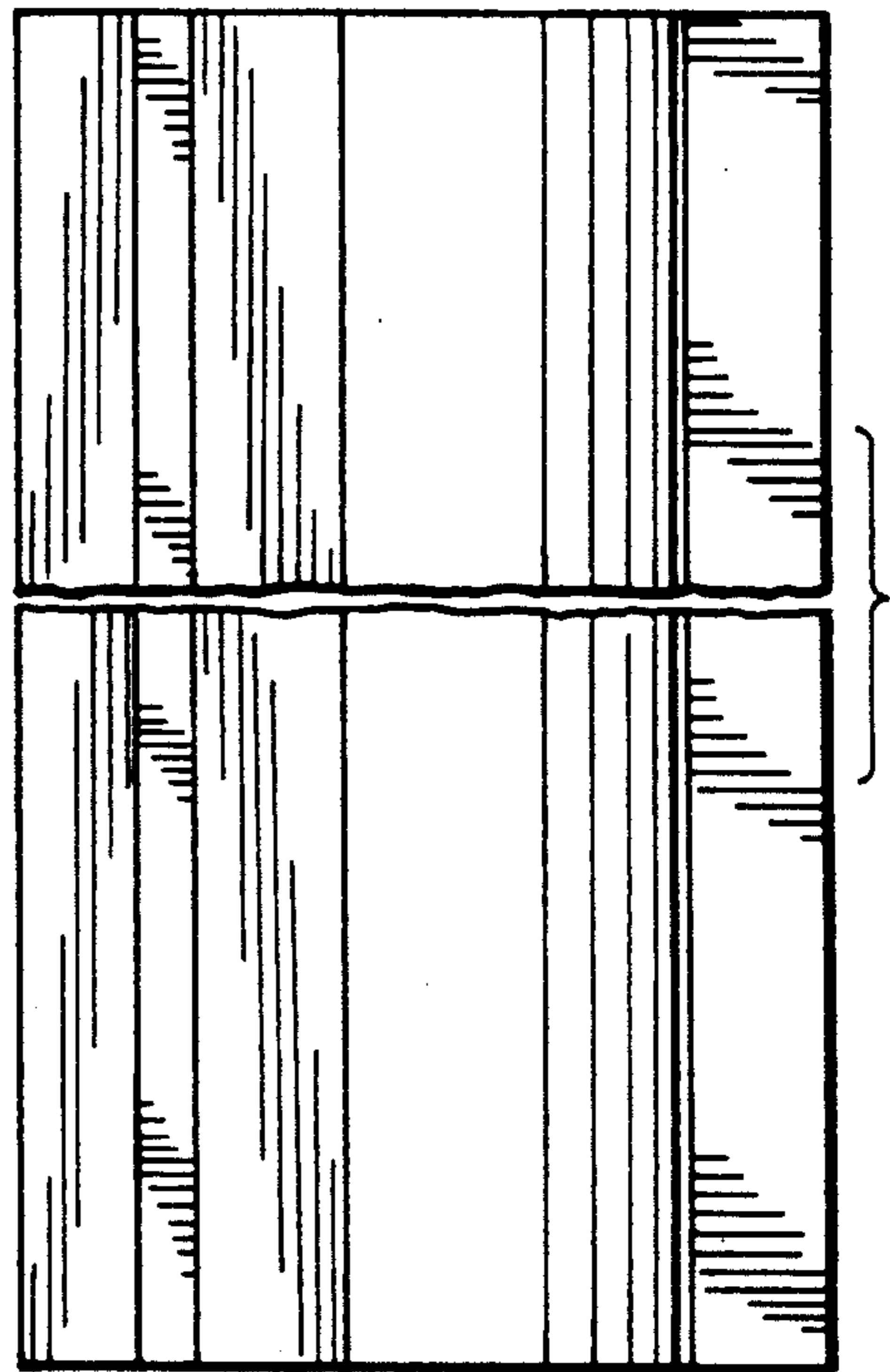


FIG. 5

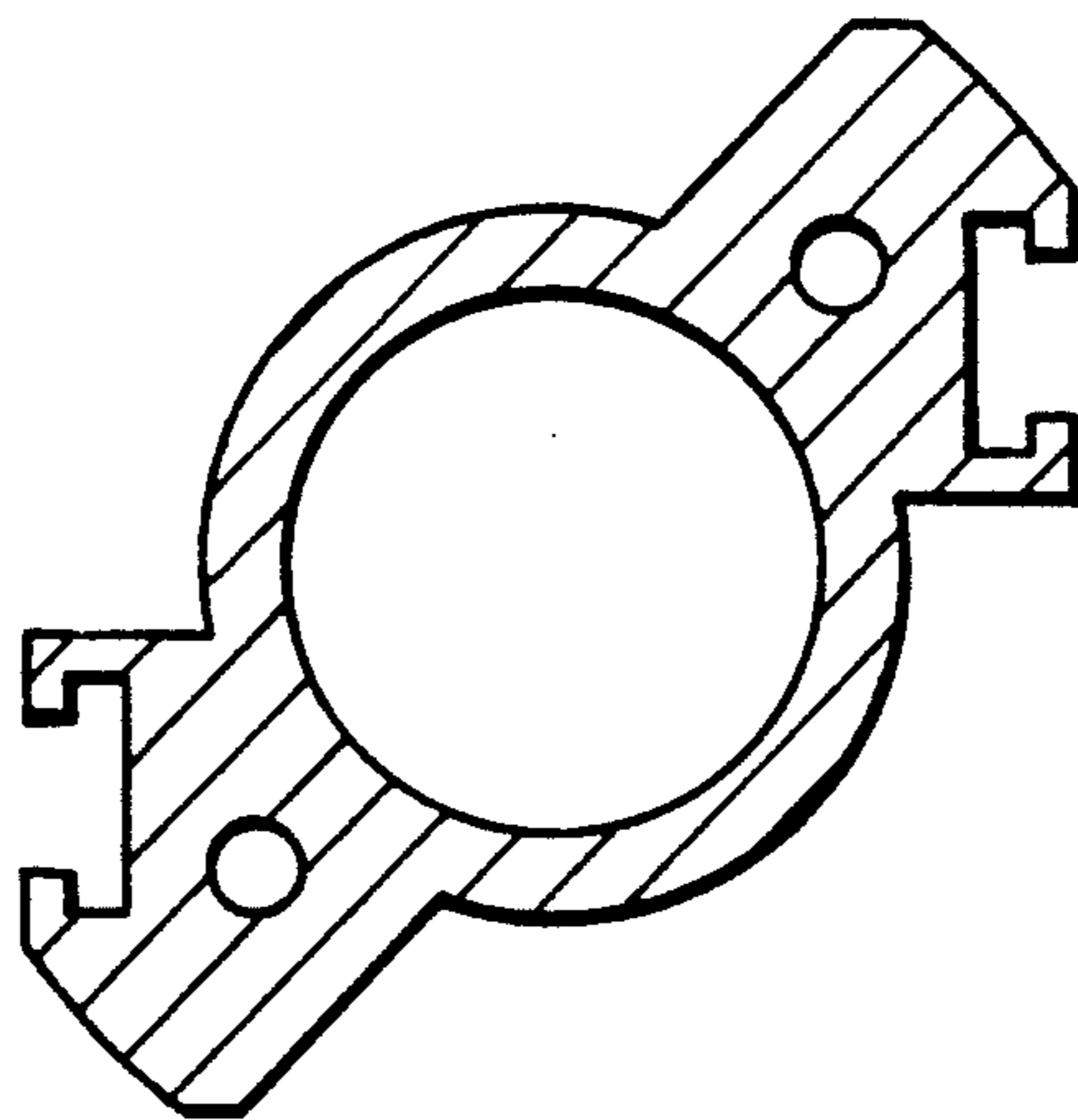


FIG. 6

FIG. 7

