



US00D332097S

United States Patent [19]

[11] Patent Number: **Des. 332,097**

Gosch et al.

[45] Date of Patent: **** Dec. 29, 1992**

[54] SPEAKER HOUSING

D. 319,693 9/1991 Lee D23/335

[75] Inventors: **Richard H. Gosch**, Westchester;
Leonid Soren, Lincolnwood, both of Ill.

OTHER PUBLICATIONS

Radio Shack 1988 Catalog p. 49, One -Watt Speaker-amp bottom center.

[73] Assignee: **Motorola, Inc.**, Schaumburg, Ill.

Video Review Oct. 1987, p. 84 Bose Video Room Mates, top left.

[**] Term: **14 Years**

Design-468 Dec. 1987, p. 22 Amadeo Speaker, bottom.

[21] Appl. No.: **560,967**

Primary Examiner—Bernard Ansher

Assistant Examiner—Sandra Morris

Attorney, Agent, or Firm—Jon P. Christensen

[22] Filed: **Jul. 30, 1990**

[52] U.S. Cl. **D14/210**

[58] Field of Search D14/204, 207, 208, 210-216;
181/144, 145, 148, 150, 153, 157, 198-199;
D23/332, 333, 335

[57] CLAIM

The ornamental design for a speaker housing, as shown and described.

[56] References Cited

DESCRIPTION

U.S. PATENT DOCUMENTS

D. 247,237	2/1978	Croup	D14/211
D. 256,914	9/1980	Rams	D14/211
D. 310,871	9/1990	Liu	D23/335
D. 317,007	5/1991	Shintani	D14/214
D. 317,450	6/1991	Crawford et al.	D14/210
D. 318,054	7/1991	Kikutani	D14/214
D. 319,445	8/1991	Yamakawa	D14/210

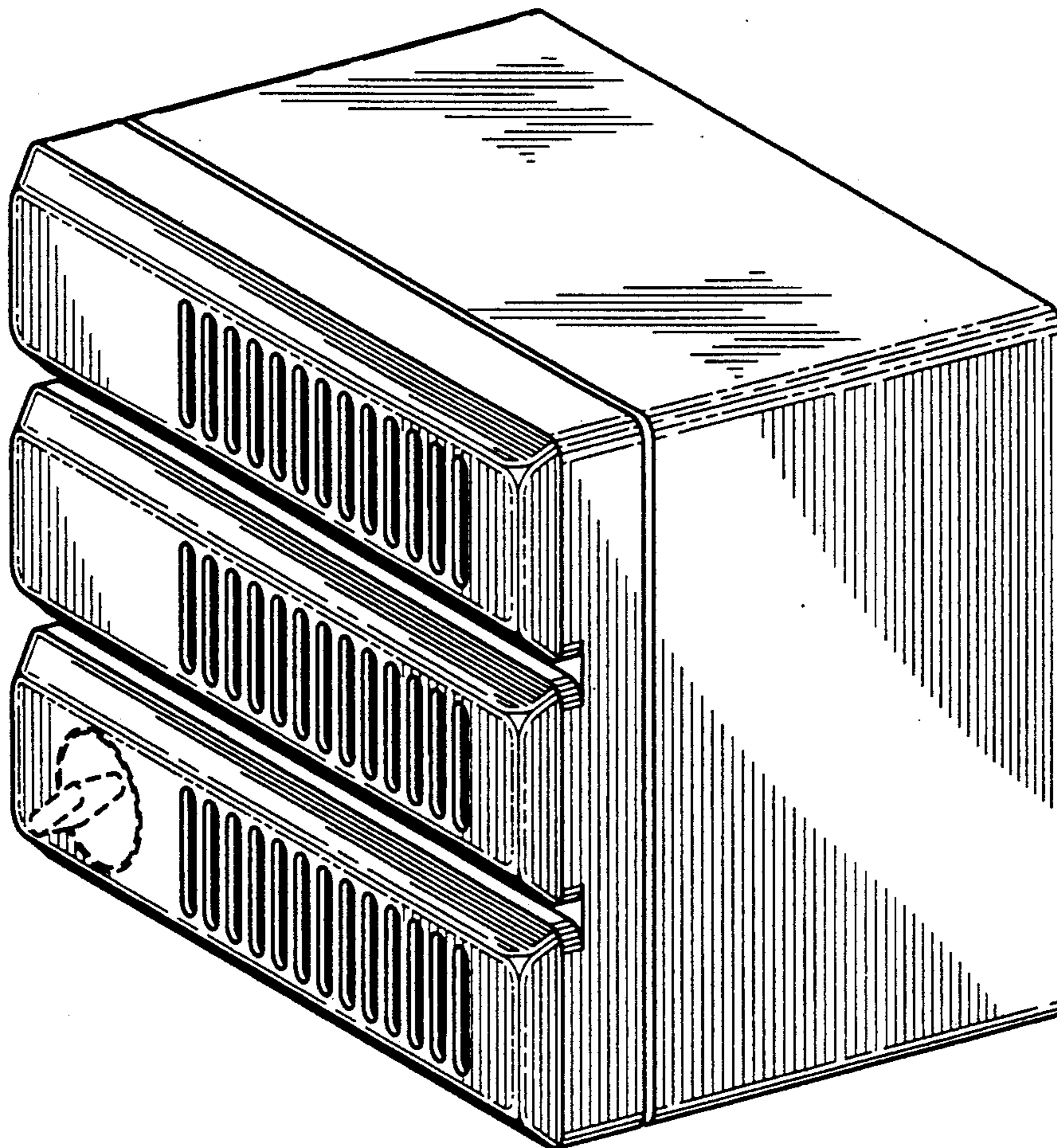
FIG. 1 is a top, front, right side perspective view of a speaker housing, showing our new design;

FIG. 2 is a left side elevational view thereof;

FIG. 3 is a bottom plan view thereof; and,

FIG. 4 is a rear elevational view thereof.

The broken line showing of the controls is for illustrative purposes only and forms no part of the claimed design.



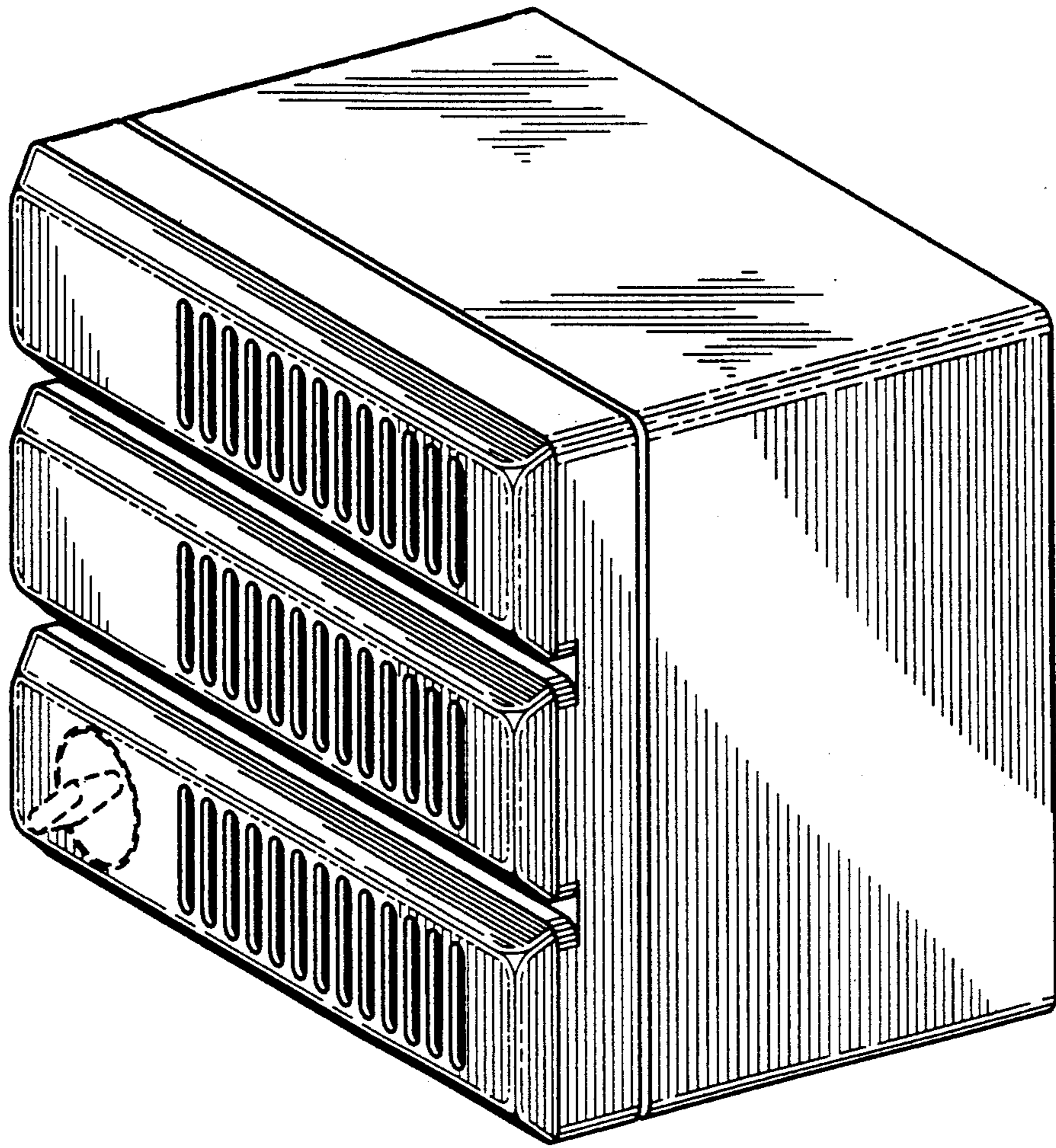


FIG. 1

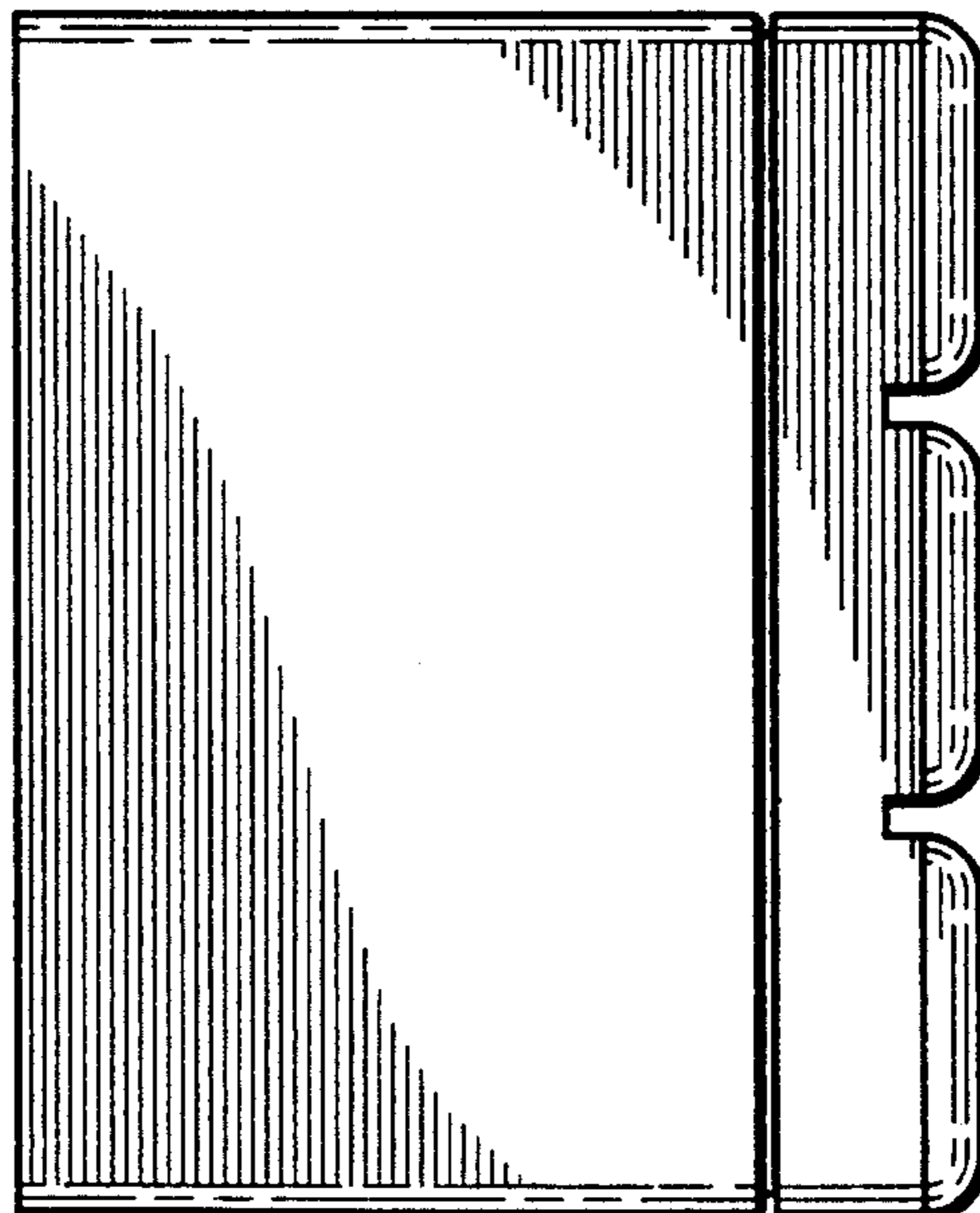


FIG. 2

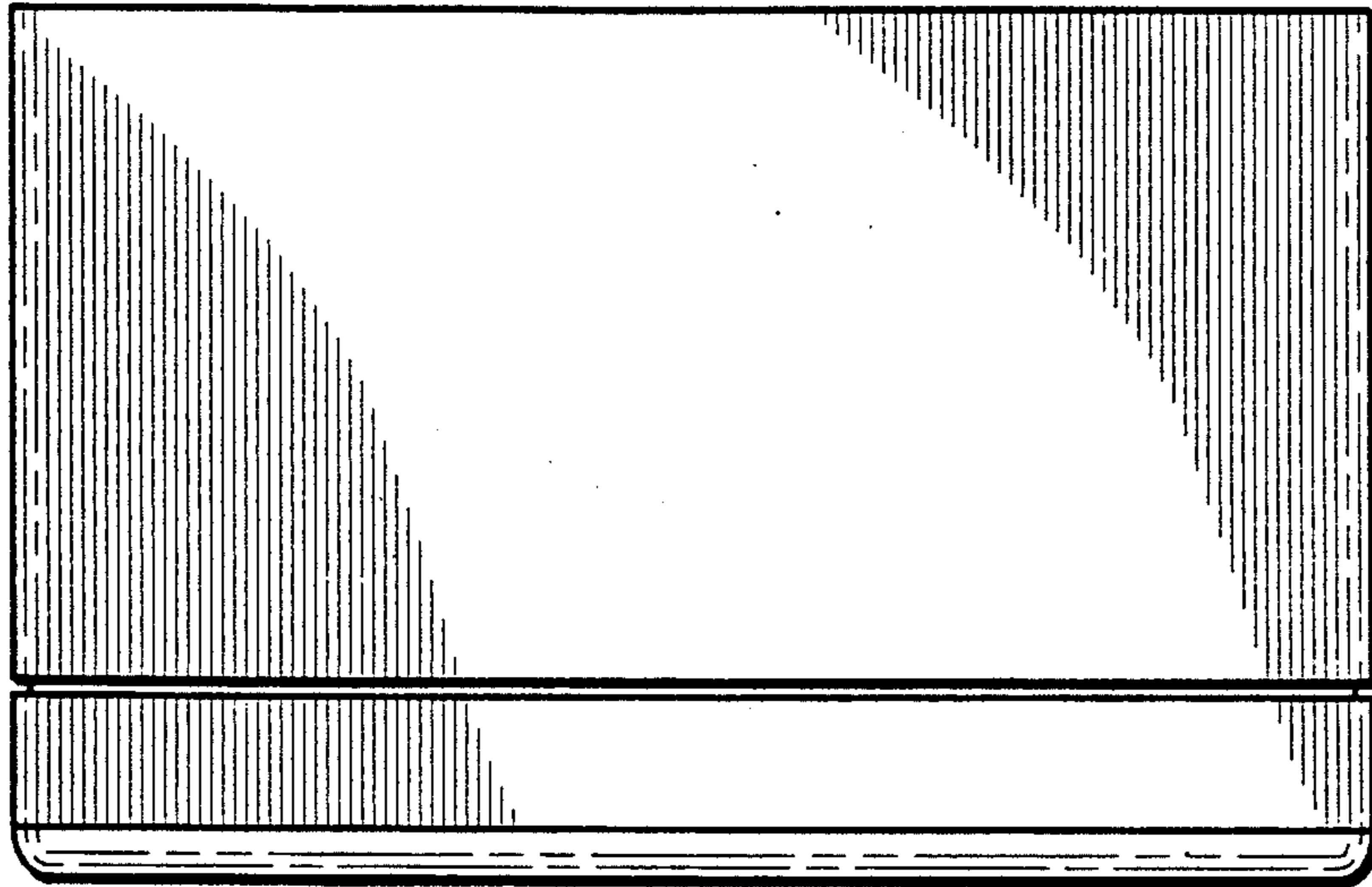


FIG. 3

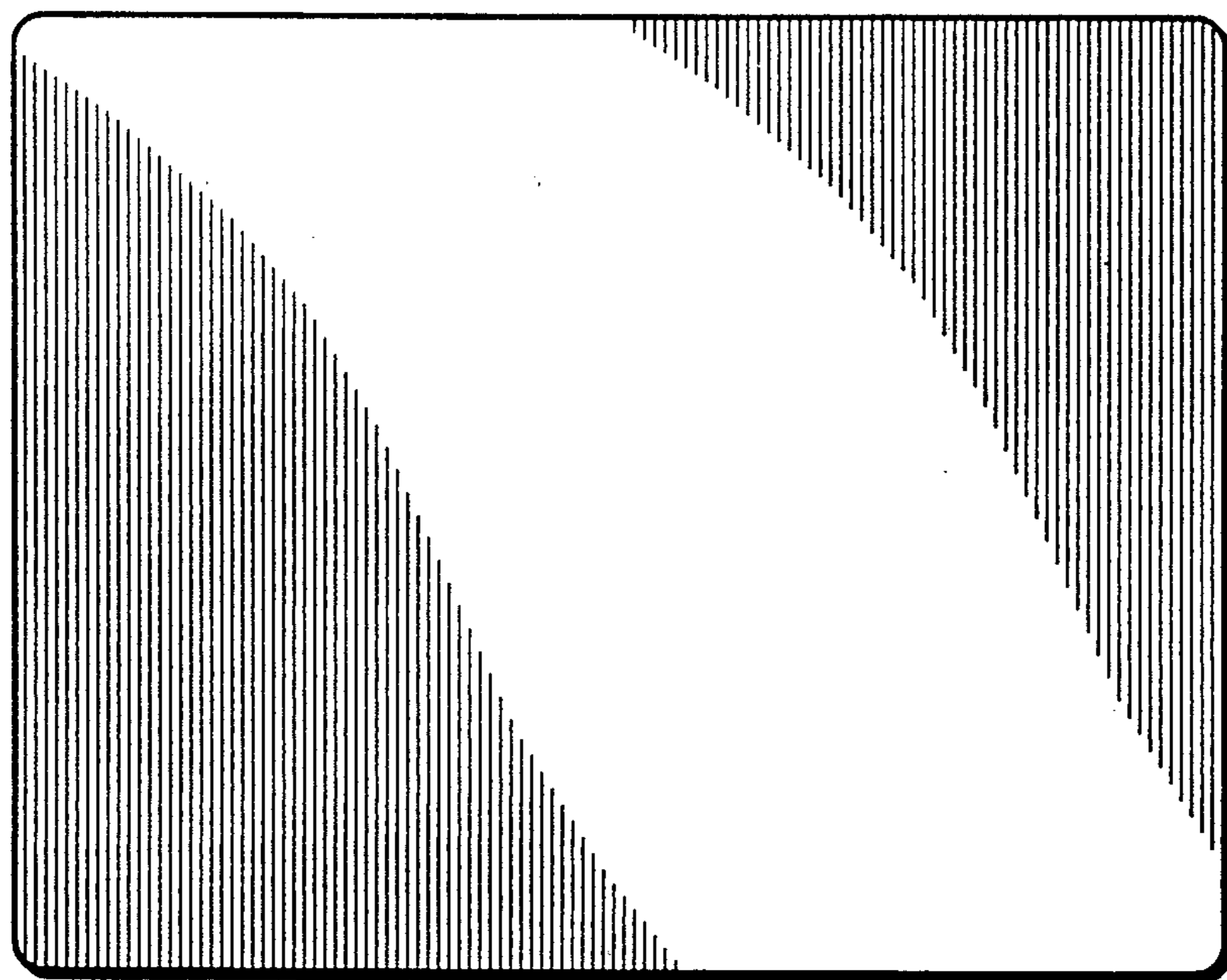


FIG. 4