



US00D332095S

# United States Patent [19]

[11] Patent Number: **Des. 332,095**

Dennis et al.

[45] Date of Patent: **\*\* Dec. 29, 1992**

[54] **INTERCOMMUNICATION APPARATUS WITHOUT A HAND SET**

[75] Inventors: **Derek H. Dennis, Helsing, Denmark; Jakob Jensen, Santa Maria, Spain**

[73] Assignee: **Stentofon AS, Trondheim, Norway**

[\*\*] Term: **14 Years**

[21] Appl. No.: **585,356**

[22] Filed: **Sep. 19, 1990**

[30] **Foreign Application Priority Data**

Mar. 19, 1990 [NO] Norway ..... D900223  
Mar. 19, 1990 [NO] Norway ..... D900224

[52] U.S. Cl. .... **D14/142**

[58] Field of Search ..... D14/138, 142, 200, 241, D14/101, 130, 240, 141; 379/440, 436, 420

[56] **References Cited**

**U.S. PATENT DOCUMENTS**

D. 304,338 10/1989 Serman ..... D14/240  
D. 305,423 1/1990 Gilmore et al. .... D14/101  
D. 305,537 1/1990 Gilmore ..... D14/101  
D. 305,538 1/1990 Gilmore et al. .... D14/101

D. 315,557 3/1991 Grewe et al. .... D14/130  
D. 317,762 6/1991 Watanabe ..... D14/138 X  
D. 321,348 11/1991 Harden et al. .... D4/141  
D. 321,870 11/1991 Beecher et al. .... D14/142 X  
D. 325,381 4/1992 Dennis et al. .... D14/151  
D. 326,450 5/1992 Watanabe ..... D14/142 X

*Primary Examiner*—Horace B. Fay, Jr.  
*Attorney, Agent, or Firm*—Ladas & Parry

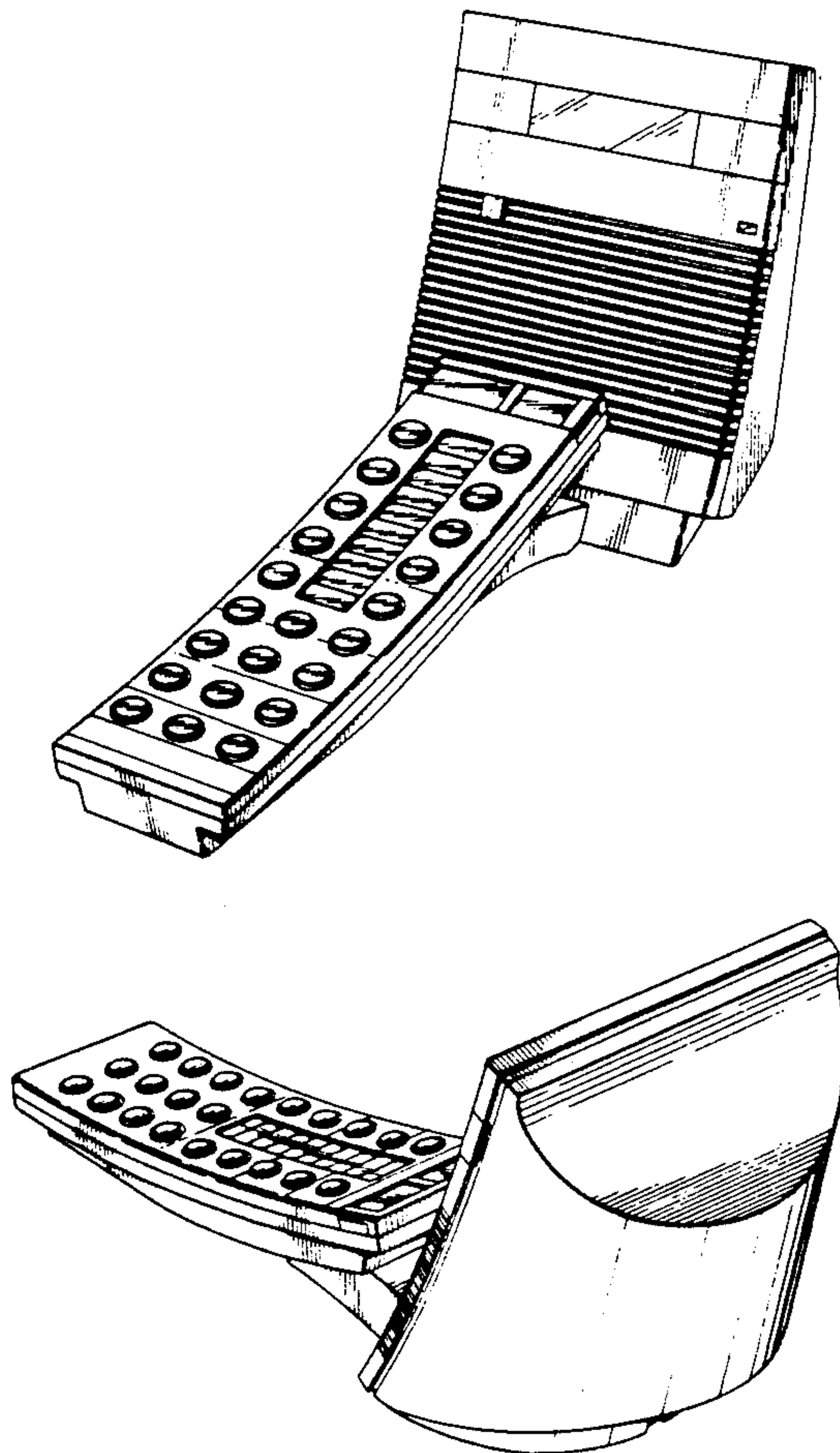
[57] **CLAIM**

The ornamental design for intercommunication apparatus without a handset, as shown.

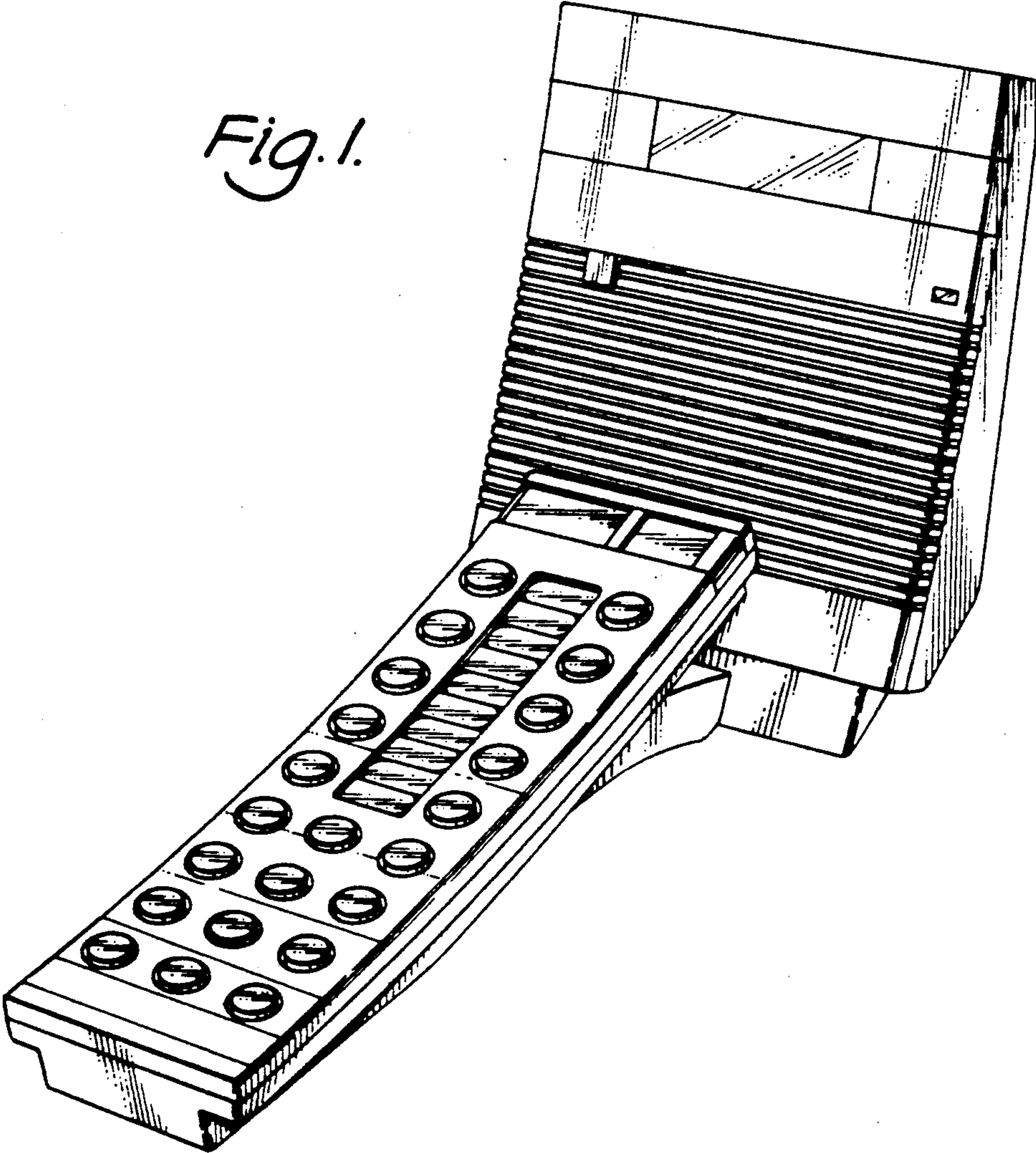
**DESCRIPTION**

FIG. 1 is a top, front and right side perspective view of a intercommunication apparatus without a handset; FIG. 2 is a top, rear and right side perspective view thereof with a keyboard element thereof shifted to the right; and, FIG. 3 is a bottom, left side and rear perspective view of a the intercommunication apparatus thereof with the keyboard positioned as shown in FIG. 2.

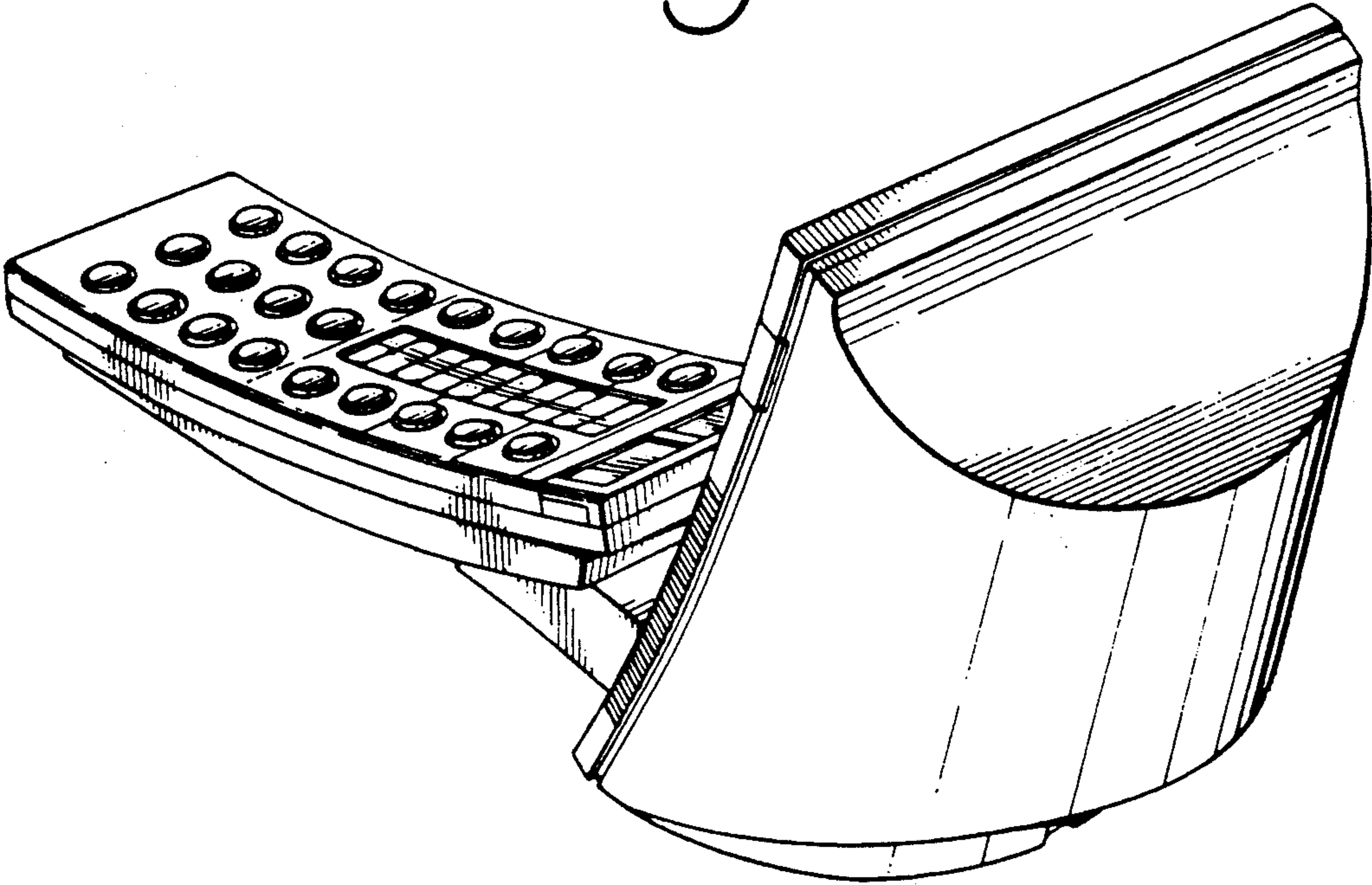
The intercommunication apparatus includes a keyboard, a two-way microphone/loudspeaker, and a display on the microphone/loudspeaker. The keyboard is movable laterally of the two-way microphone/loudspeaker.



*Fig. 1.*



*Fig. 2.*





*Fig. 3.*

