



US00D332092S

United States Patent [19]

[11] Patent Number: **Des. 332,092**

Lo

[45] Date of Patent: **** Dec. 29, 1992**

[54] **MONITOR**

D. 318,048 7/1991 Kim D14/113
D. 321,344 11/1991 Steinbugler et al. D14/113

[76] Inventor: **Kun-Nan Lo**, No. 33, Hsiang-Ho Rd.,
Li-Lin Tsun, Tan-Tzu Hsiang,
Taichung Hsien, Taiwan

Primary Examiner—Wallace R. Burke
Assistant Examiner—Freda S. Nunn
Attorney, Agent, or Firm—Jacobson, Price, Holman &
Stern

[**] Term: **14 Years**

[21] Appl. No.: **668,425**

[57] **CLAIM**

[22] Filed: **Mar. 11, 1991**

The ornamental design for a monitor, as shown and described.

[52] U.S. Cl. **D14/113**

[58] Field of Search D14/100, 115, 106, 126,
D14/113; 340/700, 706; 358/249, 254;
364/706-710

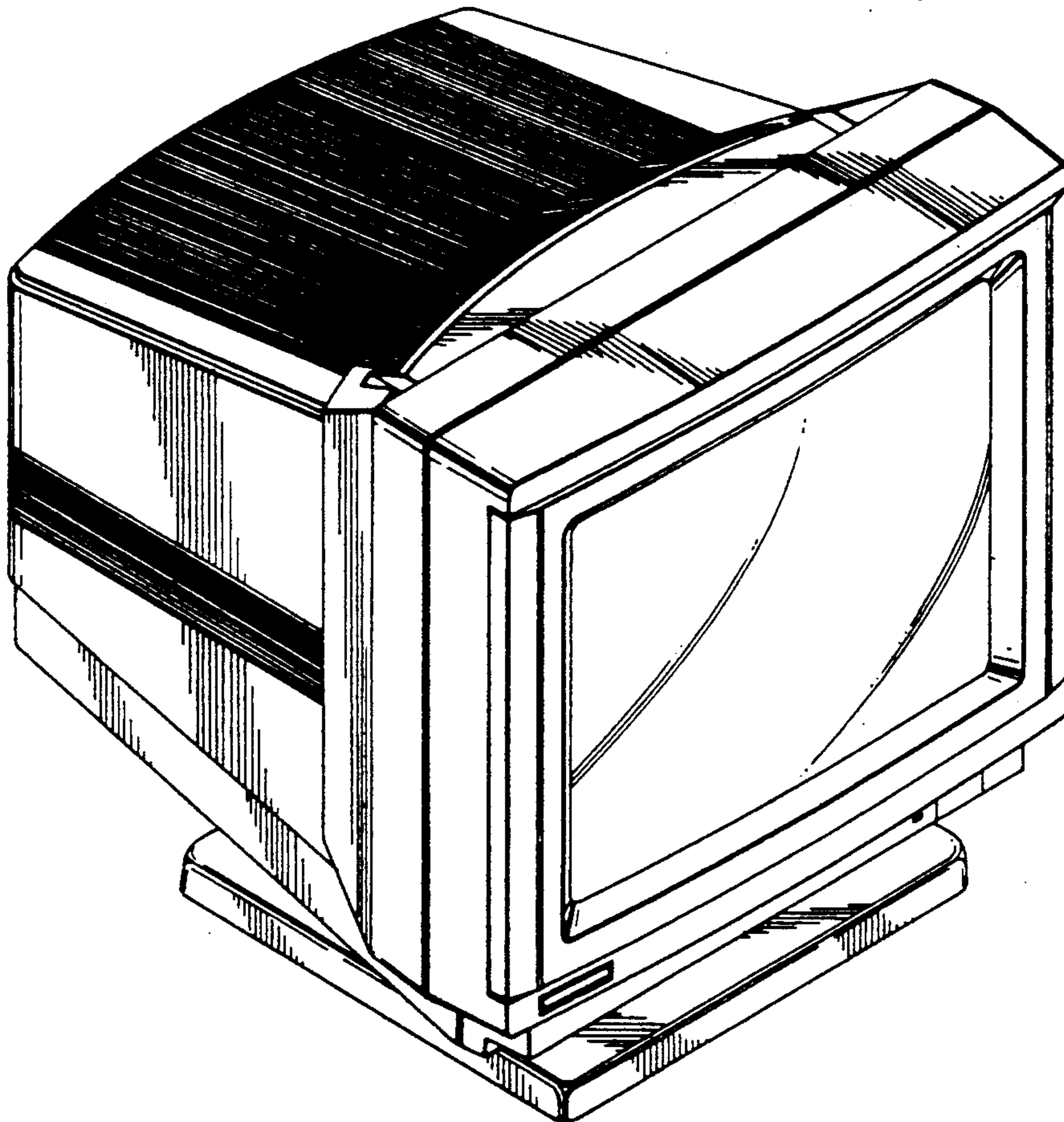
DESCRIPTION

[56] **References Cited**

U.S. PATENT DOCUMENTS

D. 304,719 11/1989 Leung D14/113
D. 305,755 1/1990 Suyama et al. D14/113
D. 313,228 12/1990 Suyama et al. D14/113

FIG. 1 is a perspective view of a monitor showing my new design;
FIG. 2 is a front elevational view thereof;
FIG. 3 is a rear elevational view thereof;
FIG. 4 is a left side elevational view thereof;
FIG. 5 is a right side elevational view thereof;
FIG. 6 is a top plan view thereof; and,
FIG. 7 is a bottom plan view thereof.



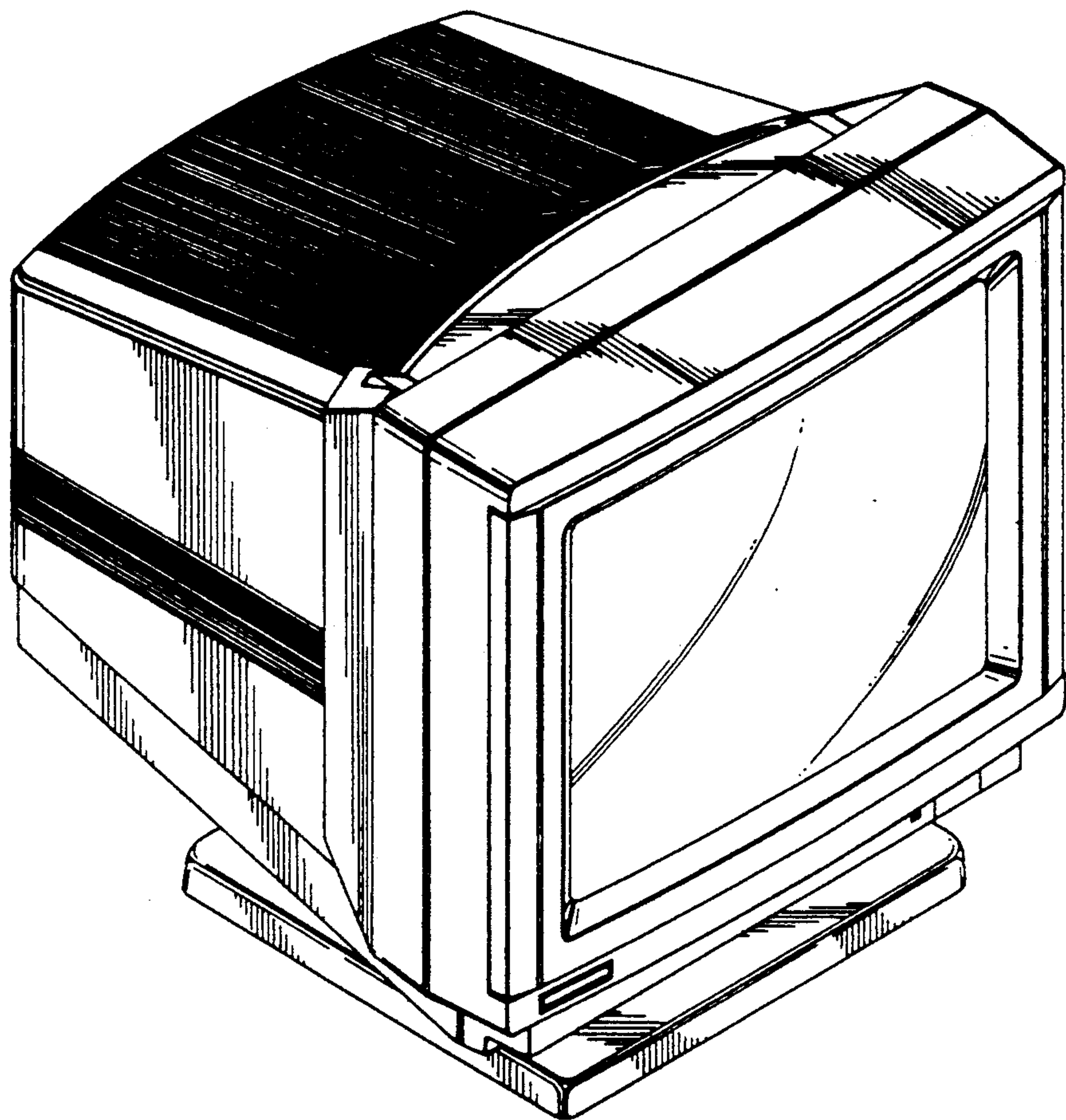


FIG. 1

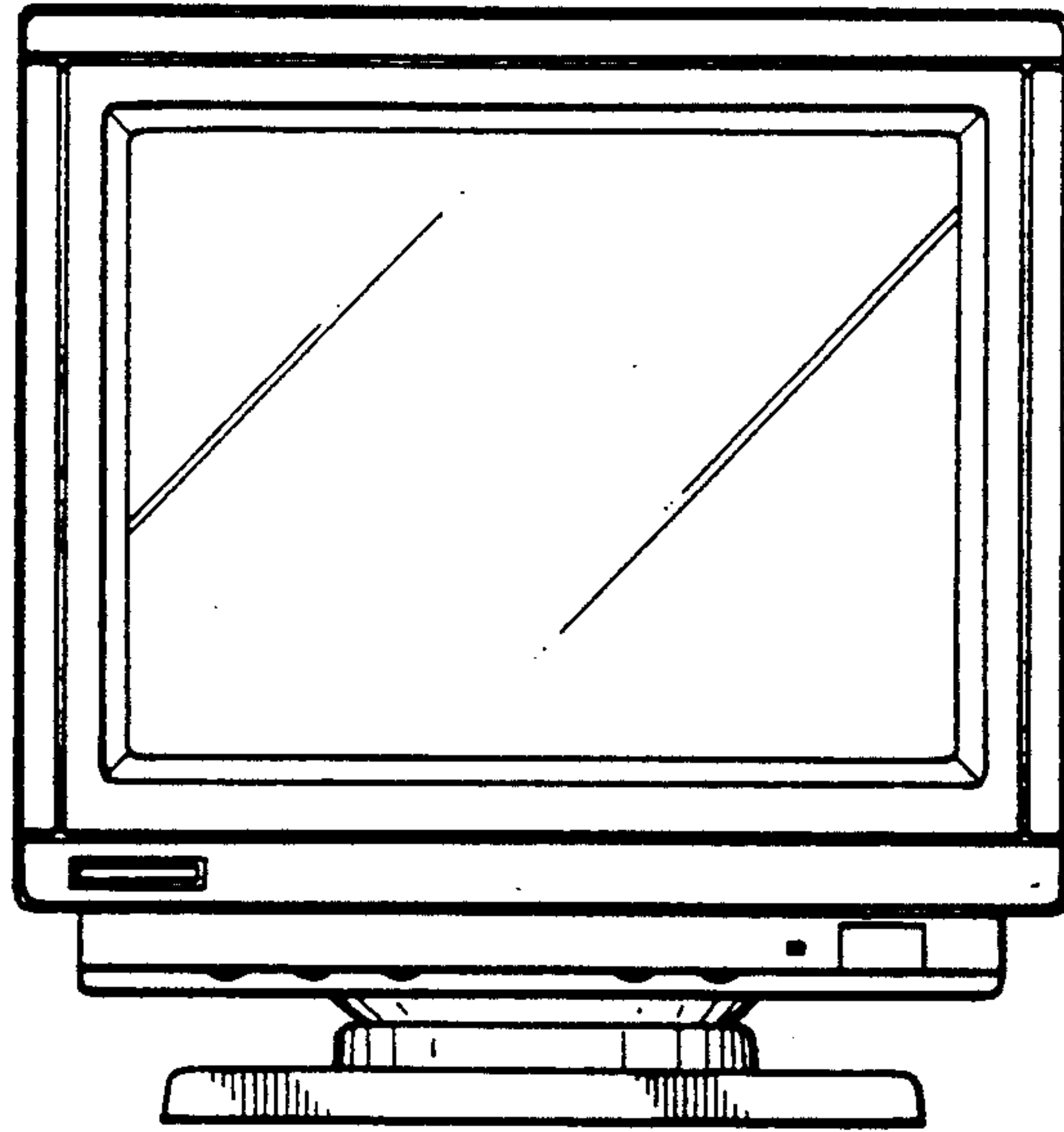


FIG. 2

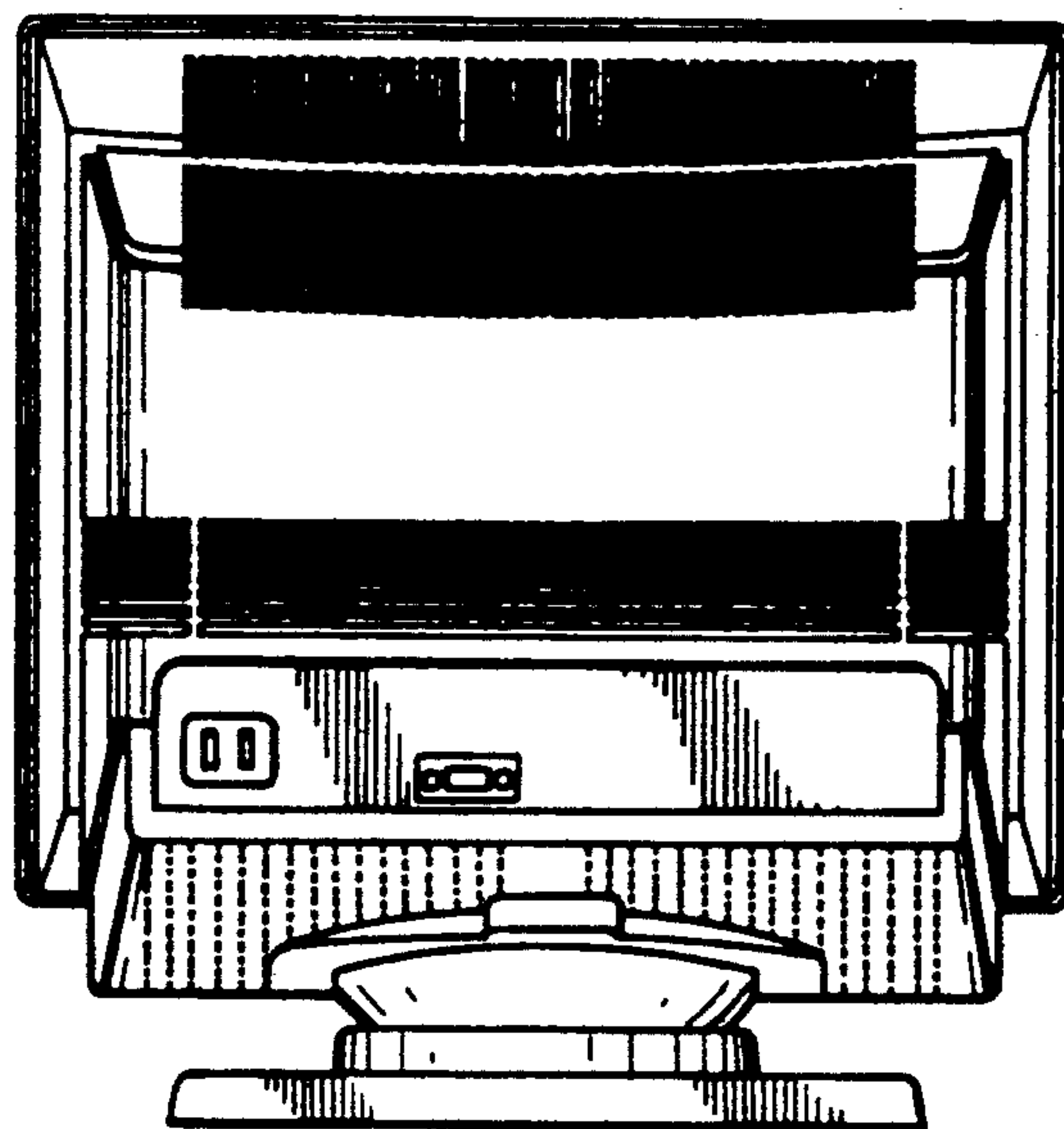


FIG. 3

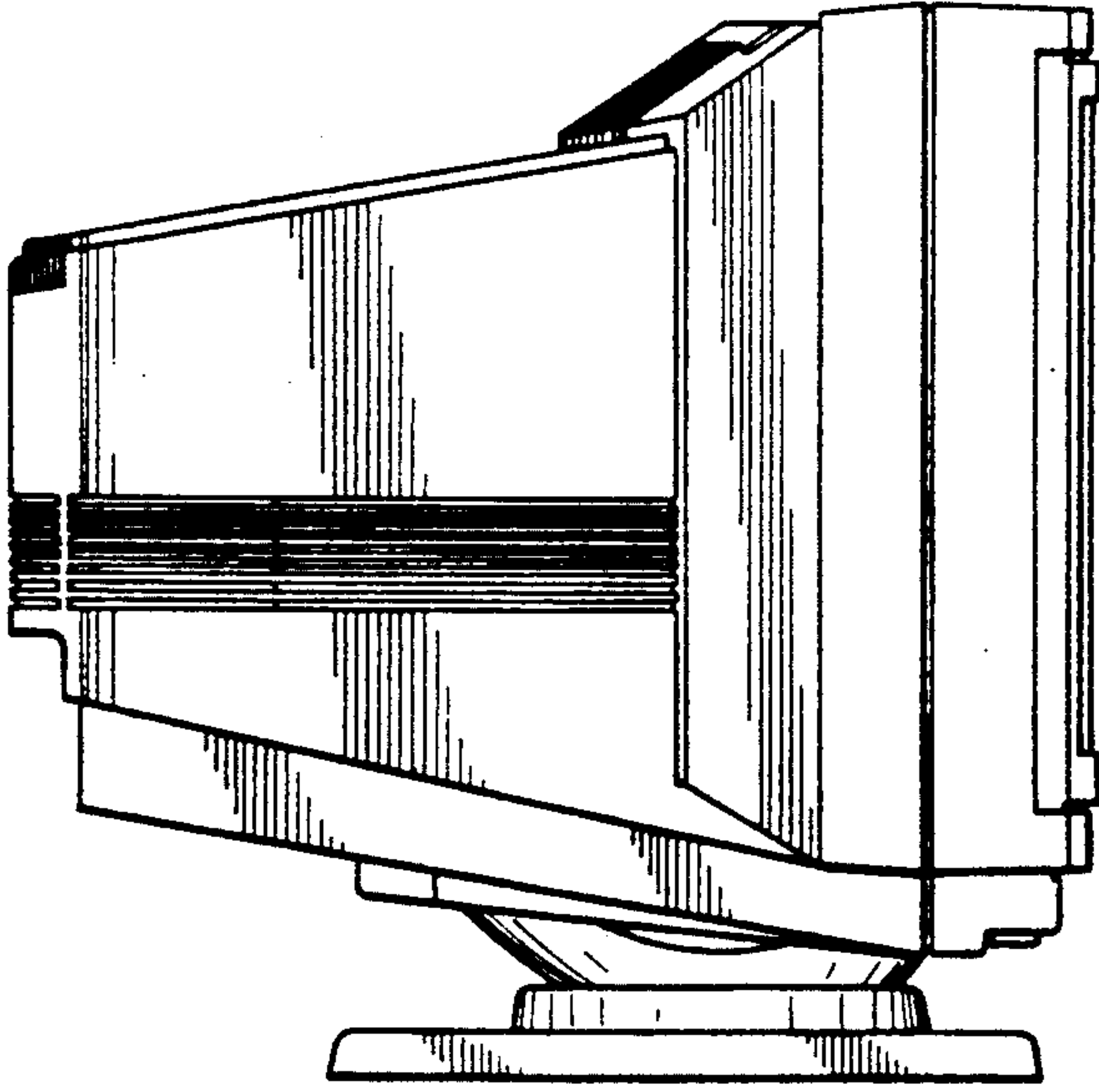


FIG. 4

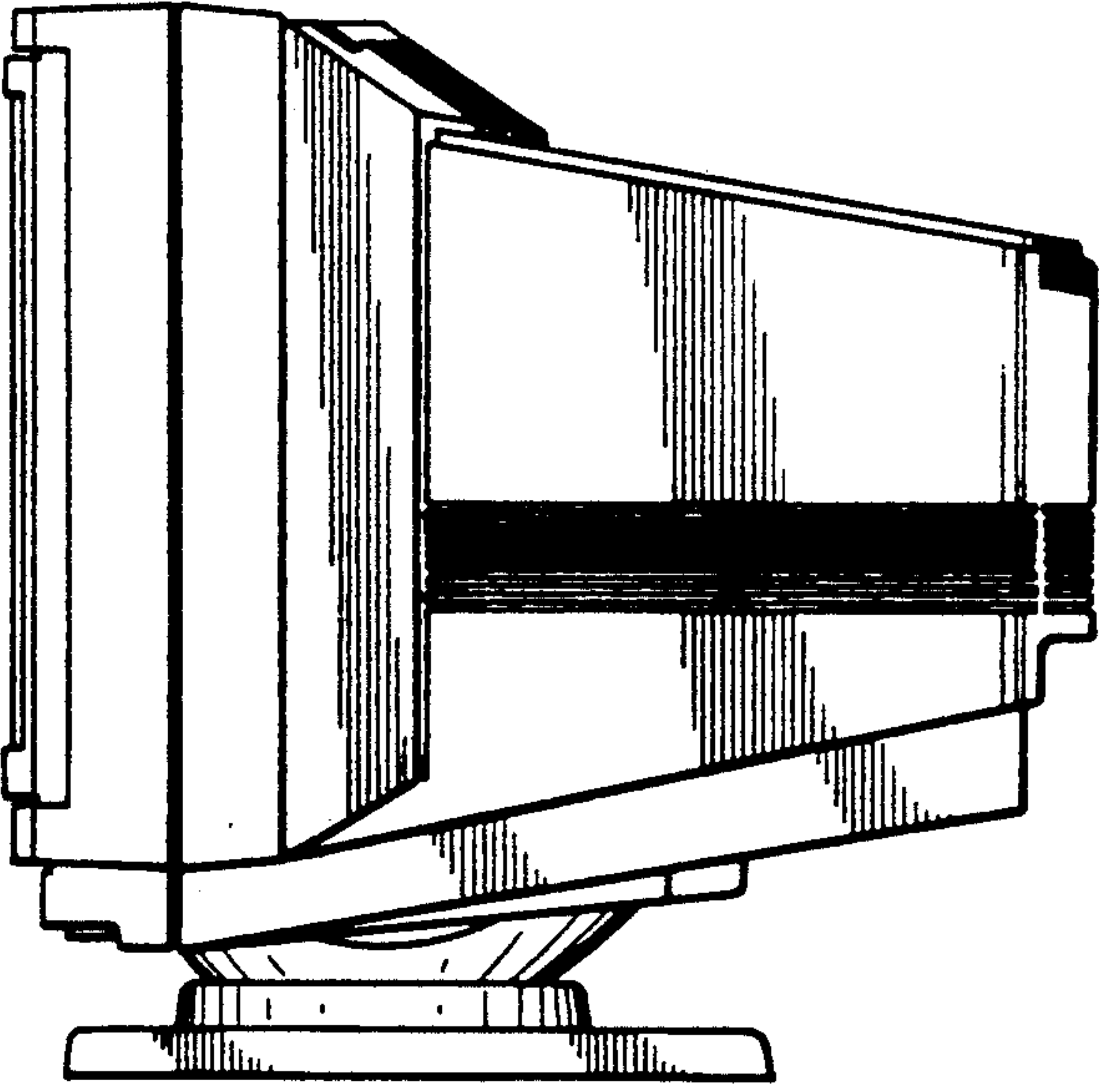


FIG. 5

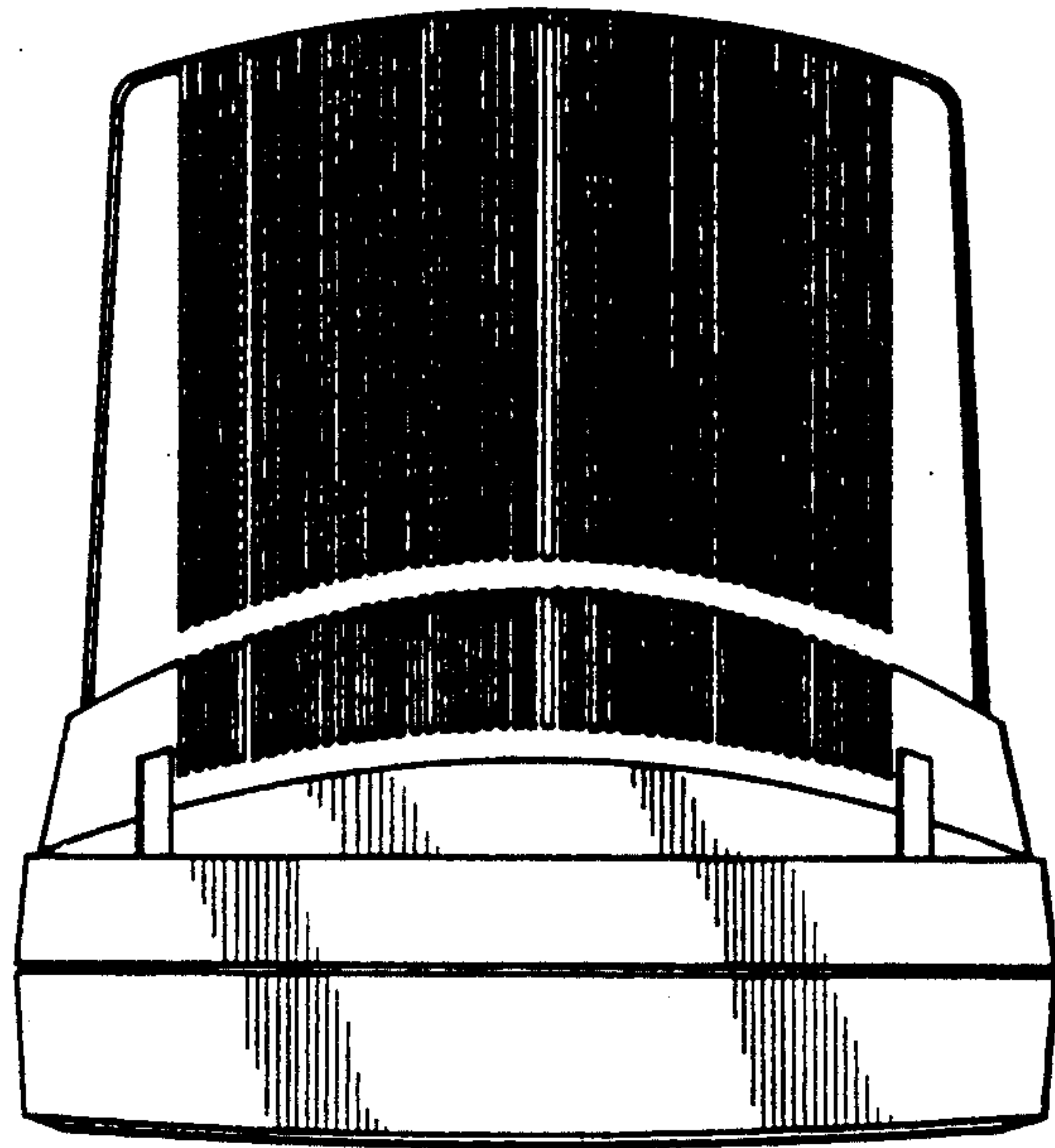


FIG. 6

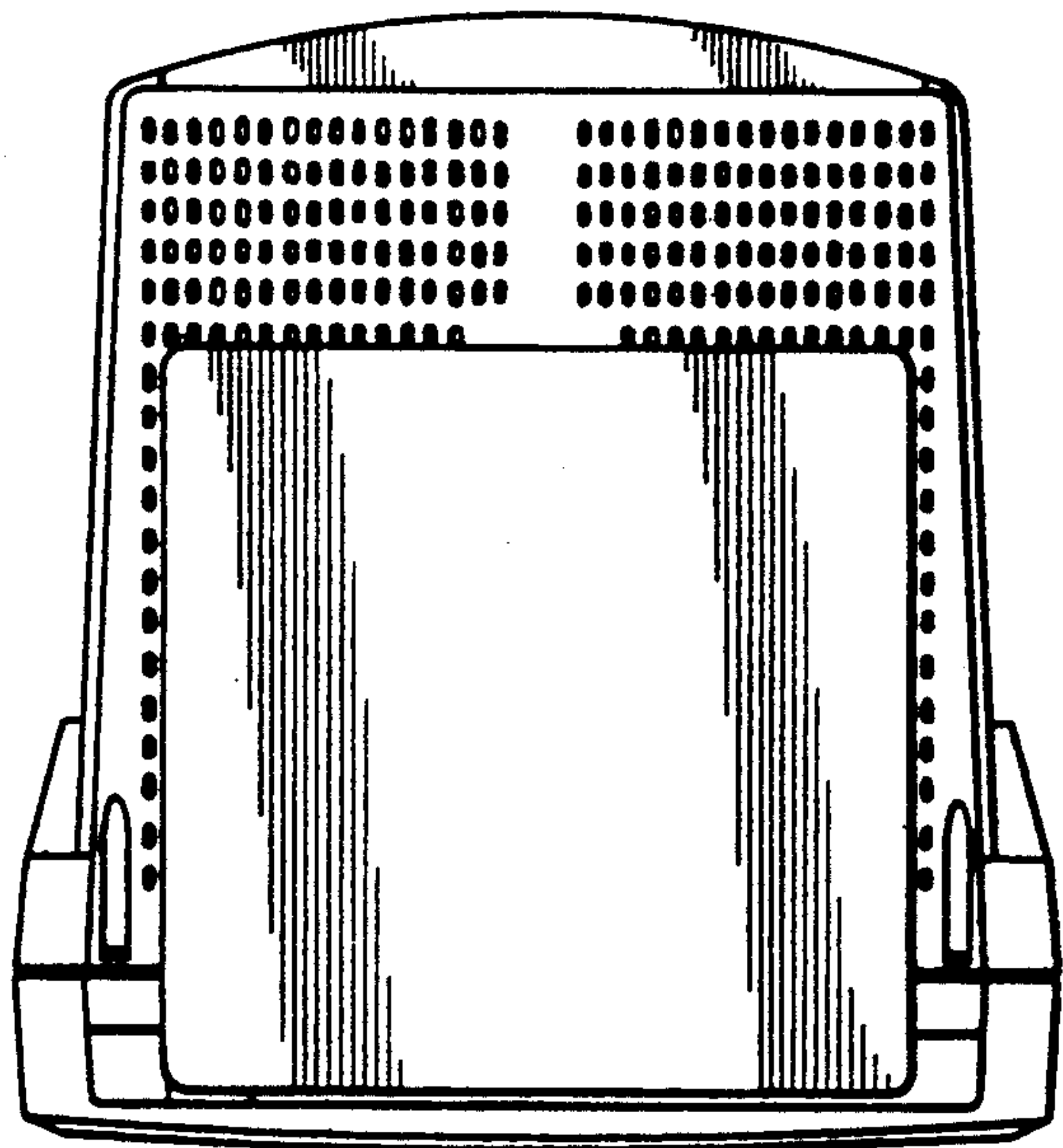


FIG. 7