



US00D332091S

United States Patent [19] Iino

[11] Patent Number: **Des. 332,091**
[45] Date of Patent: **** Dec. 29, 1992**

[54] **ELECTRONIC COMPUTER EXPANSION UNIT**

[75] Inventor: **Masaaki Iino, Yokohama, Japan**

[73] Assignee: **Kabushiki Kaisha Toshiba, Kanagawa, Japan**

[**] Term: **14 Years**

[21] Appl. No.: **559,571**

[22] Filed: **Jul. 27, 1990**

[30] **Foreign Application Priority Data**

Feb. 9, 1990 [JP] Japan 2-3655
Mar. 23, 1990 [JP] Japan 2-9612

[52] U.S. Cl. **D14/107**

[58] Field of Search D14/100, 107, 114;
D13/184, 199, 123, 124, 133, 141, 110, 147;
361/380-385, 390-395; 364/708; 439/95, 284,
357, 372

[56] **References Cited**

U.S. PATENT DOCUMENTS

D. 288,447 2/1987 Otsuka D14/107
D. 292,405 10/1987 Kitani et al. D14/107 X
D. 302,812 8/1989 Hiroki D14/107
D. 310,998 10/1990 Lee et al. D14/100
D. 311,387 10/1990 Breneman et al. D14/100
D. 313,404 1/1991 Myers D14/107

FOREIGN PATENT DOCUMENTS

643544 1/1985 Japan .
721852 12/1987 Japan .

Primary Examiner—Wallace R. Burke
Assistant Examiner—Freda S. Nunn
Attorney, Agent, or Firm—Banner, Birch, McKie & Beckett

[57] **CLAIM**

The ornamental design for an electronic computer expansion unit, as shown and described.

DESCRIPTION

FIG. 1 is a top front and right side perspective view of an electronic computer expansion unit showing my new design;
FIG. 2 is a top plan view thereof;
FIG. 3 is a front elevational view thereof;
FIG. 4 is a right side elevational view thereof;
FIG. 5 is a left side elevational view thereof;
FIG. 6 is a rear elevational view thereof;
FIG. 7 is a bottom plan view thereof;
FIG. 8 is a top, front and right side perspective view of a second embodiment thereof;
FIG. 9 is a top plan view thereof;
FIG. 10 is a front elevational view thereof;
FIG. 11 is a right side elevational view thereof;
FIG. 12 is a left side elevational view thereof;
FIG. 13 is a rear elevational view thereof; and,
FIG. 14 is a bottom plan view thereof.

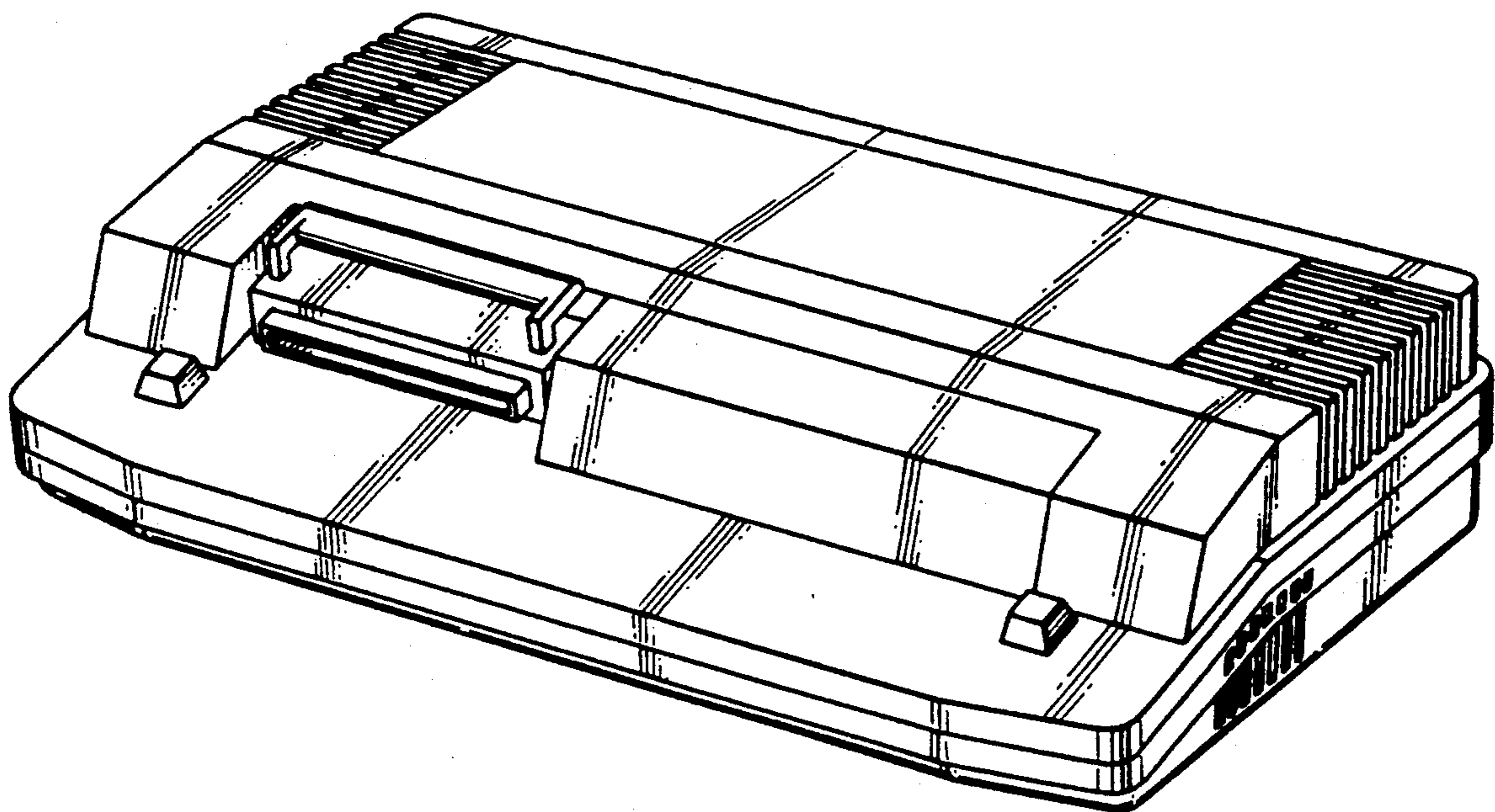


FIG. 1

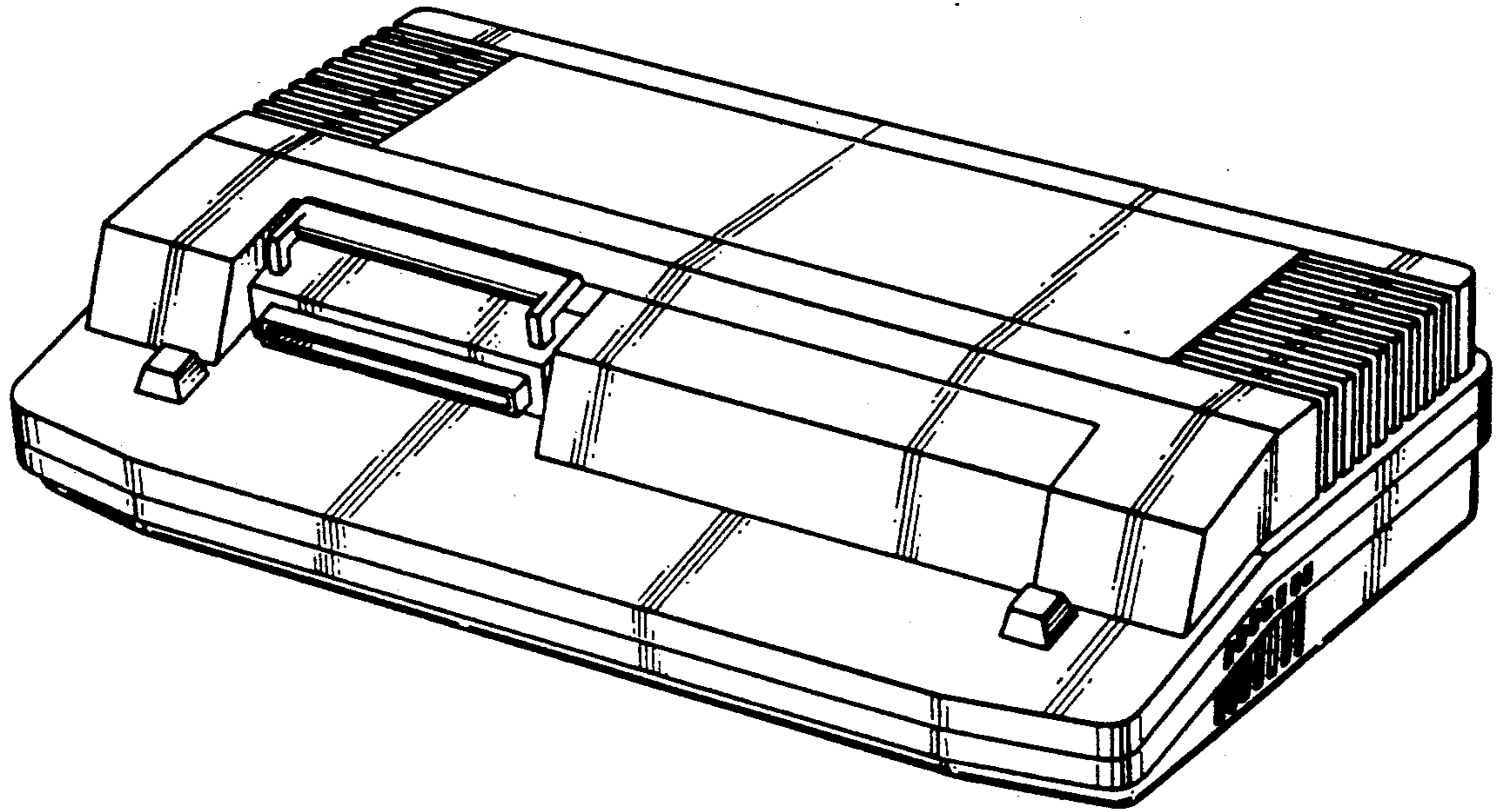


FIG. 2

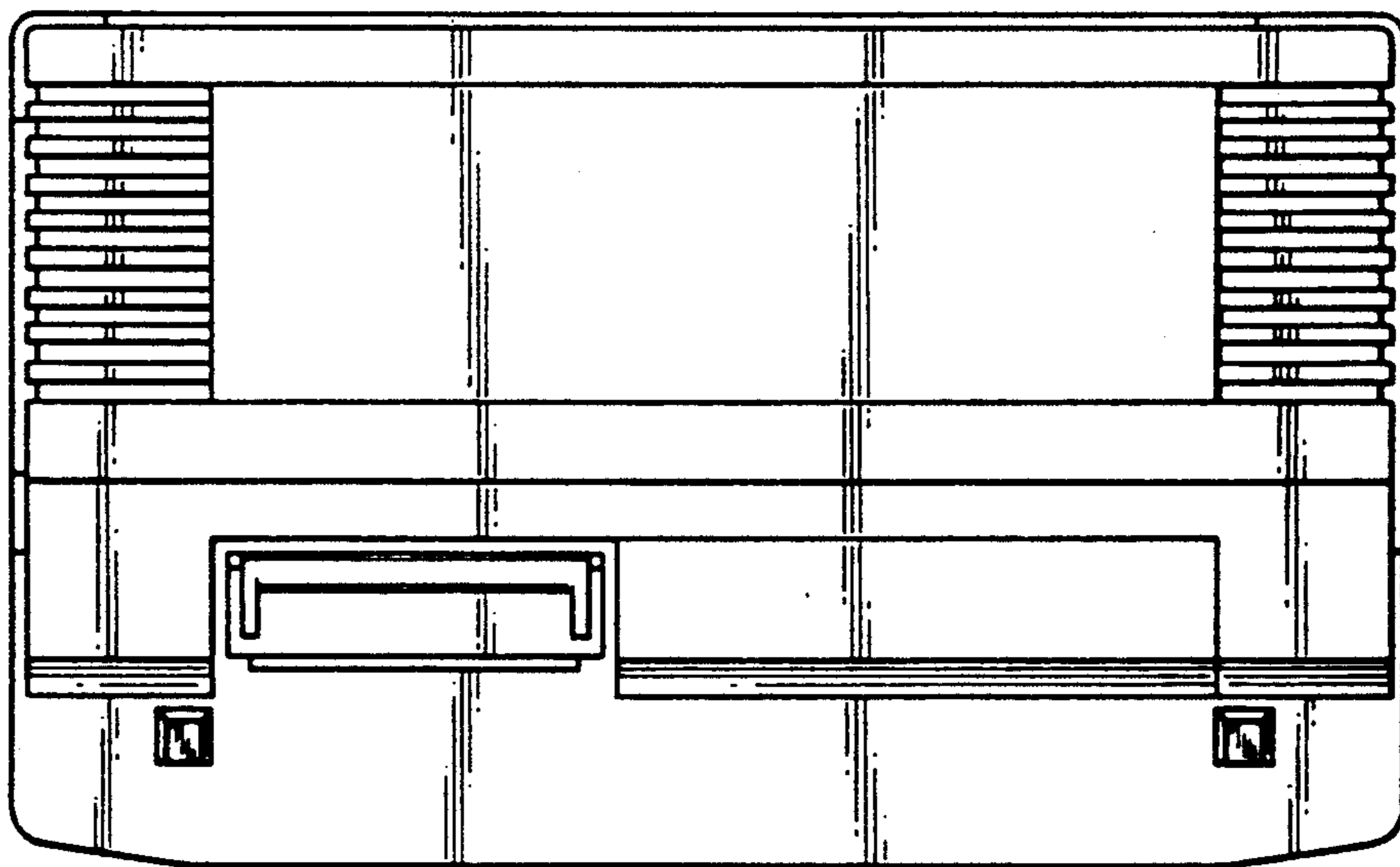


FIG.3

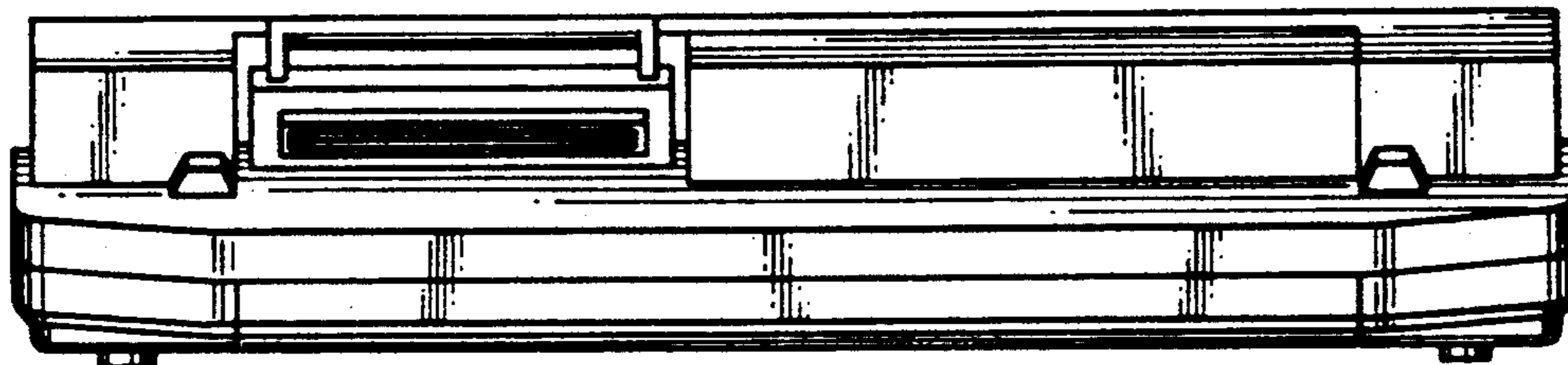


FIG.4

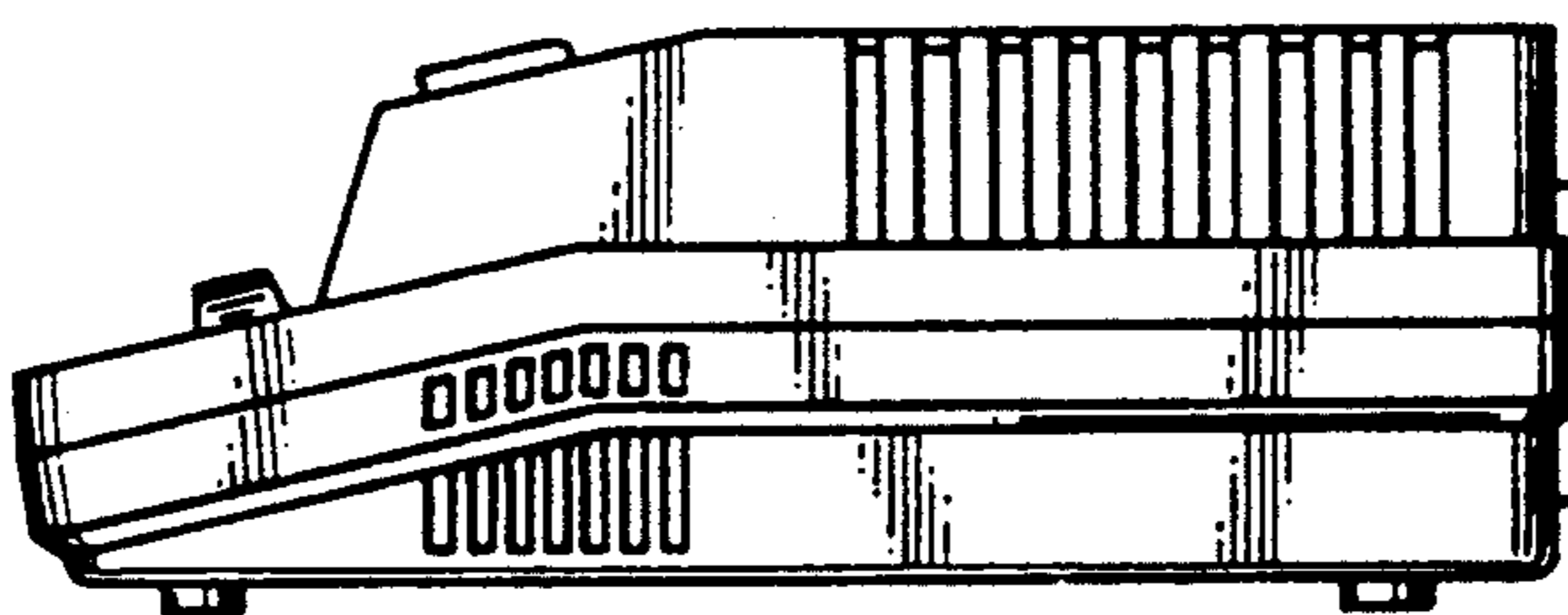


FIG.5

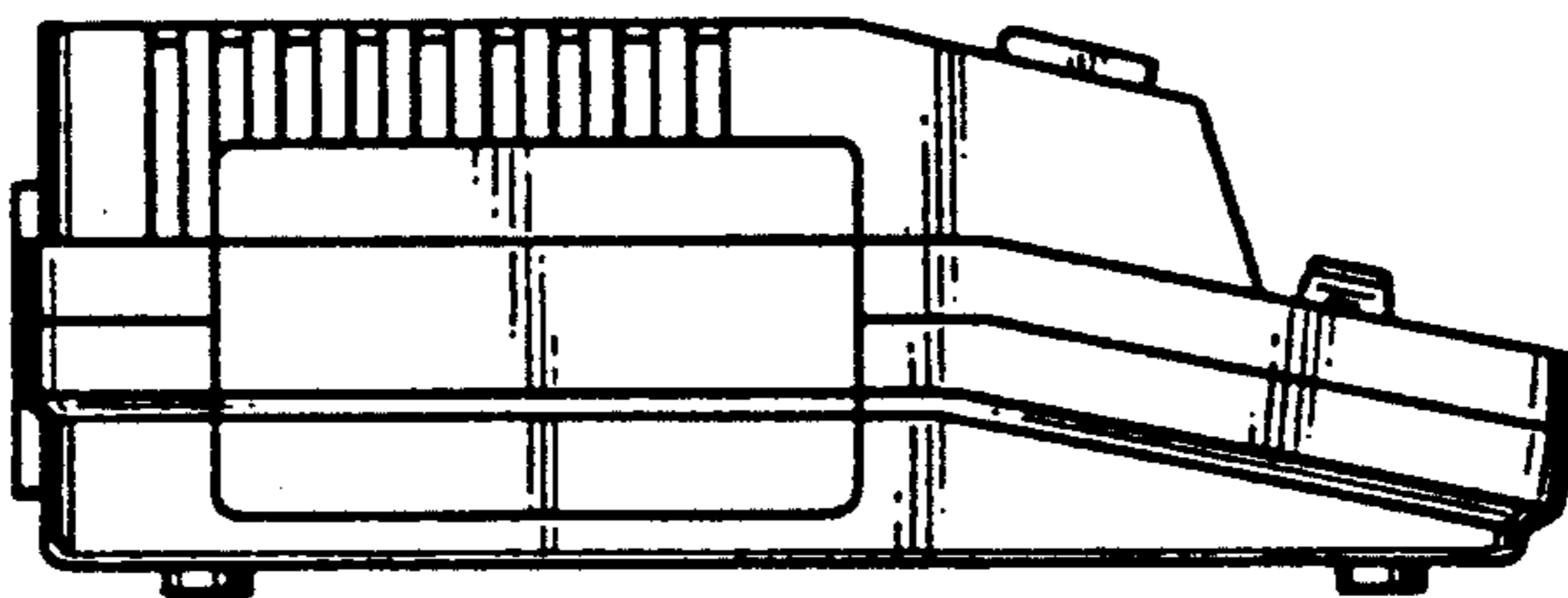


FIG. 6

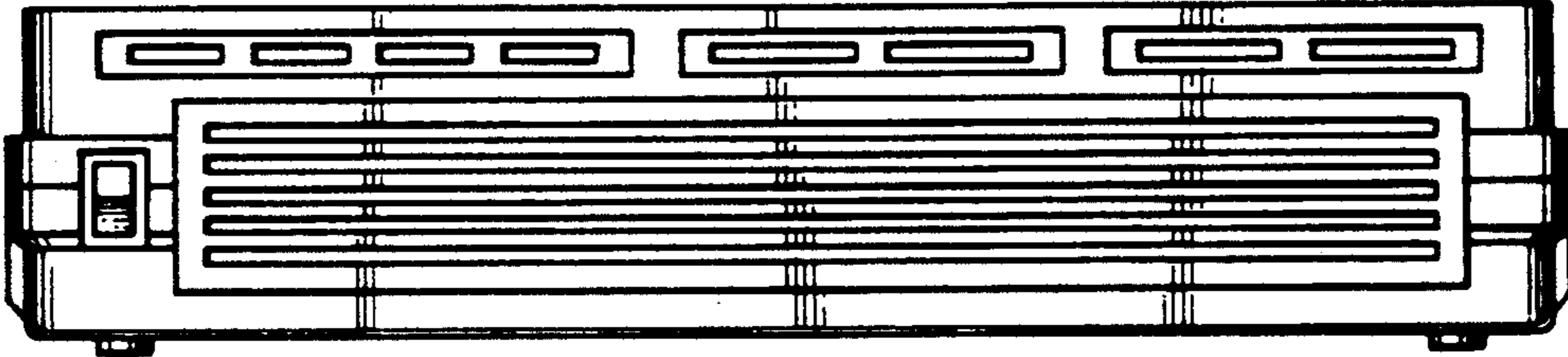


FIG. 7

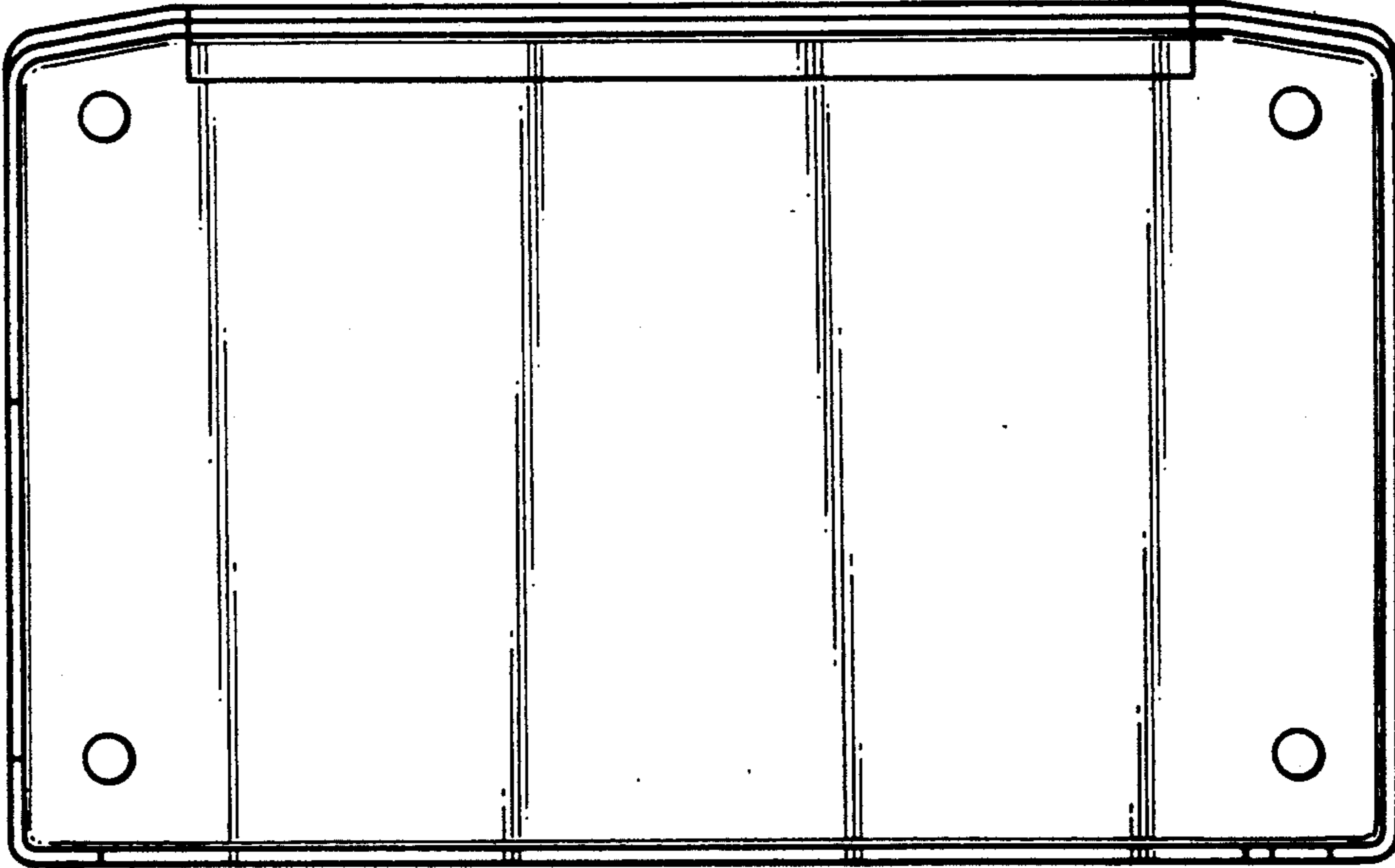


FIG.8

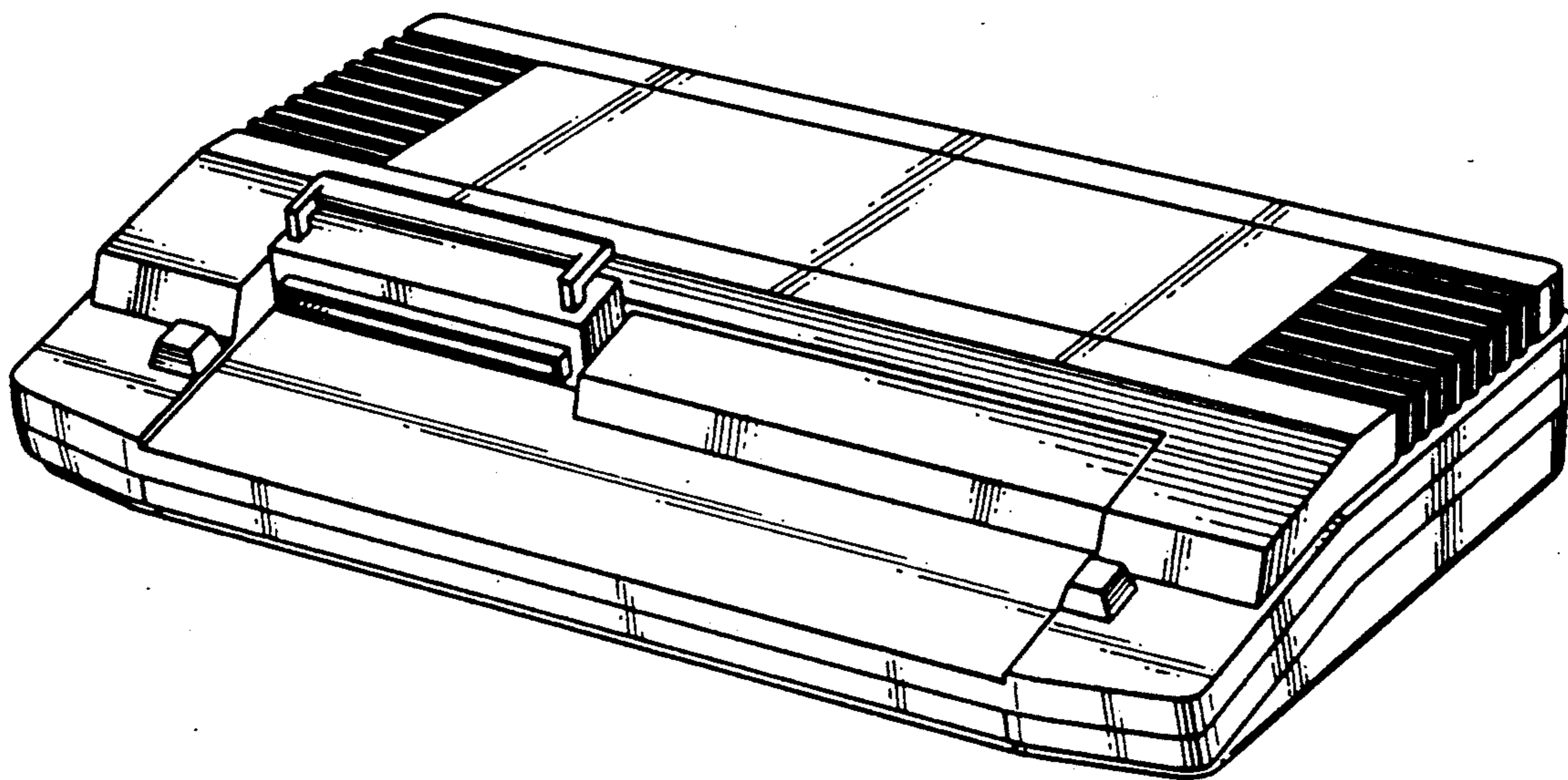


FIG.9

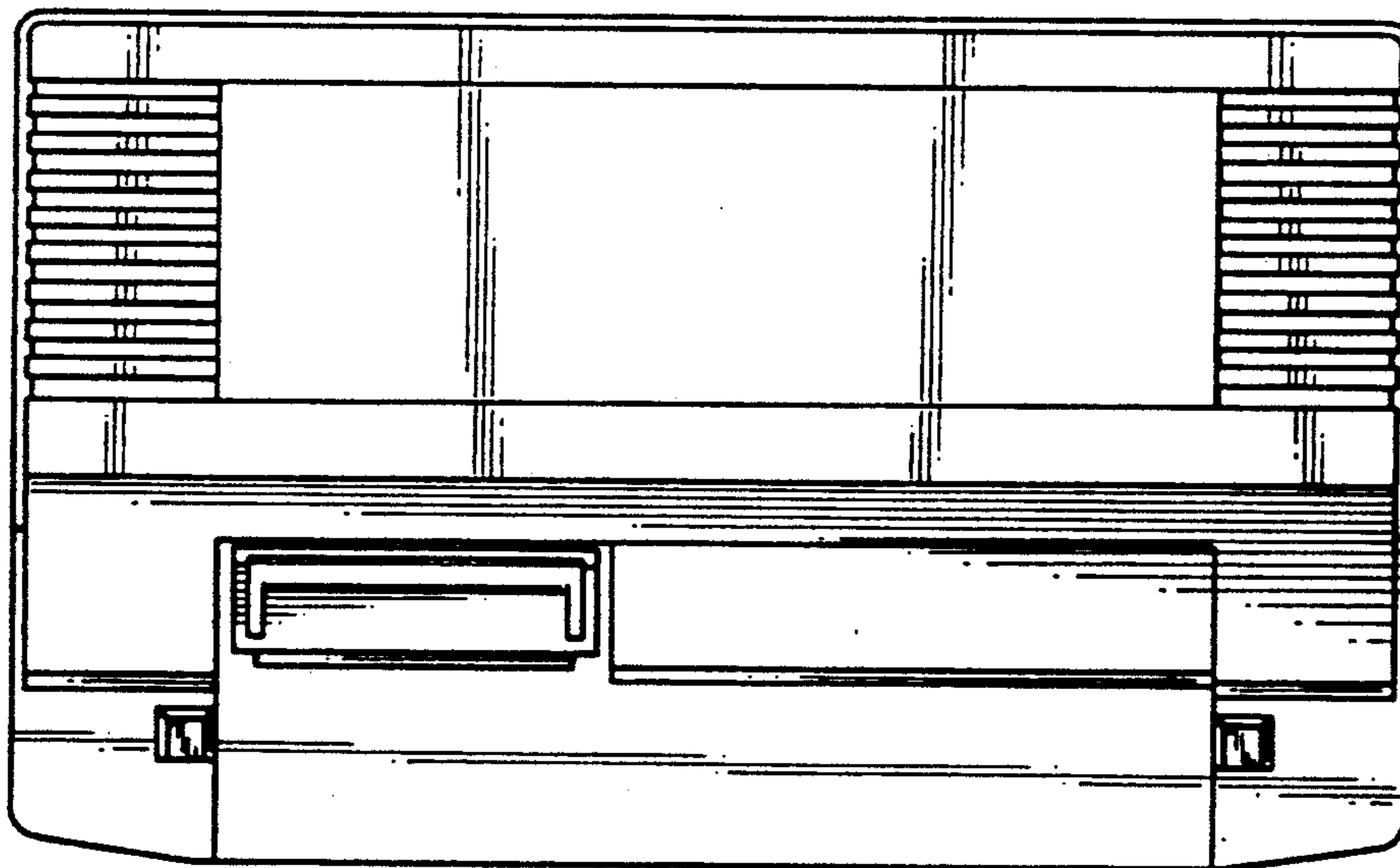


FIG.10

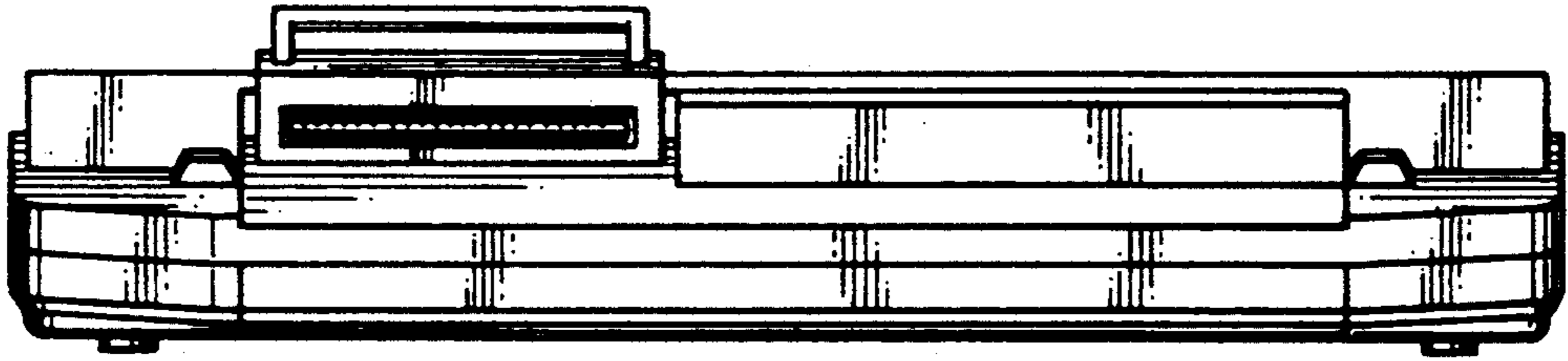


FIG.11

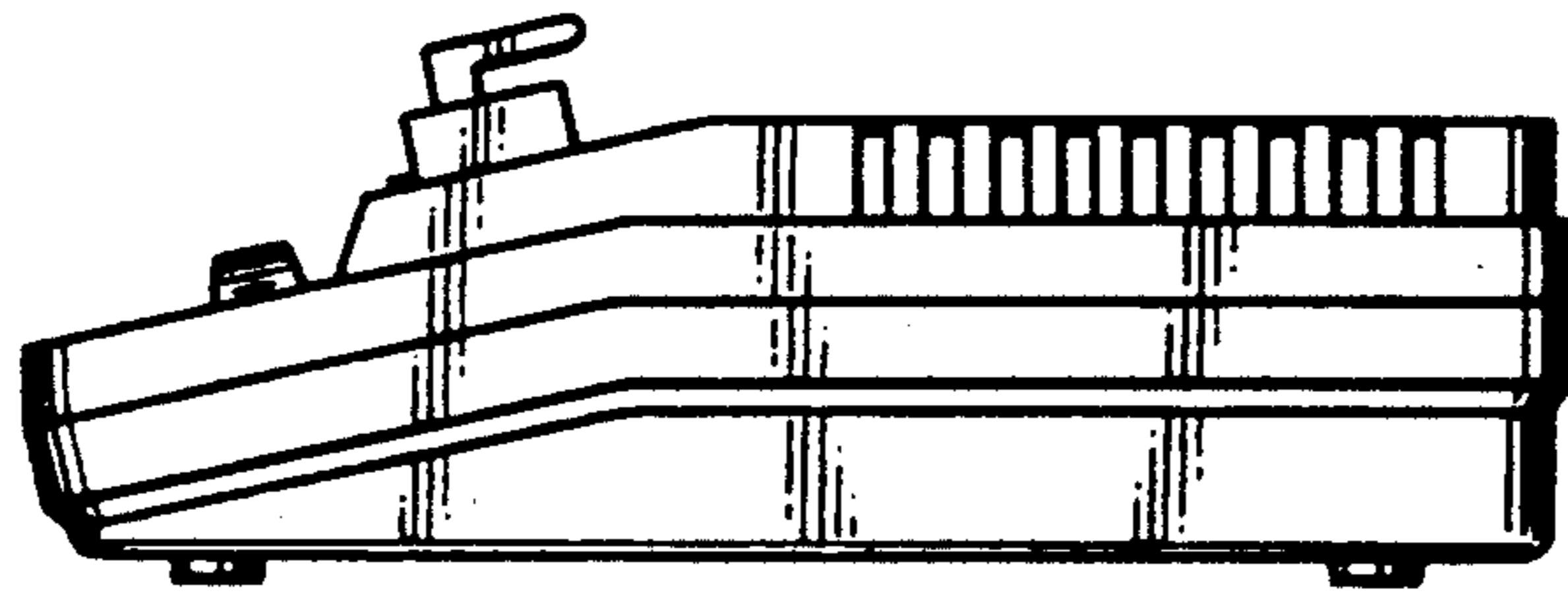


FIG.12

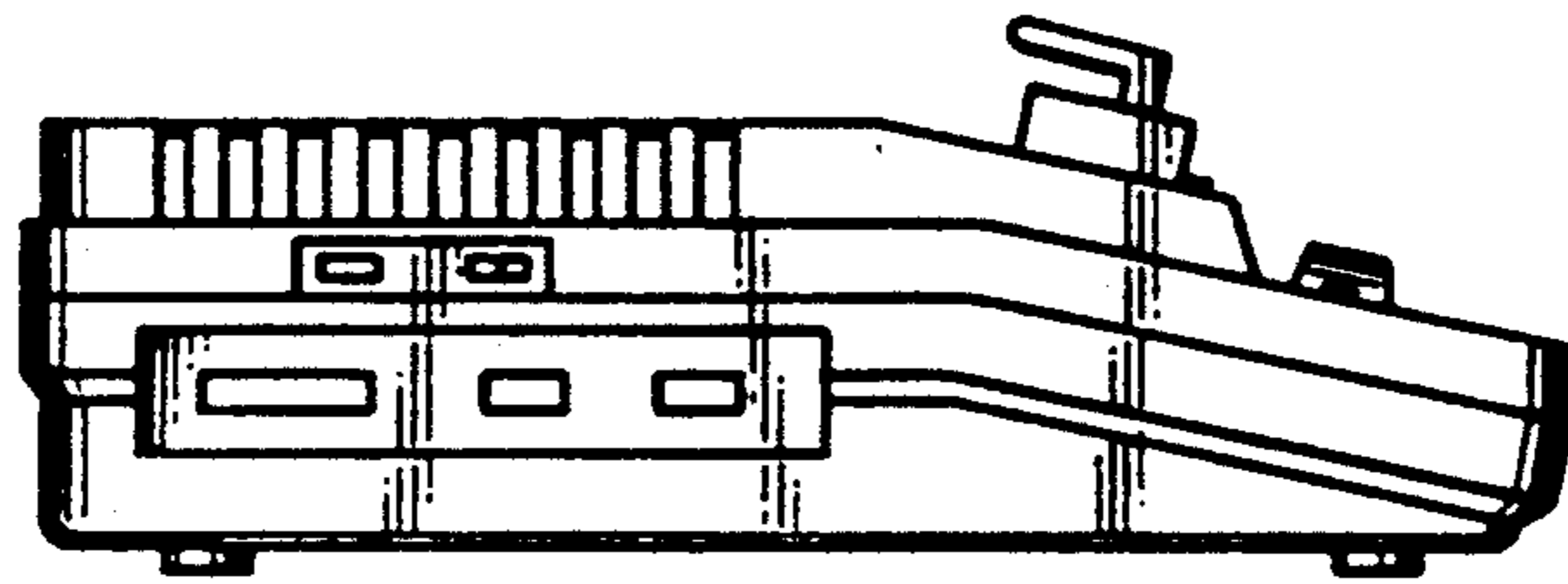


FIG.13

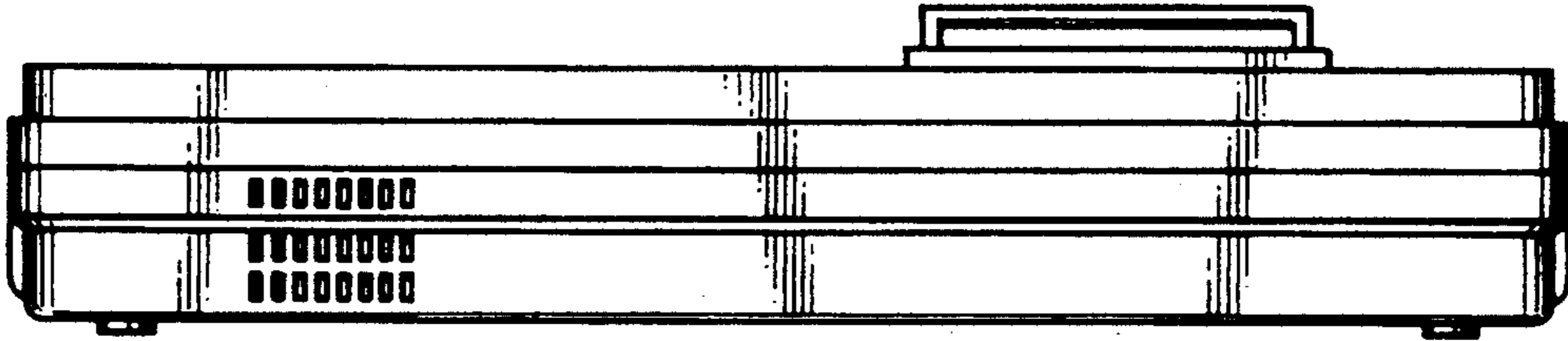


FIG.14

