

[54] EXPANSION UNIT FOR PORTABLE COMPUTER

[75] Inventor: Masaaki Iino, Yokohama, Japan

[73] Assignee: Kabushiki Kaisha Toshiba, Kanagawa, Japan

[\*\*] Term: 14 Years

[21] Appl. No.: 559,570

[22] Filed: Jul. 27, 1990

[30] Foreign Application Priority Data

Mar. 23, 1990 [JP] Japan ..... 2-9611

[52] U.S. Cl. .... D14/107

[58] Field of Search ..... D14/100, 107, 114; D13/184, 199, 123, 124, 133, 141, 110, 147; 361/380, 391, 390, 395, 393, 394; 364/708; 439/95, 284, 357, 372

[56] References Cited

U.S. PATENT DOCUMENTS

- D. 313,404 1/1991 Myers ..... D14/107
- D. 318,466 7/1991 Grundstrom et al. .... D14/107
- 4,401,351 8/1983 Record ..... 361/393 X
- 4,501,460 2/1985 Sisler ..... 361/394
- 4,530,066 7/1985 Ohwaki et al. .... 361/390 X
- 4,894,792 1/1990 Mitchell et al. .... 364/708
- 5,036,313 7/1991 Lin et al. .... 361/395 X

FOREIGN PATENT DOCUMENTS

- 728519 4/1988 Japan .
- 740784 8/1988 Japan .
- 740785 8/1988 Japan .
- 754221 2/1989 Japan .

OTHER PUBLICATIONS

"Serial/Parallel Adapter", IBM, Oct. 8, 1986.

Primary Examiner—Wallace R. Burke

Assistant Examiner—Freda S. Nunn

Attorney, Agent, or Firm—Banner, Birch, McKie & Beckett

[57] CLAIM

The ornamental design for an expansion unit for portable computer, as shown and described.

DESCRIPTION

FIG. 1 is a top front and left side perspective view of an expansion unit for portable computer showing my new design, with the connecting terminal shown in the extruded position;

FIG. 2 is a front elevational view thereof;

FIG. 3 is a top plan view thereof;

FIG. 4 is a left side elevational view thereof;

FIG. 5 is a right side elevational view thereof;

FIG. 6 is a rear elevational view thereof; and,

FIG. 7 is a bottom plan view thereof.

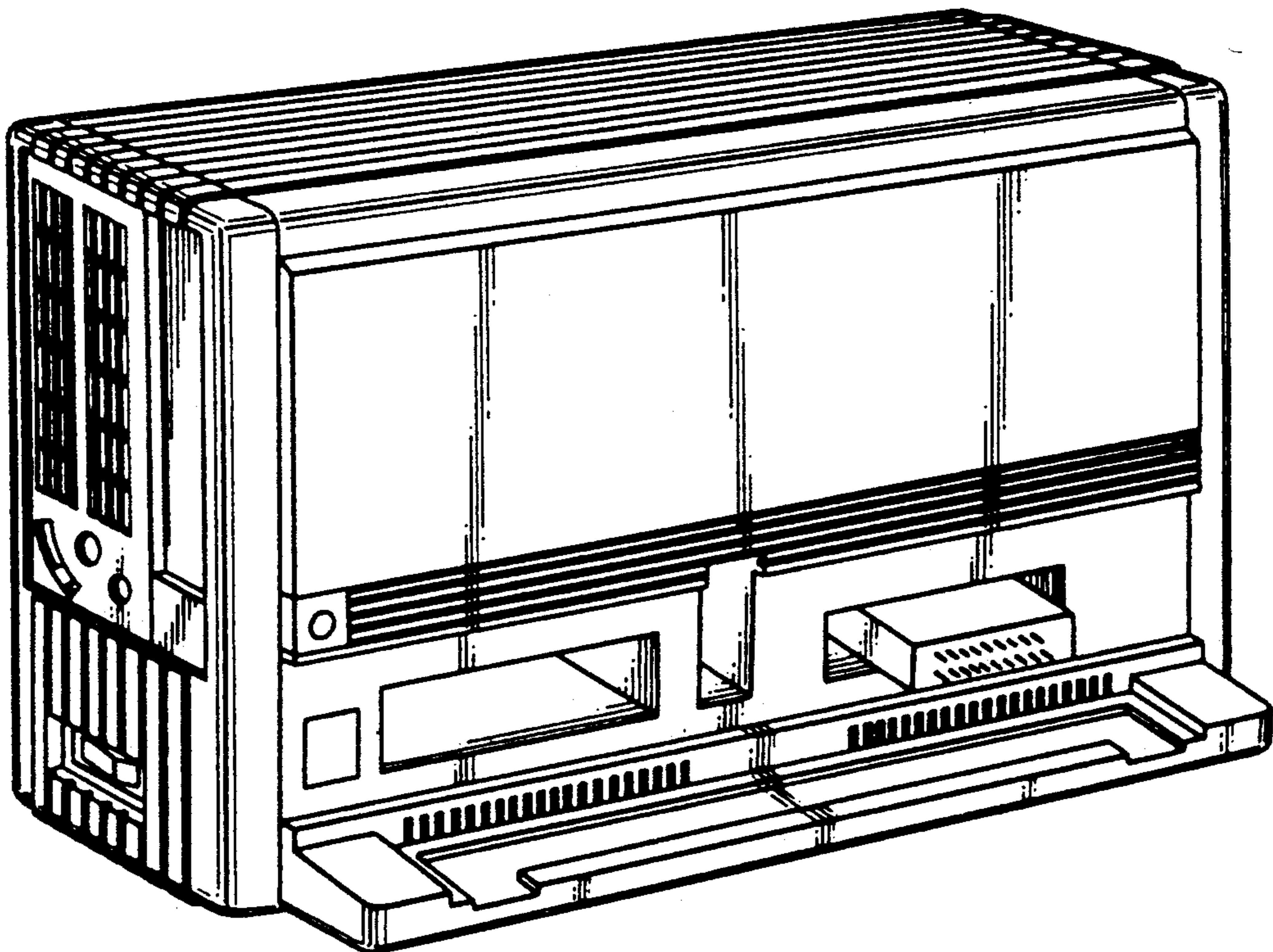


FIG. 1

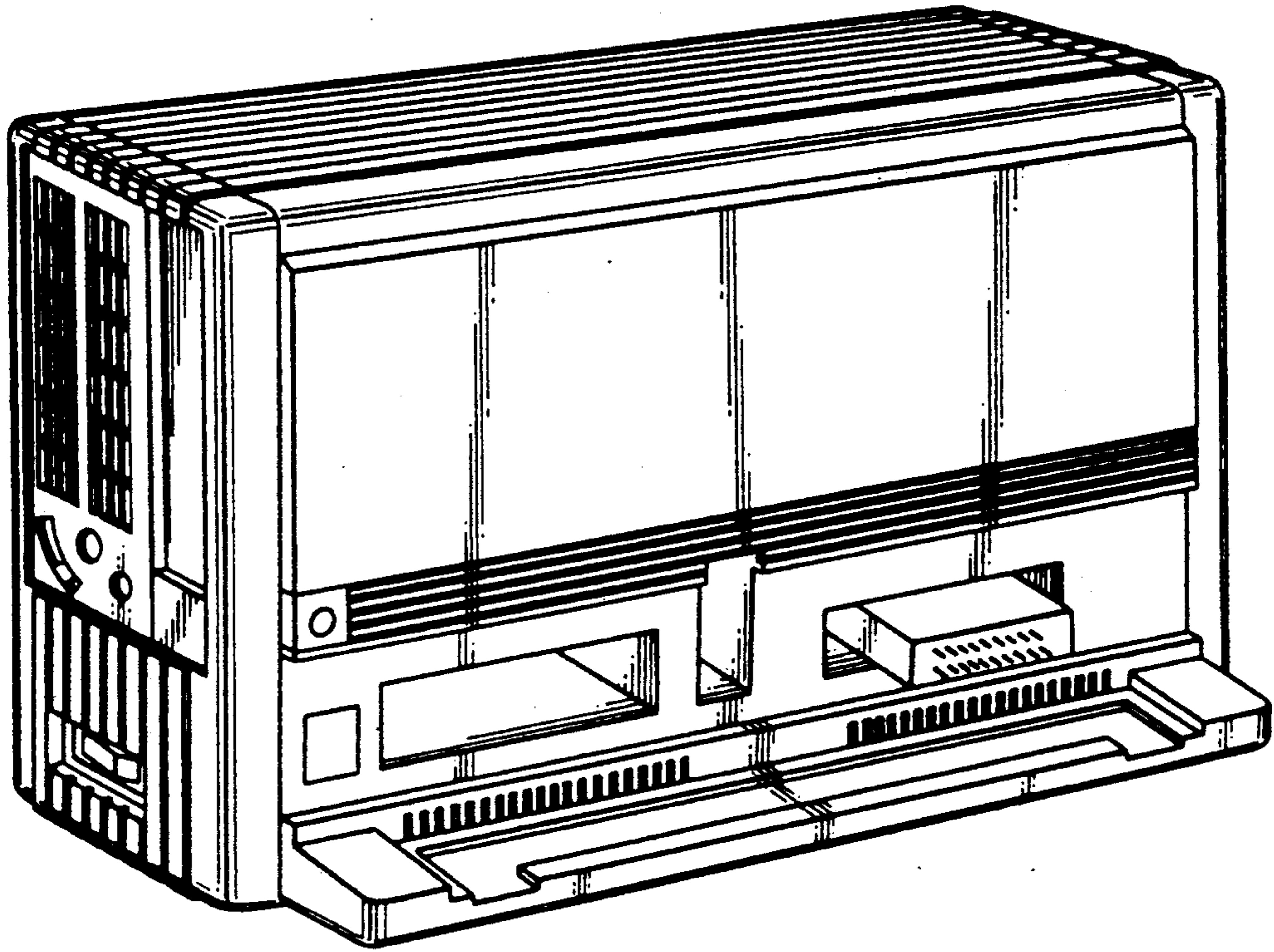


FIG. 2

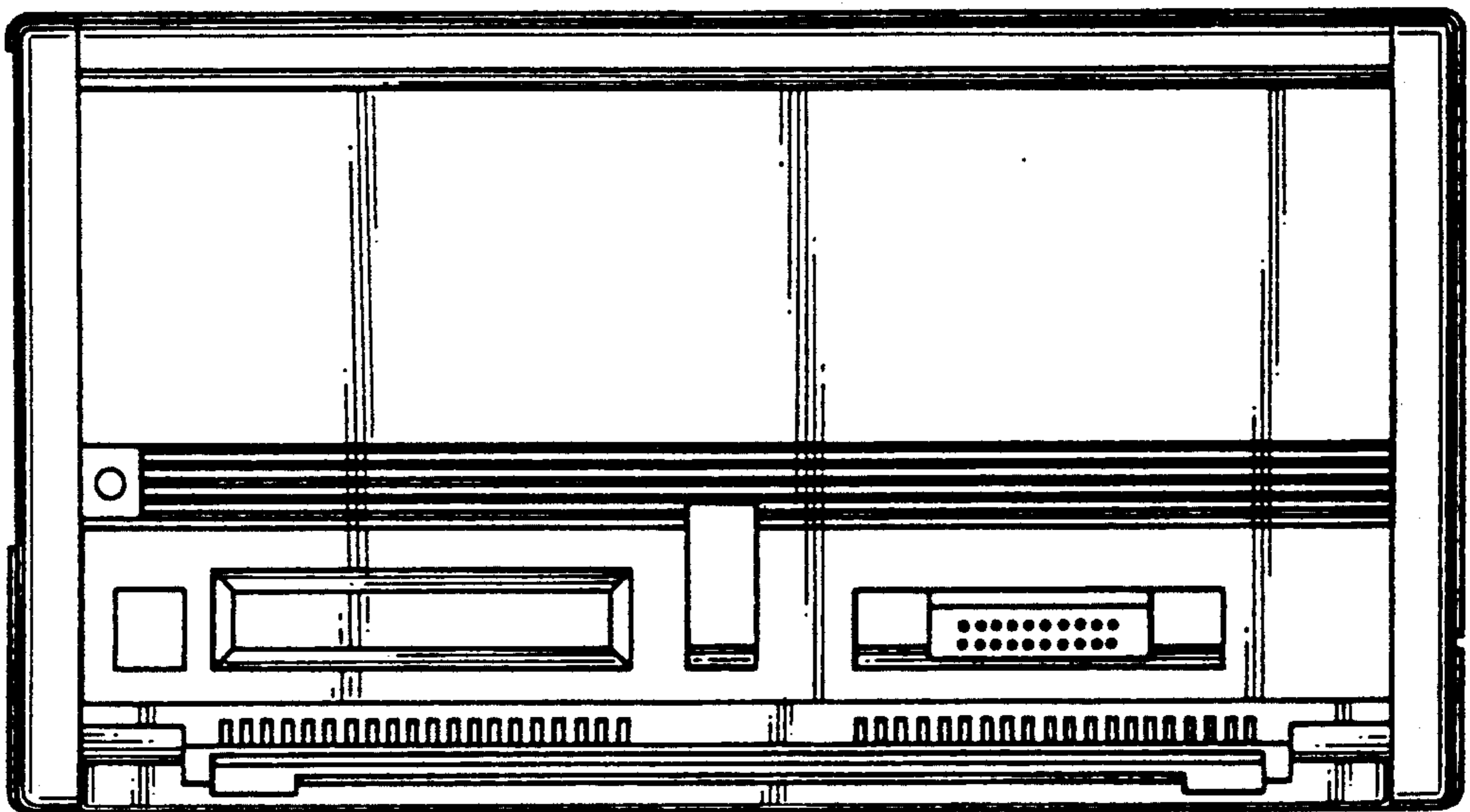


FIG.3

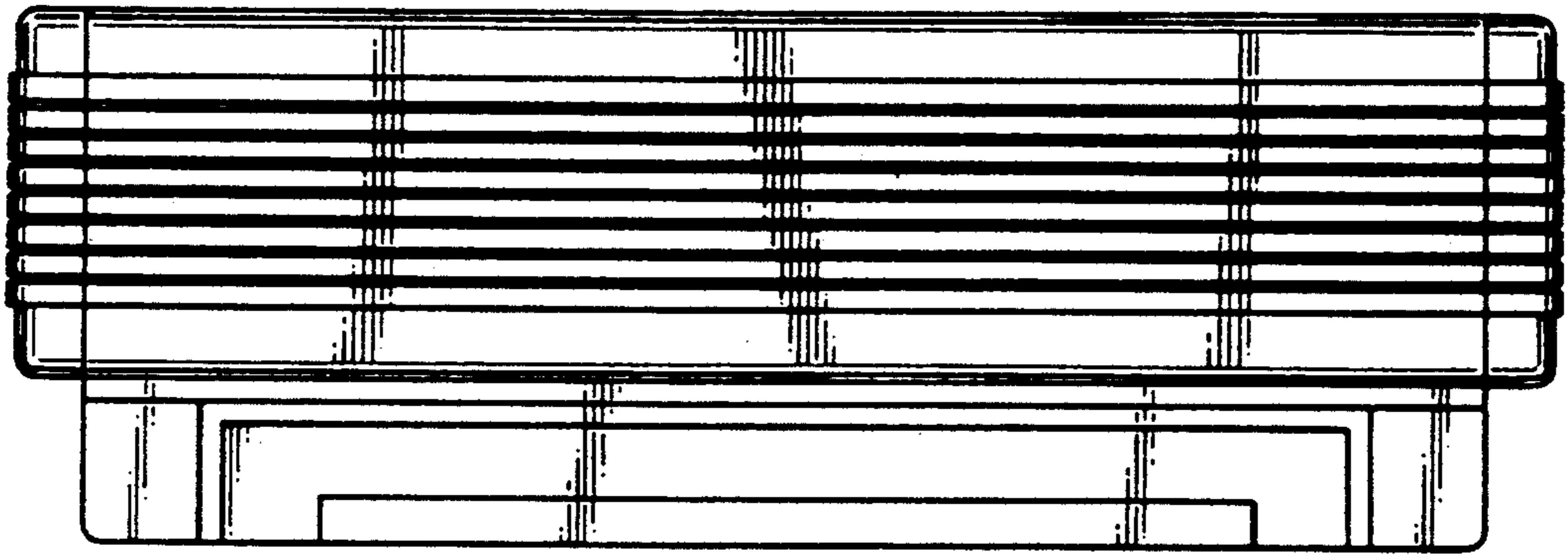


FIG.4

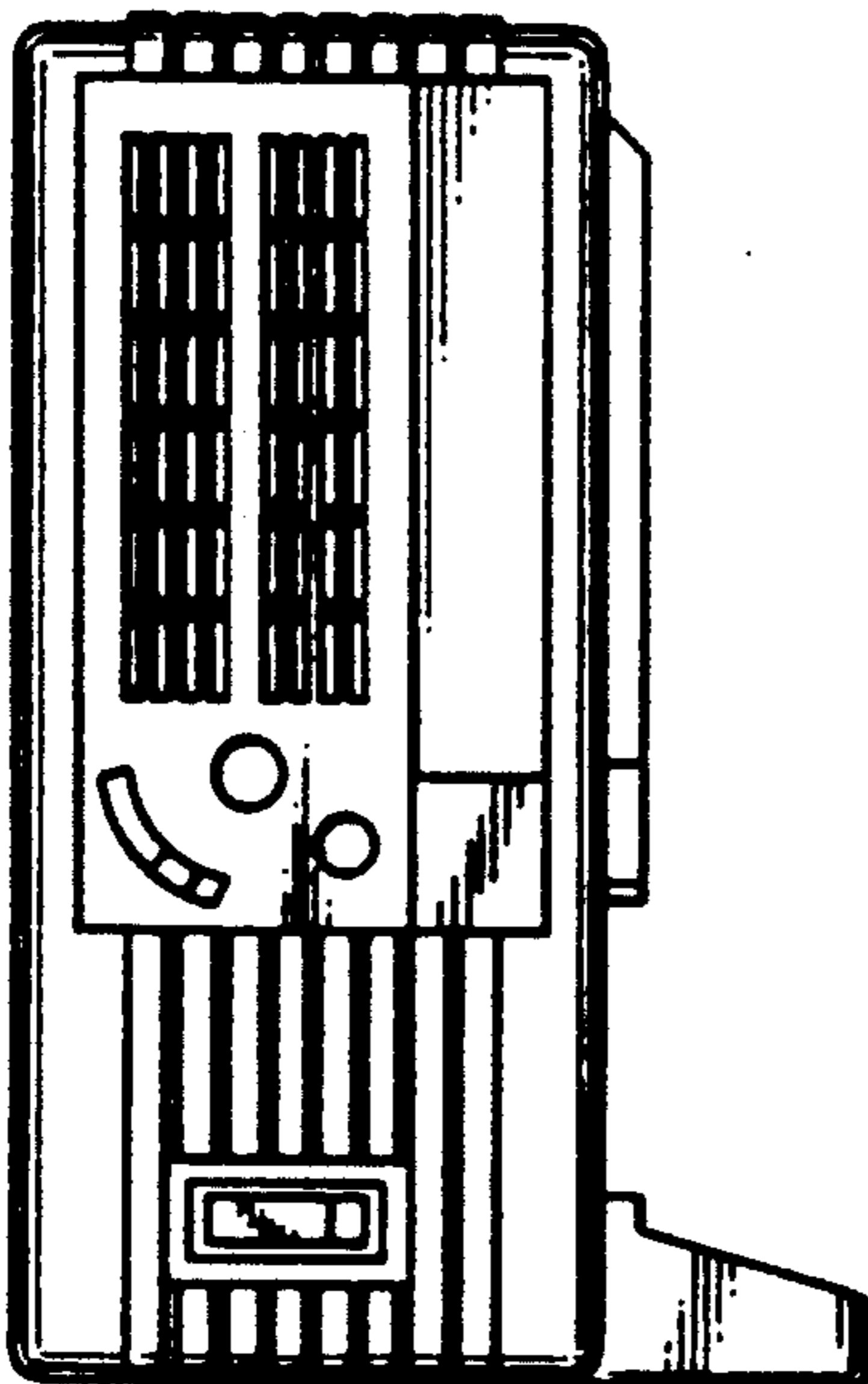


FIG.5

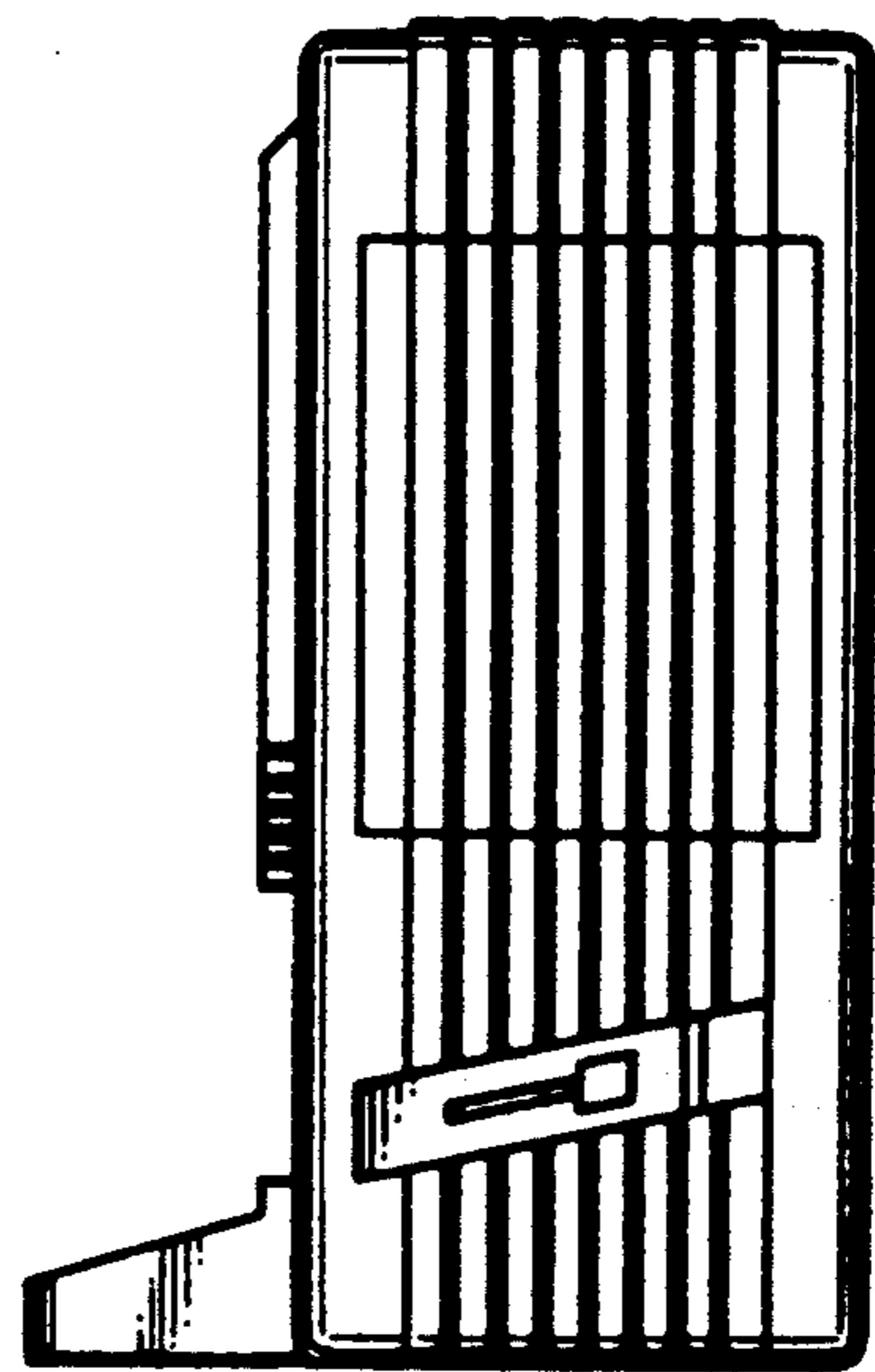


FIG. 6

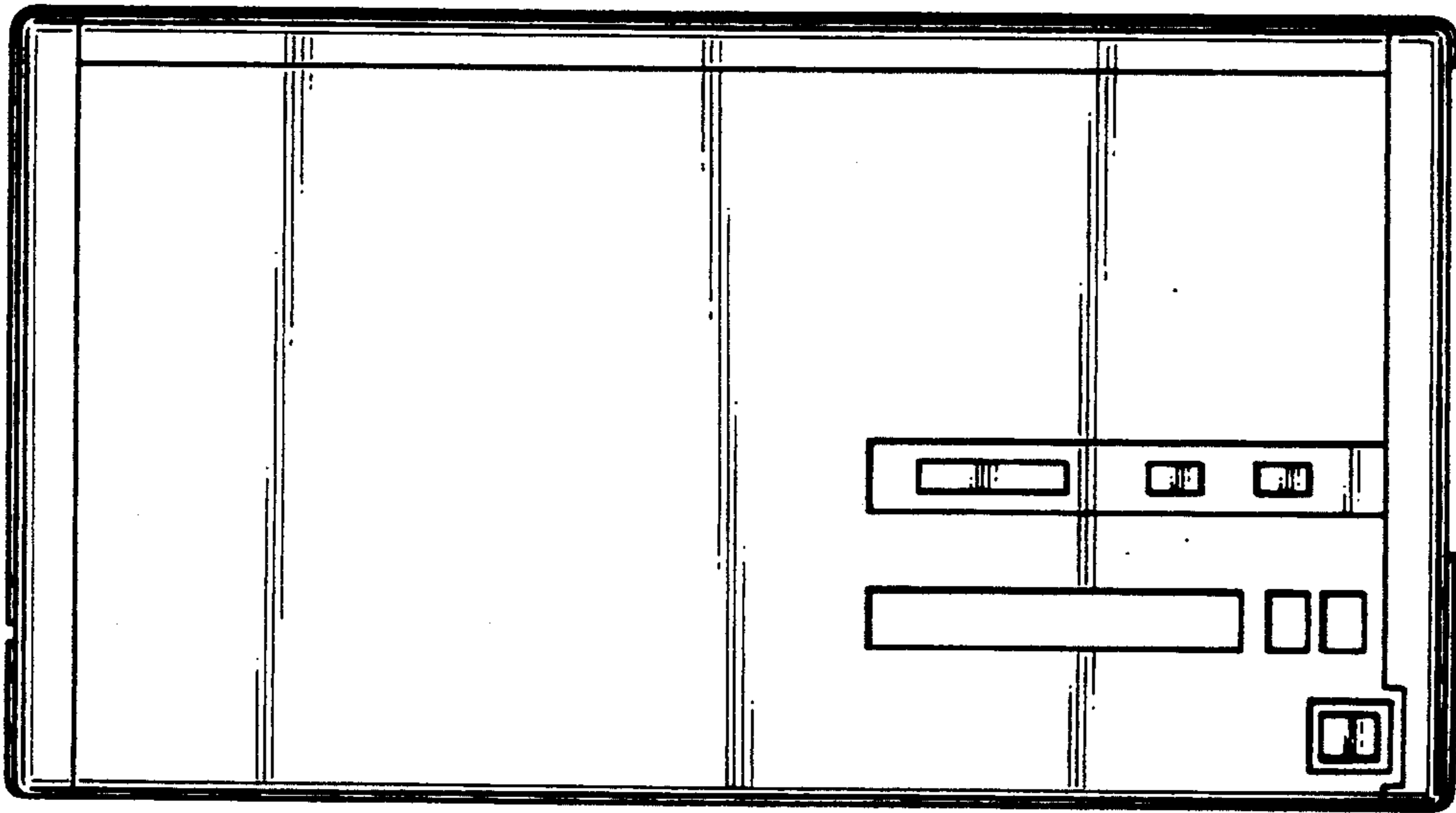


FIG. 7

