



US00D332085S

United States Patent [19]

[11] Patent Number: **Des. 332,085**

Bender

[45] Date of Patent: **** Dec. 29, 1992**

[54] ELECTRICAL CONNECTOR FOR APPLIANCES

- [75] Inventor: **Peter E. Bender**, Wädenswil, Switzerland
- [73] Assignee: **Schurter AG**, Luzern, Switzerland
- [**] Term: **14 Years**
- [21] Appl. No.: **296,758**
- [22] Filed: **Jan. 13, 1989**

[30] Foreign Application Priority Data

- Jul. 20, 1988 [CH] Switzerland 116 874
- [52] U.S. Cl. **D13/146; D13/169**
- [58] Field of Search D13/158, 159, 174, 142, D13/133, 139, 146; 200/302.2, 315, 339, 553; 439/527, 529, 533, 540, 677-679, 685

[56] References Cited

U.S. PATENT DOCUMENTS

- D. 278,624 4/1985 Stone D13/146
- 3,965,397 6/1976 Pearsall, Jr. 439/299

OTHER PUBLICATIONS

Power receptacles on p. 168 of Allied-Electronics Catalog 1986.
 Power Entry Modules on p. 36 of Arrow Electronics Catalog © 1988.
Primary Examiner—Wallace R. Burke
Assistant Examiner—Joel Sincavage
Attorney, Agent, or Firm—Watson, Cole, Grindle & Watson

[57] CLAIM

The ornamental design for an electrical connector for appliances, as shown and described.

DESCRIPTION

FIG. 1 is a top plan view of an electrical connector for appliances showing my new design, the bottom plan view being plain and unornamented;
 FIG. 2 is a left side elevational view thereof;
 FIG. 3 is a left end elevational view thereof;
 FIG. 4 is a right end elevational view thereof; and,
 FIG. 5 is a right end and upper right side perspective view thereof.

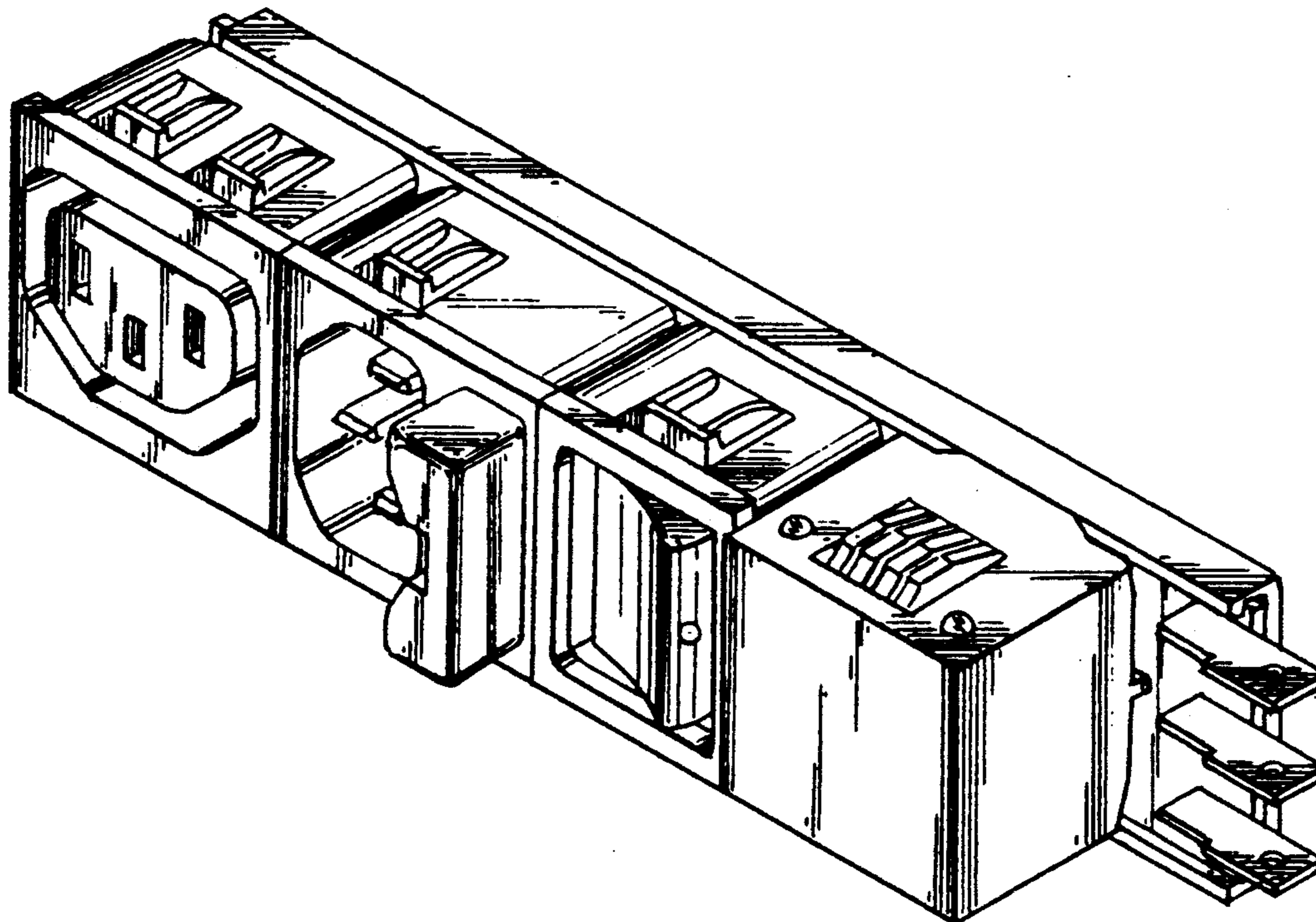


FIG. 1

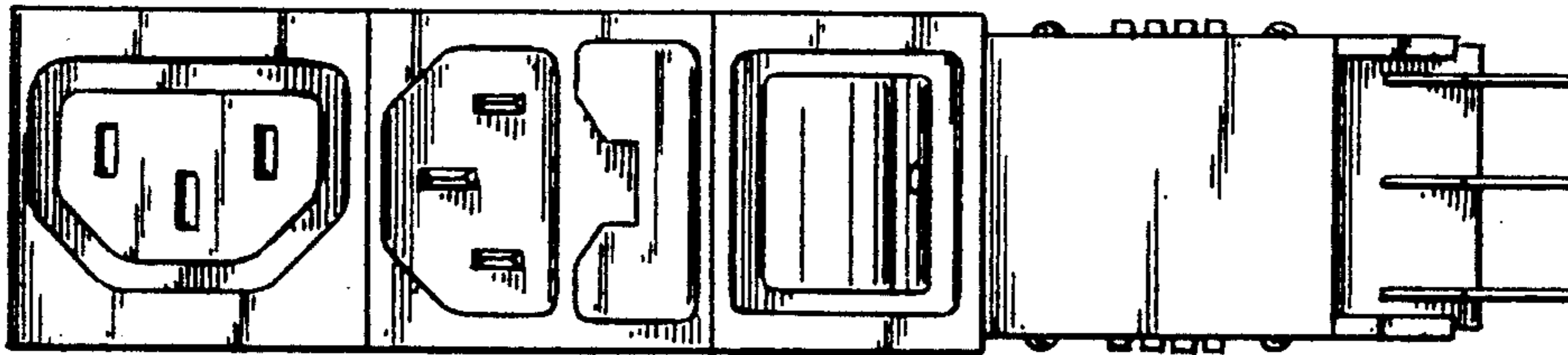


FIG. 2

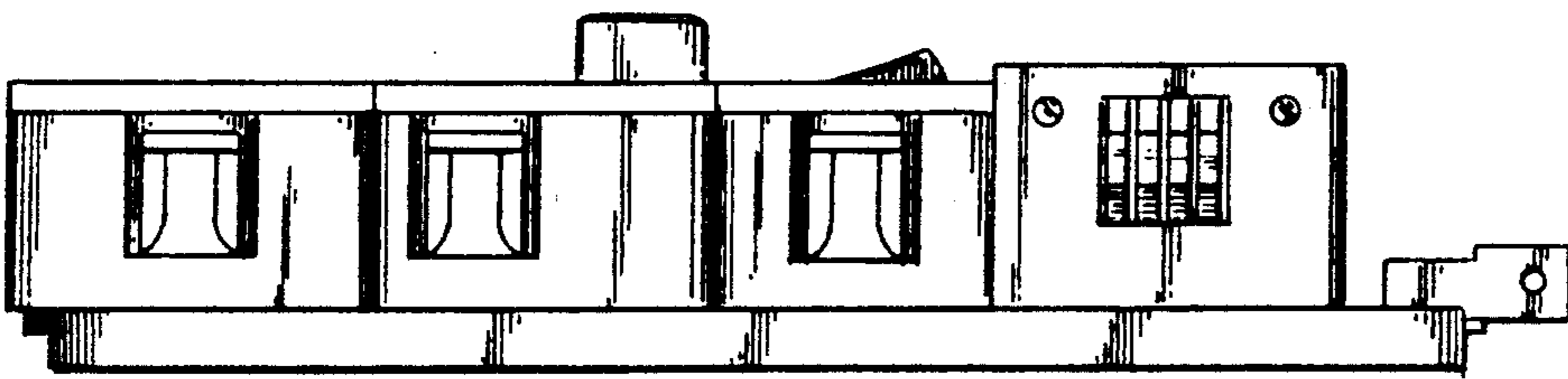


FIG. 3

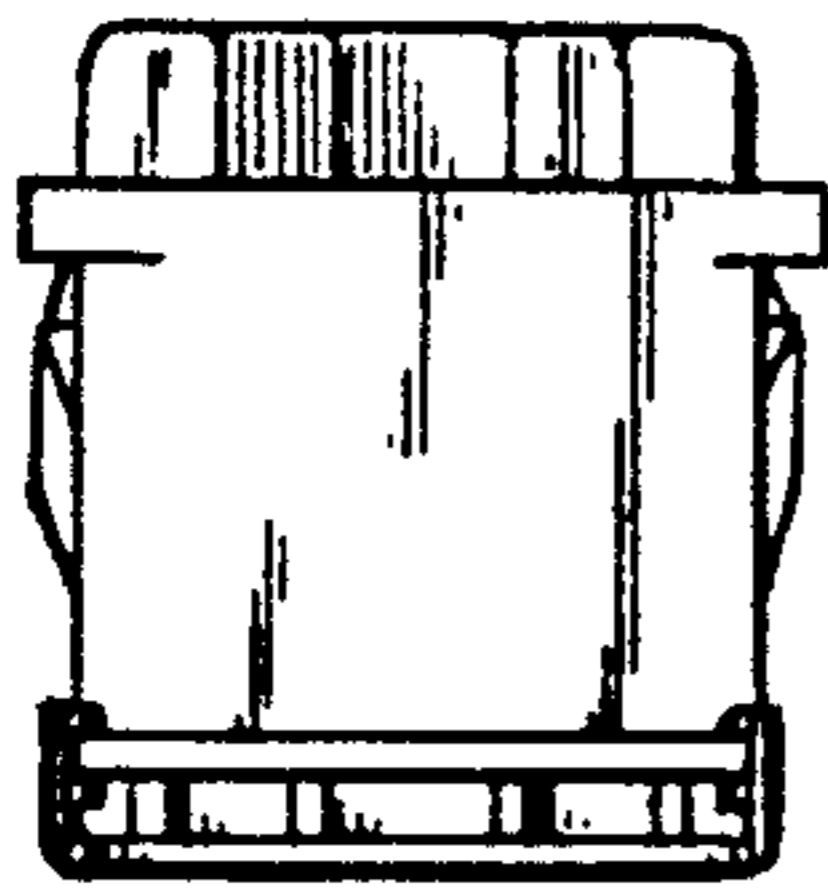


FIG. 4

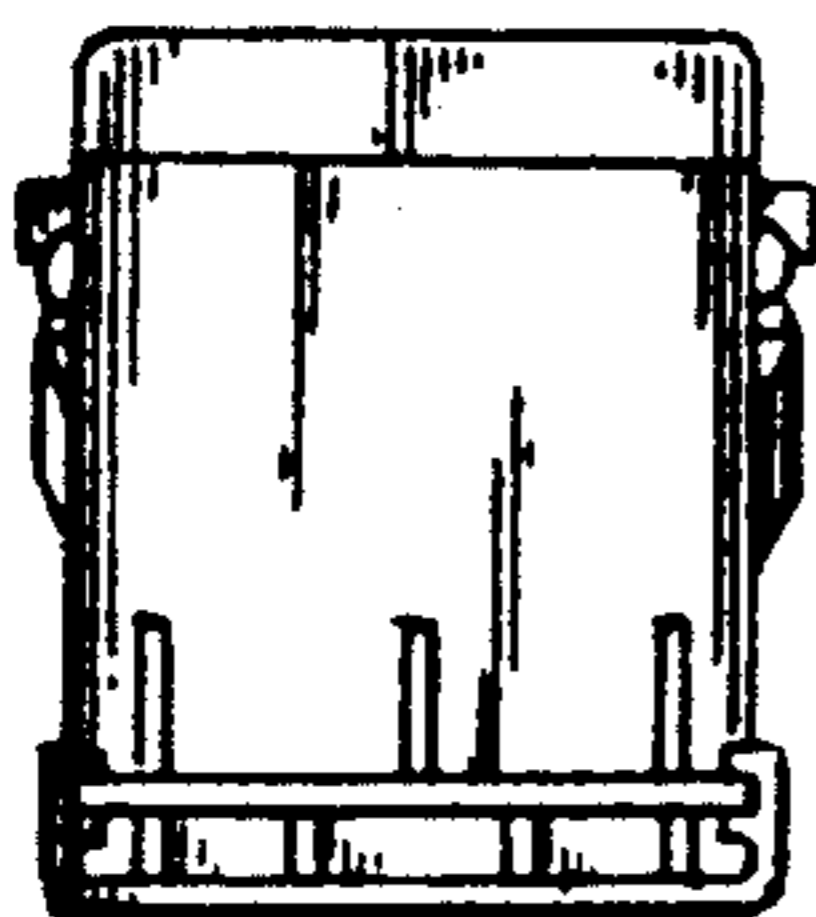


FIG. 5

