



US00D332078S

United States Patent [19]

[11] Patent Number: **Des. 332,078**

Shallene

[45] Date of Patent: **** Dec. 29, 1992**

[54] **HELICOPTER**

D. 242,338	11/1976	Gilday	D12/327
D. 271,390	11/1983	Schramm	D12/327
D. 278,227	4/1985	Johnston, Jr.	D12/327

[75] Inventor: **Frank M. Shallene**, Fort Worth, Tex.

[73] Assignee: **Bell Helicopter Textron Inc.**, Fort Worth, Tex.

Primary Examiner—Kay H. Chin
Attorney, Agent, or Firm—Robert A. Felsman

[**] Term: **14 Years**

[57] **CLAIM**

[21] Appl. No.: **742,930**

The ornamental design for a helicopter, as shown and described.

[22] Filed: **Aug. 9, 1991**

[52] U.S. Cl. **D12/327**

[58] Field of Search **D12/327, 326;**
244/17.11, 17.19, 17.21

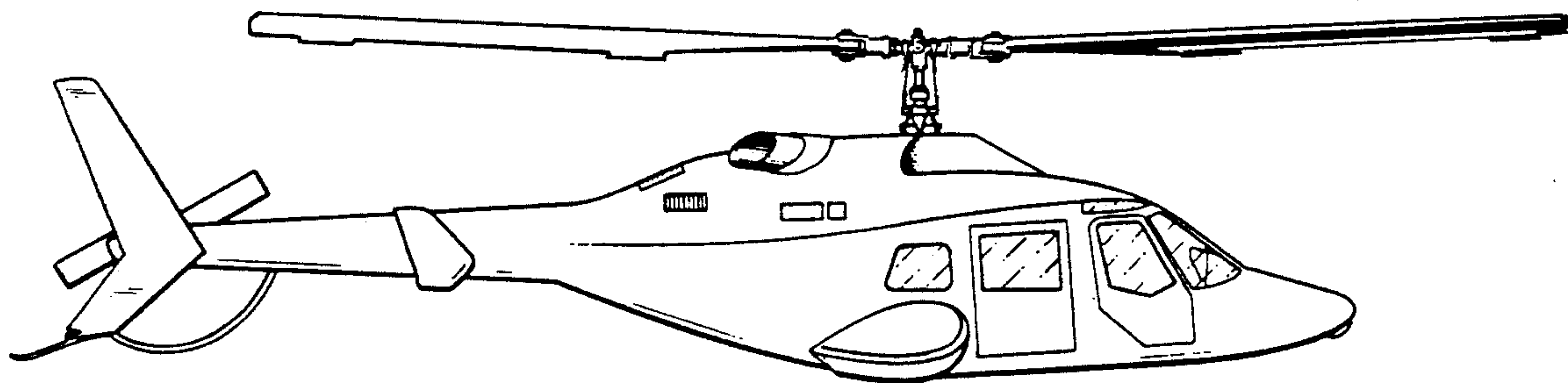
DESCRIPTION

FIG. 1 is a left side elevational view of a helicopter showing my new design;
FIG. 2 is a right side elevational view thereof;
FIG. 3 is a front elevational view thereof;
FIG. 4 is a rear elevational view thereof;
FIG. 5 is a top plan view thereof; and,
FIG. 6 is a bottom plan view thereof.

[56] **References Cited**

U.S. PATENT DOCUMENTS

D. 193,370	8/1962	Mertens	D12/327
D. 239,710	4/1976	Garrison	D12/327



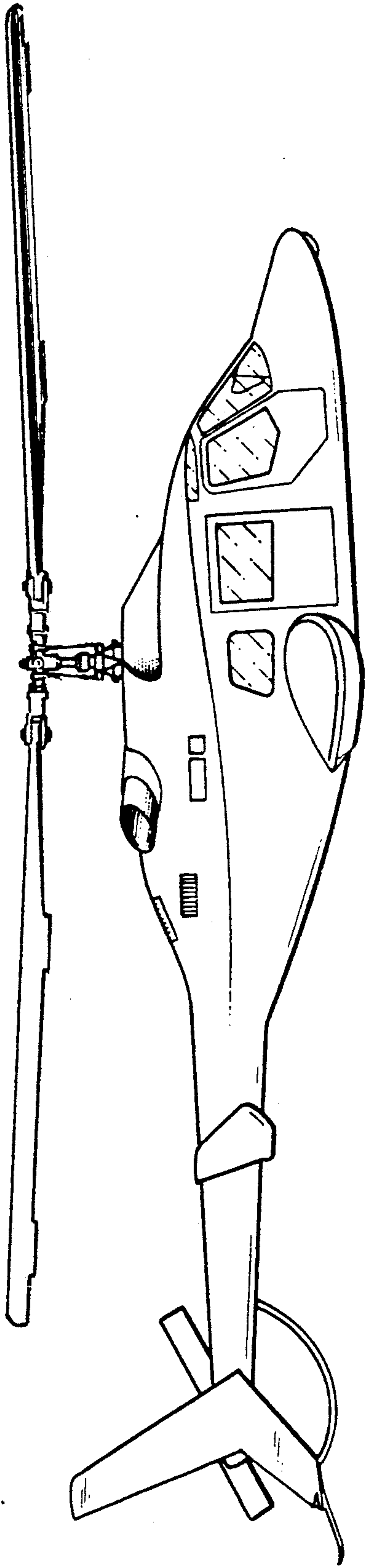


Fig. 1

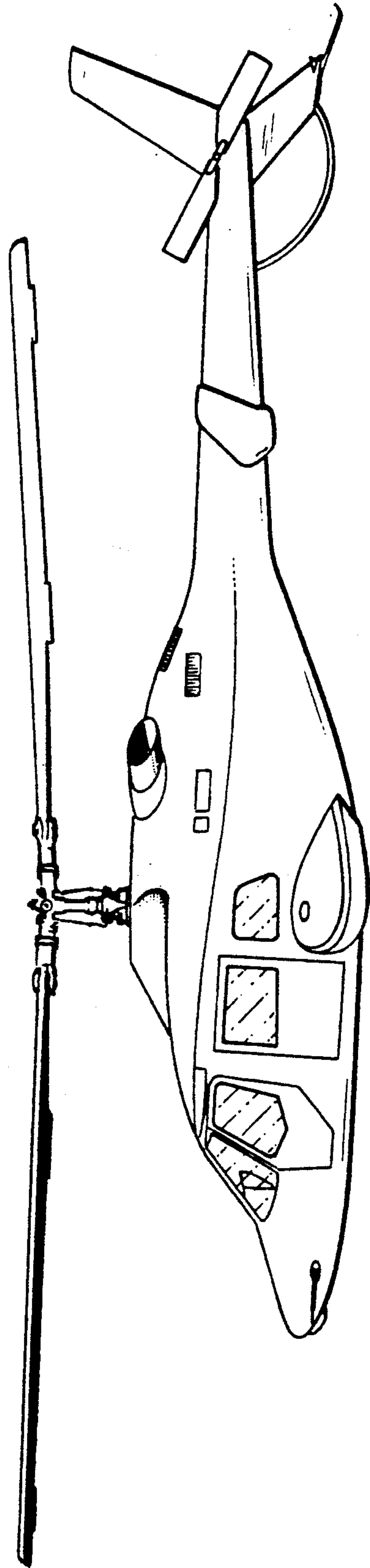


Fig. 2

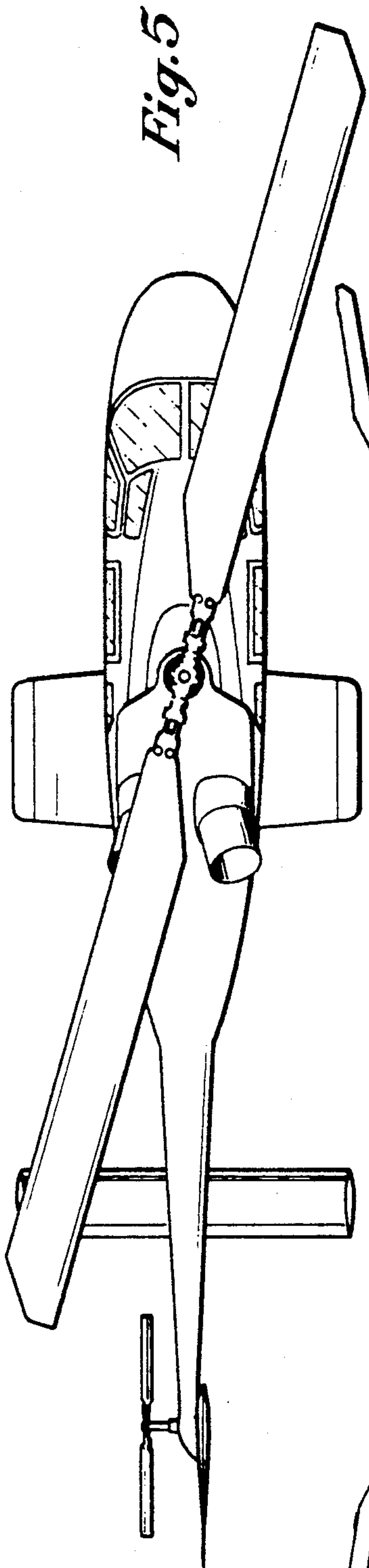


Fig. 5

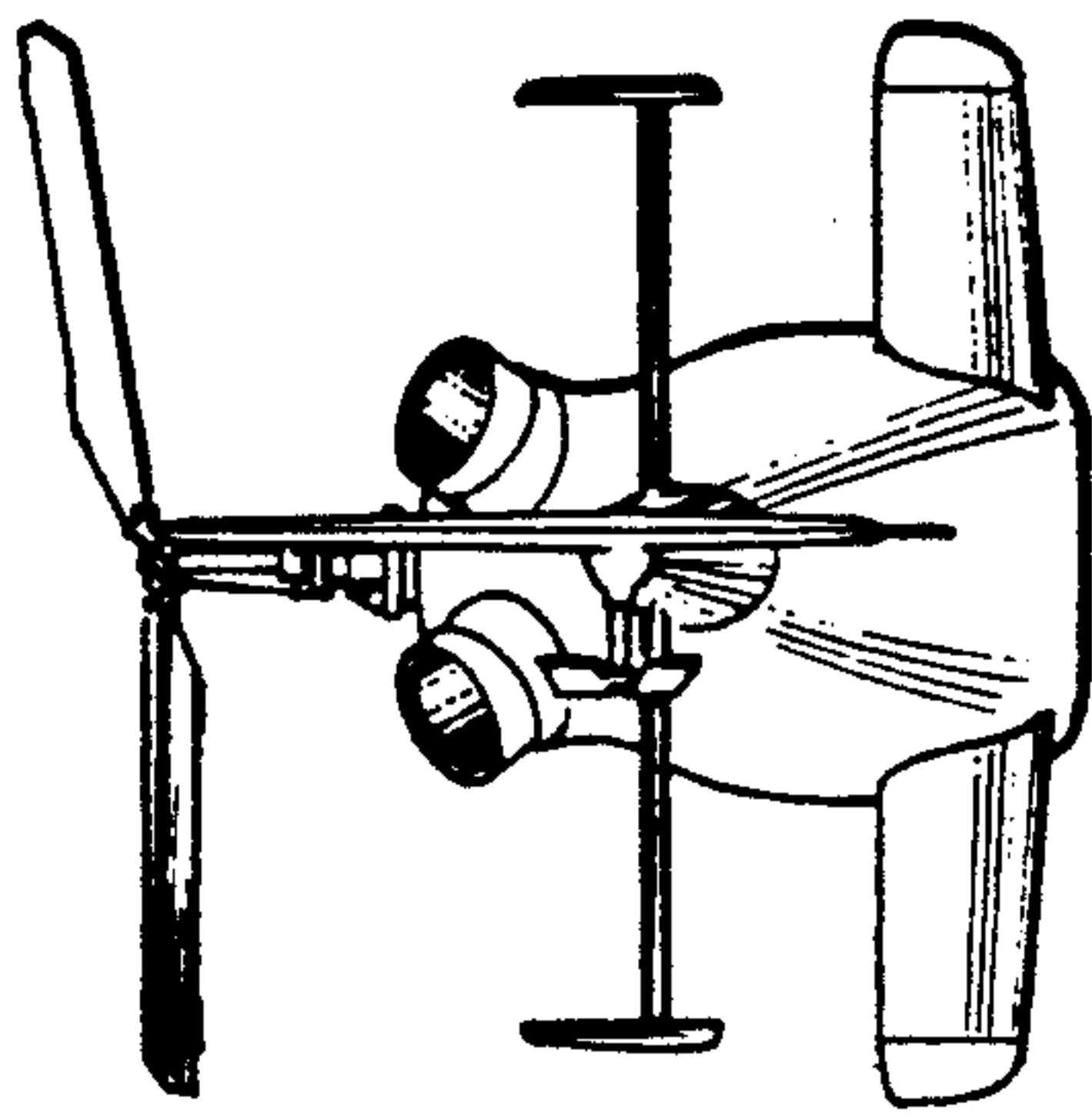


Fig. 4

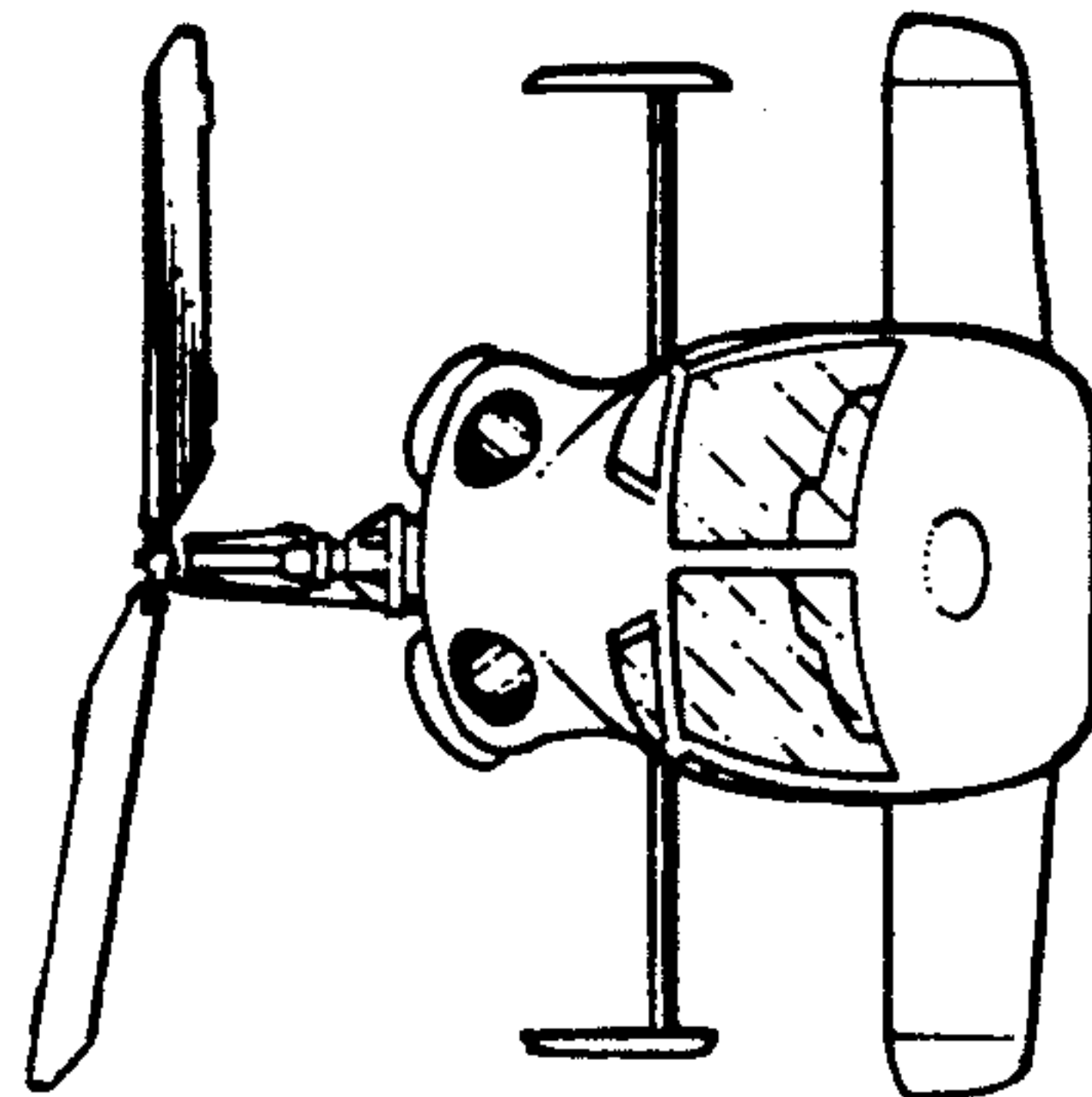


Fig. 3

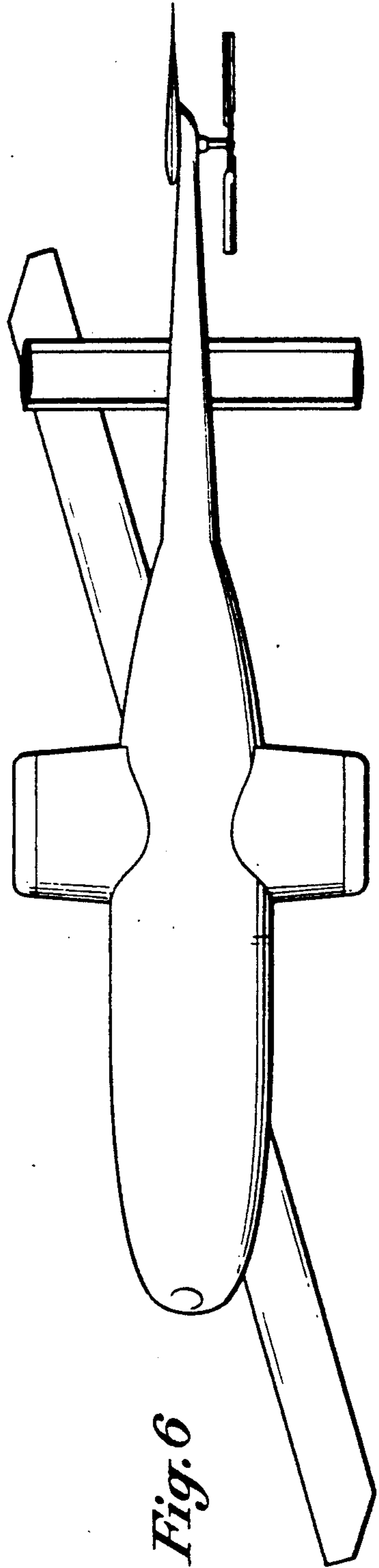


Fig. 6