



US00D332069S

United States Patent [19]

Gibson et al.

[11] Patent Number: **Des. 332,069**

[45] Date of Patent: **** Dec. 29, 1992**

[54] **STROLLER**

[76] Inventors: **Sylvia A. Gibson; James E. Gibson,**
both of 1215 Daisy Ave., Long
Beach, Calif. 90813

[**] Term: **14 Years**

[21] Appl. No.: **500,810**

[22] Filed: **Mar. 29, 1990**

[52] U.S. Cl. **D12/129; D12/128**

[58] Field of Search **D12/128, 129, 130;**
280/650, 647, 47.38; 296/78.1, 37.4

[56] **References Cited**

U.S. PATENT DOCUMENTS

2,642,924 6/1953 Gill 280/650
3,193,322 7/1965 Hines 296/78.1

FOREIGN PATENT DOCUMENTS

485480 2/1952 Italy 280/647
705544 3/1954 United Kingdom 280/47.38

Primary Examiner—Kay H. Chin
Attorney, Agent, or Firm—Leon Gilden

[57] **CLAIM**

The ornamental design for a stroller, as shown and described.

DESCRIPTION

FIG. 1 is a front elevational view of a stroller showing my new design;

FIG. 2 is a rear elevational view thereof;

FIG. 3 is a left side elevational view thereof;

FIG. 4 is a right side elevational view thereof;

FIG. 5 is a top plan view thereof;

FIG. 6 is a bottom plan view thereof; and,

FIG. 7 is a top and right side perspective view thereof.

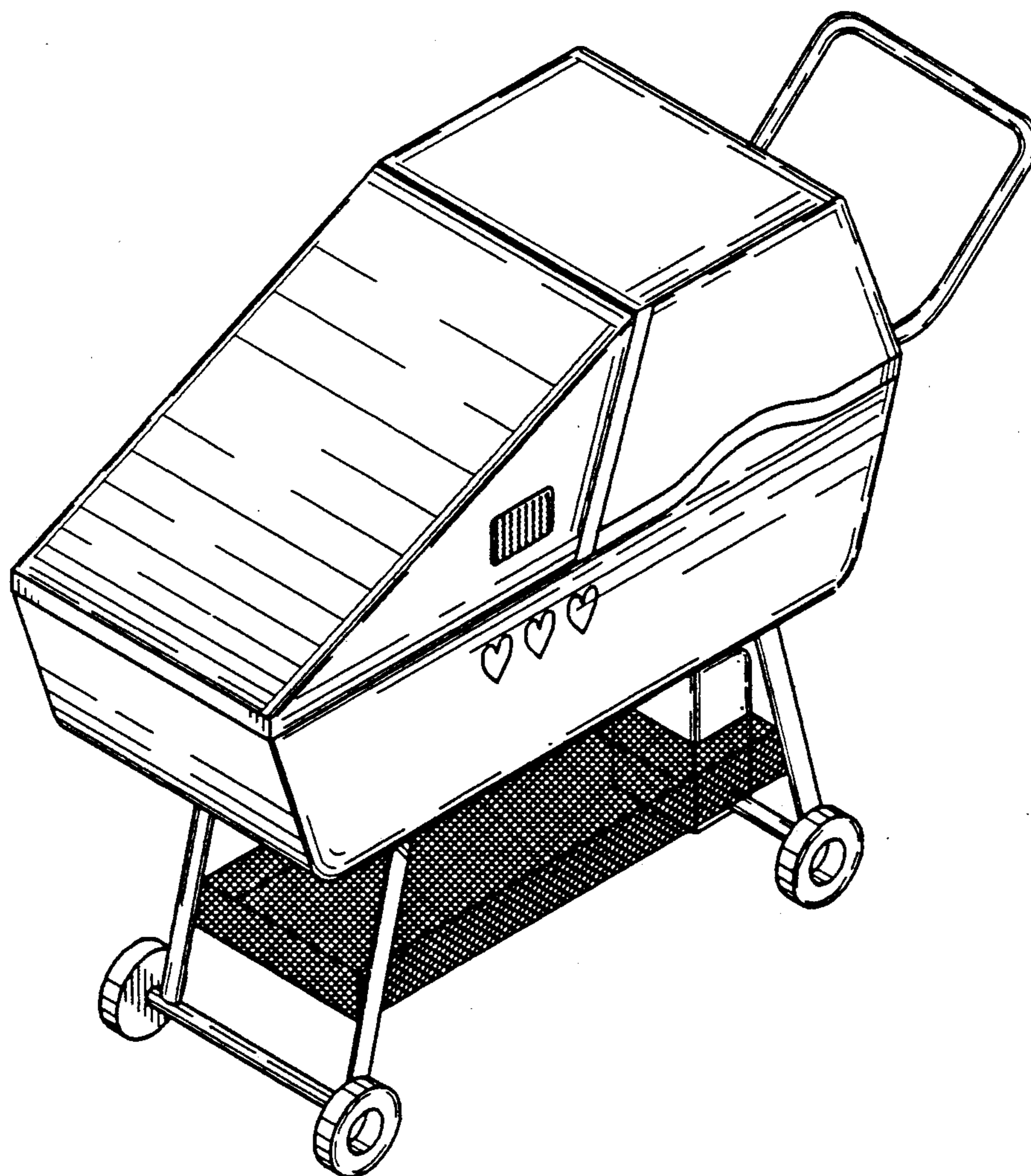


FIG. 1

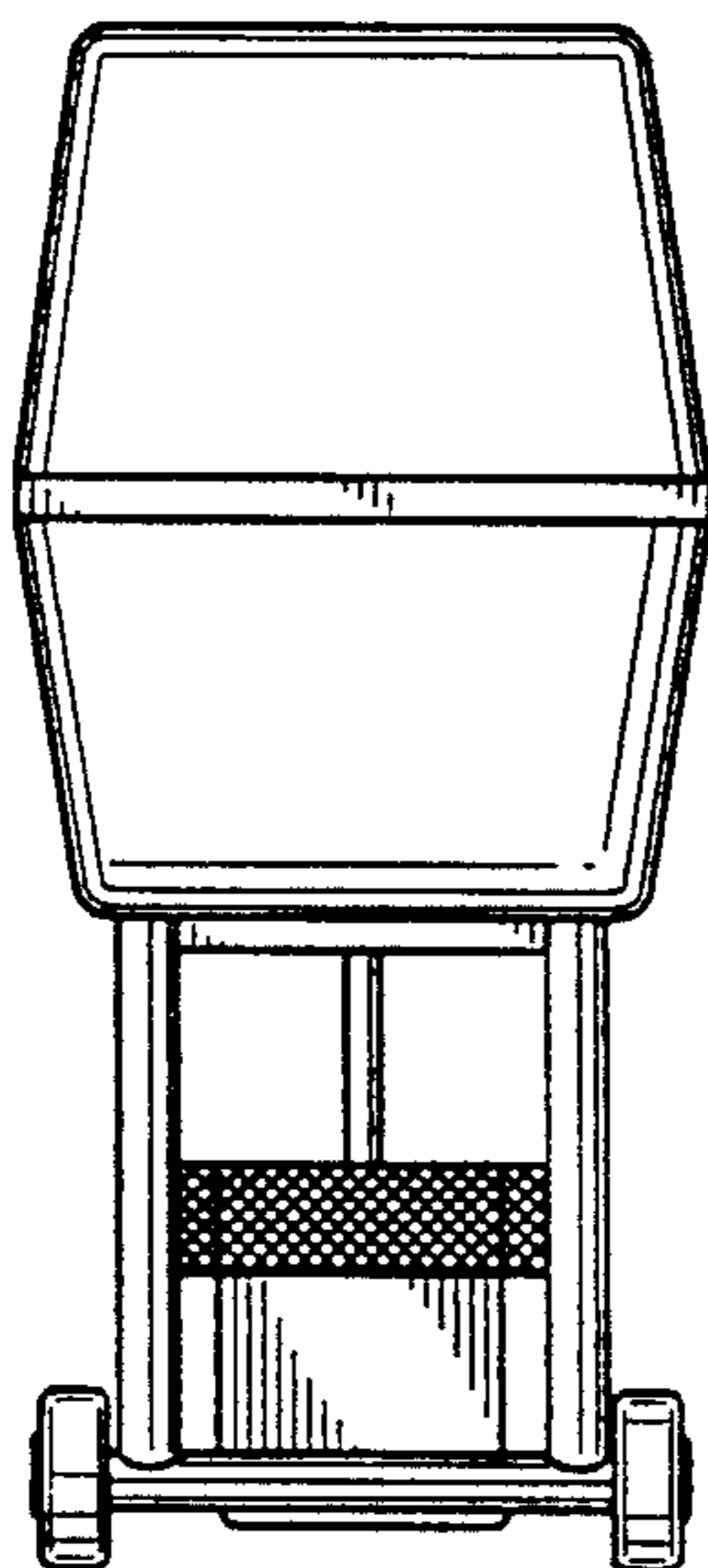


FIG. 2

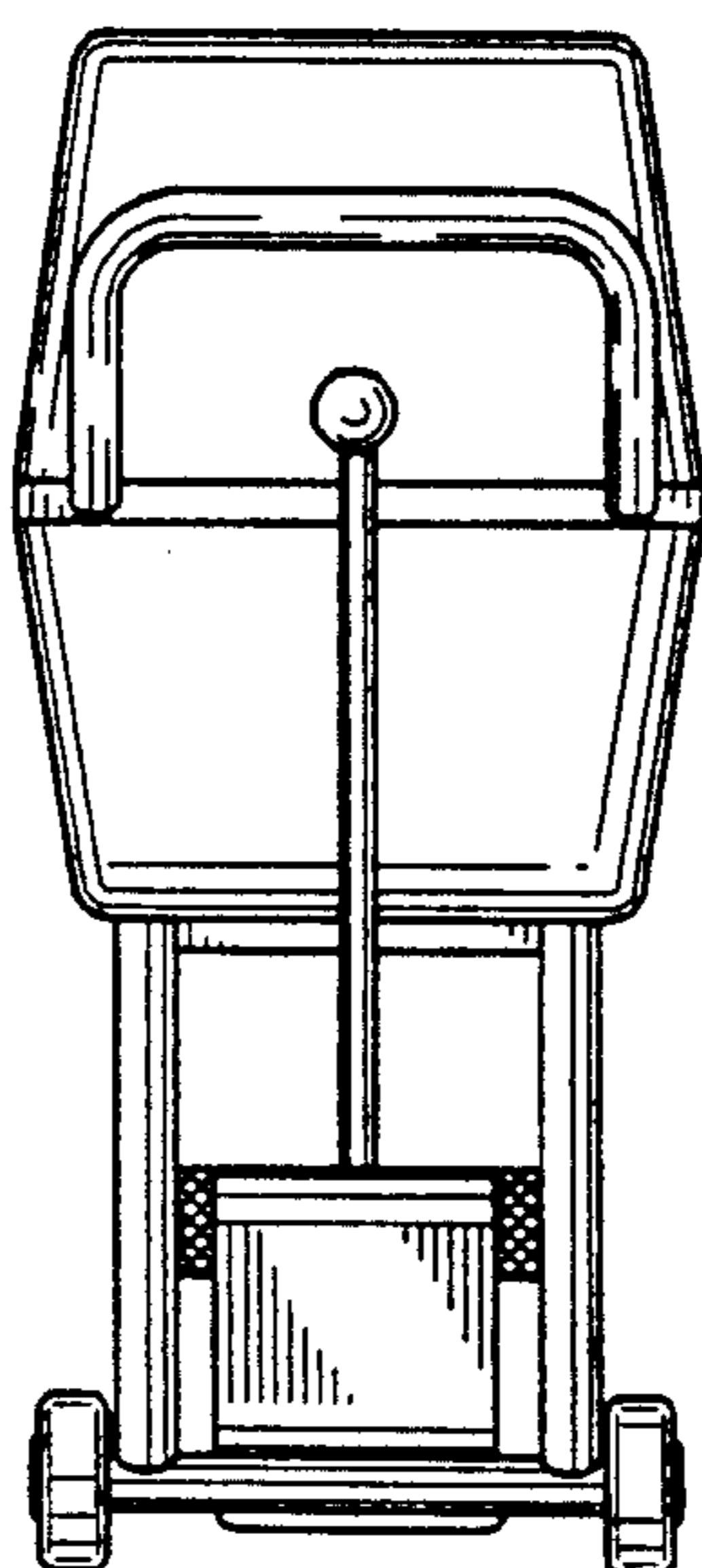


FIG. 3

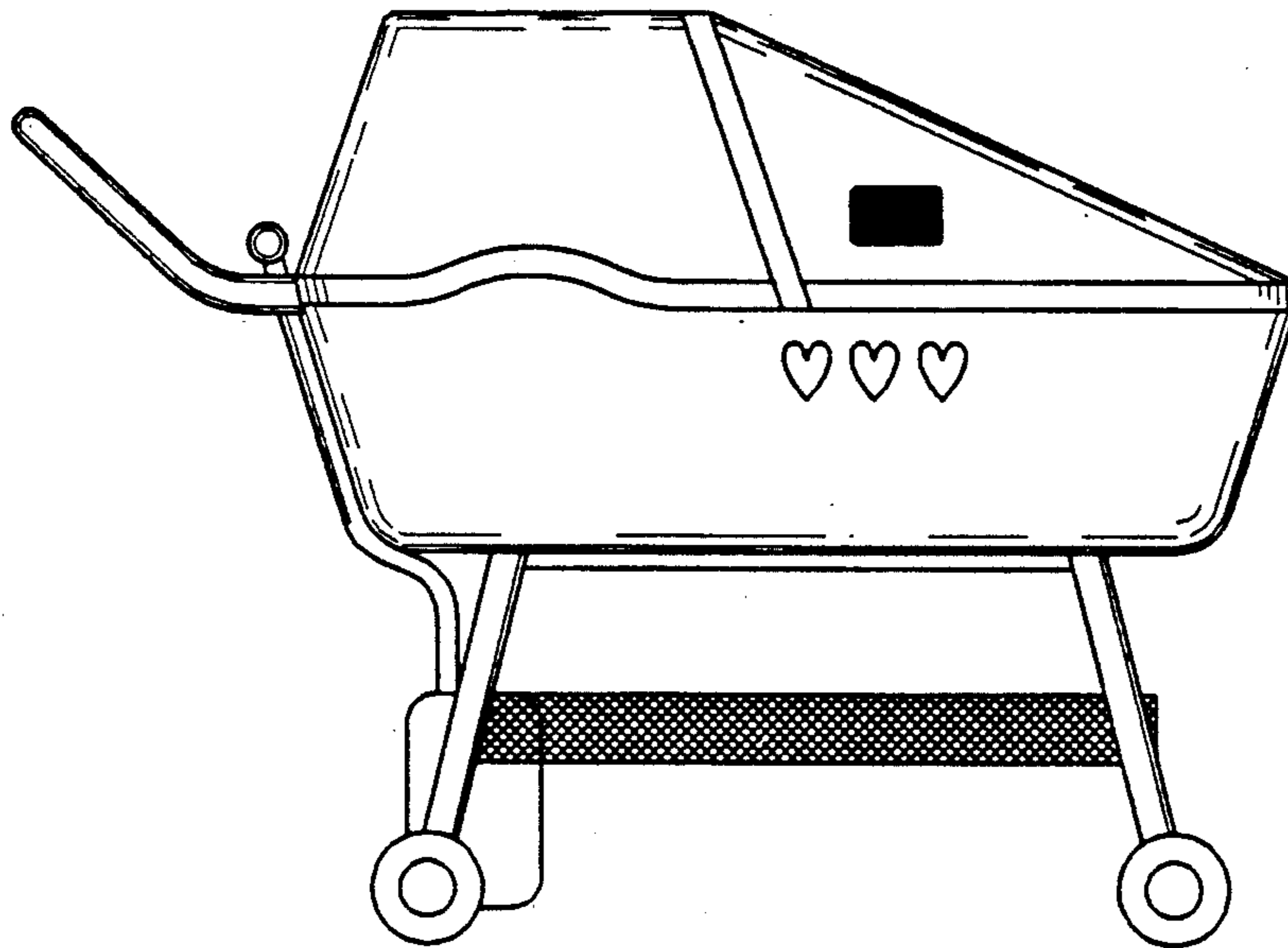


FIG. 4

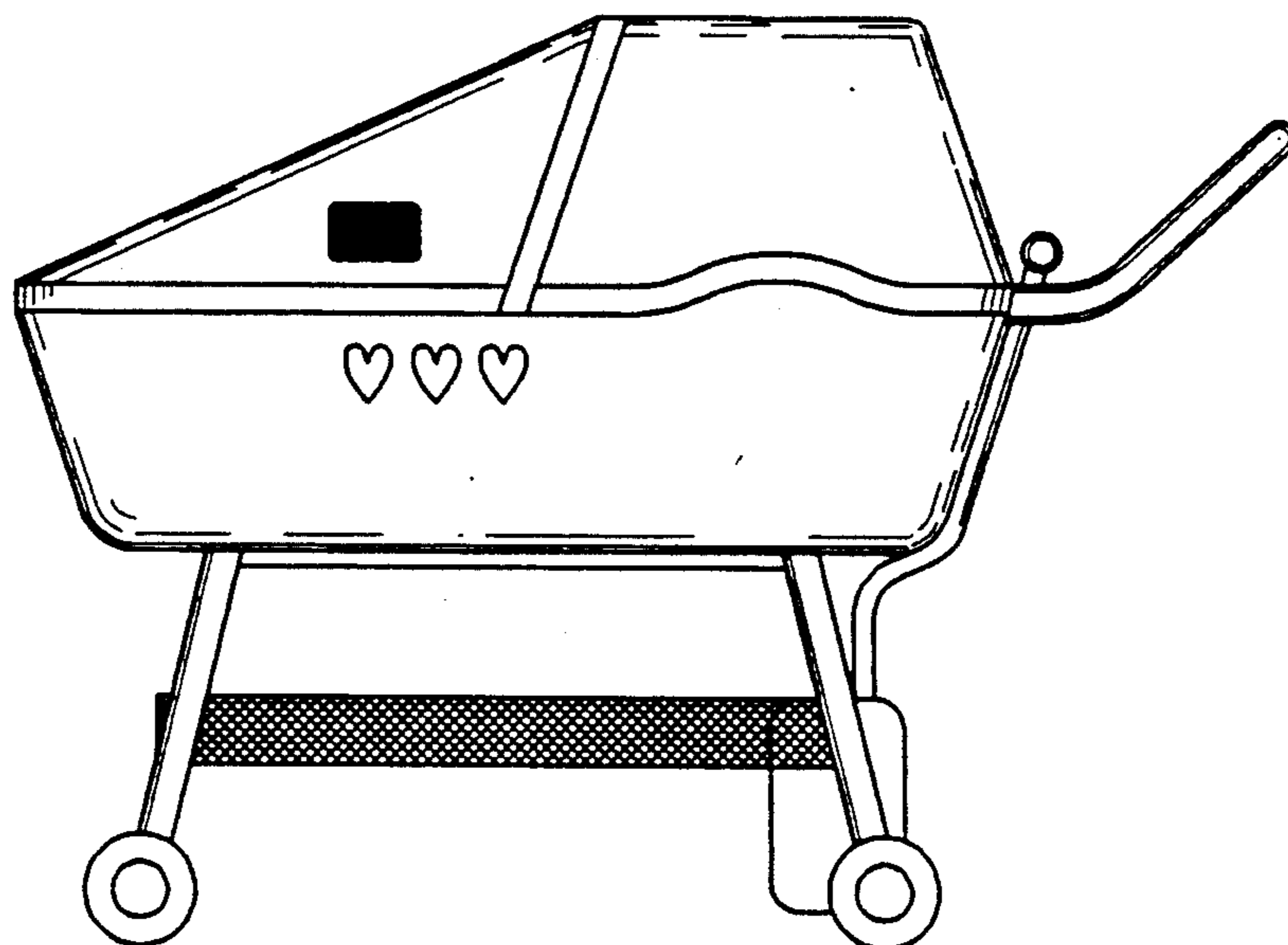


FIG. 5

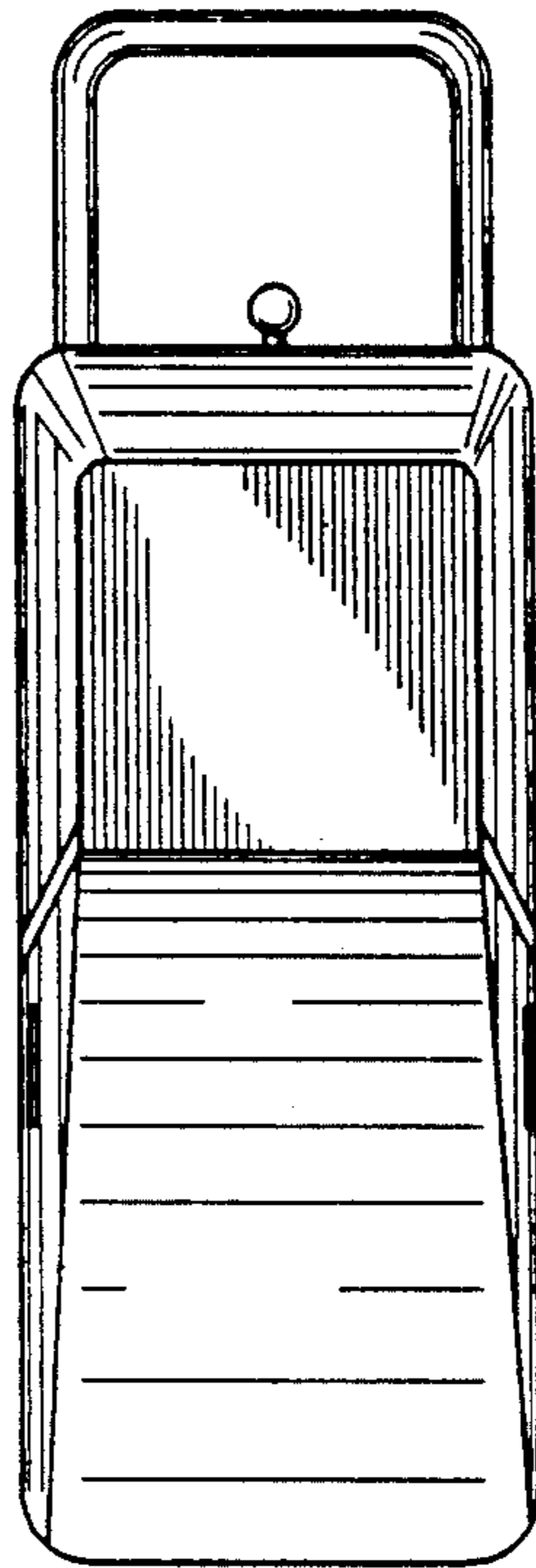


FIG. 6

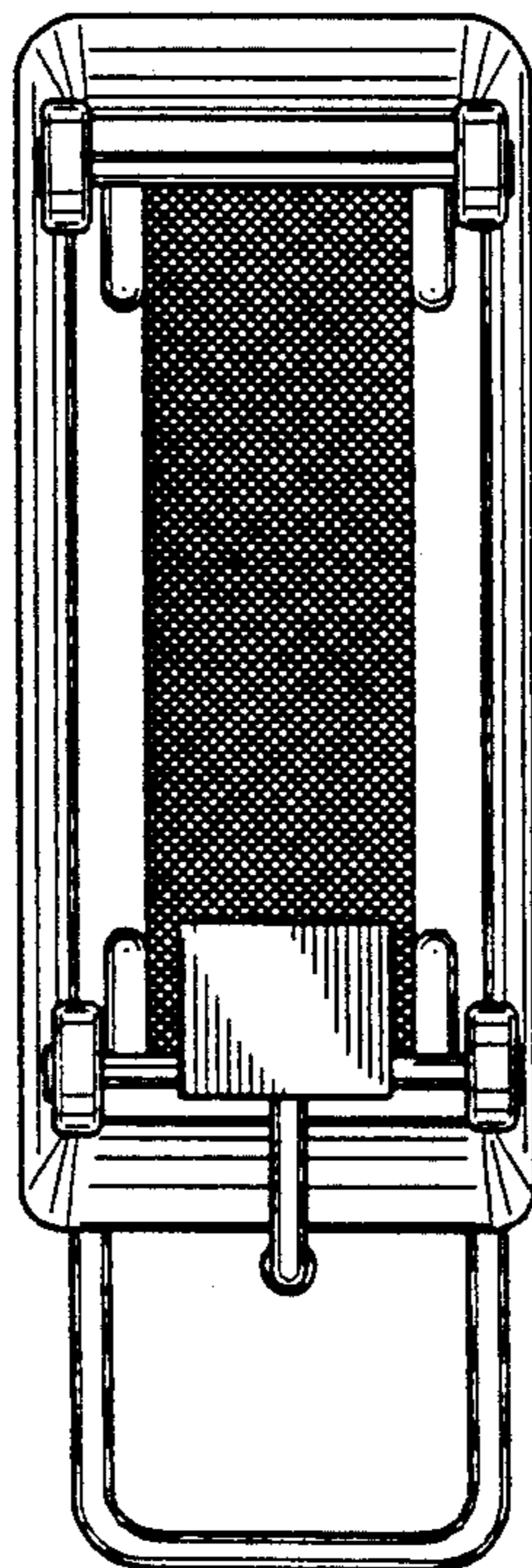


FIG. 7

