



US00D332067S

United States Patent [19]

[11] Patent Number: **Des. 332,067**

Fu

[45] Date of Patent: **** Dec. 29, 1992**

[54] **EMERGENCY WARNING SIGNAL**

3,934,541 1/1976 May et al. 116/63 T

[76] Inventor: **Yu-Ming Fu, 7 Fl., No. 348-4, Chang Chun Rd., Taipei, Taiwan**

Primary Examiner—Wallace R. Burke
Assistant Examiner—Marcus Jackson
Attorney, Agent, or Firm—Varndell Legal Group

[**] Term: **14 Years**

[57] **CLAIM**

[21] Appl. No.: **617,051**

The ornamental design for emergency warning signal, as shown and described.

[22] Filed: **Nov. 19, 1990**

[52] U.S. Cl. **D10/114**

[58] Field of Search D10/109, 111, 113, 114;
116/63 P, 63 T; 40/592, 593, 597, 606, 607, 610

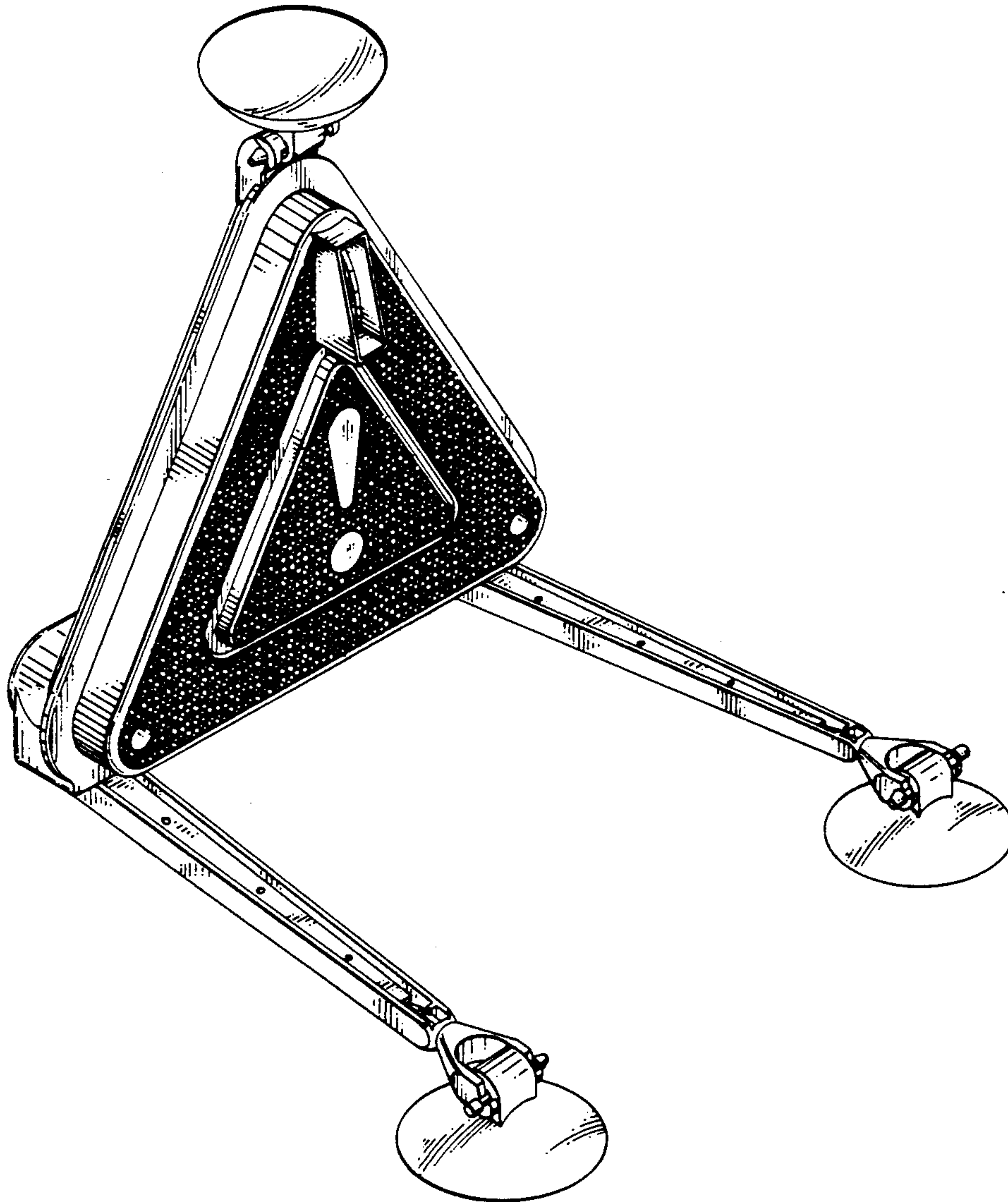
DESCRIPTION

[56] References Cited

U.S. PATENT DOCUMENTS

D. 196,158	8/1963	Romano	D10/109
D. 215,372	9/1969	Kahn	D10/114
D. 240,514	7/1976	Brudy	D10/111

FIG. 1 is a perspective view of an emergency warning signal showing my new design;
FIG. 2 is a front elevational thereof;
FIG. 3 is a top plan view thereof;
FIG. 4 is a rear elevational thereof;
FIG. 5 is a bottom plan view thereof;
FIG. 6 is a right side elevational thereof; and,
FIG. 7 is a left side elevational view thereof.



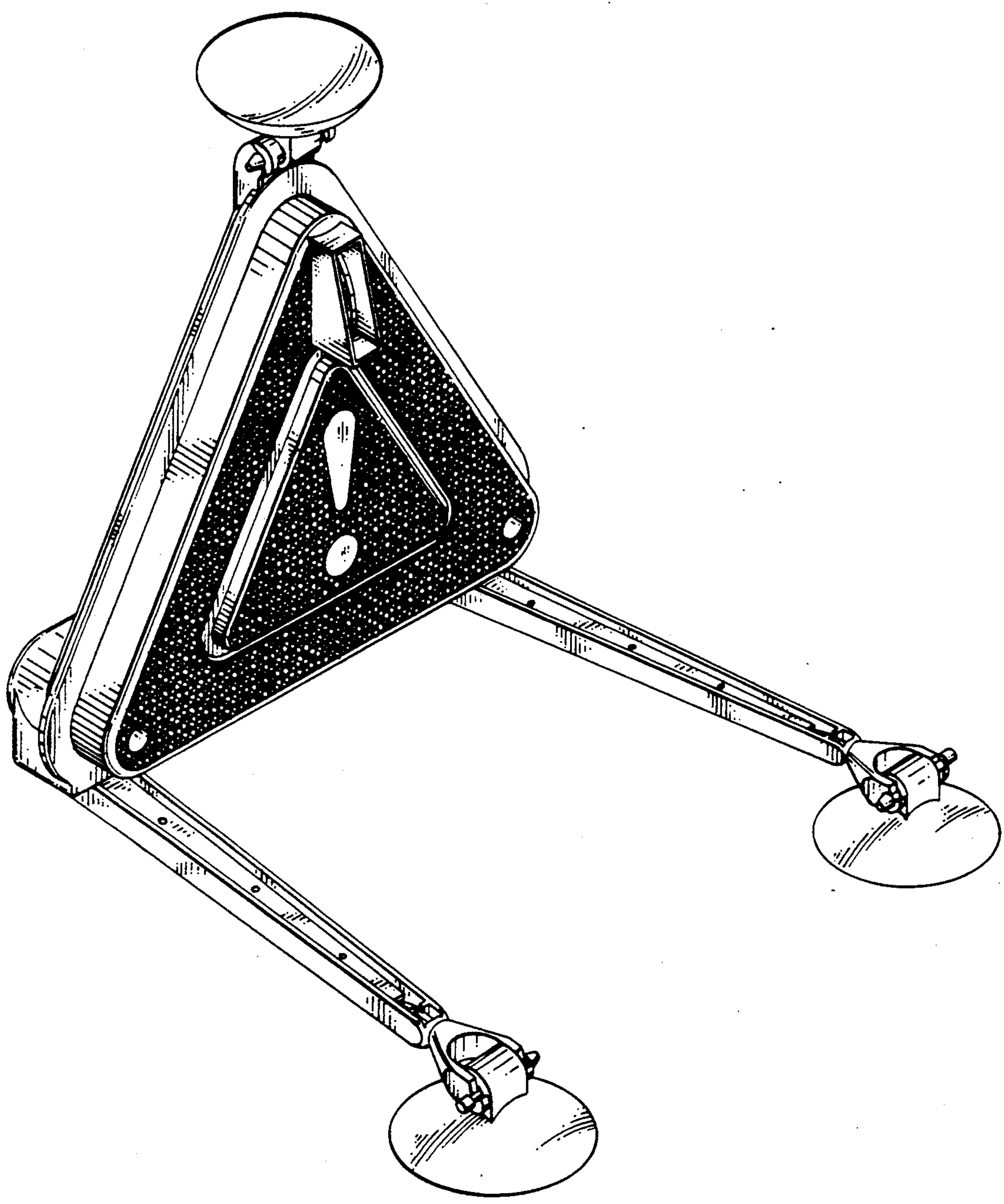


Fig . 1

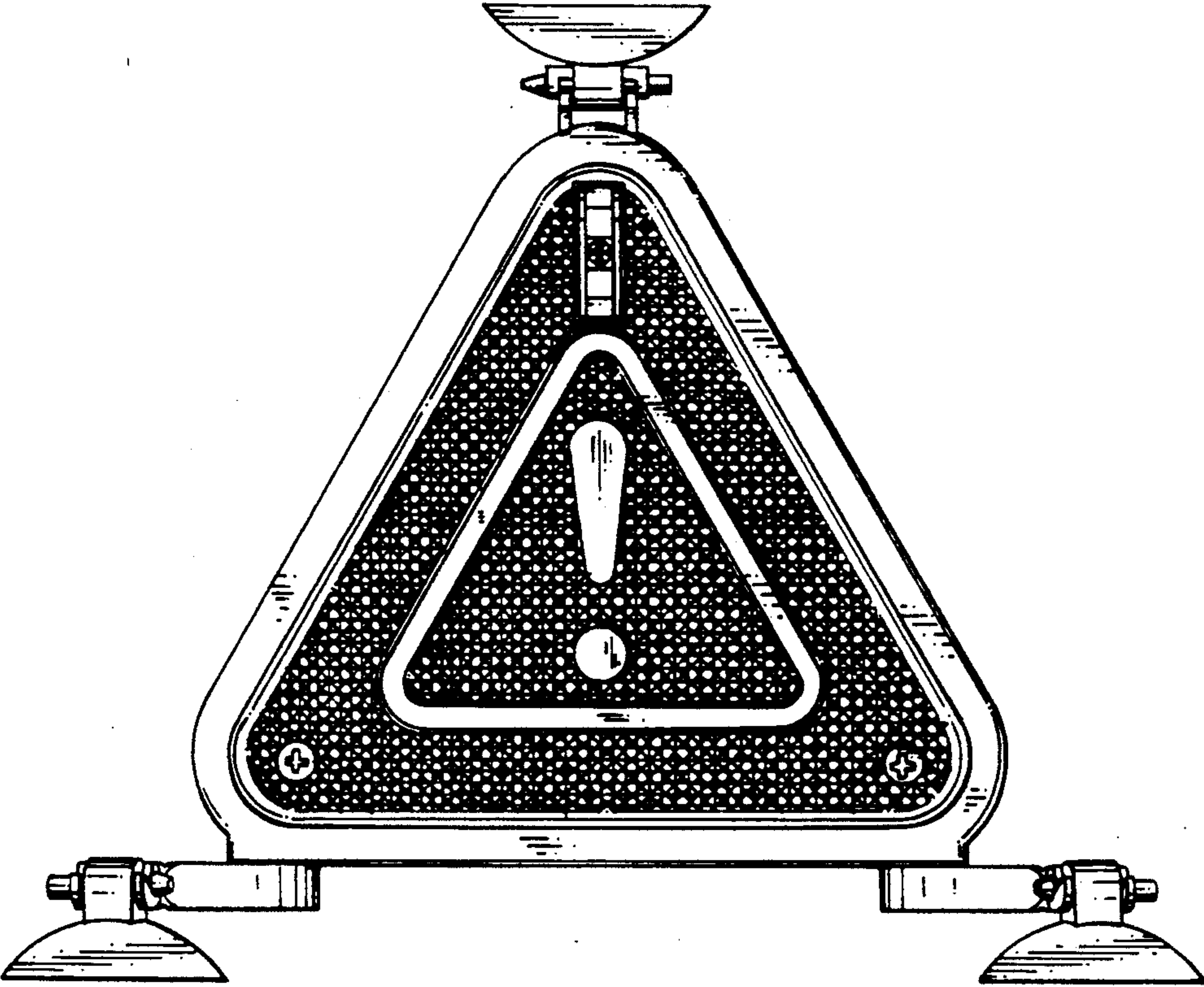


Fig . 2

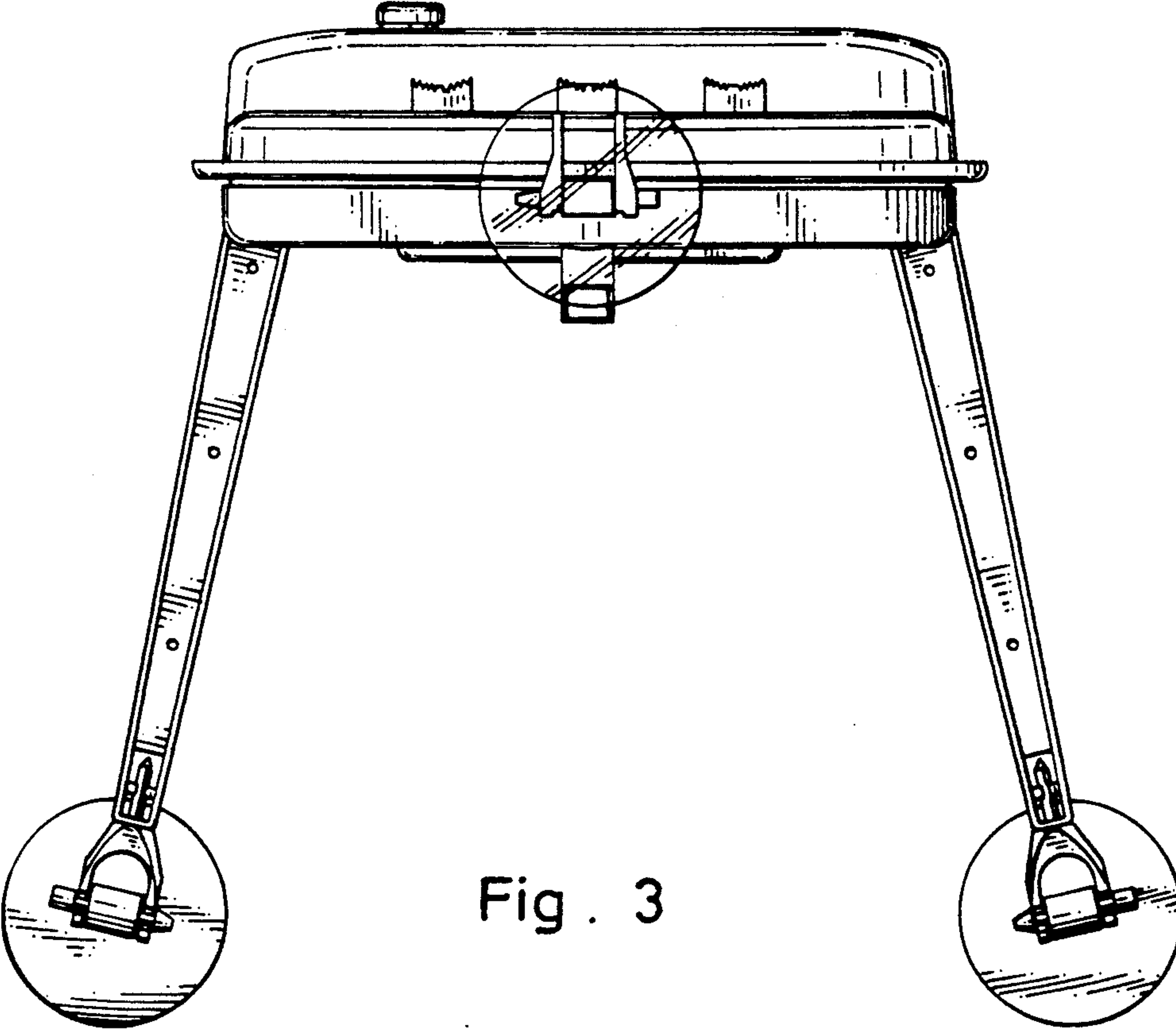


Fig . 3

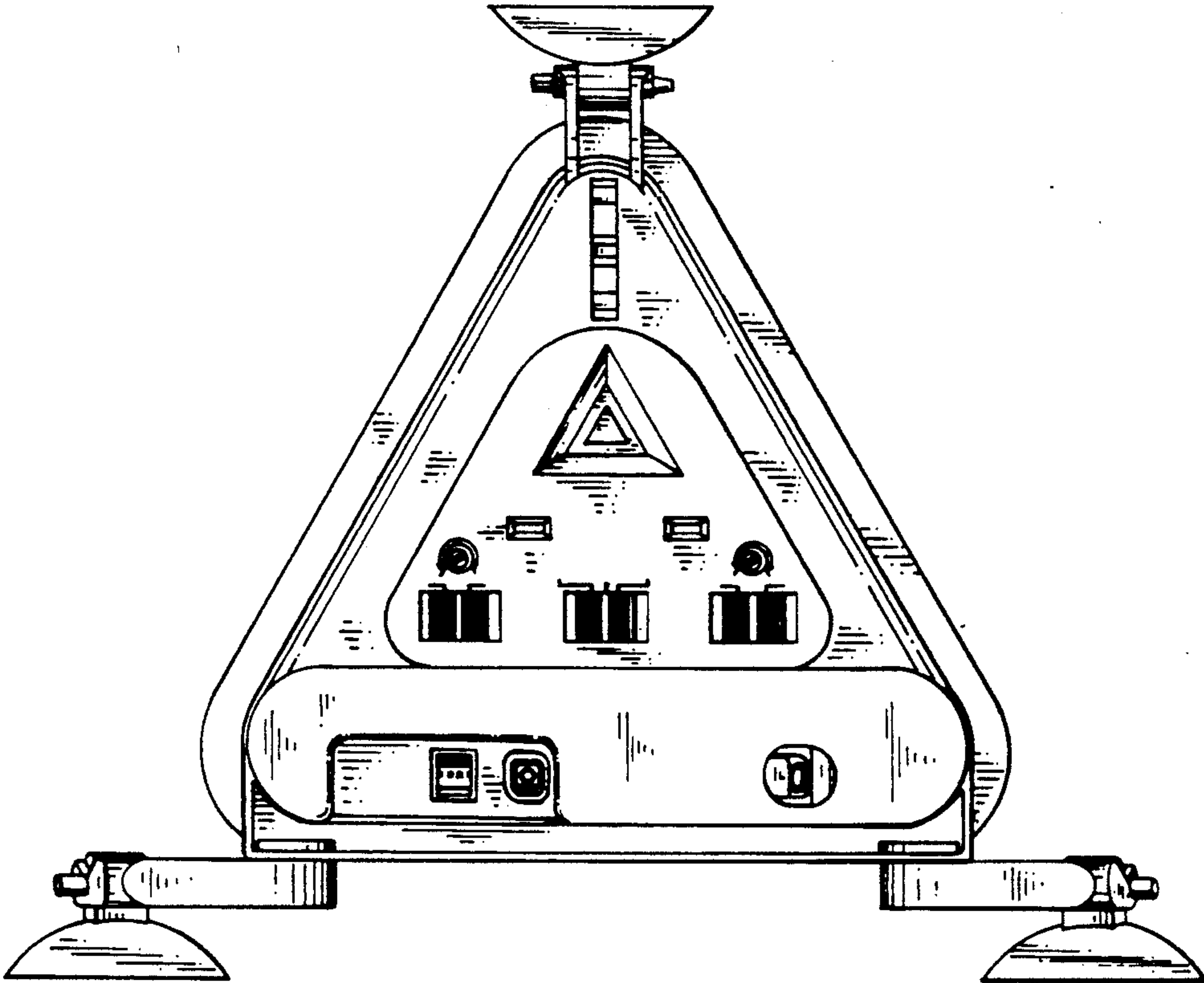


Fig. 4

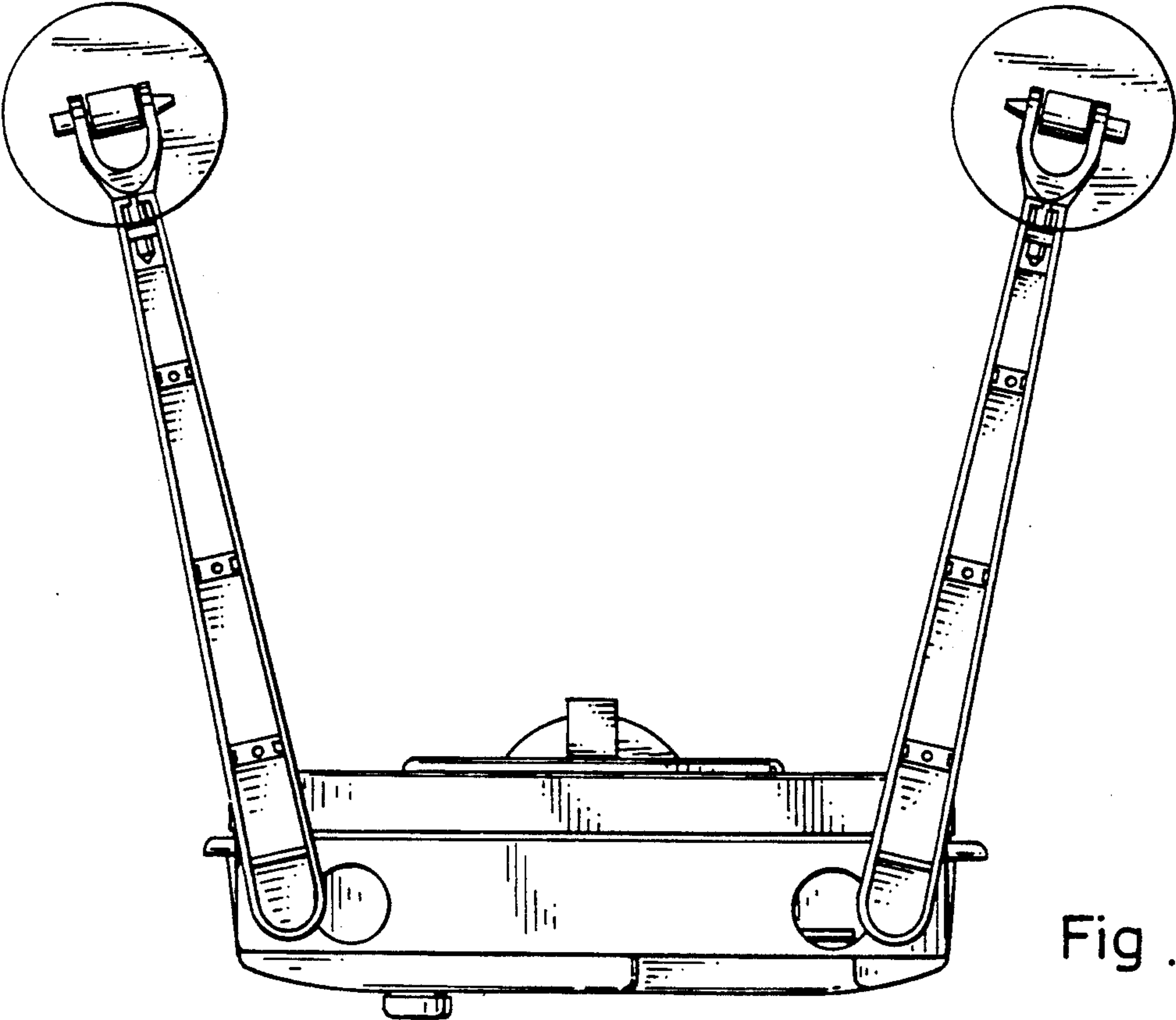


Fig. 5

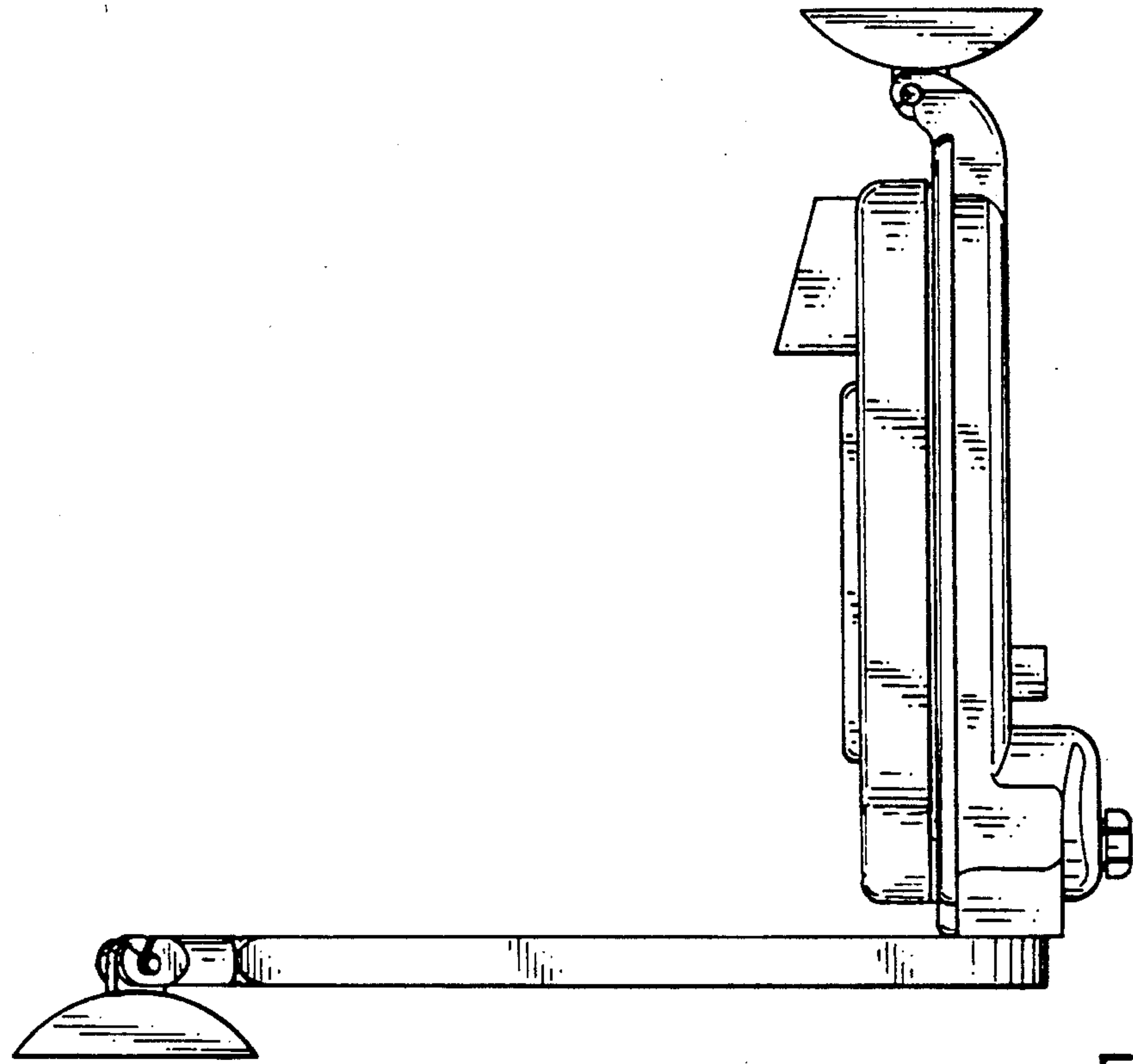


Fig. 6

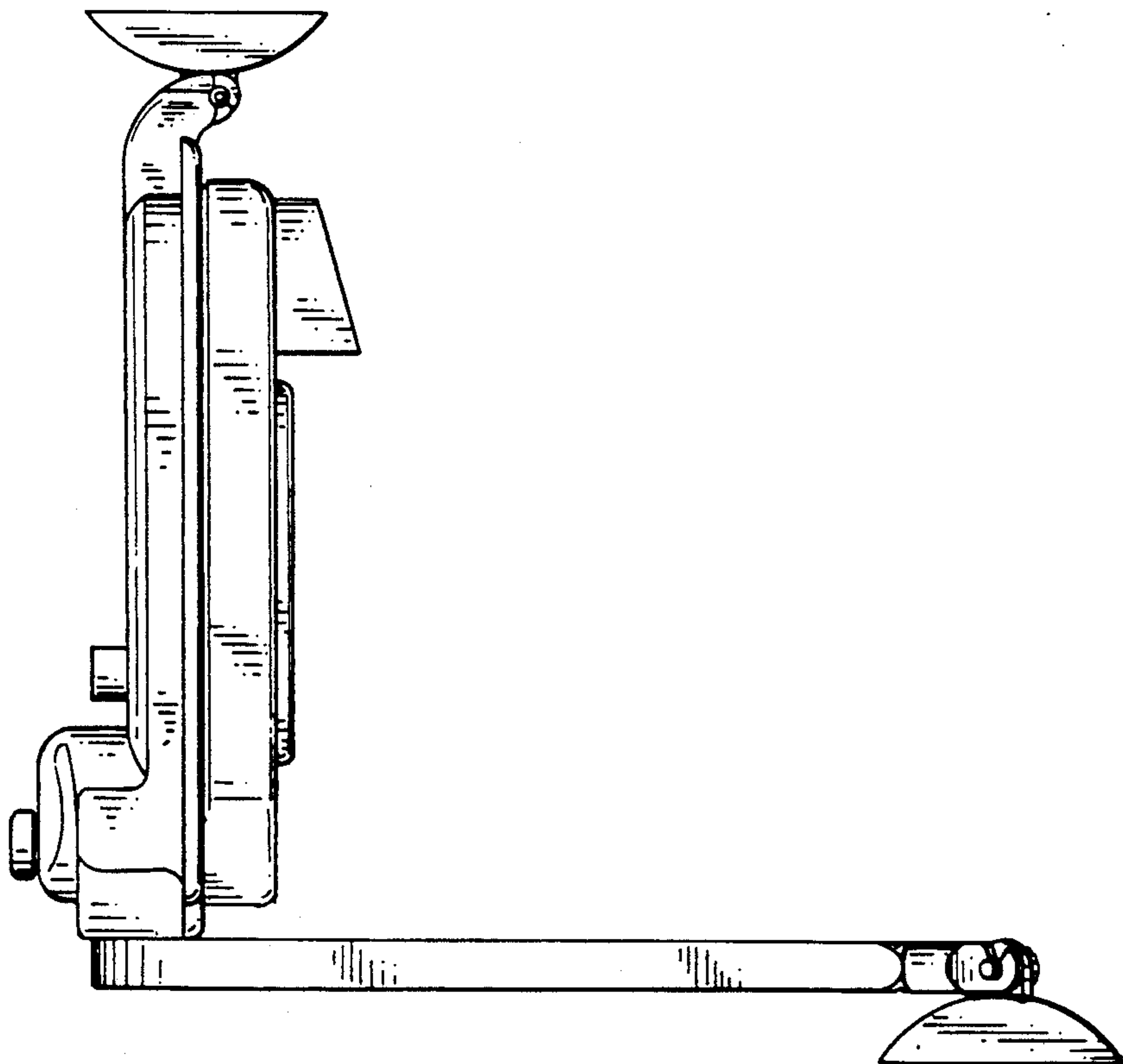


Fig. 7