



US00D332063S

United States Patent [19]

[11] Patent Number: **Des. 332,063**

Bellofatto et al.

[45] Date of Patent: **** Dec. 29, 1992**

[54] **PORTABLE PEAK FLOW METER**

4,944,306 7/1990 Alvino 128/725

[75] Inventors: **Steven Bellofatto, Closter; M. Zubair Mirza, Wyckoff, both of N.J.**

Primary Examiner—Nelson C. Holtje
Assistant Examiner—Antoine D. Davis
Attorney, Agent, or Firm—Schweitzer Cornman & Gross

[73] Assignee: **Healthscan Products, Inc., Cedar Grove, N.J.**

[**] Term: **14 Years**

[57] **CLAIM**

[21] Appl. No.: **733,410**

The ornamental design for a portable peak flow meter, as shown and described.

[22] Filed: **Jul. 22, 1991**

DESCRIPTION

[52] U.S. Cl. **D10/96; D10/83; D10/85**

[58] Field of Search **D10/46, 83, 85, 96; 73/202; 128/725, 727**

FIG. 1 is a top, front and right side perspective view of a portable peak flow meter showing our new design;

FIG. 2 is a bottom plan view;

FIG. 3 is a rear elevational view;

FIG. 4 is a top, front and right side perspective view, shown in an open condition; and,

FIG. 5 is a bottom plan view thereof.

FIG. 3 has been drawn on a slightly enlarged scale with respect to FIGS. 1, 2, 4 and 5 while FIG. 2 has been drawn on a slightly reduced scale with respect to FIGS. 1, 3-5.

[56] **References Cited**

U.S. PATENT DOCUMENTS

2,292,474	8/1942	Paxton	128/716
3,367,324	2/1968	De Bono	D24/164 X
4,693,256	9/1987	Talonn	128/725
4,878,502	11/1989	Dietz	128/725

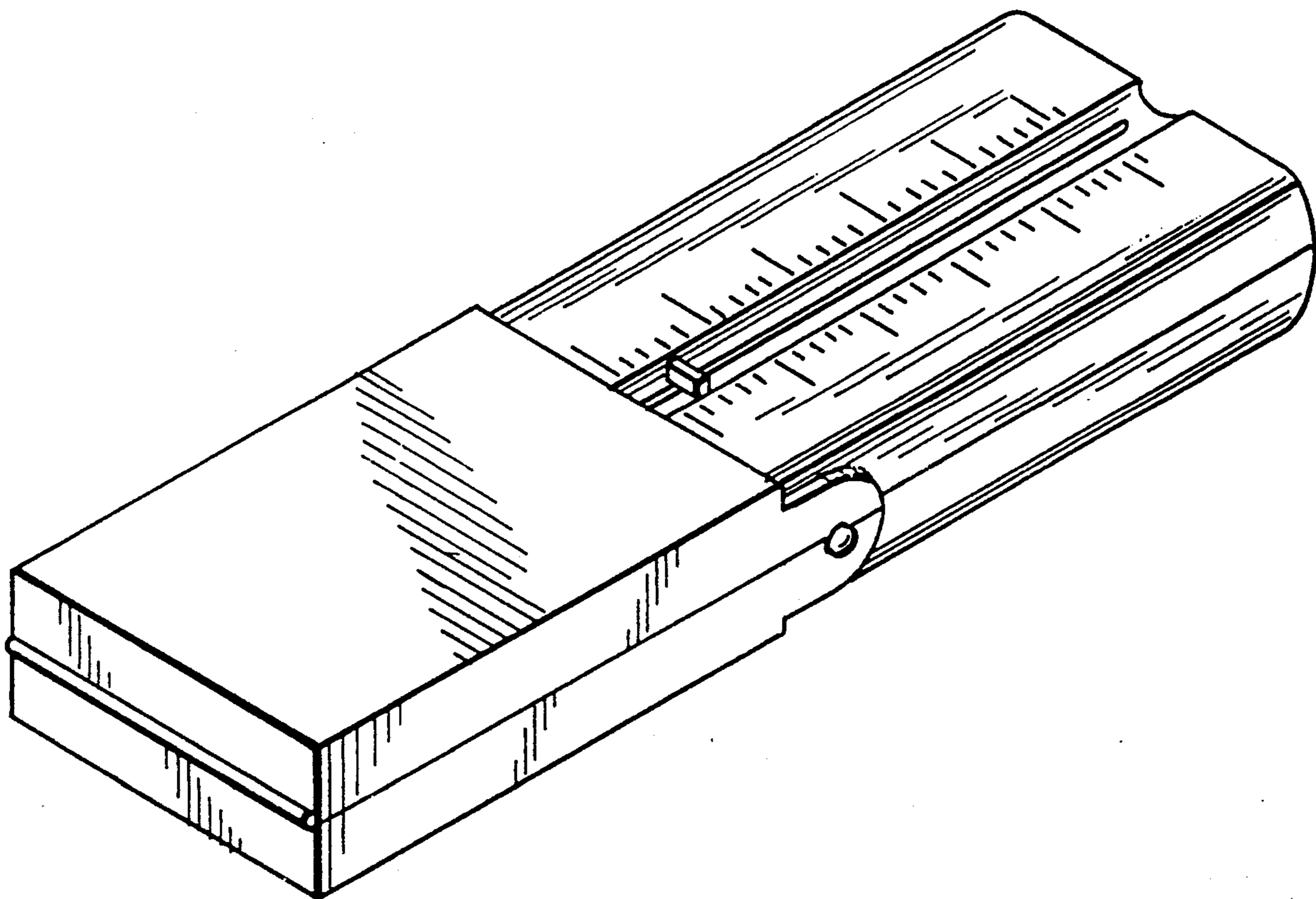


FIG. 1

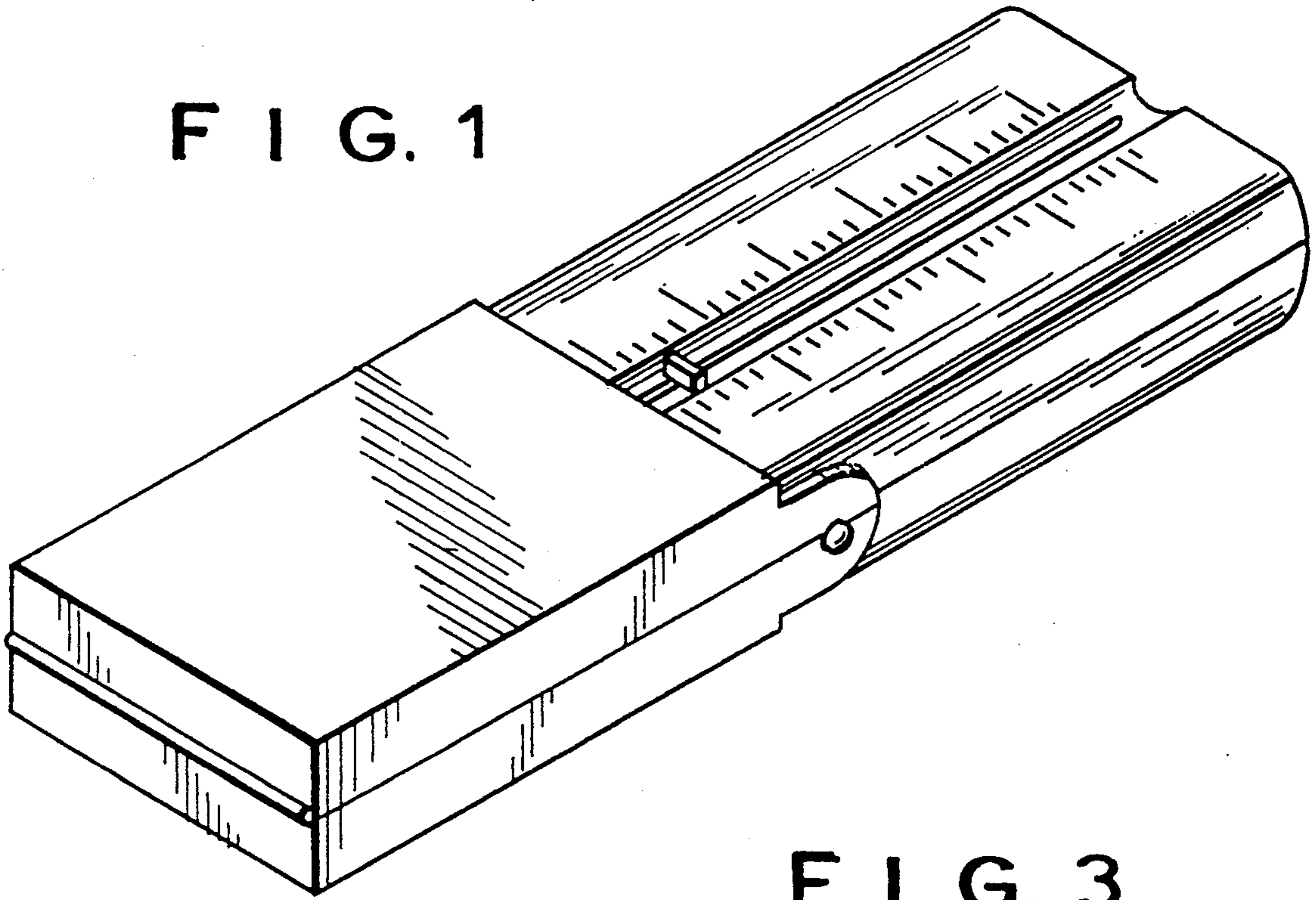


FIG. 3

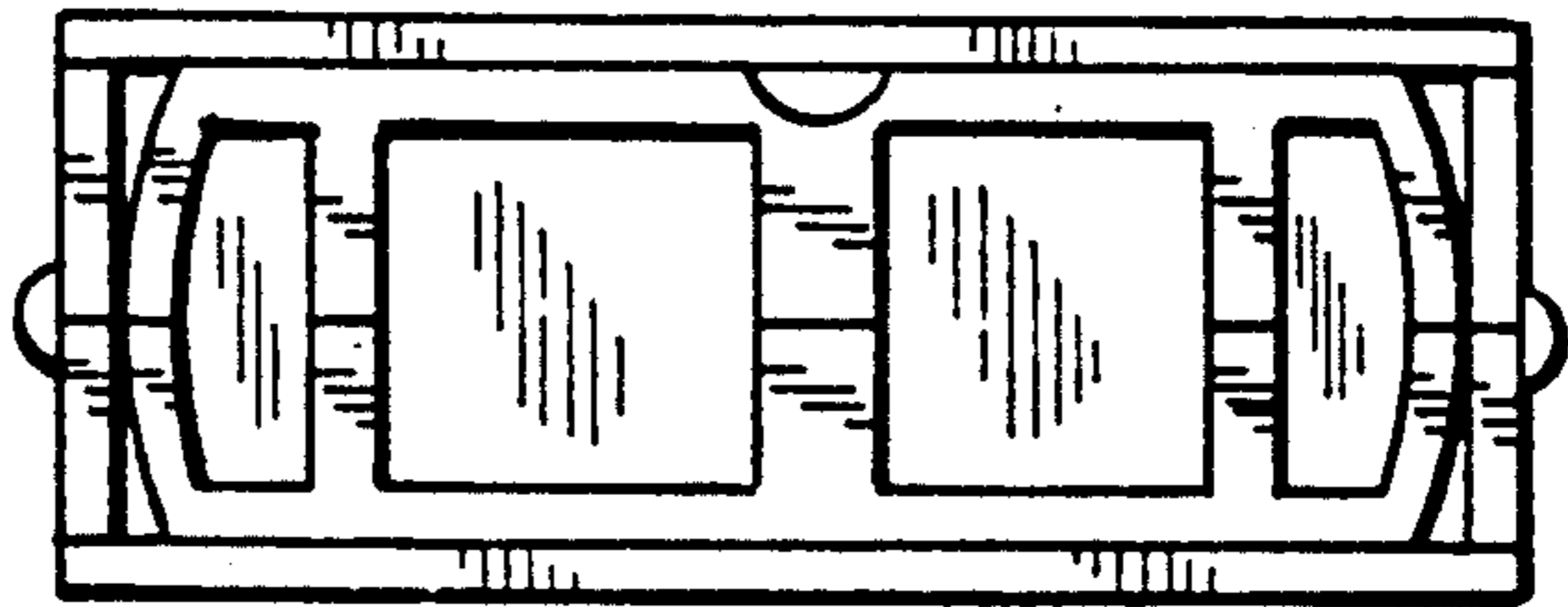
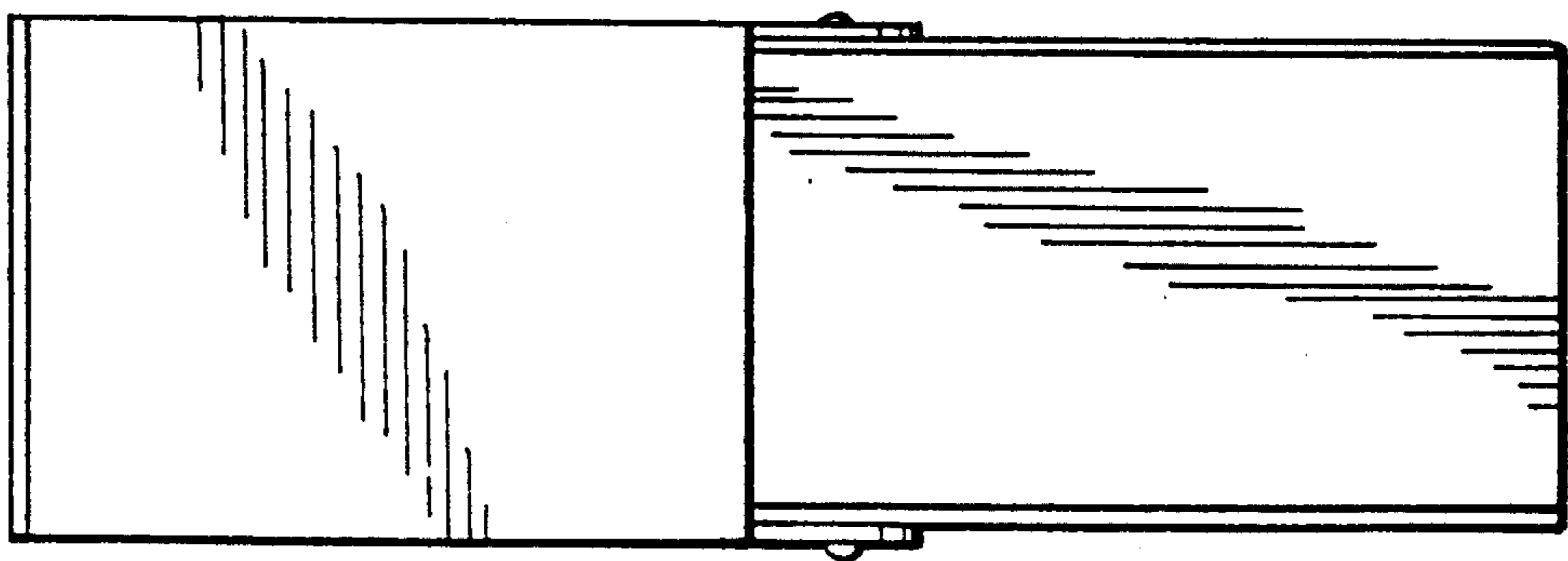
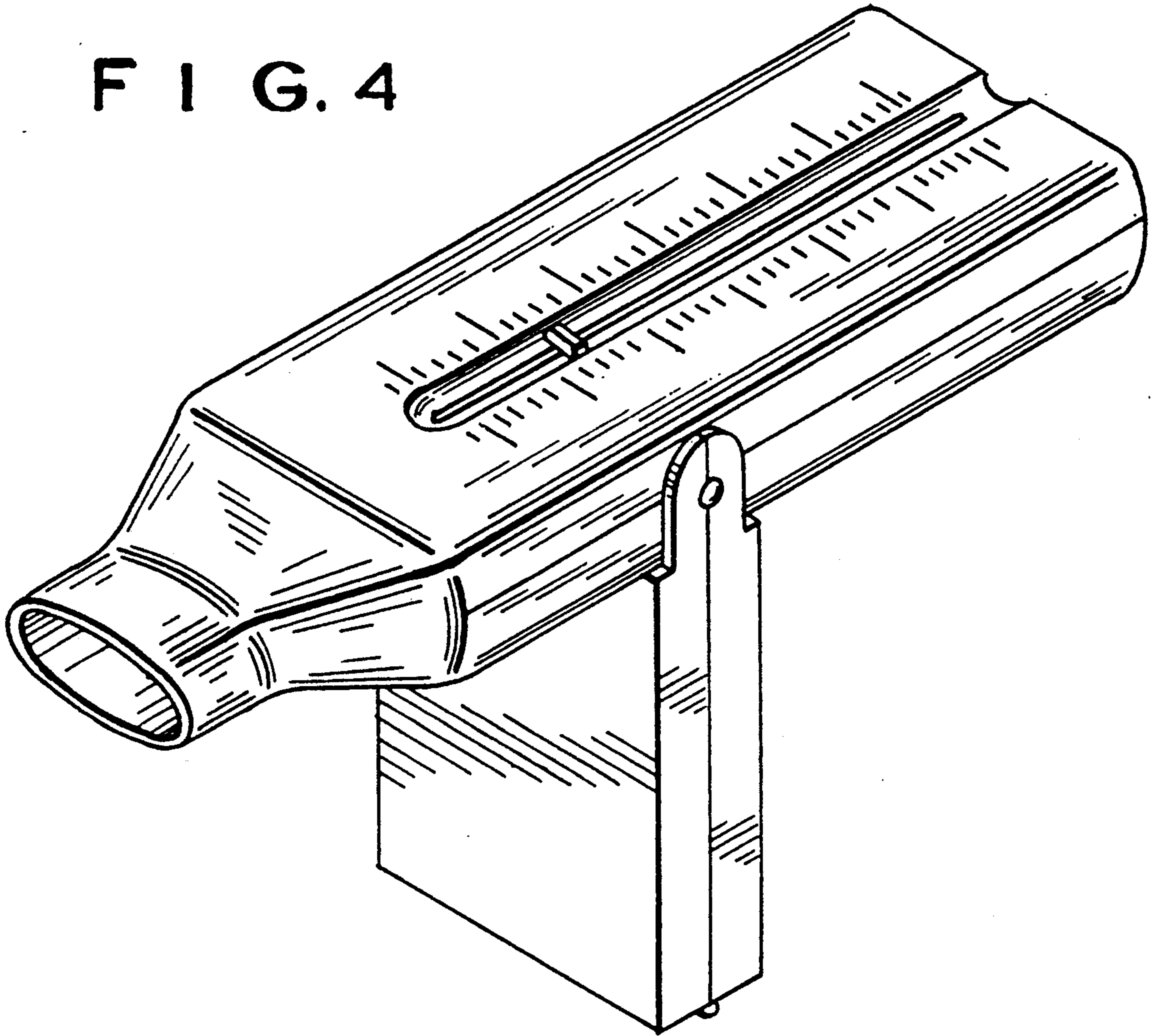


FIG. 2



F I G . 4



F I G . 5

