



US00D332059S

United States Patent [19]

[11] Patent Number: Des. 332,059

Kling, III et al.

[45] Date of Patent: ** Dec. 29, 1992

[54] PORTABLE WHEEL ALIGNMENT INSTRUMENT

[75] Inventors: Michael J. Kling, III, Mequon; Michael P. Alusick, Hartland; Gary Kercheck, Colgate; Daniel A. Matré, Wauwatosa; Gary L. Friederichs, Cedarburg; Jeff Krueger, Milwaukee; Duane M. Schmitz, Shorewood; James L. Visser, New Berlin; Mark W. Geis; Terrence K. Mahon, both of Milwaukee, all of Wis.

[73] Assignee: Bear Automotive Service Equipment Company, New Berlin, Wis.

[**] Term: 14 Years

[21] Appl. No.: 751,252

[22] Filed: Aug. 29, 1991

[52] U.S. Cl. D10/78; D10/61

[58] Field of Search D10/46, 61, 78, 80; 33/288; 73/117.3, 463; 364/156, 431.1, 551.01, 571.02; 324/379

[56] References Cited

U.S. PATENT DOCUMENTS

D. 187,108	1/1960	Schladermundt et al.	D10/78 X
D. 258,810	4/1981	Beising	D10/78 X
5,107,429	4/1992	Bethencourt et al.	364/551.01 X
5,118,185	6/1992	Courten	33/288 X

Primary Examiner—Alan P. Douglas
Assistant Examiner—Antoine D. Davis
Attorney, Agent, or Firm—Kinney & Lange

[57] CLAIM

The ornamental design for a portable wheel alignment instrument, as shown.

DESCRIPTION

FIG. 1 is a top, front and right side perspective view of a portable wheel alignment instrument showing our new design;
FIG. 2 is a front elevational view;
FIG. 3 is a rear elevational view;
FIG. 4 is a top plan view;
FIG. 5 is a bottom plan view;
FIG. 6 is a right side elevational view; and,
FIG. 7 is a left side elevational view thereof.
FIG. 1 has been drawn on a slightly enlarged scale with respect to FIGS. 2-7.

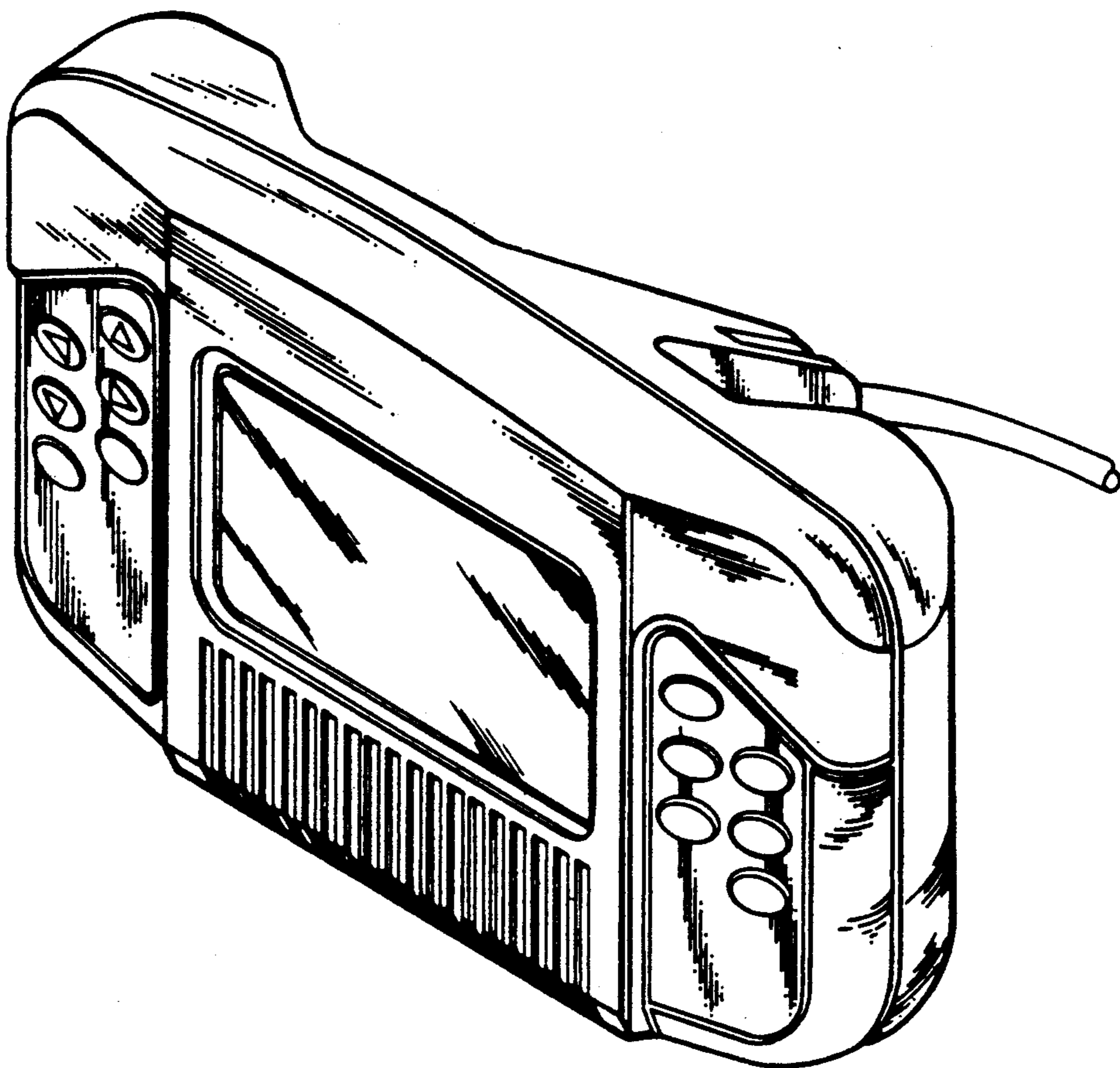


FIG. 1

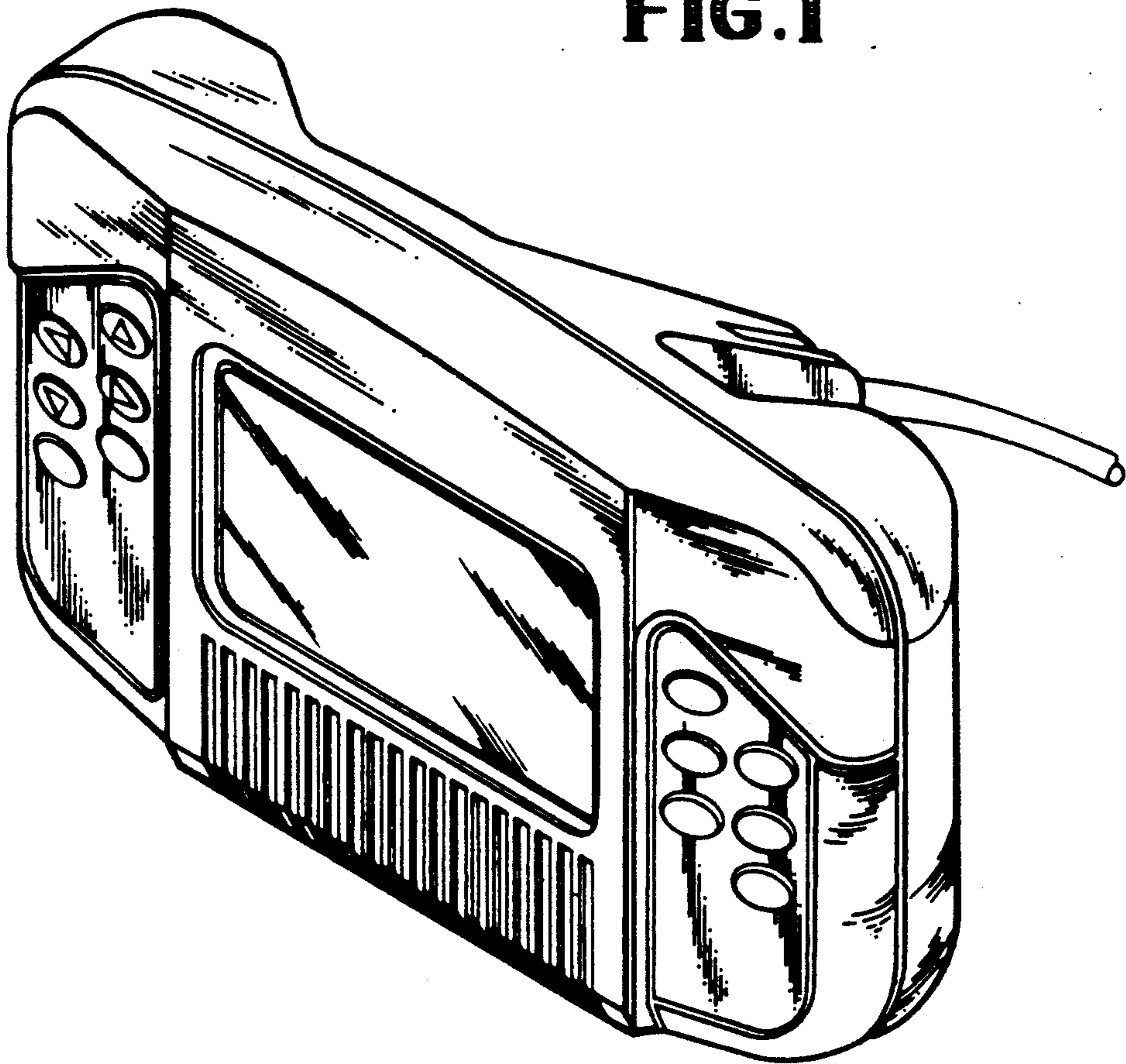


FIG. 2

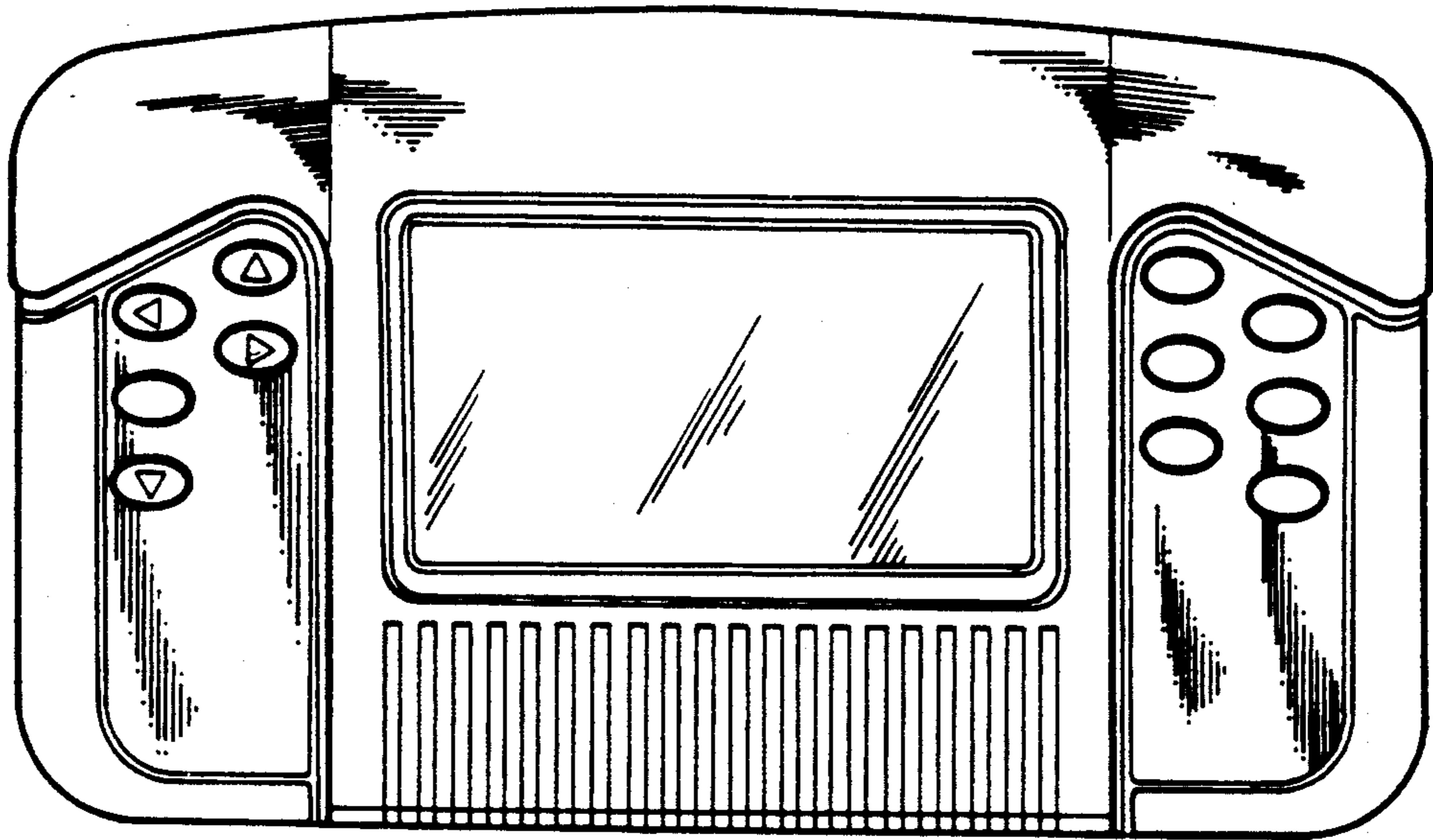
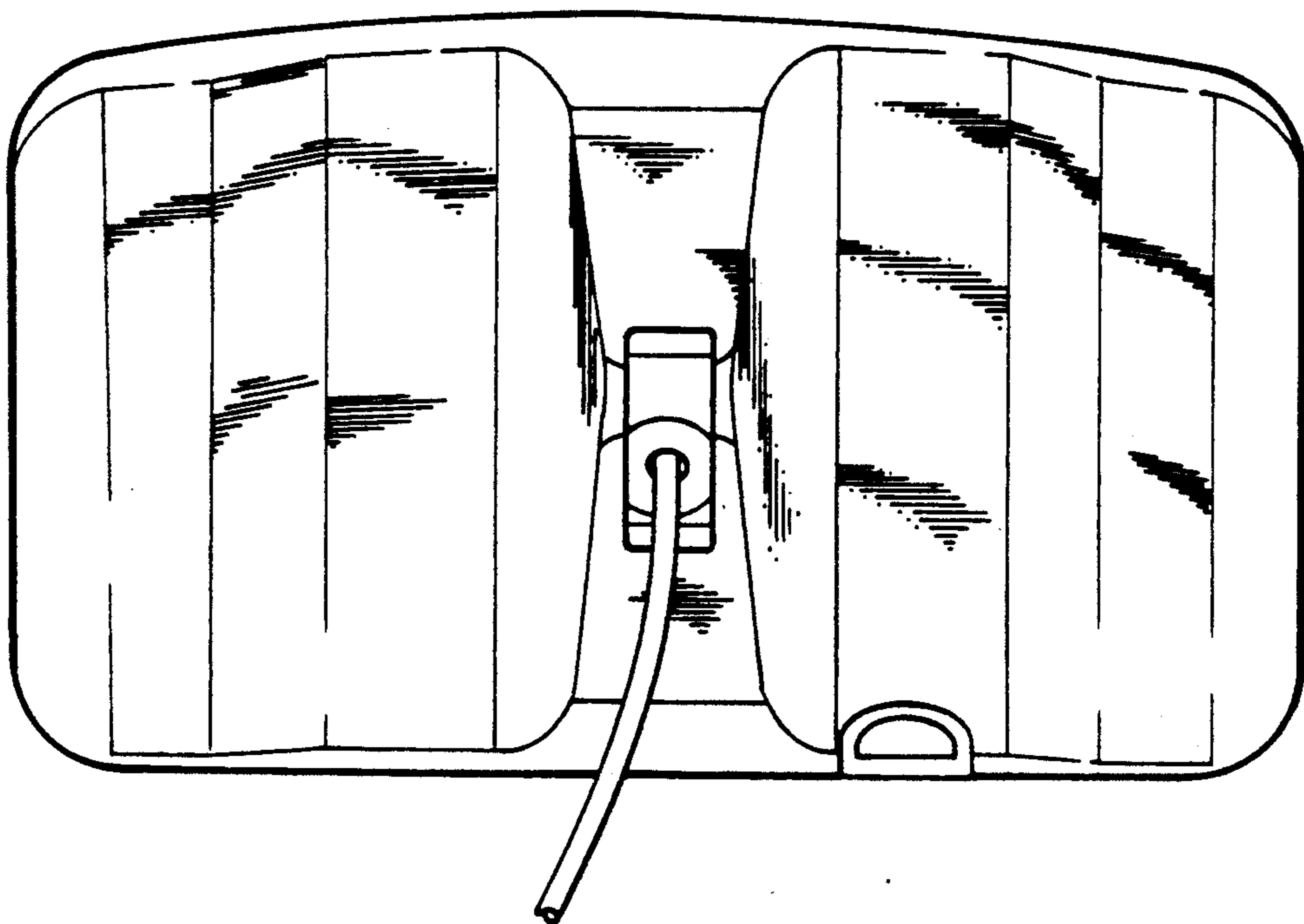


FIG. 3



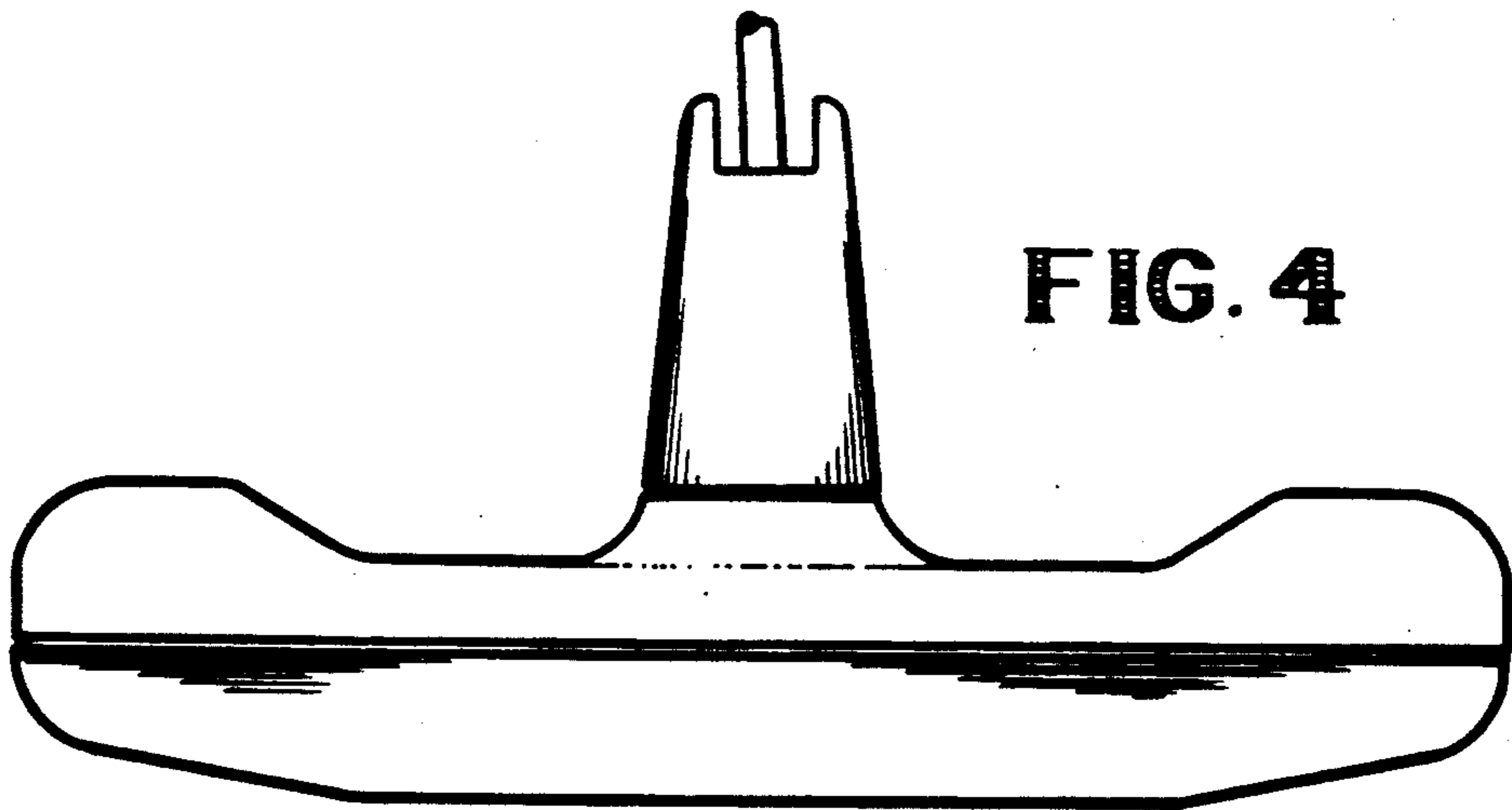


FIG. 4

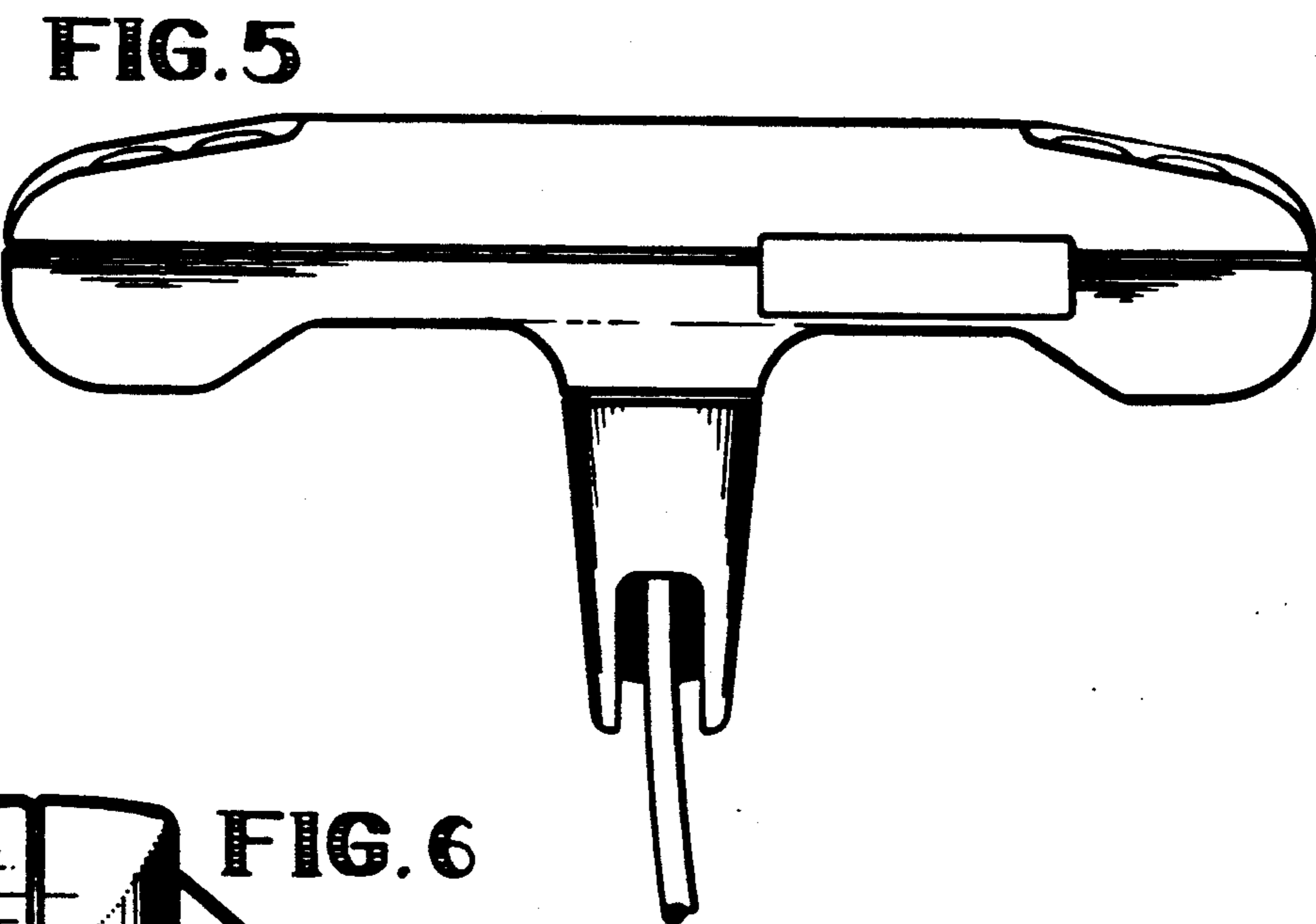


FIG. 5

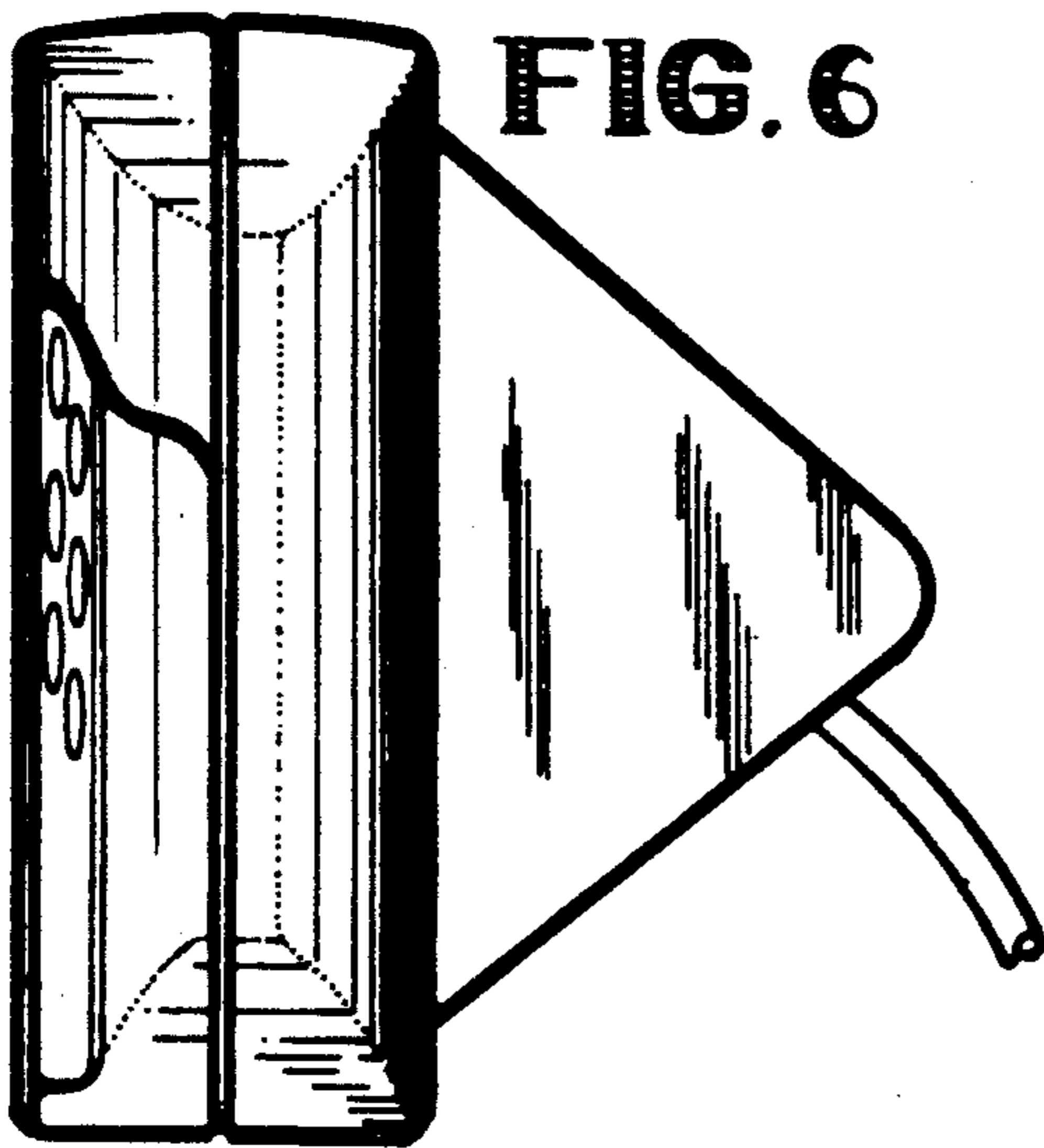


FIG. 6

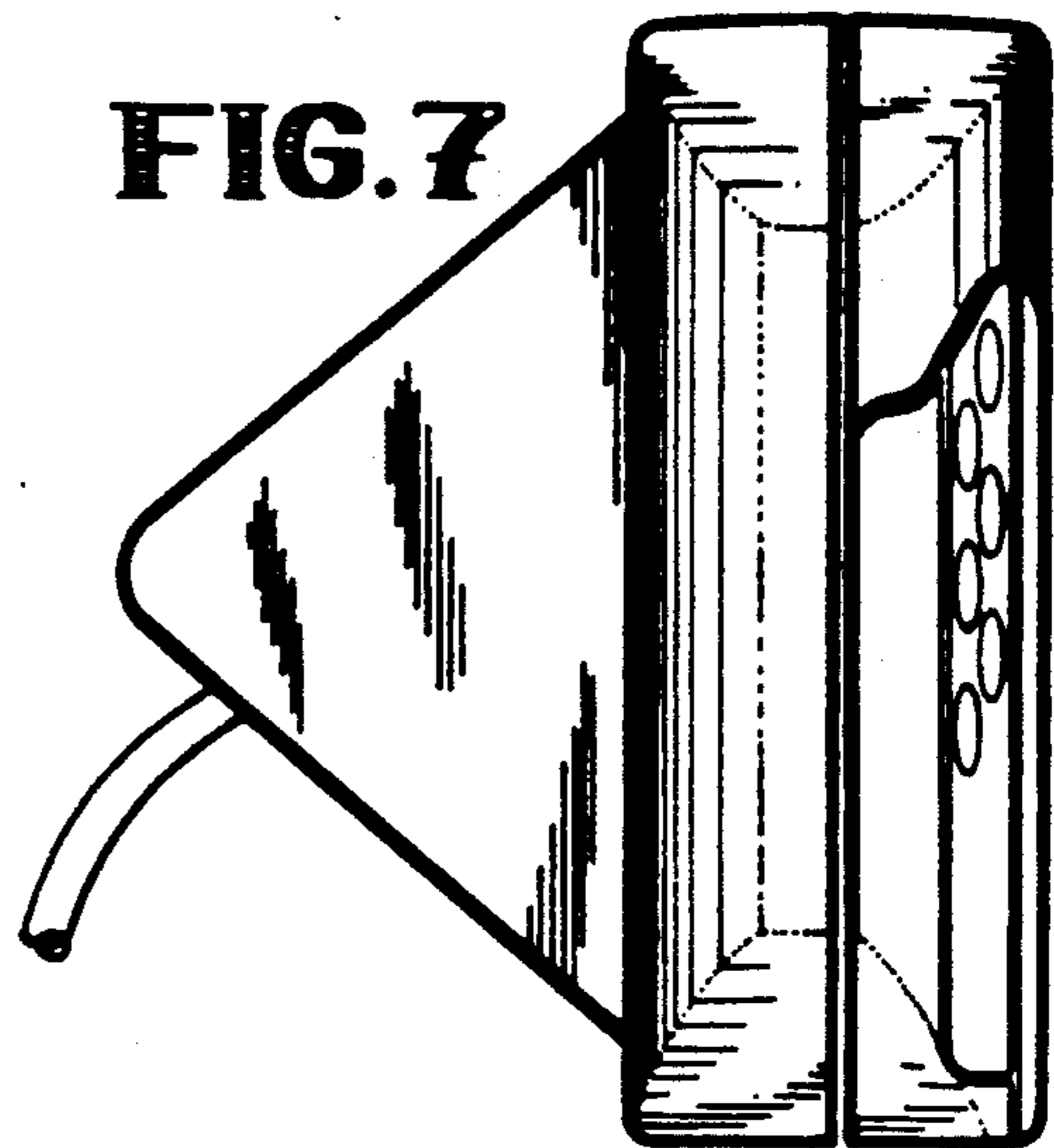


FIG. 7

UNITED STATES PATENT AND TRADEMARK OFFICE
CERTIFICATE OF CORRECTION

PATENT NO. : Des. 332,059

DATED : December 29, 1992

TERRANCE K. MAHON

INVENTOR(S) : MICHAEL J. KLING III, MICHAEL P. ALUSICK, GARY KERCHECK

DANIEL A. MATRE, GARY L. FRIEDERICHS, JEFF KRUEGER

DUANE M. SCHMITZ, JAMES L. VISSER, MARK W. GEIS

It is certified that error appears in the above-identified patent and that said Letters Patent is hereby corrected as shown below:

On the title page, in the [56] References Cited Section, under
U.S. PATENT DOCUMENTS, delete 5,107,429, insert 5,107,428

Signed and Sealed this

Nineteenth Day of October, 1993

Attest:



BRUCE LEHMAN

Attesting Officer

Commissioner of Patents and Trademarks