



US00D332058S

United States Patent [19] Gruetzmacher

[11] Patent Number: Des. 332,058

[45] Date of Patent: ** Dec. 29, 1992

[54] POST LEVEL

3,820,249 6/1974 Stone 33/347
4,976,040 12/1990 Mish et al. 33/372

[75] Inventor: Richard J. Gruetzmacher,
Menomonee Falls, Wis.

FOREIGN PATENT DOCUMENTS

[73] Assignee: Johnson Level & Tool Mfg. Co., Inc.,
Mequon, Wis.

417982 2/1967 France 33/373
1563105 2/1968 France 33/347

[**] Term: 14 Years

Primary Examiner—Alan P. Douglas
Assistant Examiner—Autoine D. Davis
Attorney, Agent, or Firm—Andrus, Scales, Starke &
Sawall

[21] Appl. No.: 795,073

[22] Filed: Nov. 19, 1991

[52] U.S. Cl. D10/69

[58] Field of Search D10/60, 62, 69; 33/347,
33/365-390

[57] CLAIM

The ornamental design for a post level, as shown and described.

[56] References Cited

U.S. PATENT DOCUMENTS

D. 253,581	12/1979	Vander Werf	D10/69
D. 257,330	10/1980	Vander Werf	D10/69
D. 261,626	11/1981	Vander Werf	D10/69
D. 288,539	3/1987	Vander Werf	D10/69
D. 288,540	3/1987	Vander Werf	D10/69
D. 288,541	3/1987	Vander Werf	D10/69
D. 289,266	4/1987	Vander Werf	D10/69

DESCRIPTION

FIG. 1 is a top, front and left side perspective view of a post level showing my new design; FIG. 2 is a front elevational view; FIG. 3 is a left side elevational view; FIG. 4 is a right side elevational view; FIG. 5 is a rear elevational view; FIG. 6 is a bottom plan view; and, FIG. 7 is a top plan view thereof.

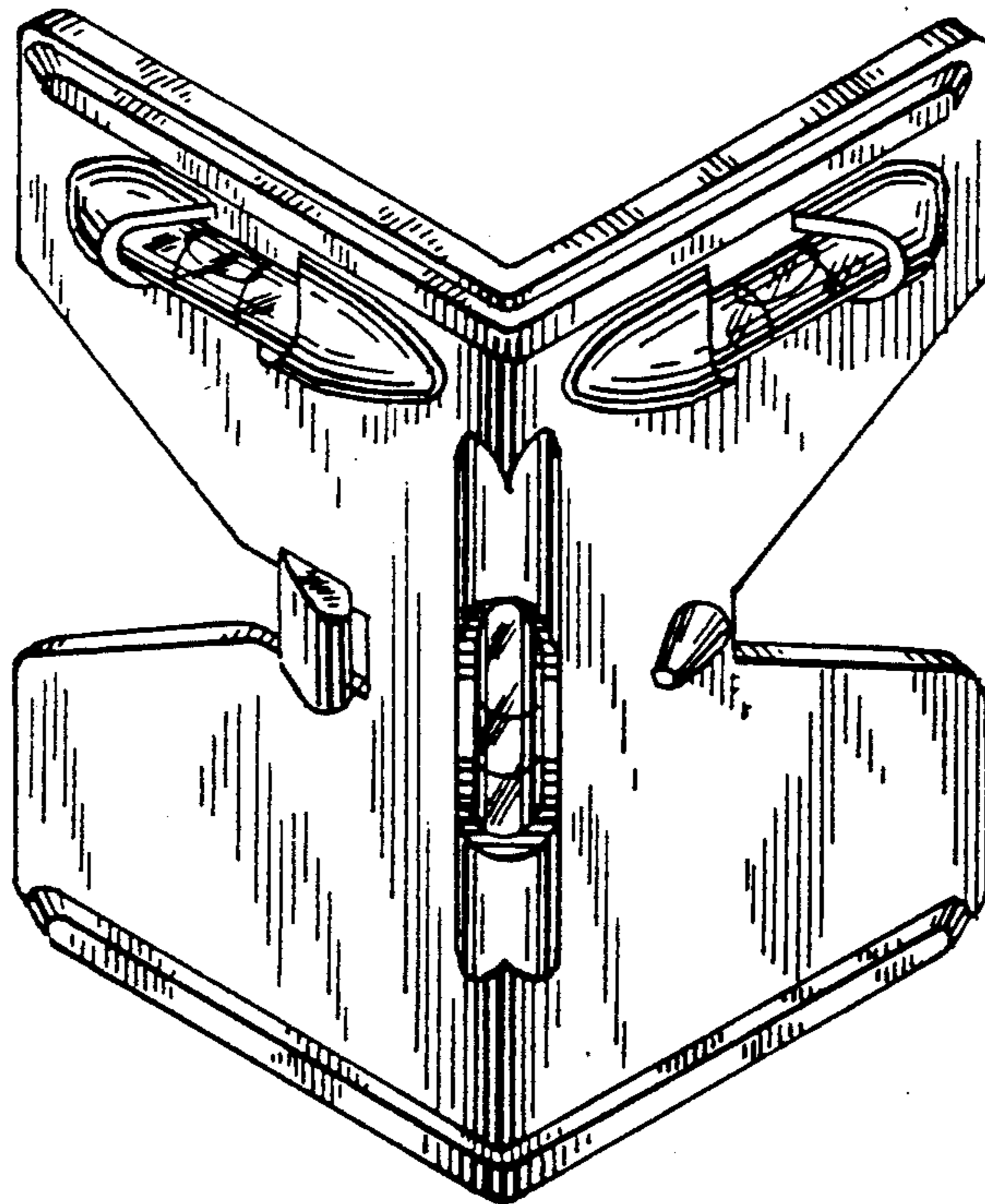


FIG. 1

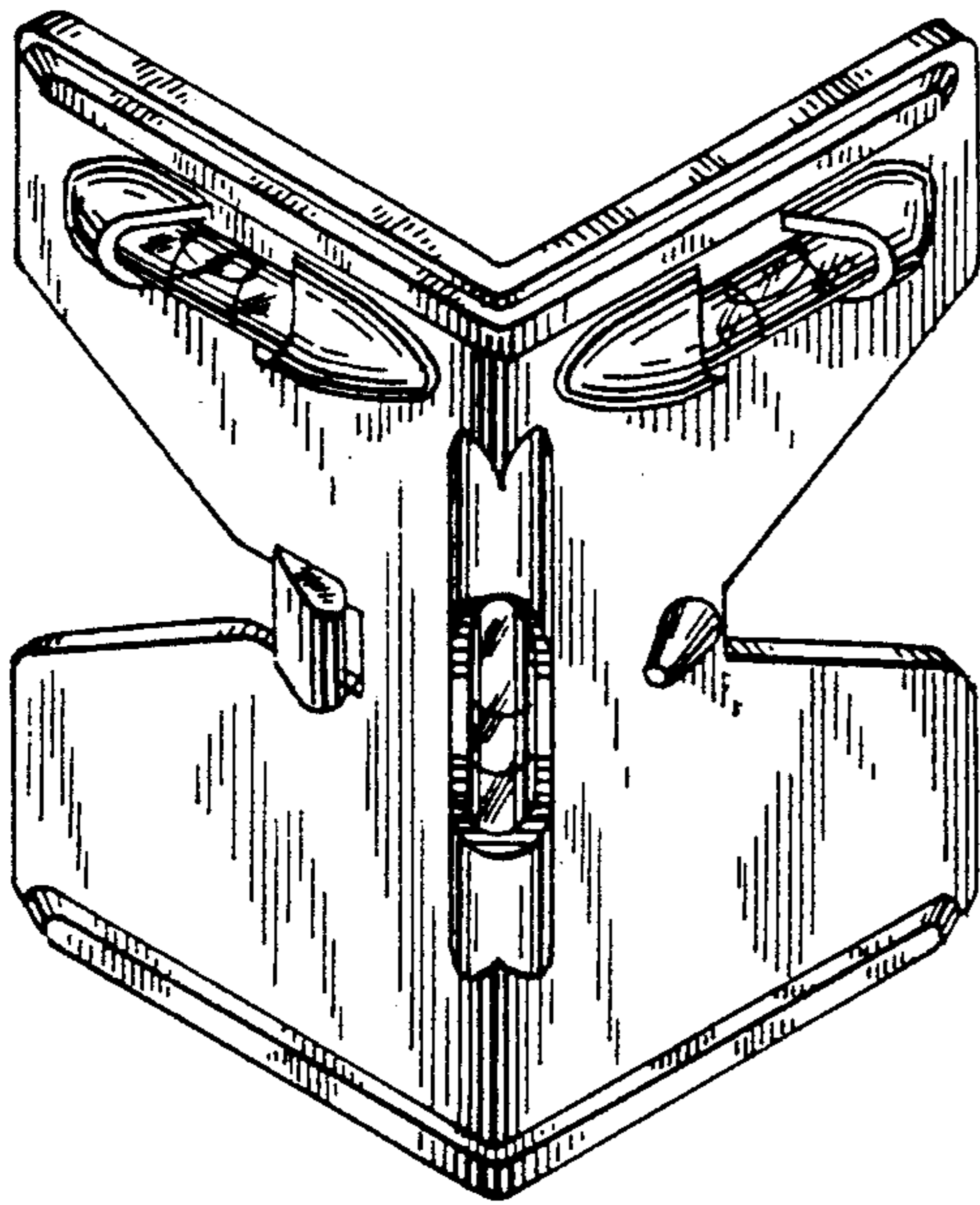


FIG. 2

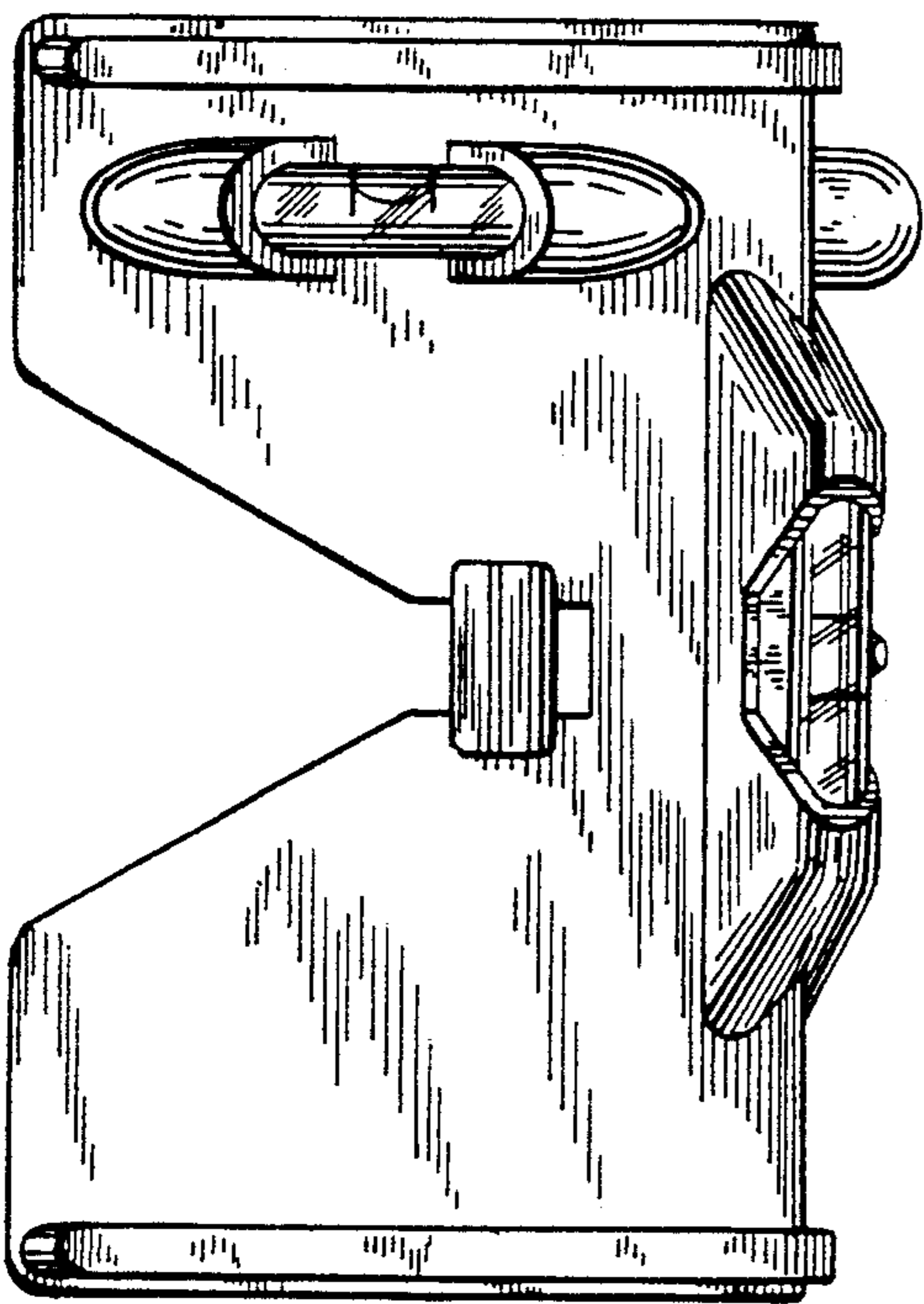
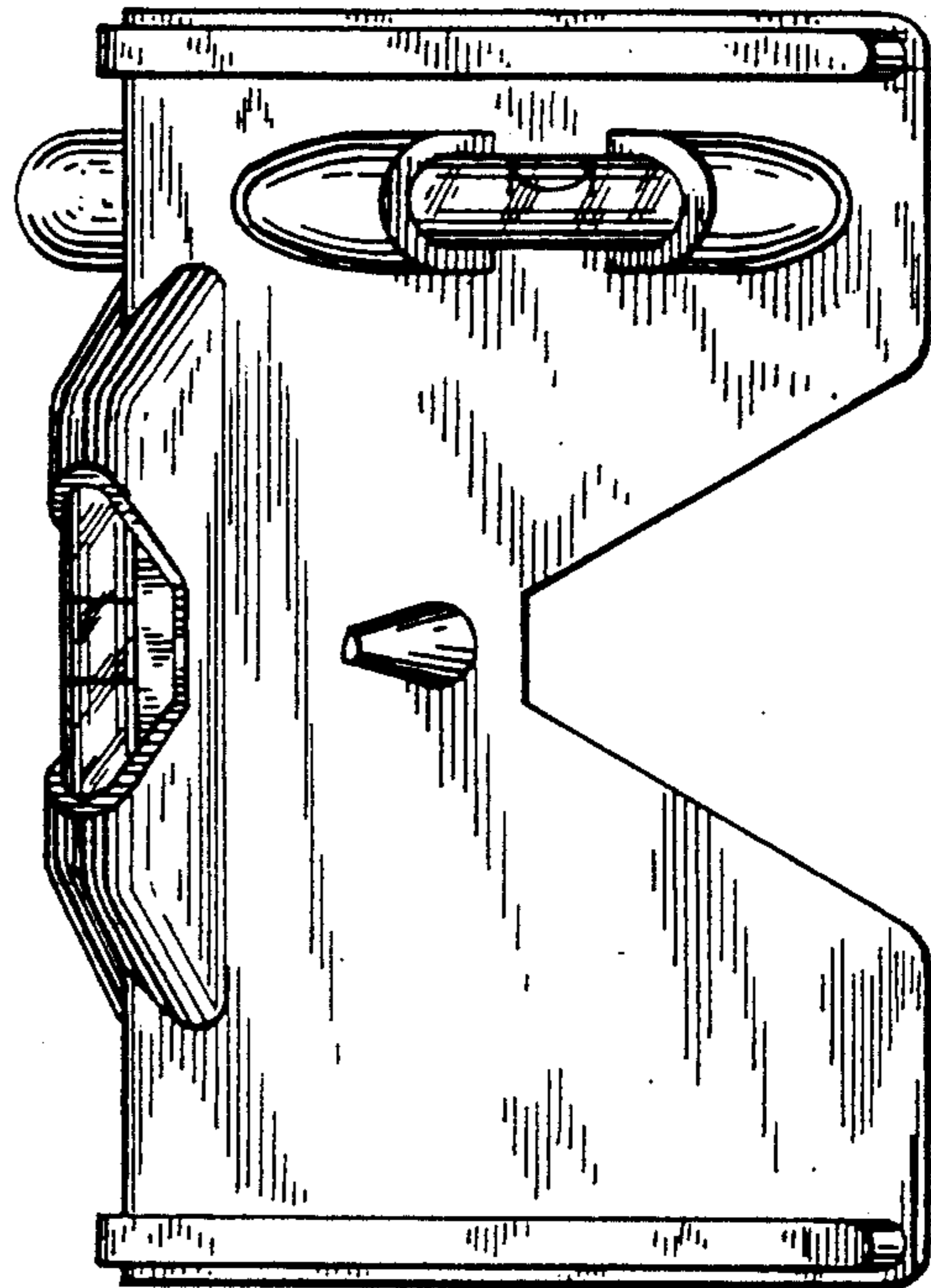


FIG. 3

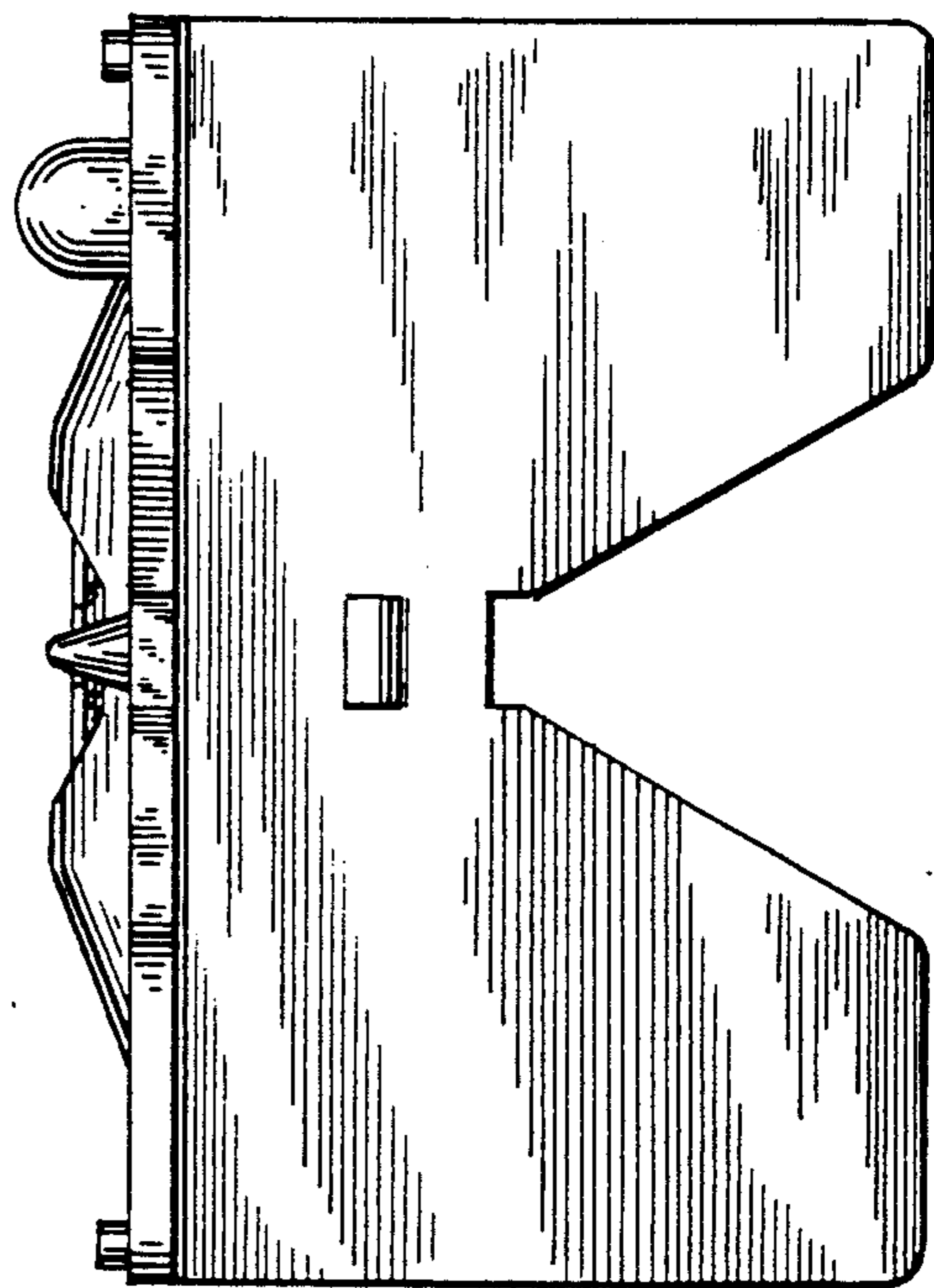


FIG. 4

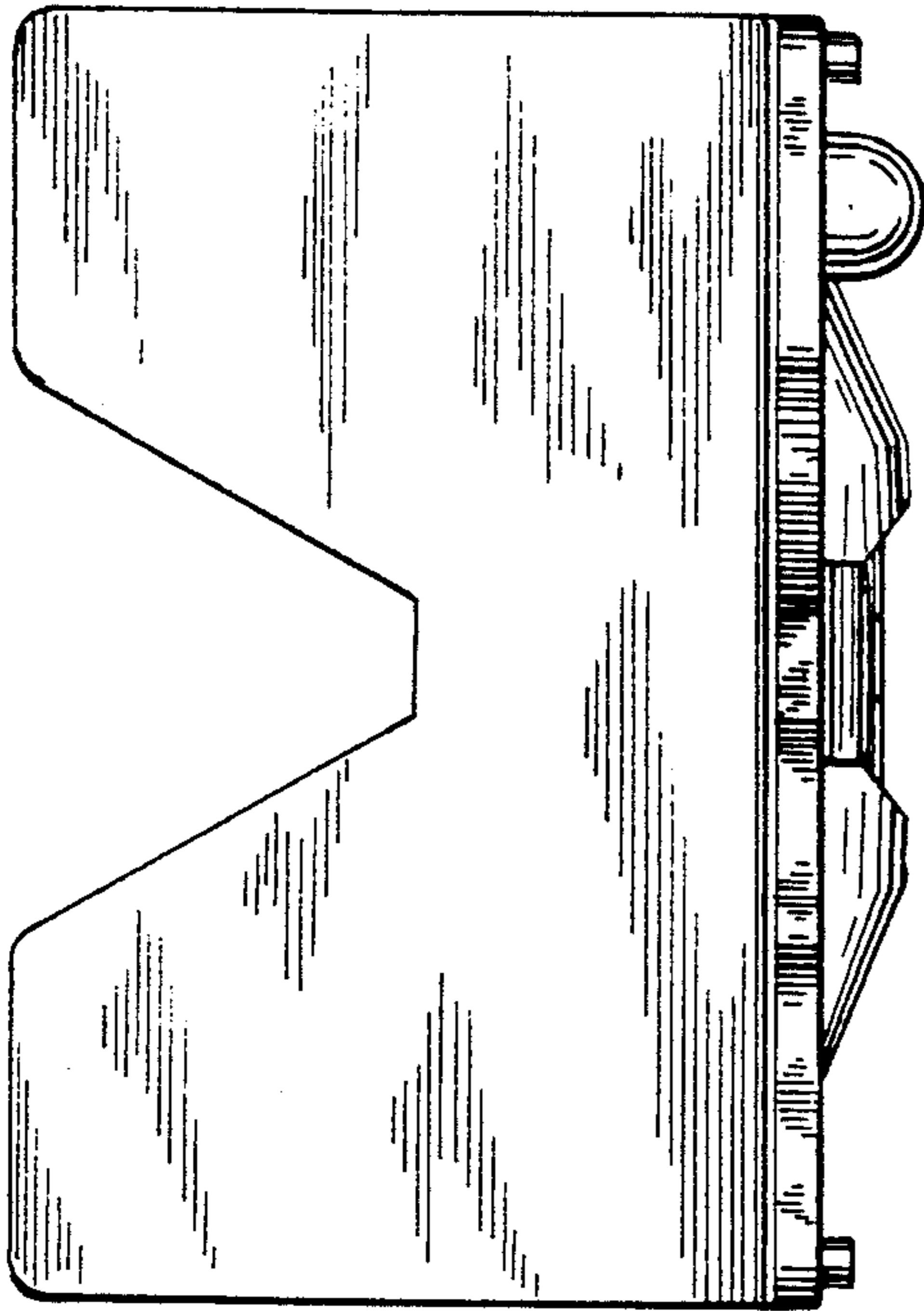


FIG. 5

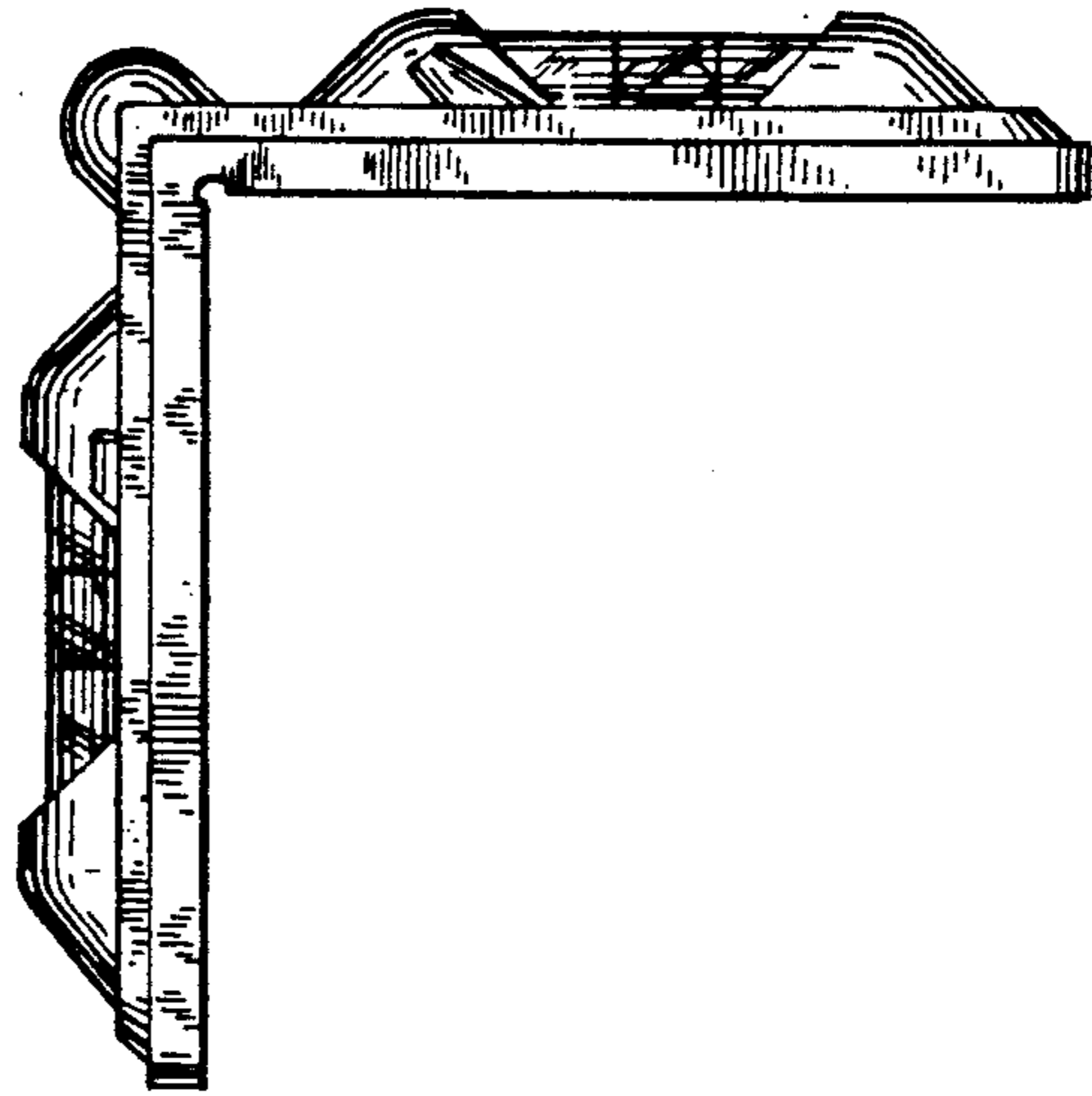


FIG. 6

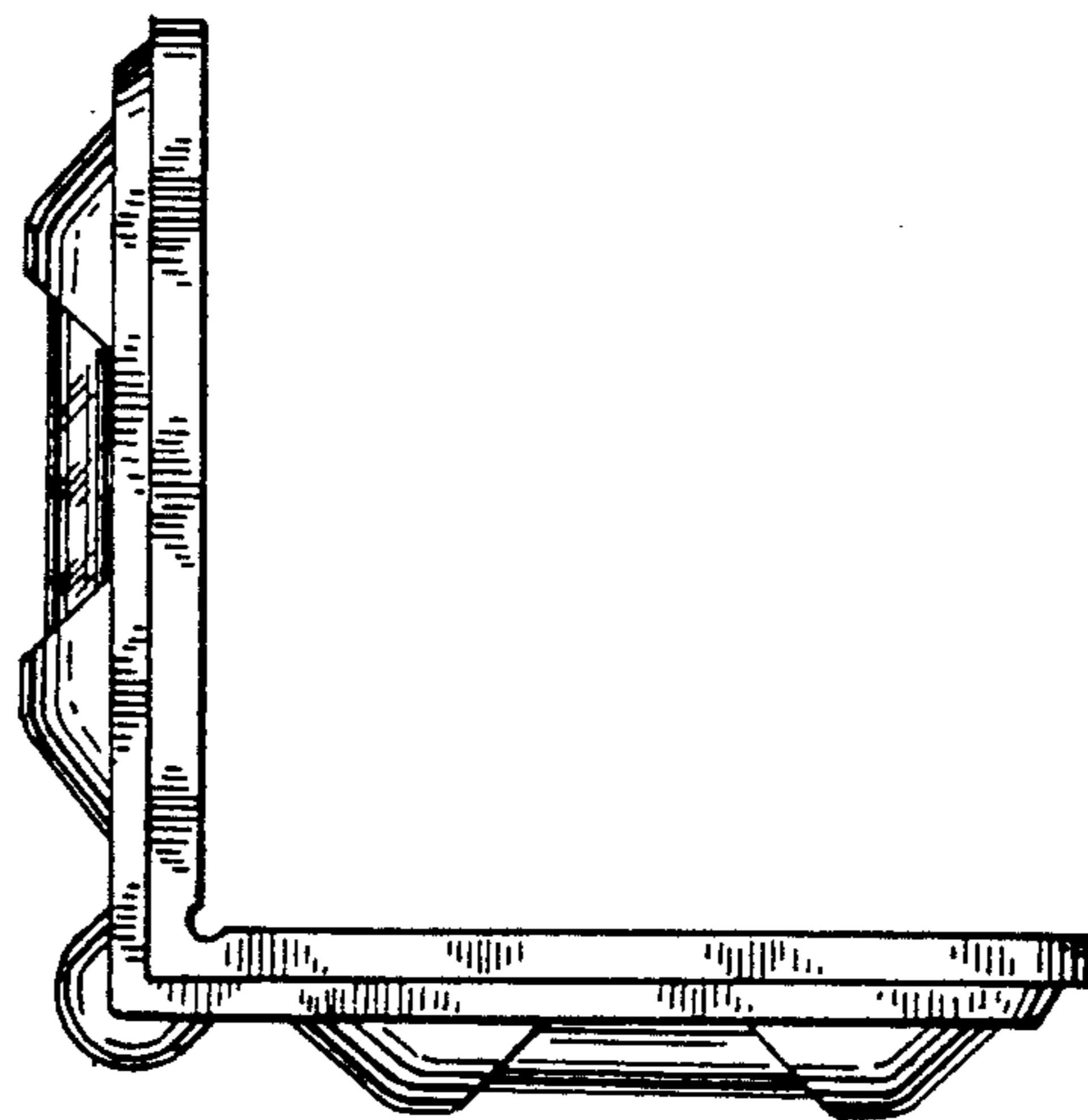


FIG. 7