



US00D332049S

United States Patent [19]

[11] Patent Number: **Des. 332,049**

Burgdorf

[45] Date of Patent: **** Dec. 29, 1992**

[54] LID

[75] Inventor: **Marten Burgdorf, Heimerzheim,**
Fed. Rep. of Germany

[73] Assignee: **Mauser-Werke GmbH, Bruhl, Fed.**
Rep. of Germany

[**] Term: **14 Years**

[21] Appl. No.: **587,904**

[22] Filed: **Sep. 25, 1990**

[30] **Foreign Application Priority Data**

Mar. 31, 1990 [DE] Fed. Rep. of Germany M 90 02
354.4

[52] U.S. Cl. **D9/447; D9/435**

[58] Field of Search **D9/435, 447, 452;**
84/411 R, 413, 420; D34/39

[56] **References Cited**

U.S. PATENT DOCUMENTS

- D. 242,128 11/1976 Chase D9/447
- D. 246,955 1/1978 Davis D9/452
- D. 259,969 7/1981 Zilbert D34/39

- D. 314,514 2/1991 Ten Eyck et al. D9/435 X
- D. 319,134 8/1991 Pryztulla D34/39
- D. 319,982 9/1991 Matthews D9/449 X
- 3,445,031 5/1969 DuBois et al. D9/447 X
- 4,088,239 5/1978 Uhlig D34/39 X

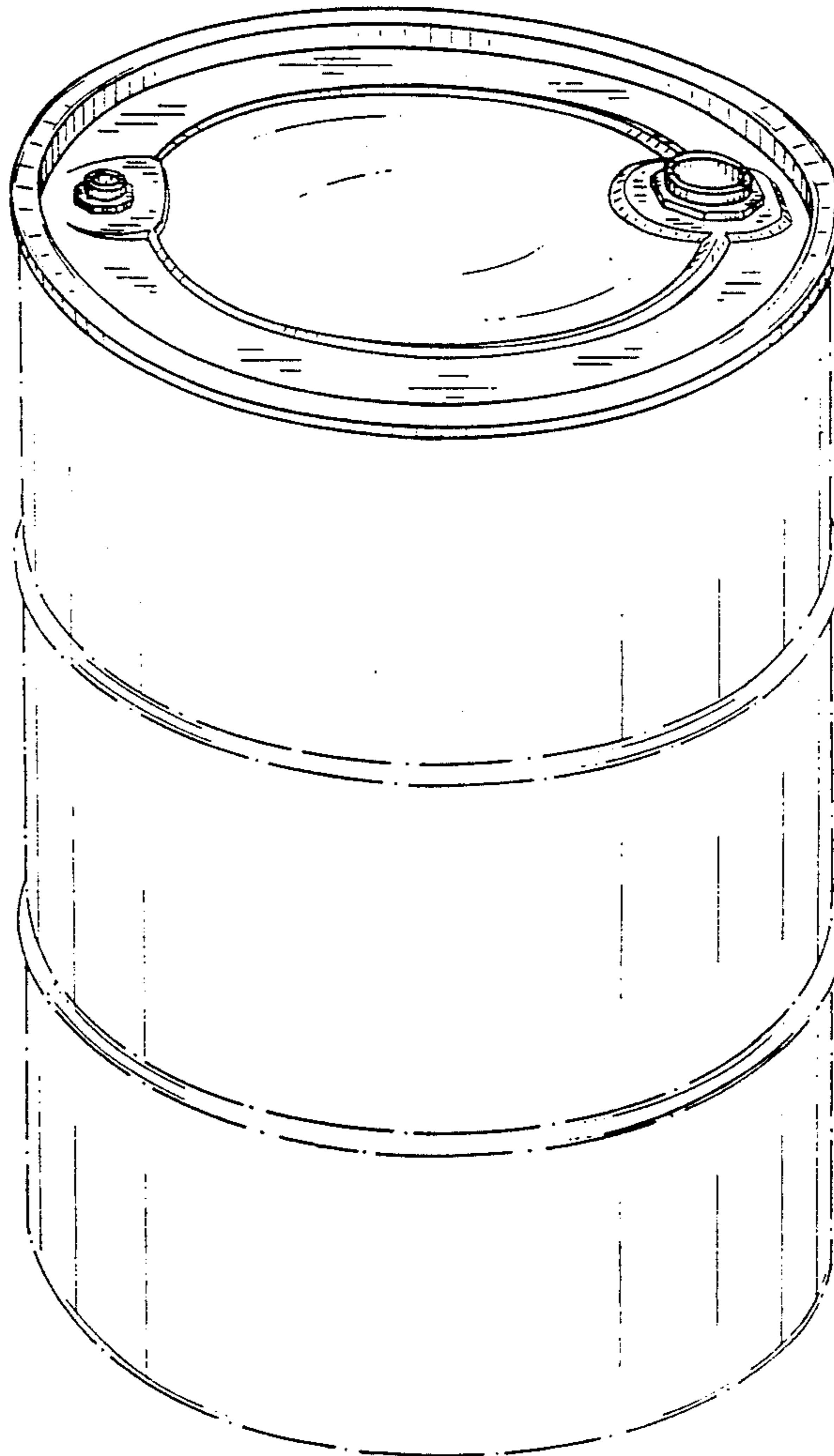
Primary Examiner—Bernard Ansher
Assistant Examiner—Dominic Simone
Attorney, Agent, or Firm—Pennie & Edmonds

[57] **CLAIM**

The ornamental design for the lid, as shown and described.

DESCRIPTION

FIG. 1 is a top plan view of a lid showing my new design;
FIG. 2 is a side elevational view thereof;
FIG. 3 is a bottom plan view thereof;
FIG. 4 is a top perspective view thereof, the container shown in broken lines for illustrative purposes only;
FIG. 5 is a cross-sectional view thereof, taken in the direction of the arrows along line 5—5 of FIG. 1; and,
FIG. 6 is a cross-sectional view thereof, taken in the direction of the arrows along line 6—6 of FIG. 1.



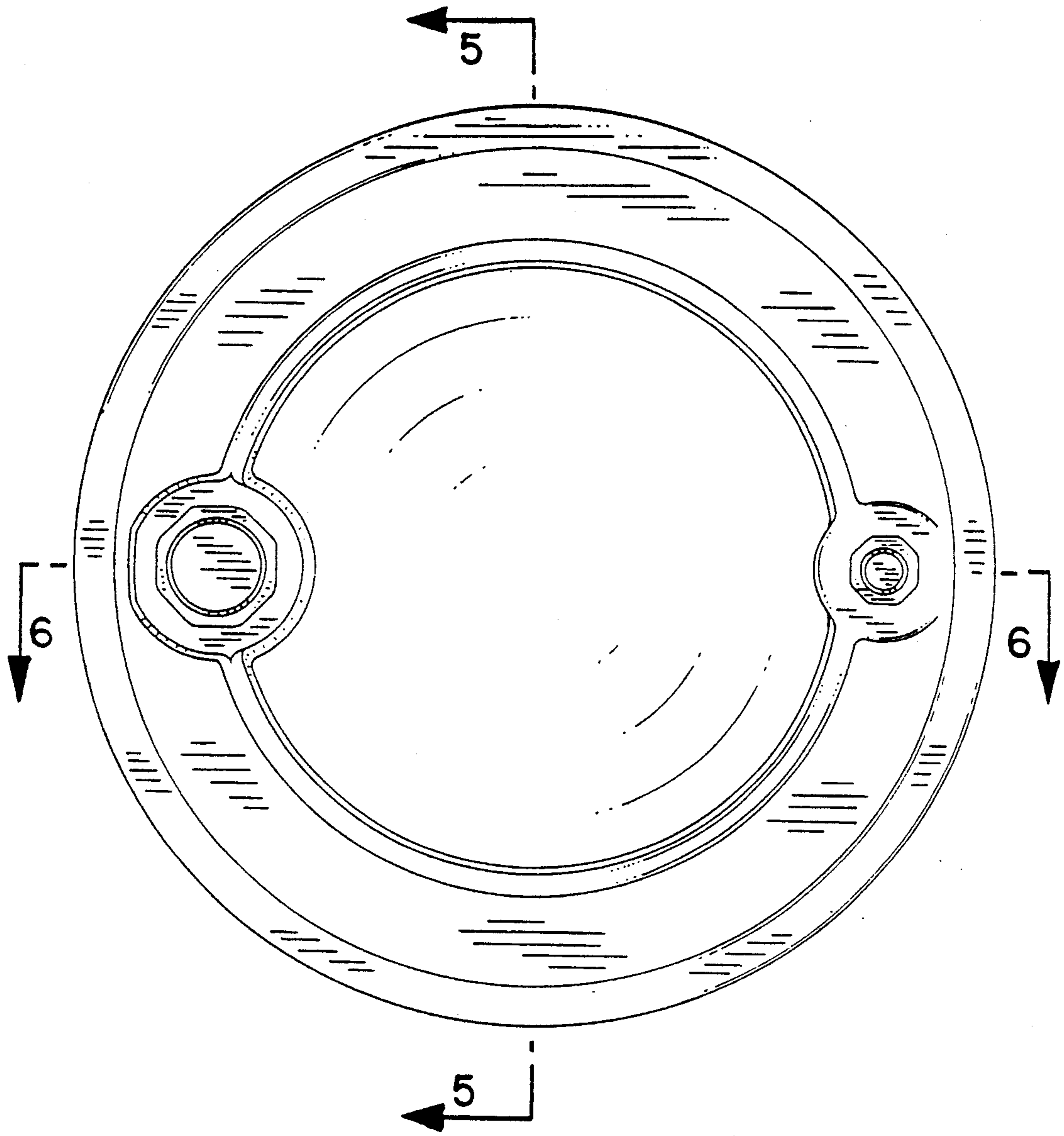


FIG. 1

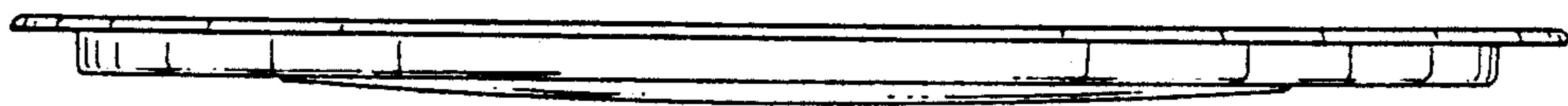


FIG. 2

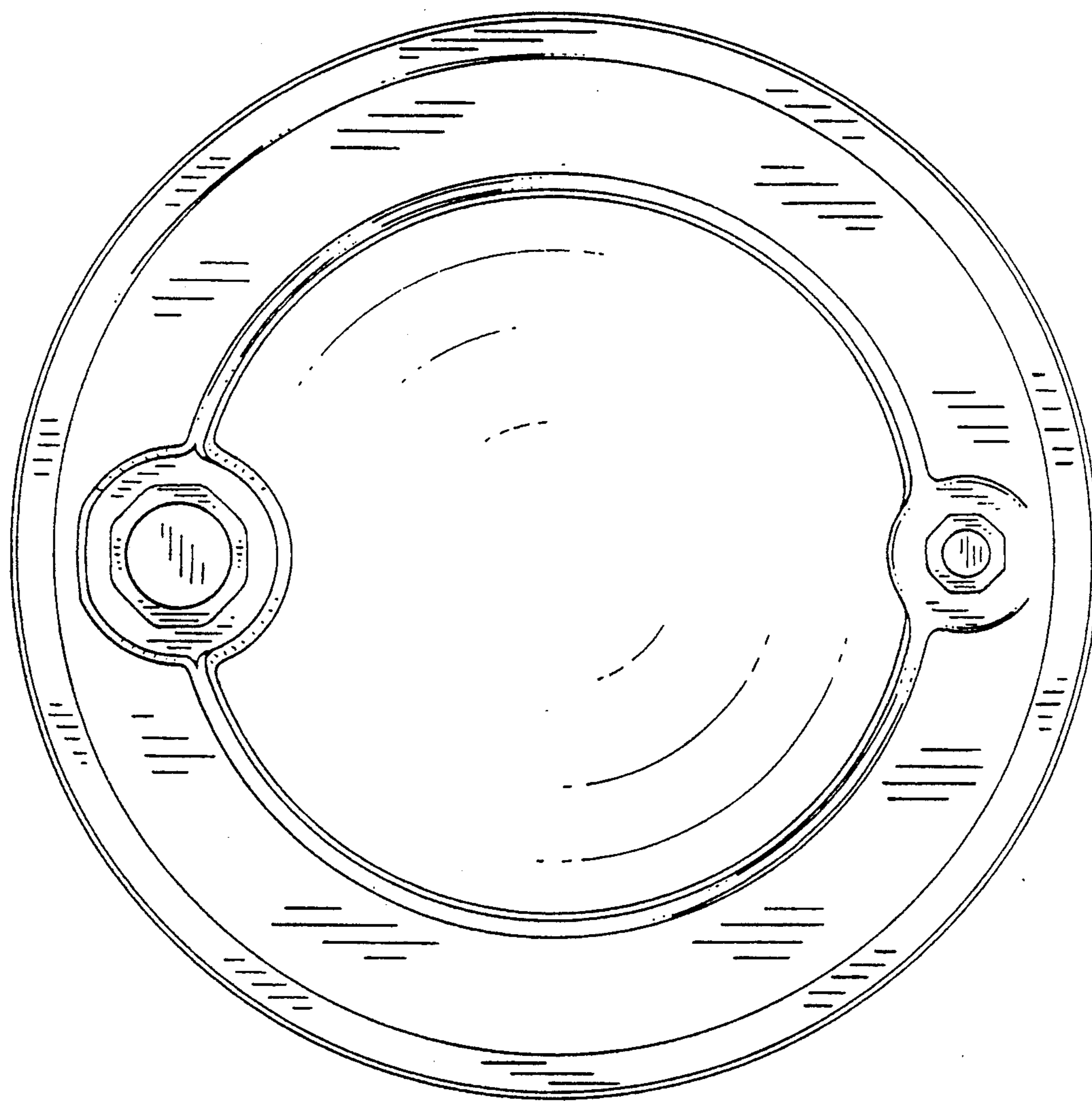


FIG. 3

FIG. 4

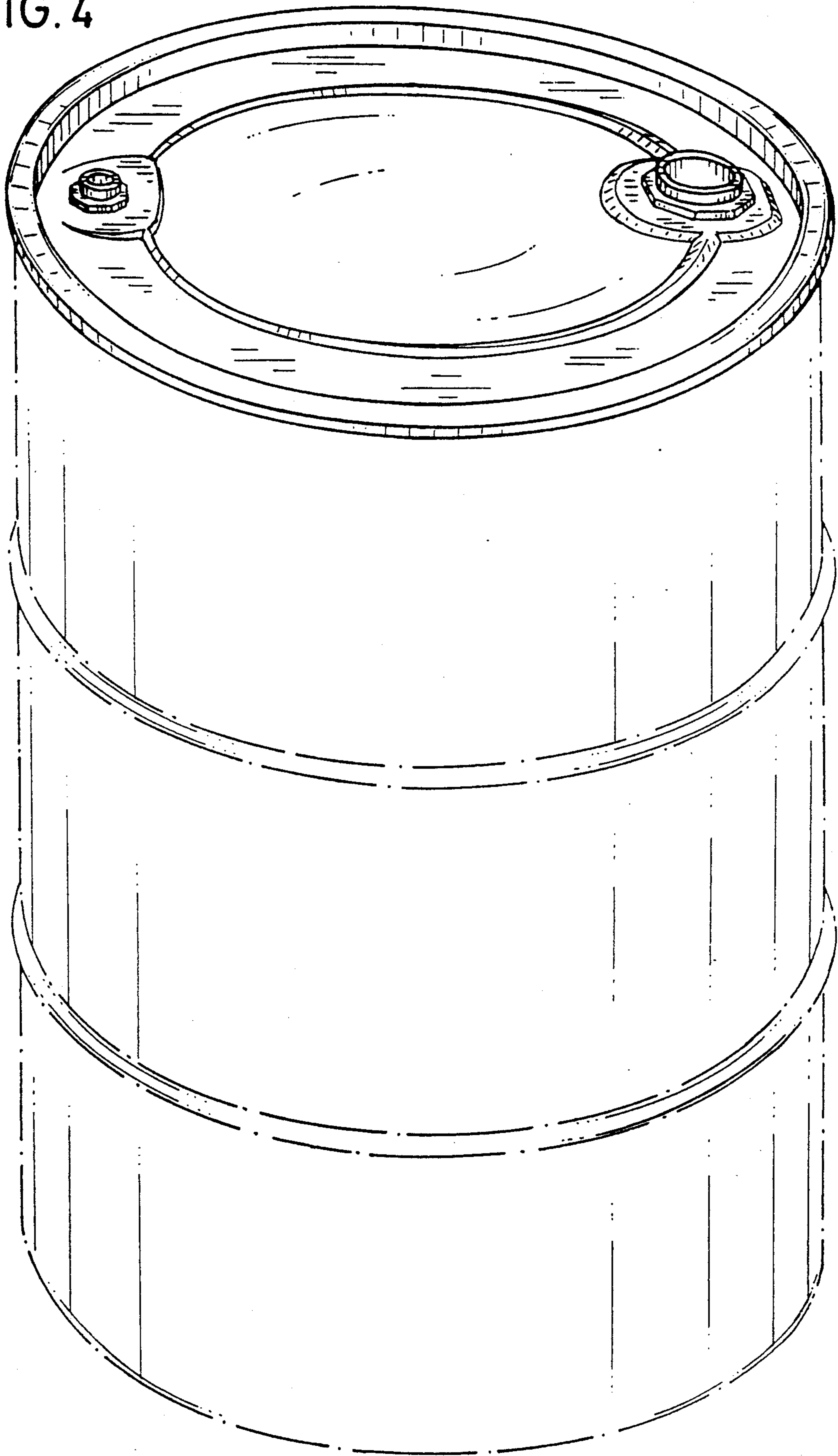


FIG. 5

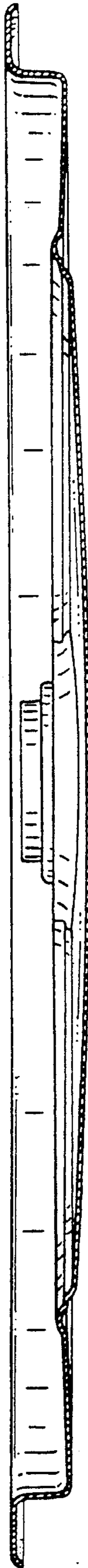


FIG. 6

