



US00D332047S

# United States Patent [19]

[11] Patent Number: Des. 332,047

Kluk et al.

[45] Date of Patent: \*\* Dec. 29, 1992

## [54] PEGBOARD HOOK

[76] Inventors: **Ronald W. Kluk**, 1031 S. Addison, Bensenville, Ill. 60106; **George F. Lowe**, 2151 N. LeClaire, Chicago, Ill. 60639

[\*\*] Term: **14 Years**

[21] Appl. No.: **557,505**

[22] Filed: **Jun. 24, 1990**

[52] U.S. Cl. .... **D8/367**

[58] Field of Search ..... **D8/367, 272; 248/73, 248/71, 221.2; 24/453, 297**

## [56] References Cited

### U.S. PATENT DOCUMENTS

D. 241,007	8/1976	Solo	.....	D8/367
2,790,616	4/1957	Cardinal, Jr.	.....	248/217
3,014,597	12/1961	McWherter	.....	D8/372
3,154,281	10/1964	Frank	.....	248/20.1
3,640,497	2/1972	Waki	.....	248/225
4,094,483	6/1978	Busch	.....	248/73
4,103,854	8/1978	Pliml et al.	.....	248/235
4,301,986	11/1981	Morel	.....	248/221.3
4,304,382	12/1981	Jelen	.....	248/221.1
4,470,178	9/1984	Matsui	.....	24/297
4,537,821	8/1985	Fast	.....	248/221.4
4,619,431	10/1986	Matsui et al.	.....	248/500
4,645,154	2/1987	Bly	.....	248/200.4
4,681,288	7/1987	Nakamura	.....	248/221.4
4,728,068	3/1988	Rivkin	.....	248/71
4,795,116	1/1989	Kohut et al.	.....	248/225
4,890,966	1/1990	Umezawa	.....	24/453
4,918,261	4/1990	Takahashi et al.	.....	248/73

## OTHER PUBLICATIONS

IBM Technical Disclosure Bulletin, vol. 19, No. 2 (Jul. 1976) "Molded Fastner" by S. E. Wheeler.

*Primary Examiner*—Horace B. Fay, Jr.  
*Attorney, Agent, or Firm*—Leydig, Voit & Mayer

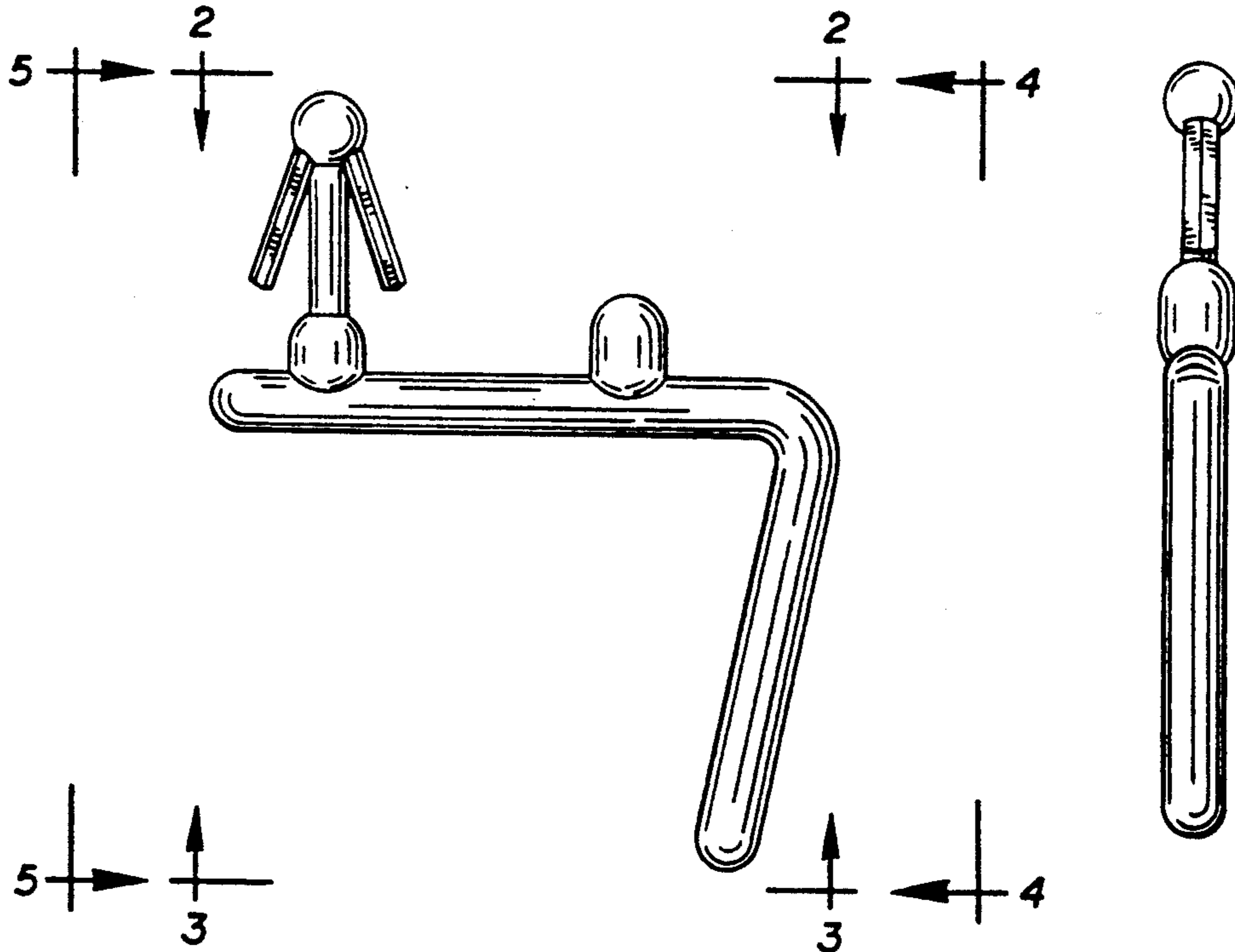
## [57] CLAIM

The ornamental design for a pegboard hook, as shown and described herein.

## DESCRIPTION

FIG. 1 is a side plan view of a pegboard hook incorporating our new design;  
 FIG. 2 is a top view taken along the line 2—2 of FIG. 1;  
 FIG. 3 is a bottom view taken along the line 3—3 of FIG. 1;  
 FIG. 4 is an end view taken along the line 4—4 of FIG. 1;  
 FIG. 5 is an end view taken along the line 5—5 of FIG. 1;  
 FIG. 6 is a side plan view of a pegboard hook incorporating our design as in FIG. 1 for another alternative hook;  
 FIG. 7 is a top plan view taken along the line 7—7;  
 FIG. 8 is a bottom view taken along the line 8—8 of FIG. 6;  
 FIG. 9 is an end view taken along the line 9—9 of FIG. 6; and,  
 FIG. 10 is an end view taken along the line 10—10 of FIG. 6.

The characteristic feature of our new design is in the base portion of the pegboard hook.



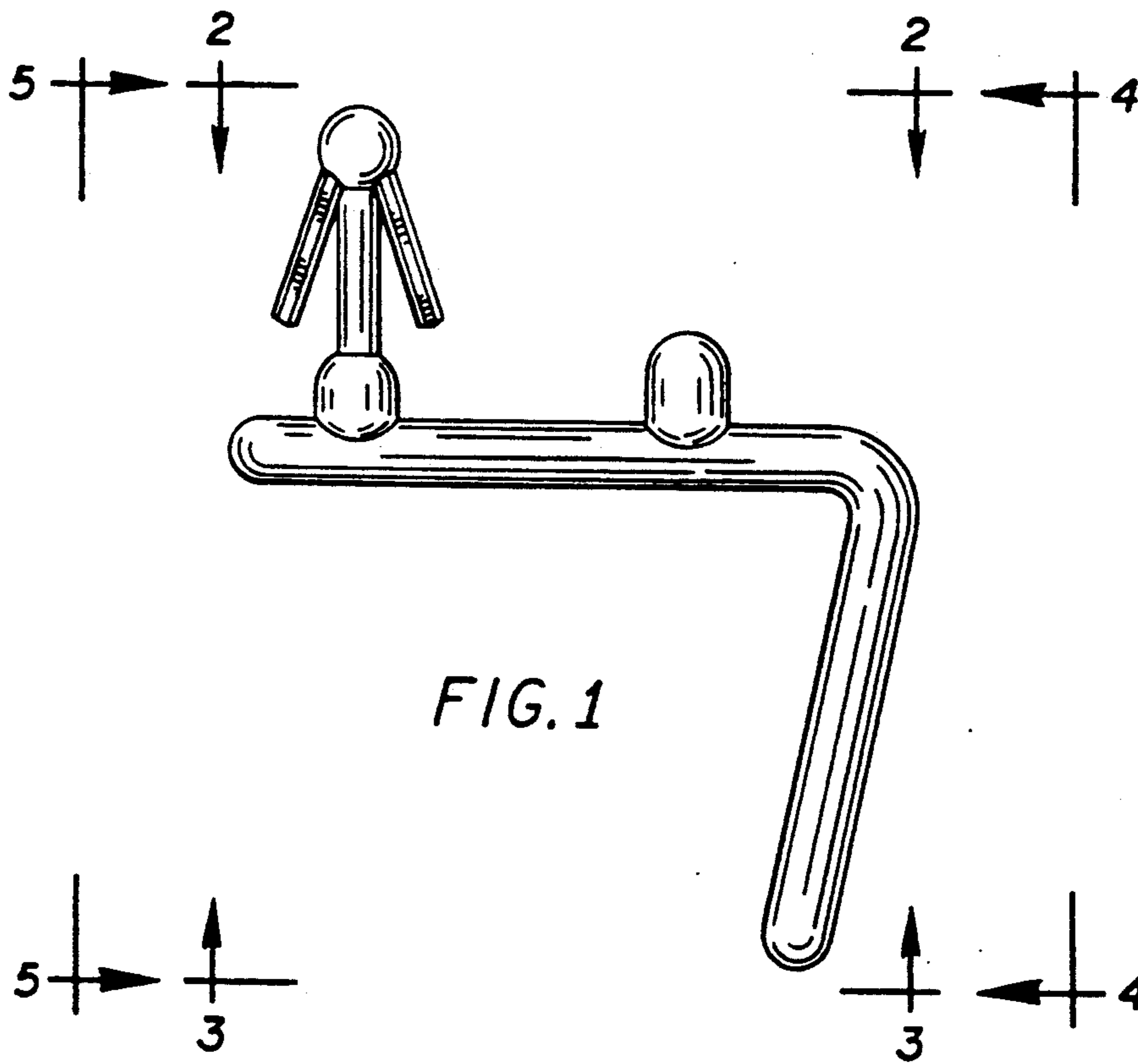


FIG. 1

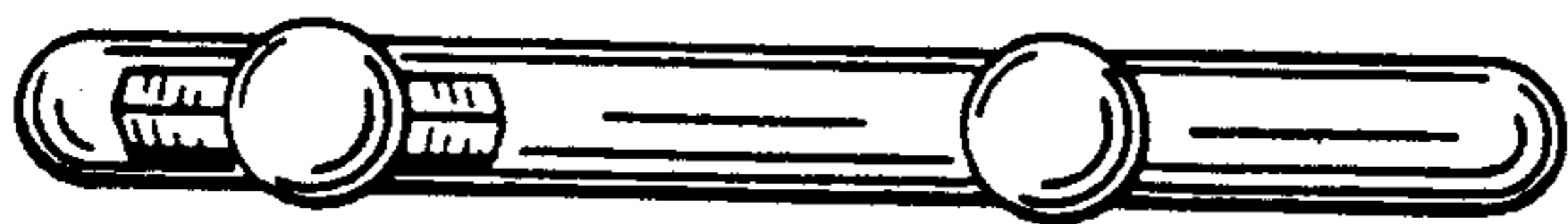


FIG. 2

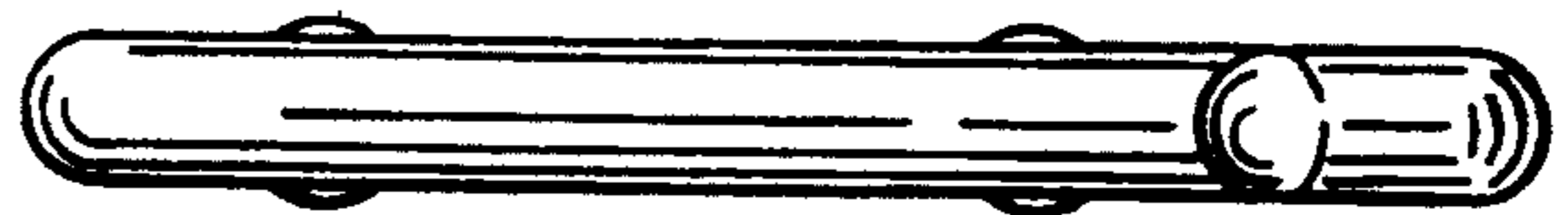


FIG. 3

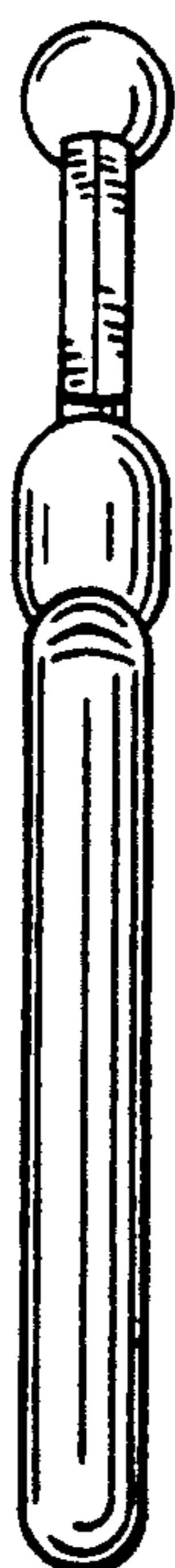


FIG. 4



FIG. 5

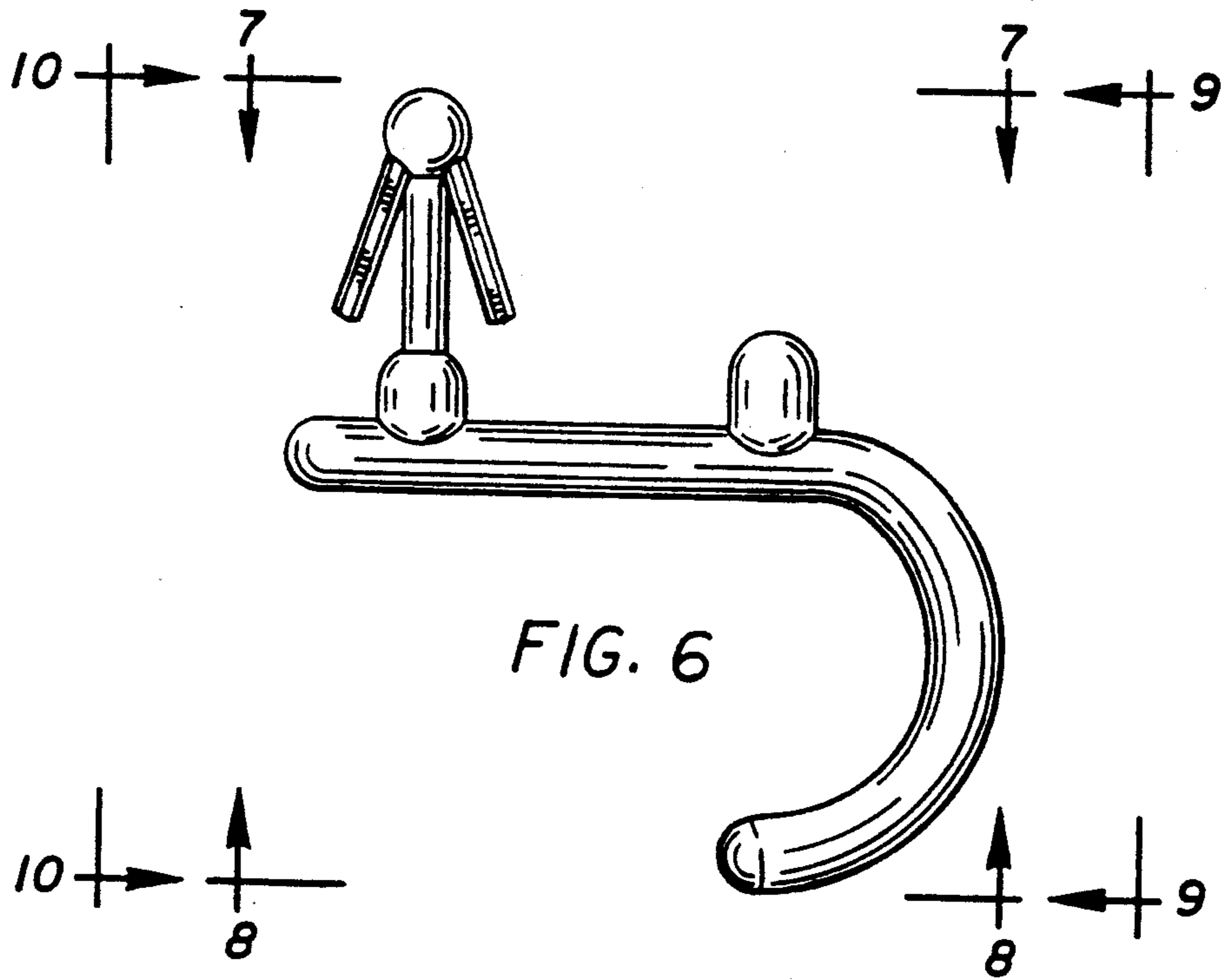


FIG. 6

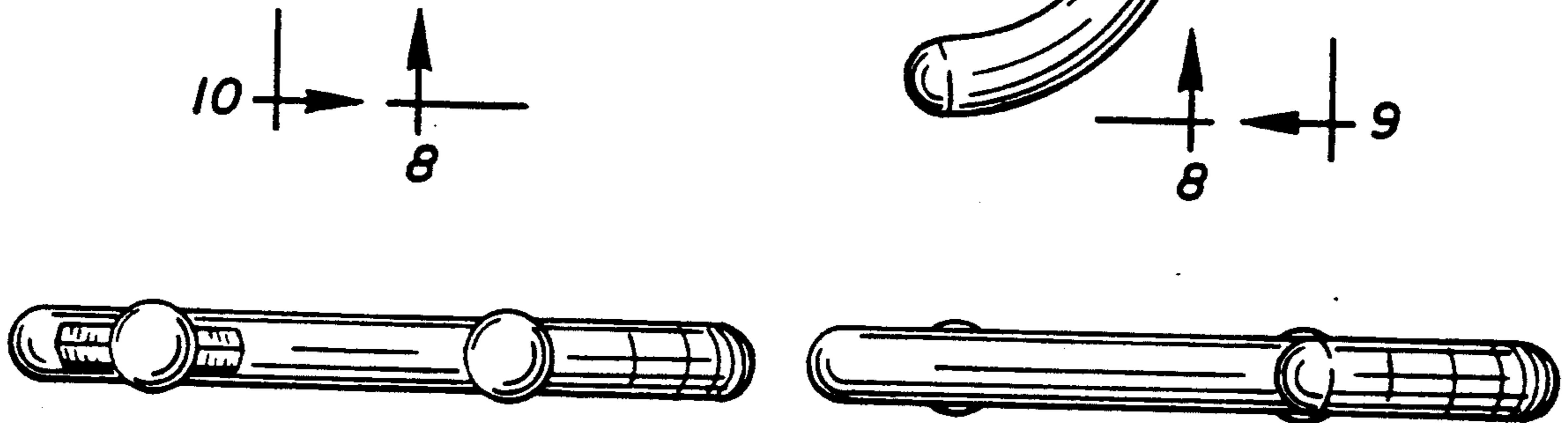


FIG. 7

FIG. 8

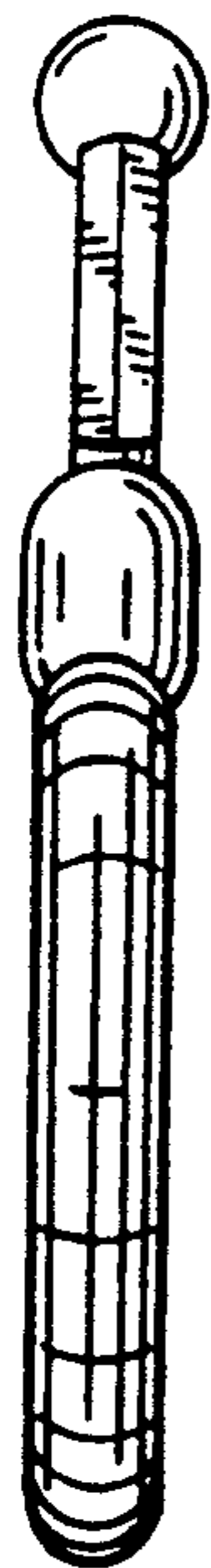


FIG. 9



FIG. 10