



US00D332043S

United States Patent [19]

[11] Patent Number: Des. 332,043

Linhart

[45] Date of Patent: ** Dec. 29, 1992

[54] BICYCLE LOCK

OTHER PUBLICATIONS

[76] Inventor: **Walter J. Linhart**, 3100 Stevenson Dr., Springfield, Ill. 62703-4462

Sterling "Rotary Shackle Padlock" Pamphlet (1975).
Basta "Automatic Combination Bike Lock" Pamphlet (1968).

[**] Term: **14 Years**

Primary Examiner—Brian N. Vinson
Attorney, Agent, or Firm—Terry M. Gernstein

[21] Appl. No.: **741,170**

[57] CLAIM

[22] Filed: **Aug. 7, 1991**

The ornamental design for a bicycle lock, as shown and described.

[52] U.S. Cl. **D8/333**

[58] Field of Search D8/330-331,
D8/333-335; 70/14, 20, 31, 35, 38 R, 40, 58,
233, 226

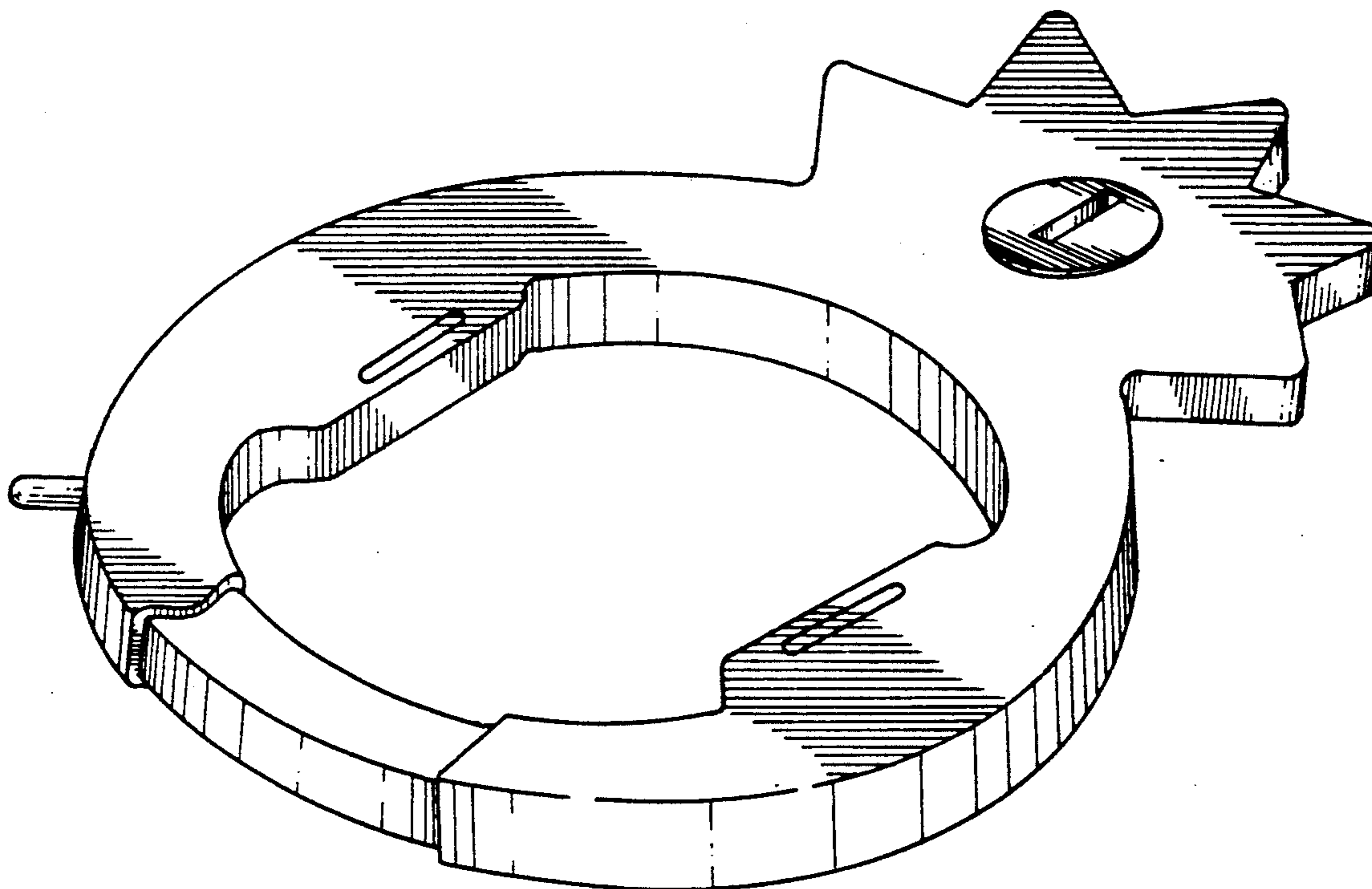
DESCRIPTION

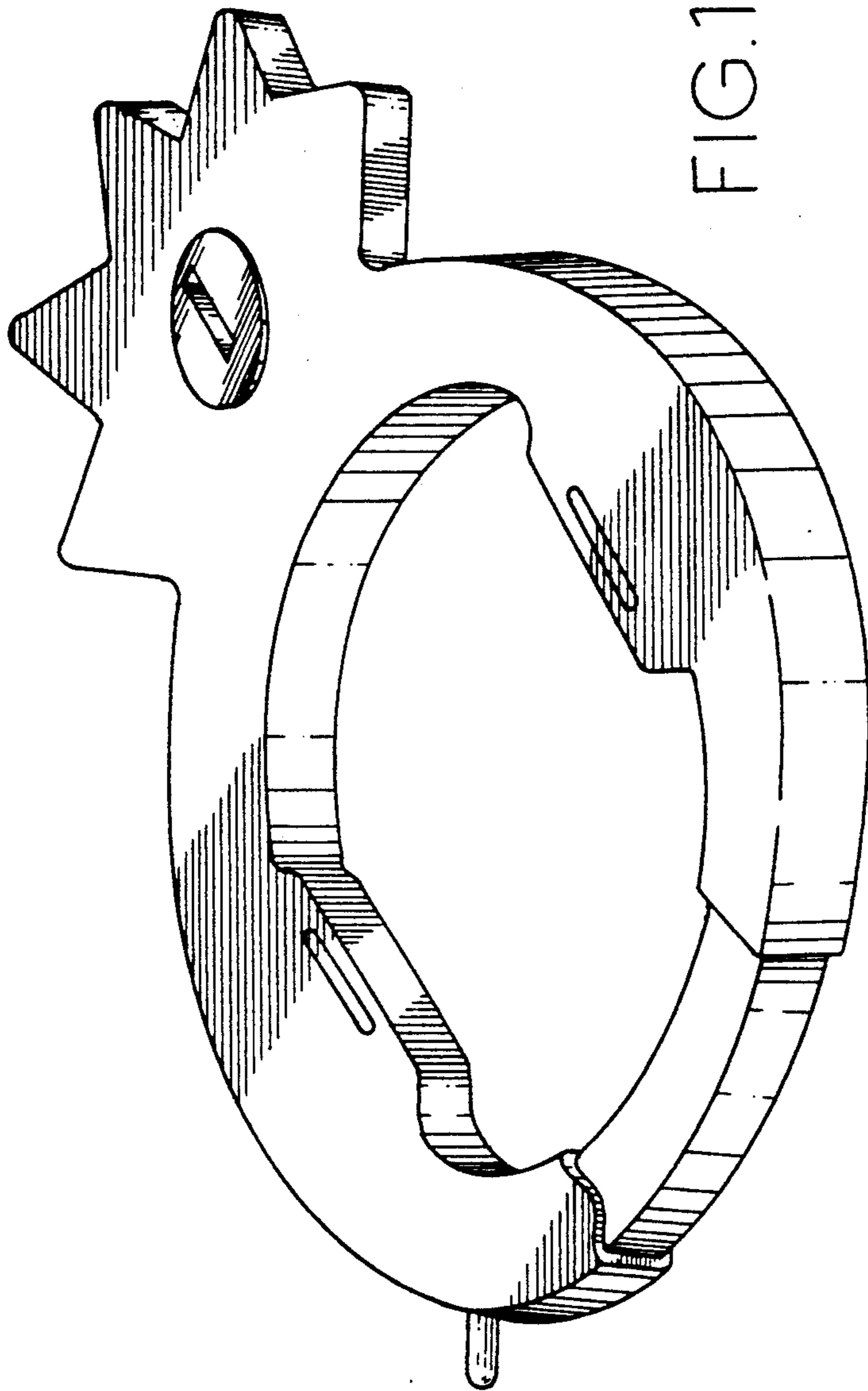
[56] References Cited

U.S. PATENT DOCUMENTS

D. 293,547	1/1988	Owen	D8/333
1,172,970	2/1916	Fowler	70/40 X
4,180,998	1/1980	Hellman	70/233
4,674,306	6/1987	Halpern	70/233
4,920,772	5/1990	Denison	70/233

FIG. 1 is a bottom, front, and right side perspective view of a bicycle lock showing my new design;
FIG. 2 is a front elevational view thereof;
FIG. 3 is a rear elevational view thereof;
FIG. 4 is a right side elevational view thereof;
FIG. 5 is a left side elevational view thereof;
FIG. 6 is a top plan view thereof; and,
FIG. 7 is a bottom plan view thereof.





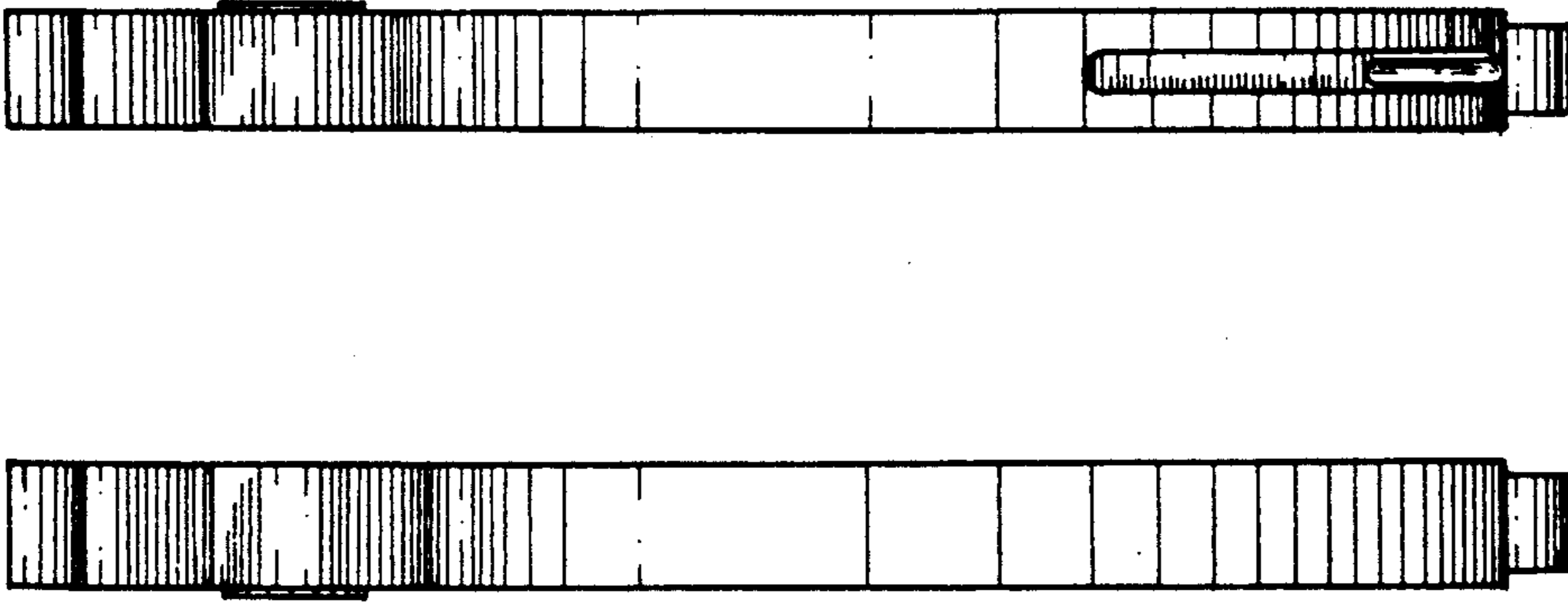


FIG. 4. FIG. 5.

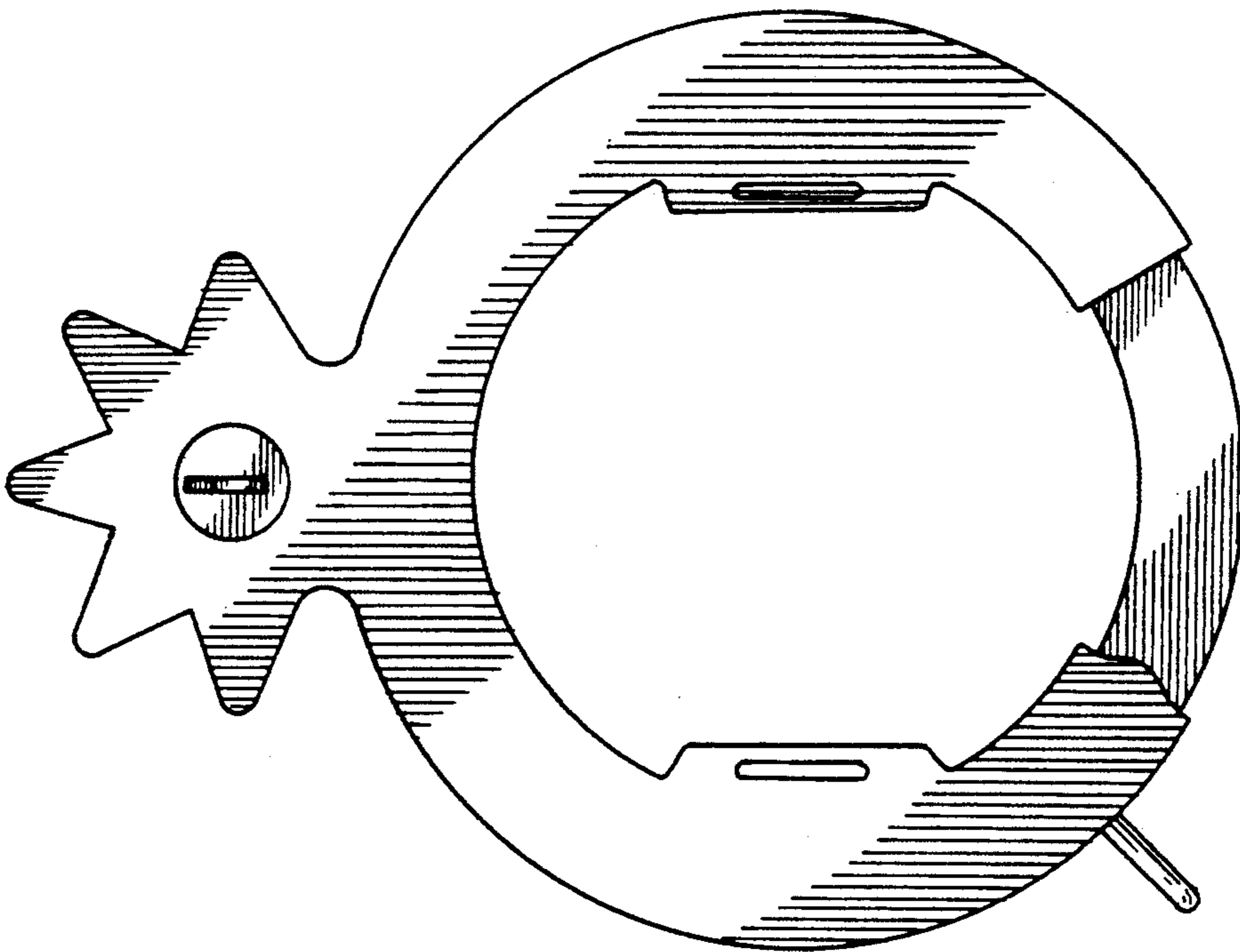


FIG. 2.

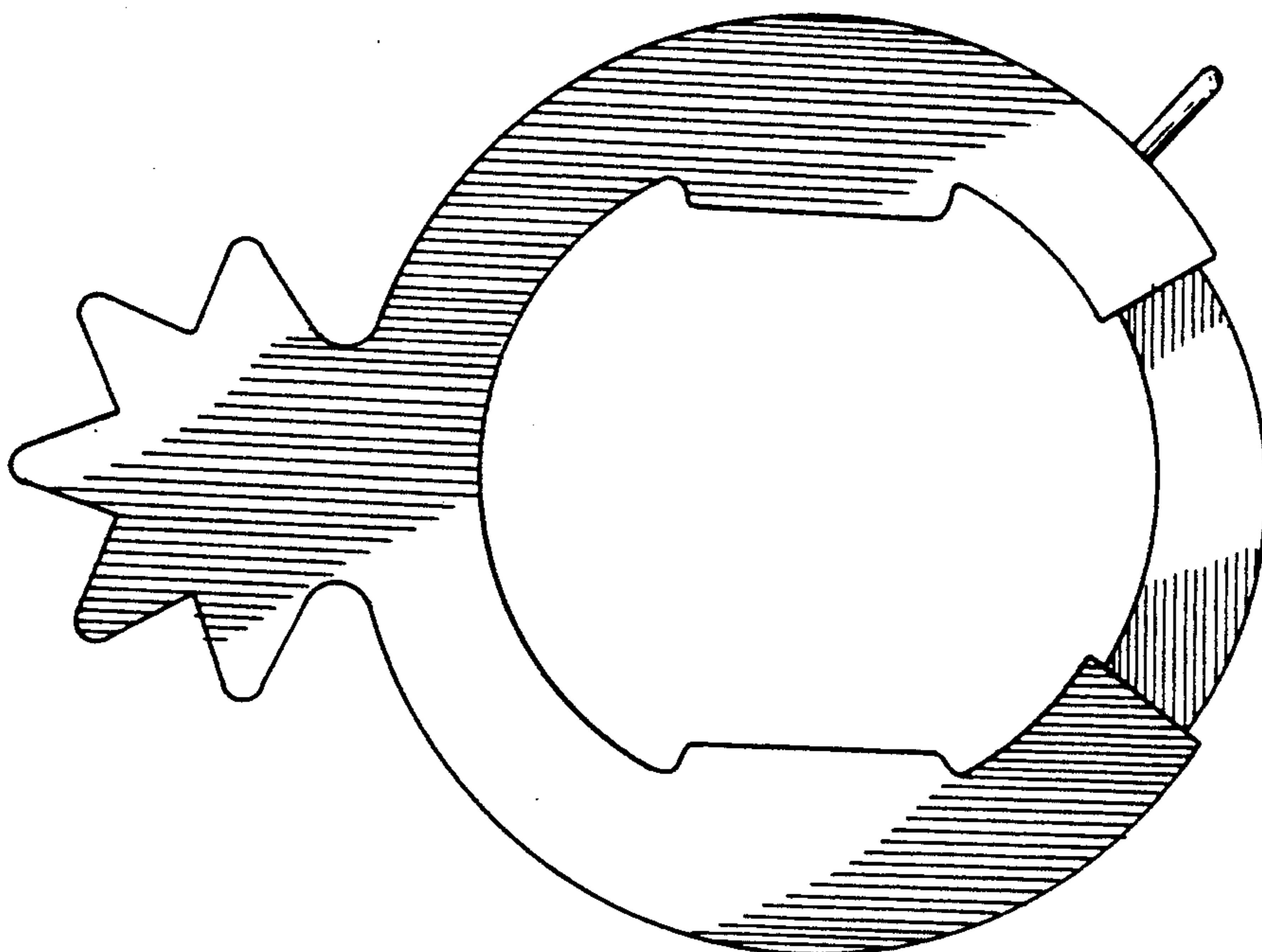


FIG. 3.

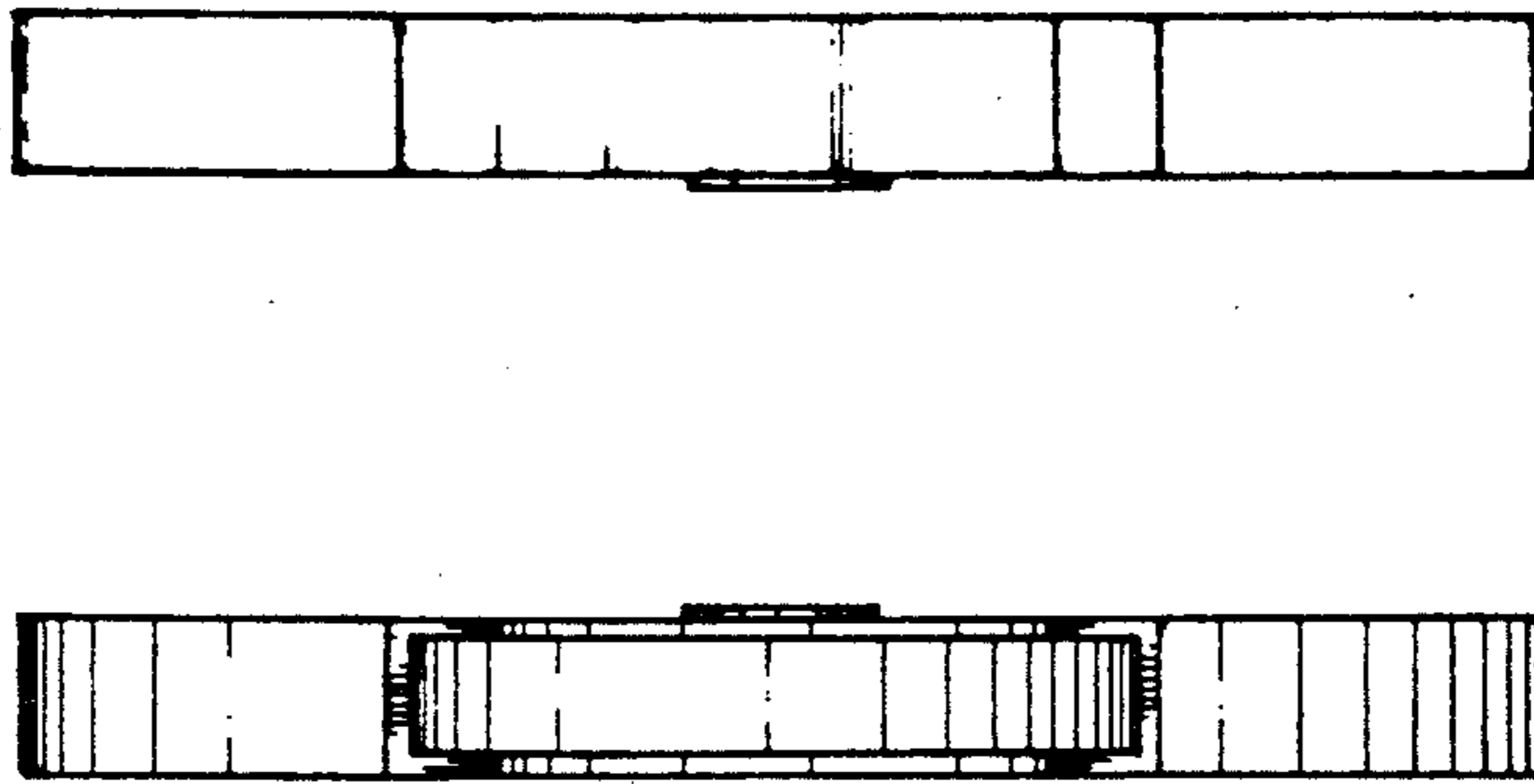


FIG. 6. FIG. 7.