



US00D332040S

# United States Patent [19]

Hoshino et al.

[11] Patent Number: **Des. 332,040**

[45] Date of Patent: **\*\* Dec. 29, 1992**

[54] **DRILL CHUCK**

[75] Inventors: **Kiyoshi Hoshino, Clemson, S.C.;**  
**James B. Watson, Conyers, Ga.**

[73] Assignee: **Ryobi Motor Products Corp., Easley, S.C.**

[\*\*] Term: **14 Years**

[21] Appl. No.: **526,323**

[22] Filed: **May 21, 1990**

[52] U.S. Cl. .... **D8/70**

[58] Field of Search ..... **D8/70; 279/60-65, 279/902**

4,669,932 6/1987 Hartley ..... 279/60 X  
 4,726,719 2/1988 Mack ..... 279/64  
 4,902,025 2/1990 Zimdars ..... 279/60 X  
 4,913,449 4/1990 Röhm ..... 279/60  
 4,955,623 9/1990 Röhm ..... 279/60  
 5,031,925 7/1991 Tatsu et al. .... 279/64

*Primary Examiner*—Carmen H. Vales-Lado  
*Assistant Examiner*—J. H. Musgrove  
*Attorney, Agent, or Firm*—Brooks & Kushman

### [57] CLAIM

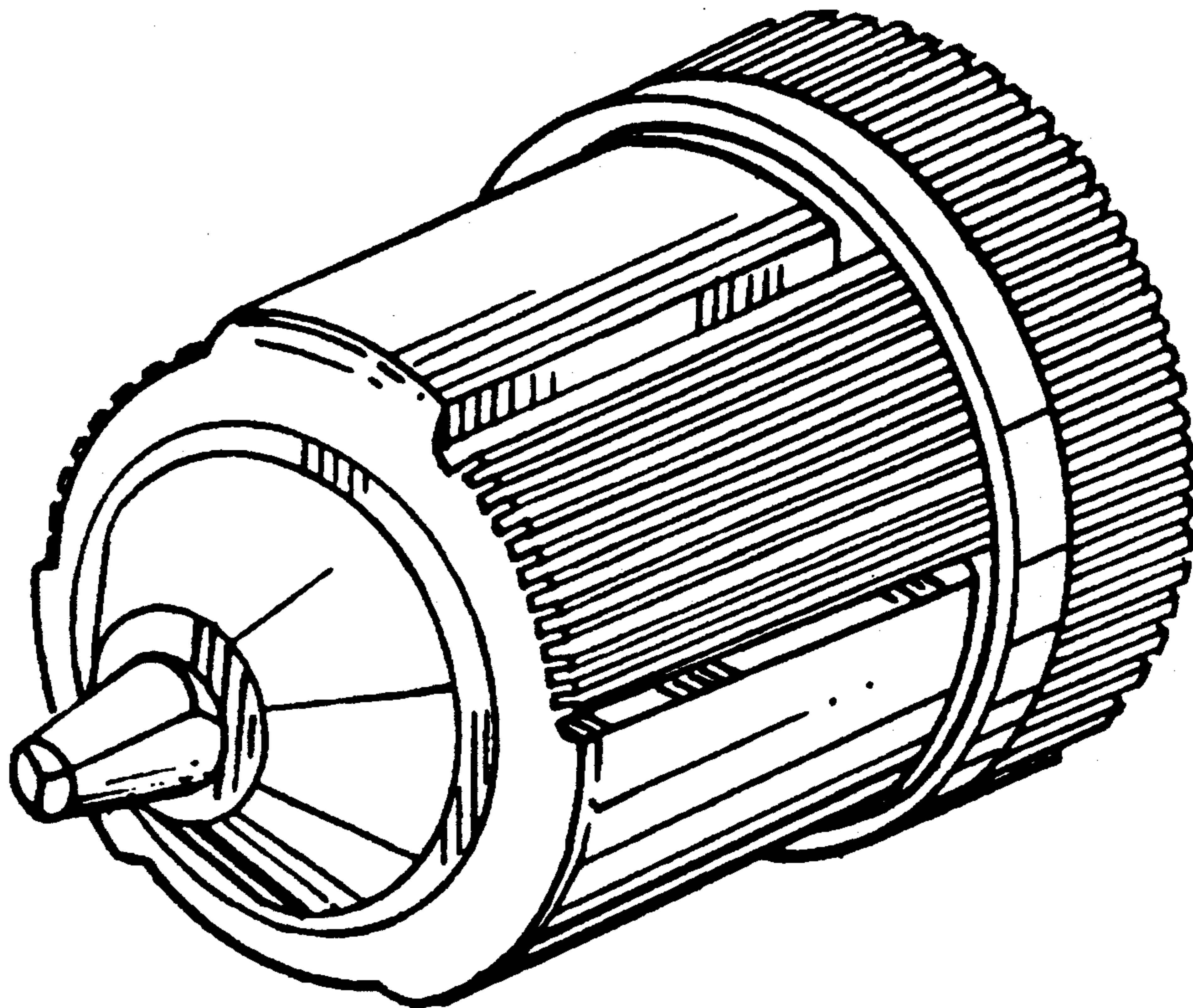
The ornamental design of a drill chuck, as shown.

### DESCRIPTION

FIG. 1 is a top, front and right-side perspective view of a drill chuck showing our new design;  
 FIG. 2 is a front elevational view thereof;  
 FIG. 3 is a rear elevational view thereof;  
 FIG. 4 is a top plan view thereof; and,  
 FIG. 5 is a bottom plan view thereof.

[56] **References Cited**  
**U.S. PATENT DOCUMENTS**

3,545,776 12/1970 Haviland ..... 279/902 X  
 4,527,809 7/1985 Umbert ..... 279/64  
 4,563,013 1/1986 Hunger et al. .... 279/64



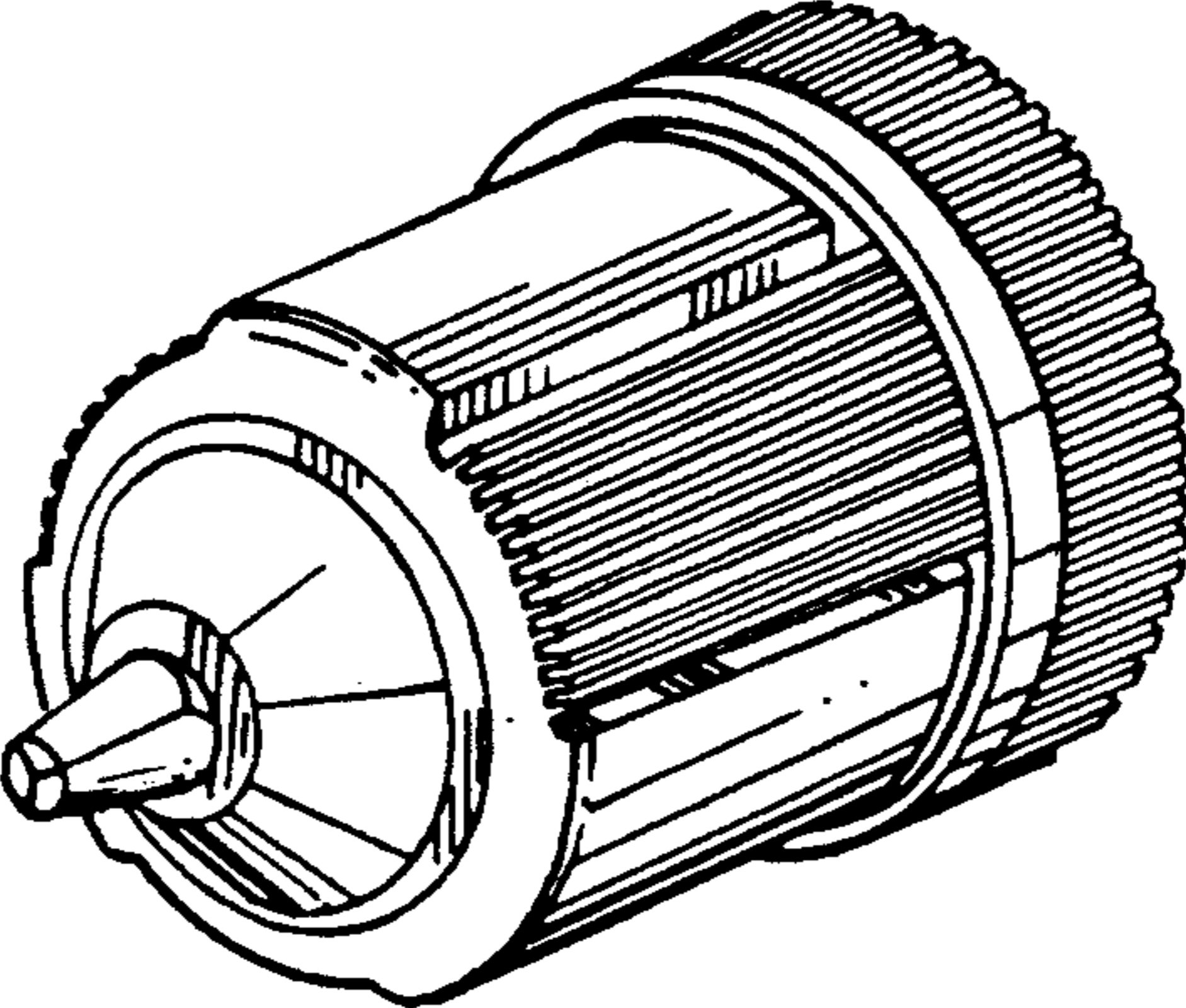


FIG. 1

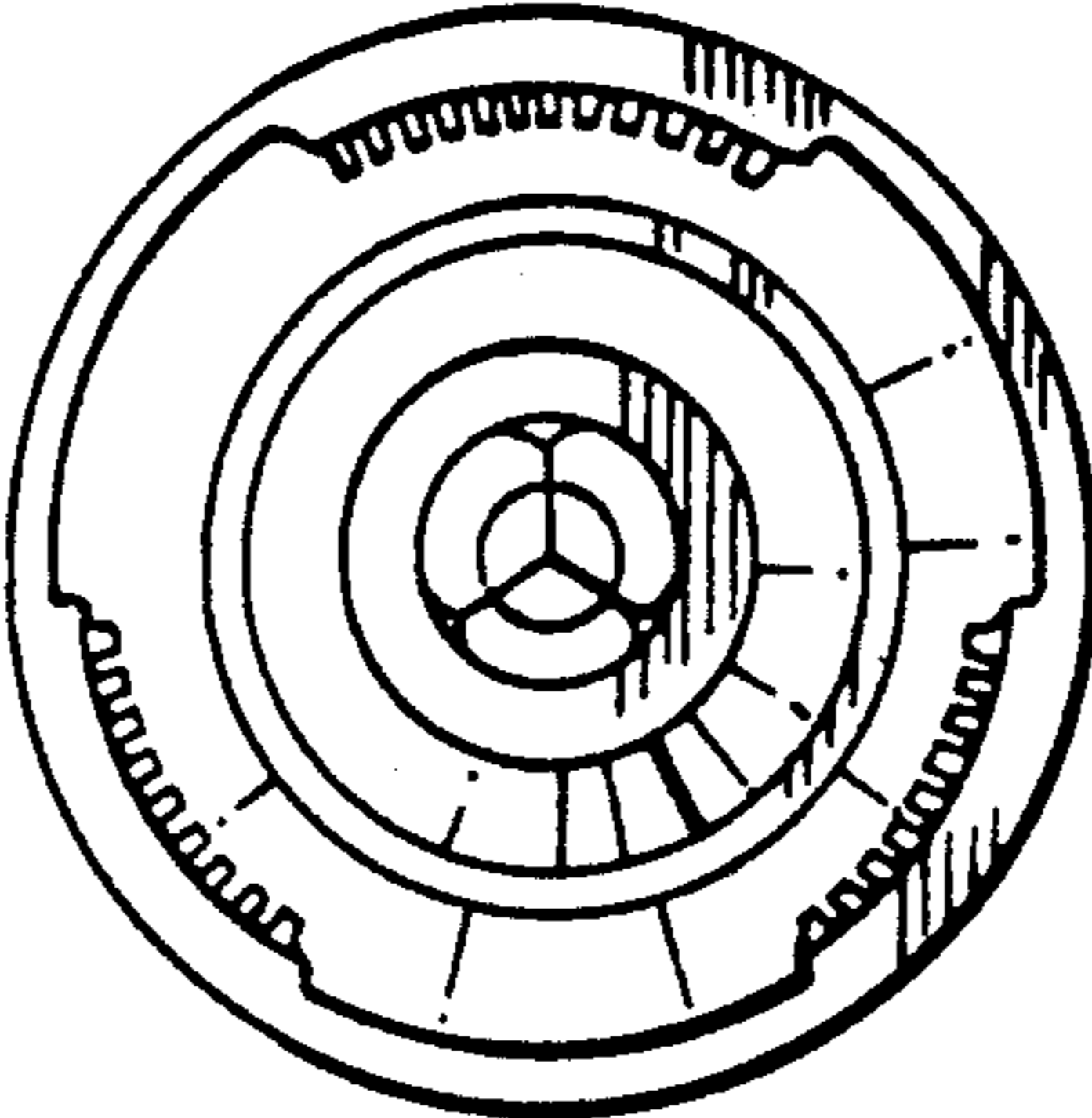


FIG. 2

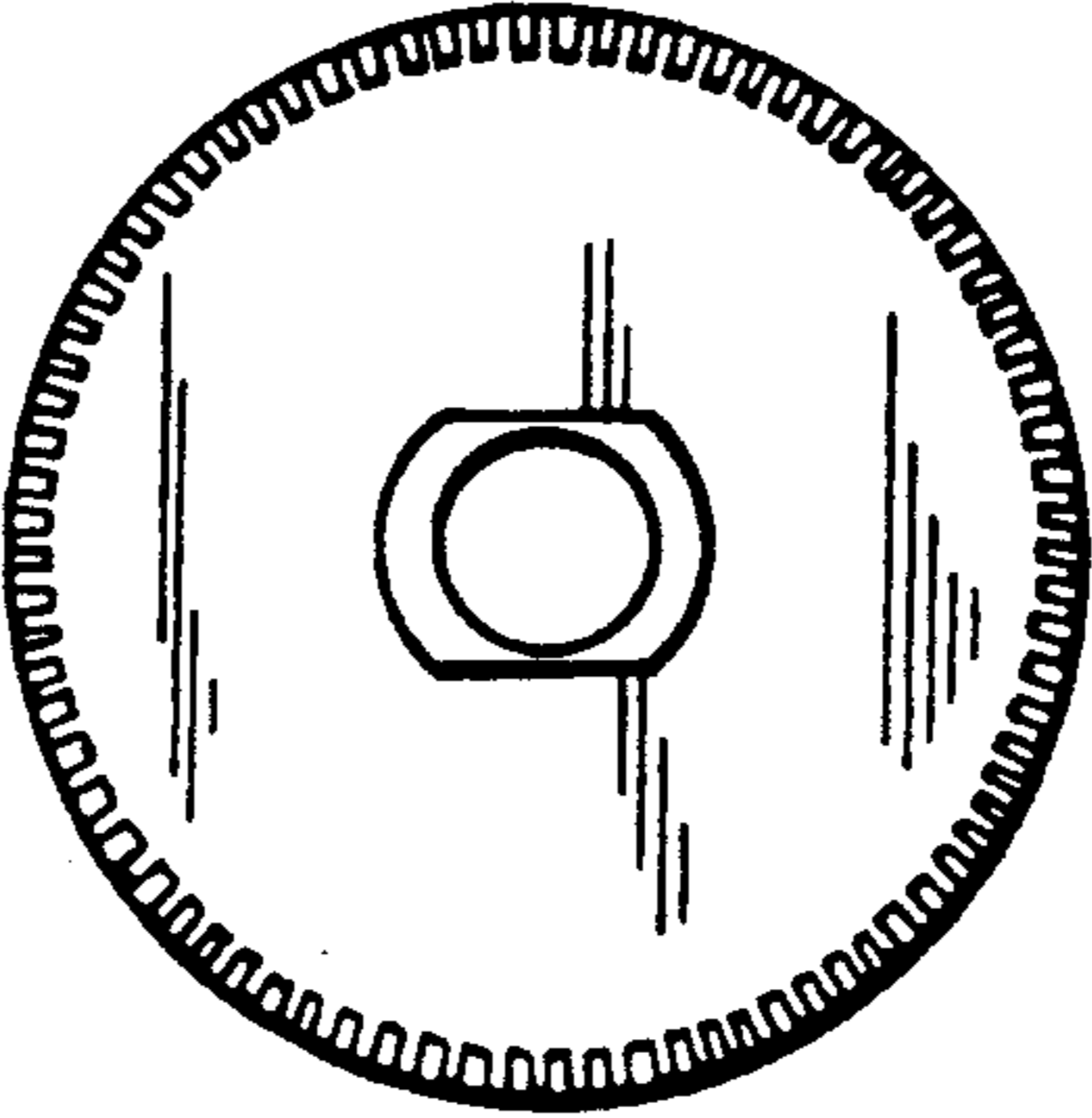


FIG. 3

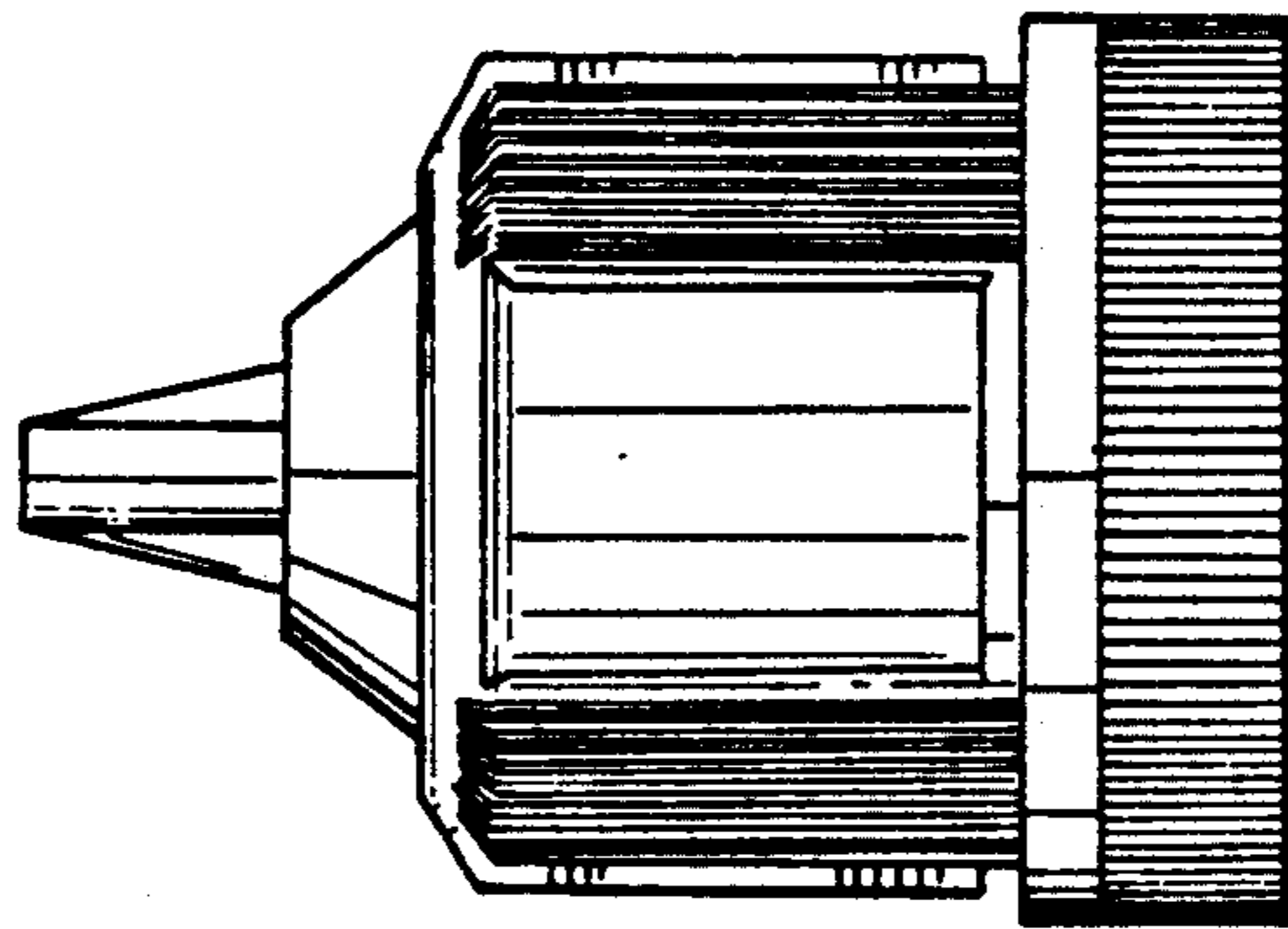


FIG. 4

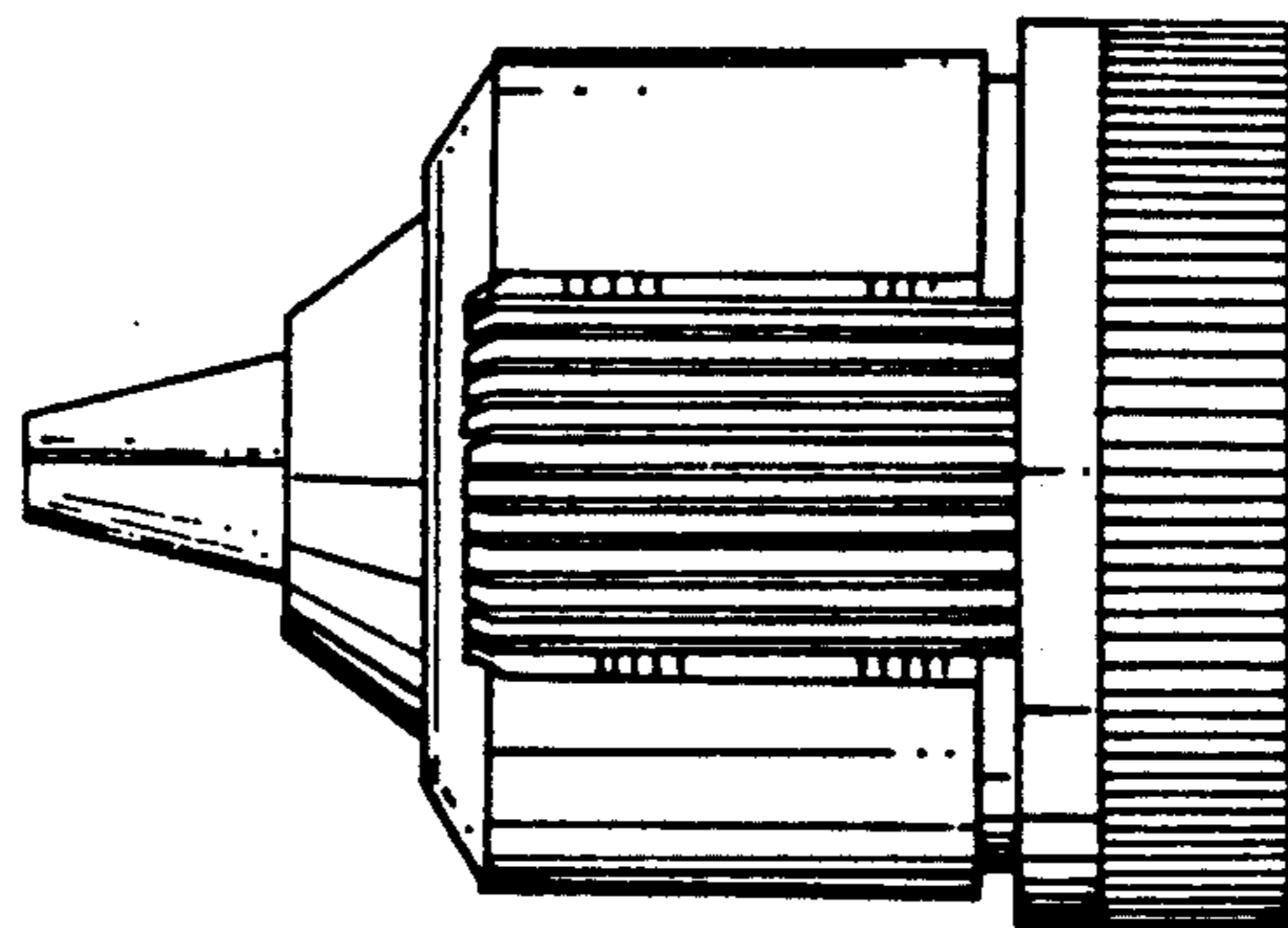


FIG. 5