



US00D332038S

United States Patent [19]
Meldrum

[11] **Patent Number: Des. 332,038**
[45] **Date of Patent: ** Dec. 29, 1992**

[54] **CHISEL MORTISER**

5,061,124 10/1991 Chen 408/135

[76] **Inventor: Laurence J. Meldrum, Snow Hill, Copthorne, West Sussex, United Kingdom, RH103EY**

Primary Examiner—Alan P. Douglas
Assistant Examiner—Jeff Musgrove
Attorney, Agent, or Firm—W. Thad Adams, III

[**] **Term: 14 Years**

[57] **CLAIM**

[21] **Appl. No.: 539,453**

The ornamental design for a chisel mortiser, as shown.

[22] **Filed: Jun. 15, 1990**

DESCRIPTION

[52] **U.S. Cl. D8/61**

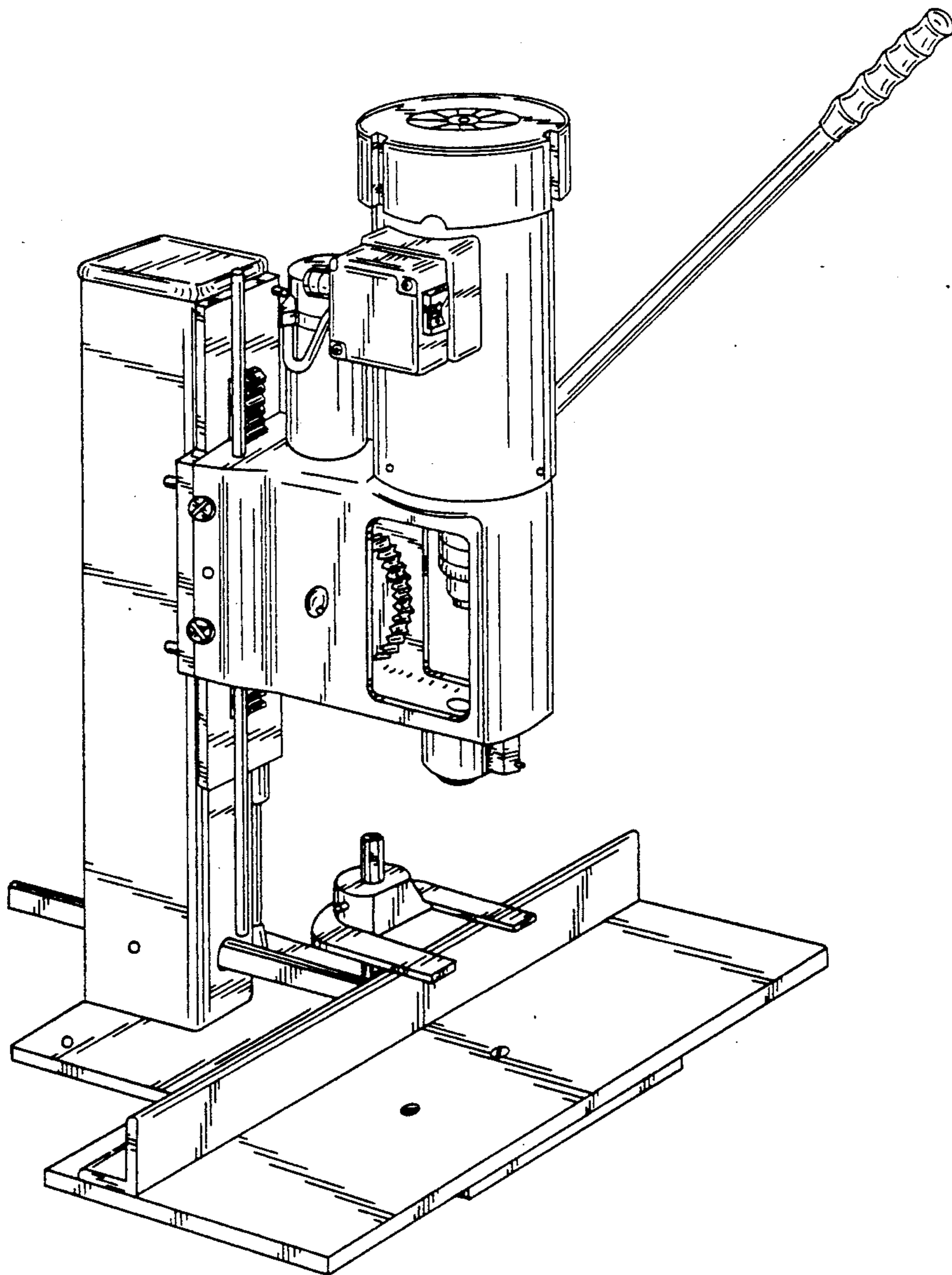
[58] **Field of Search D8/61, 71; 408/111, 408/135, 136, 110, 112, 712**

FIG. 1 is a top, front and left-side perspective view of a chisel mortiser showing my new design;
FIG. 2 is a left side elevational view thereof;
FIG. 3 is a right side elevational view thereof;
FIG. 4 is a front elevational view thereof;
FIG. 5 is a rear elevational view thereof;
FIG. 6 is a top plan view thereof; and,
FIG. 7 is a bottom plan view thereof.

[56] **References Cited**

U.S. PATENT DOCUMENTS

D. 291,528 8/1987 Degen D8/71
4,865,493 9/1989 Miller 408/111



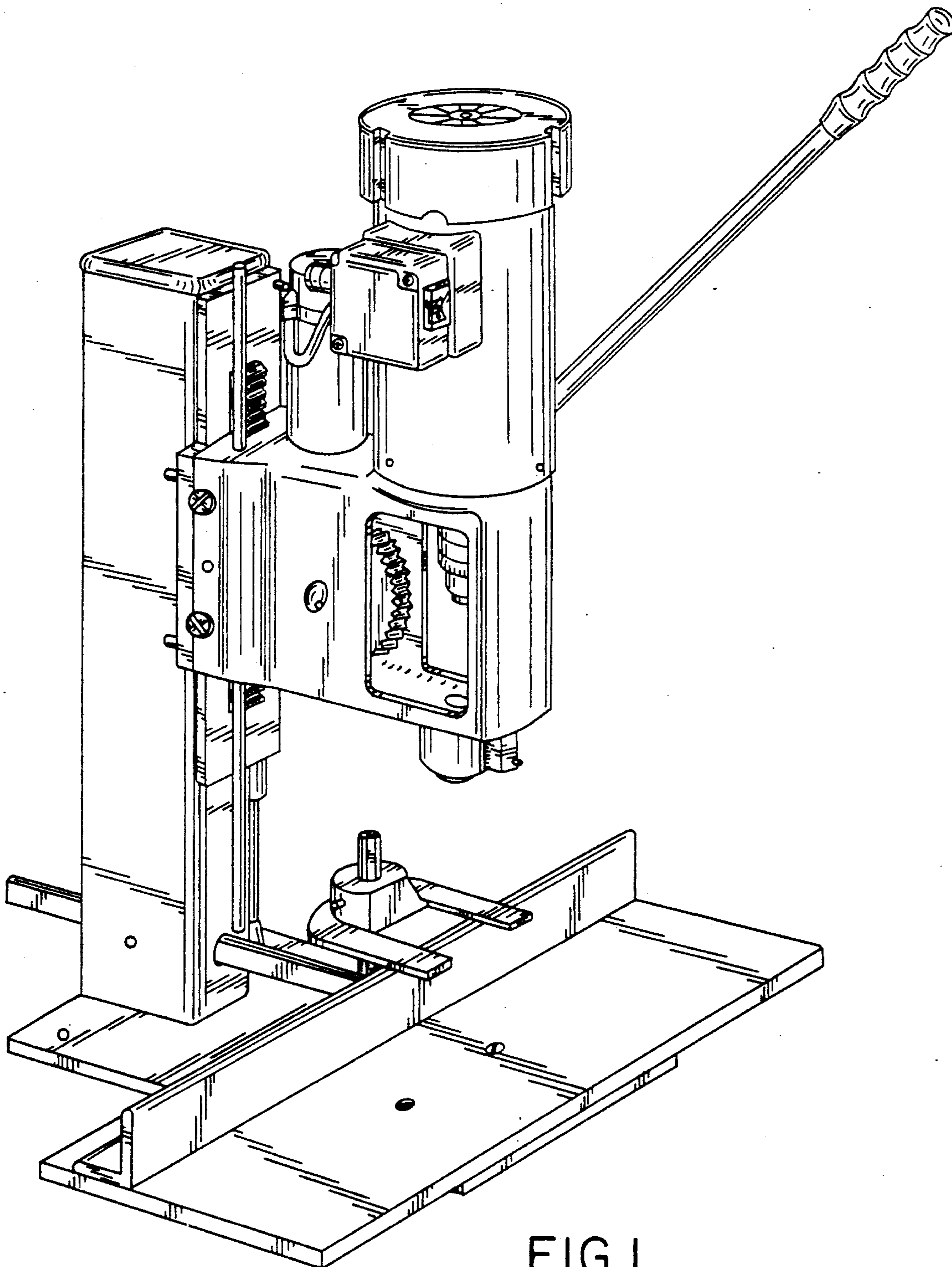


FIG. 1

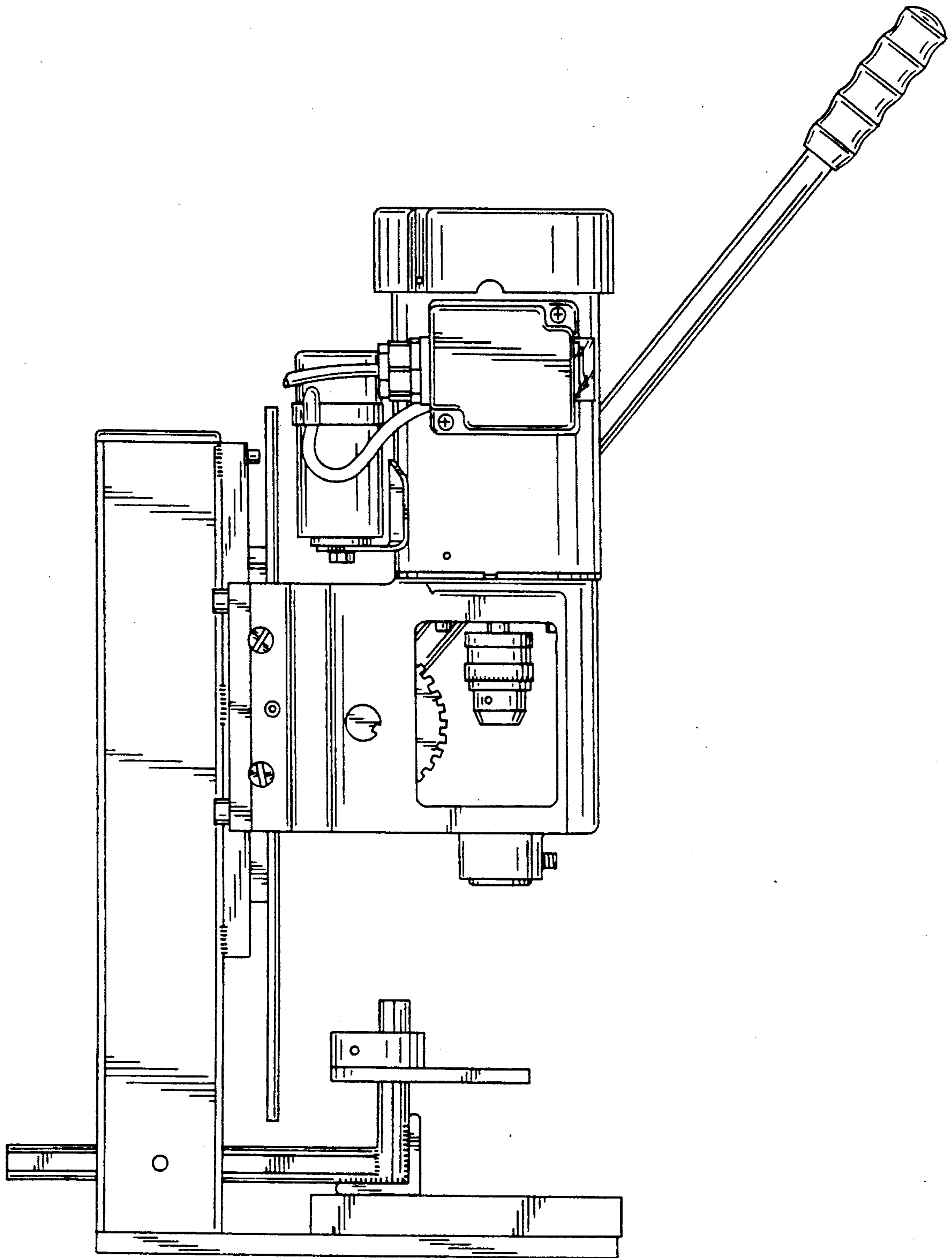


FIG.2

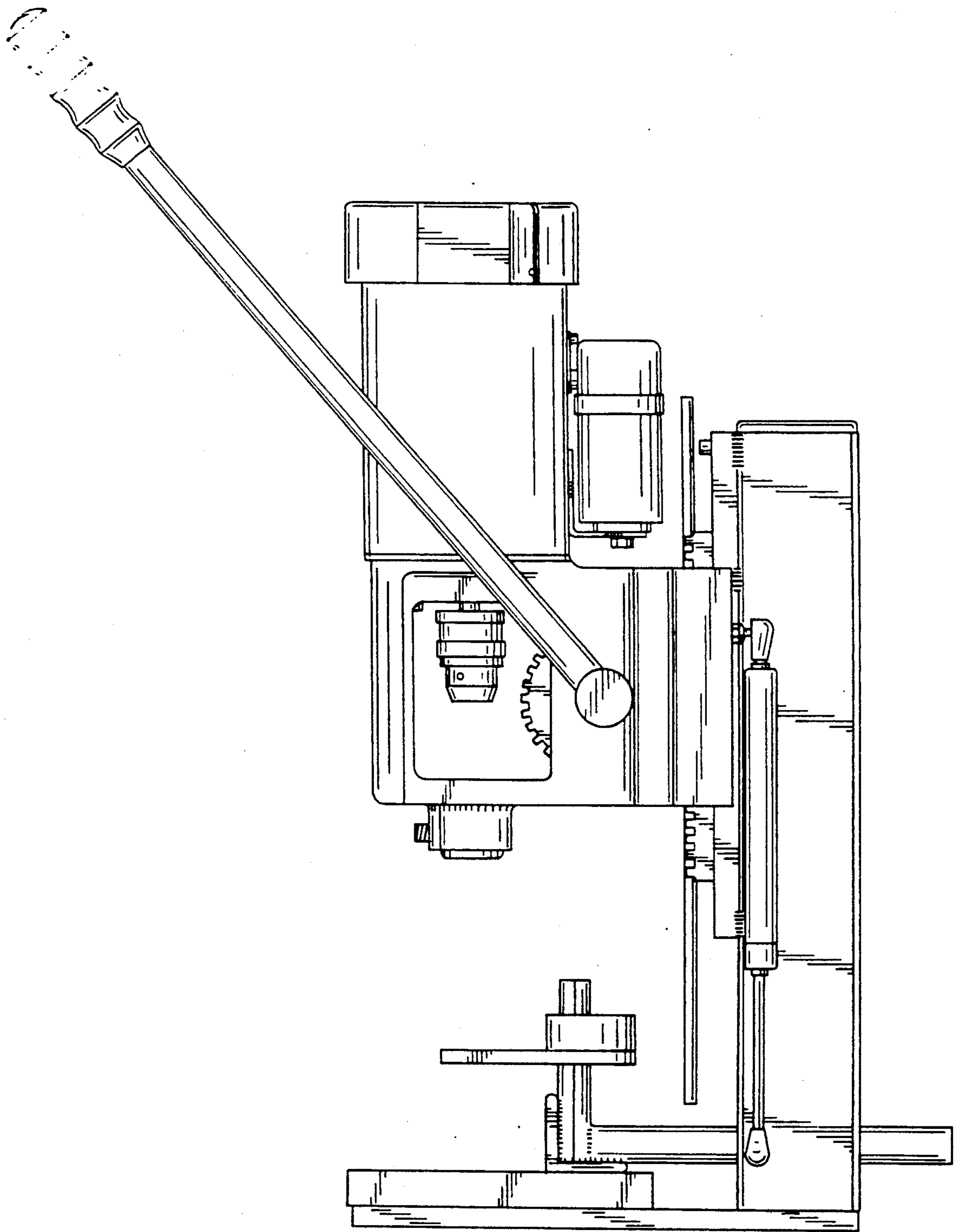


FIG. 3

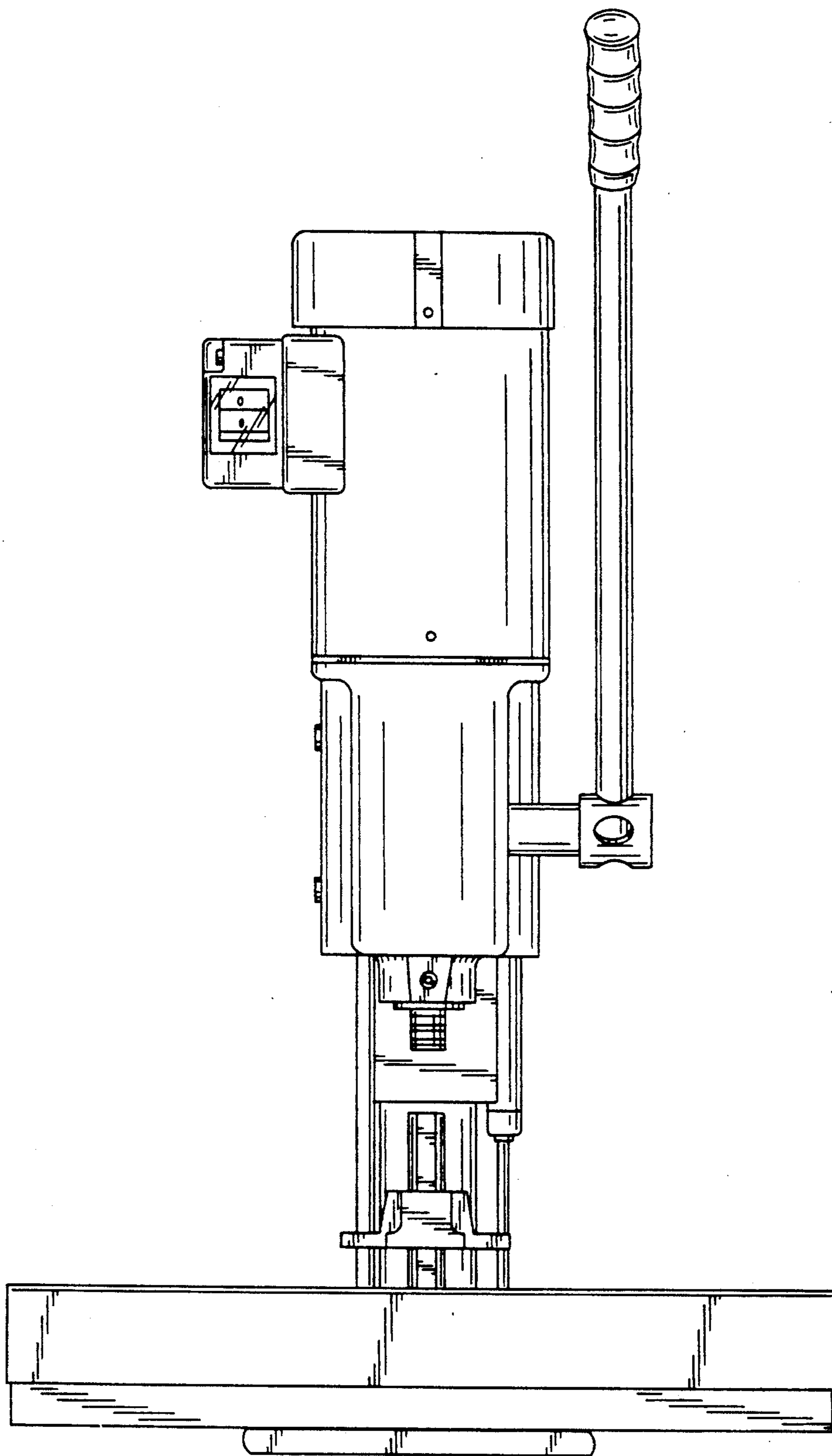


FIG. 4

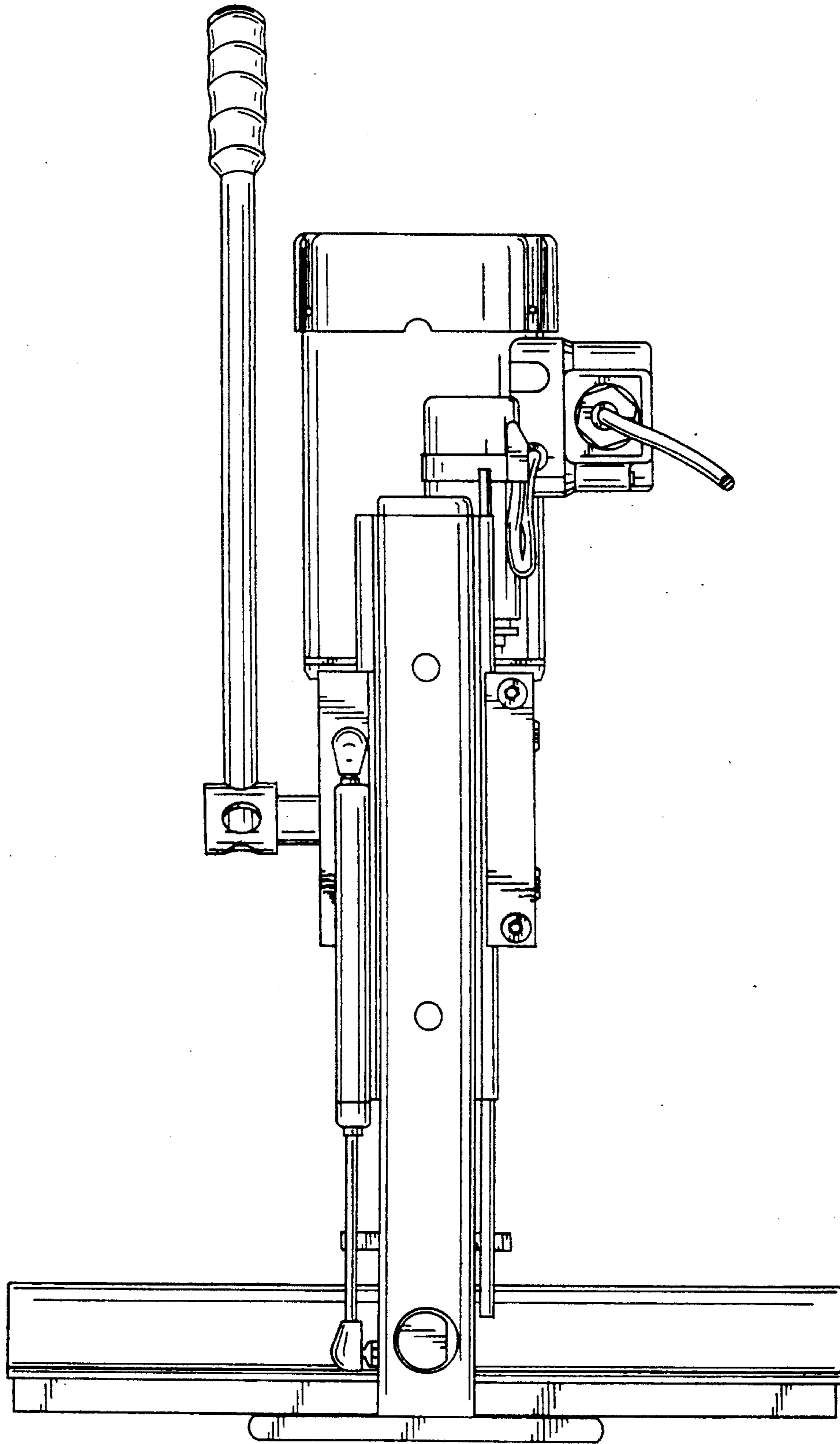


FIG. 5

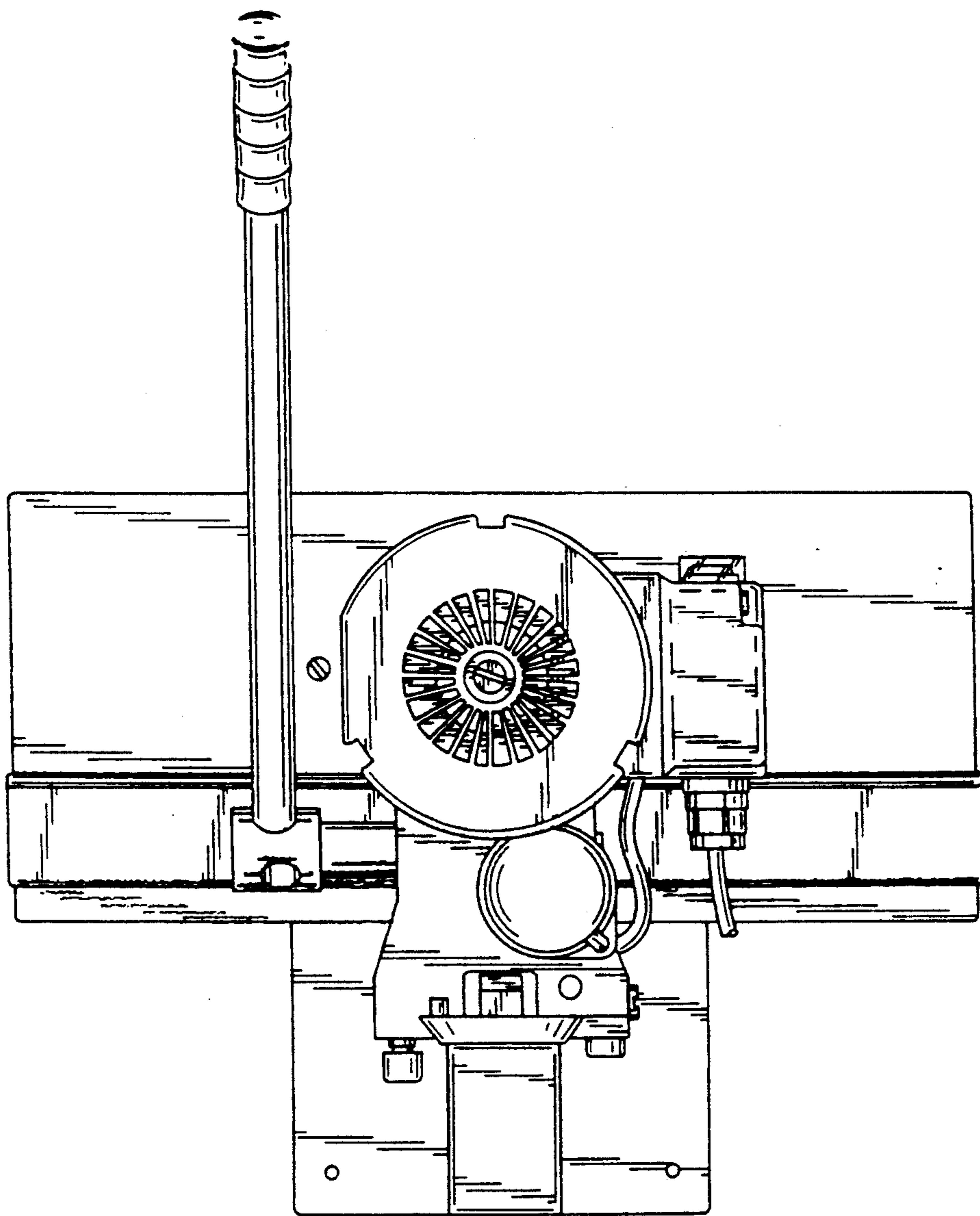


FIG.6

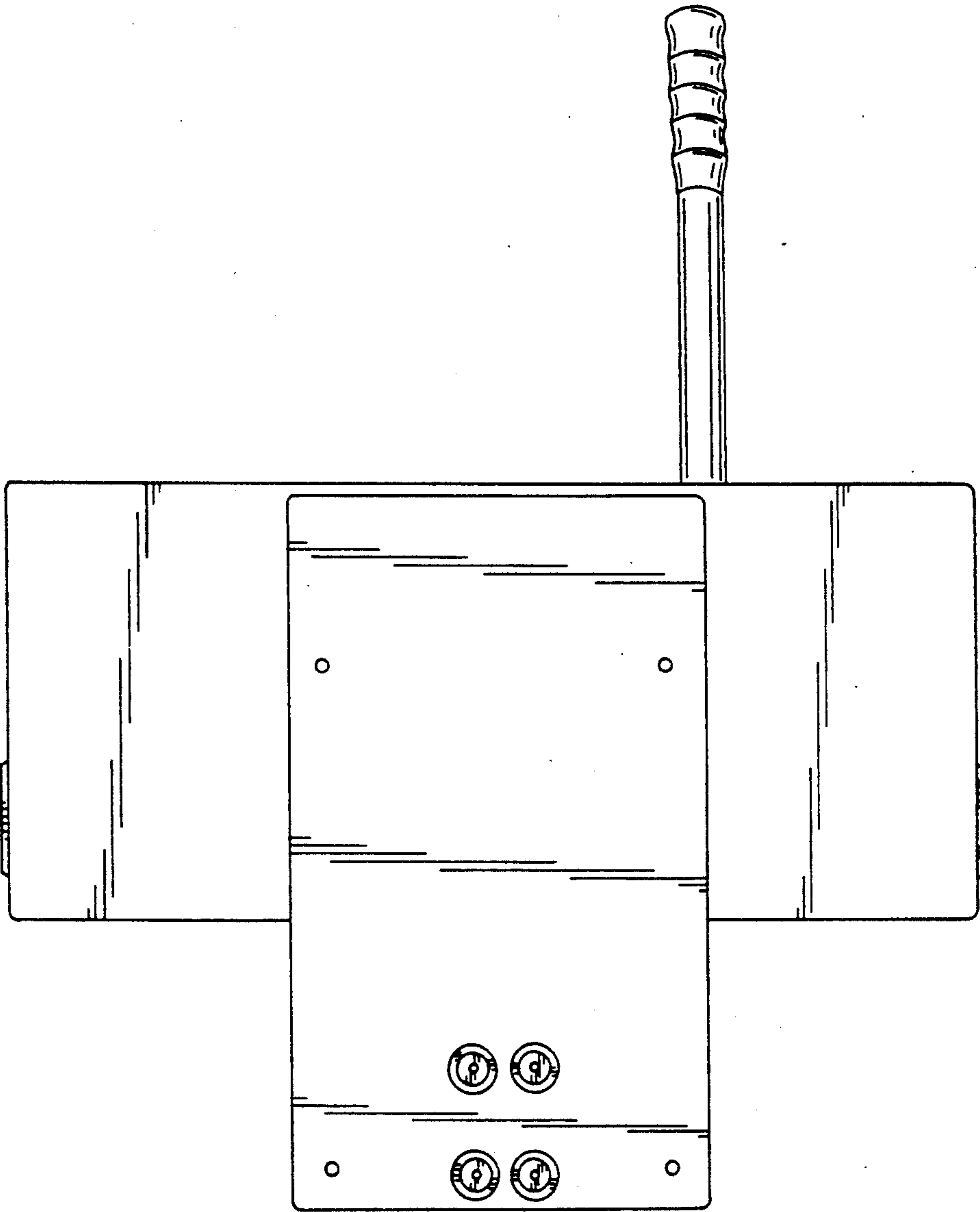


FIG.7