



US00D332035S

United States Patent [19]

[11] Patent Number: **Des. 332,035**

Pigott

[45] Date of Patent: **** Dec. 29, 1992**

[54] FUNNEL

3,982,570 9/1976 Devoe D7/700 X
4,334,557 6/1982 Yasnka D7/700 X

[76] Inventor: **James M. Pigott**, 10850 Gulfdale,
San Antonio, Tex. 78216

Primary Examiner—Terry A. Pfeffer

[**] Term: **14 Years**

[57] **CLAIM**

[21] Appl. No.: **736,114**

The ornamental design for funnel, as shown.

[22] Filed: **Jul. 26, 1991**

DESCRIPTION

[52] U.S. Cl. **D7/700**

FIG. 1 is a perspective view of a funnel showing my new design;

[58] Field of Search **D7/700; 241/95; 141/95,
141/98, 297-300, 331-345**

FIG. 2 is a top plan view thereof;

FIG. 3 is a rear elevational view thereof;

FIG. 4 is a left side elevational view thereof;

FIG. 5 is a bottom plan view thereof;

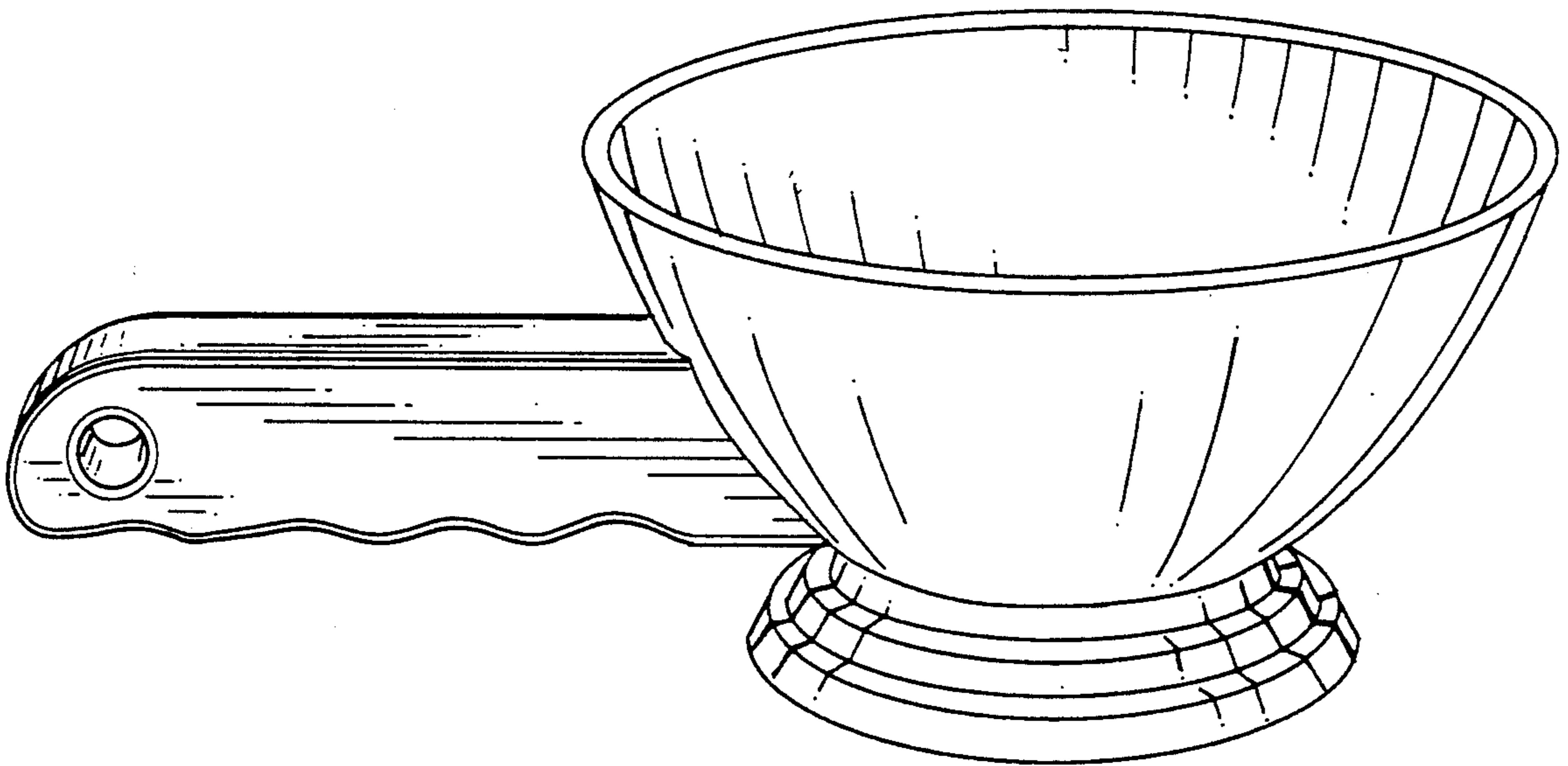
FIG. 6 is a front elevational view thereof; and,

FIG. 7 is a right side elevational view thereof.

[56] **References Cited**

U.S. PATENT DOCUMENTS

1,196,784 9/1916 Jasper 141/131 X



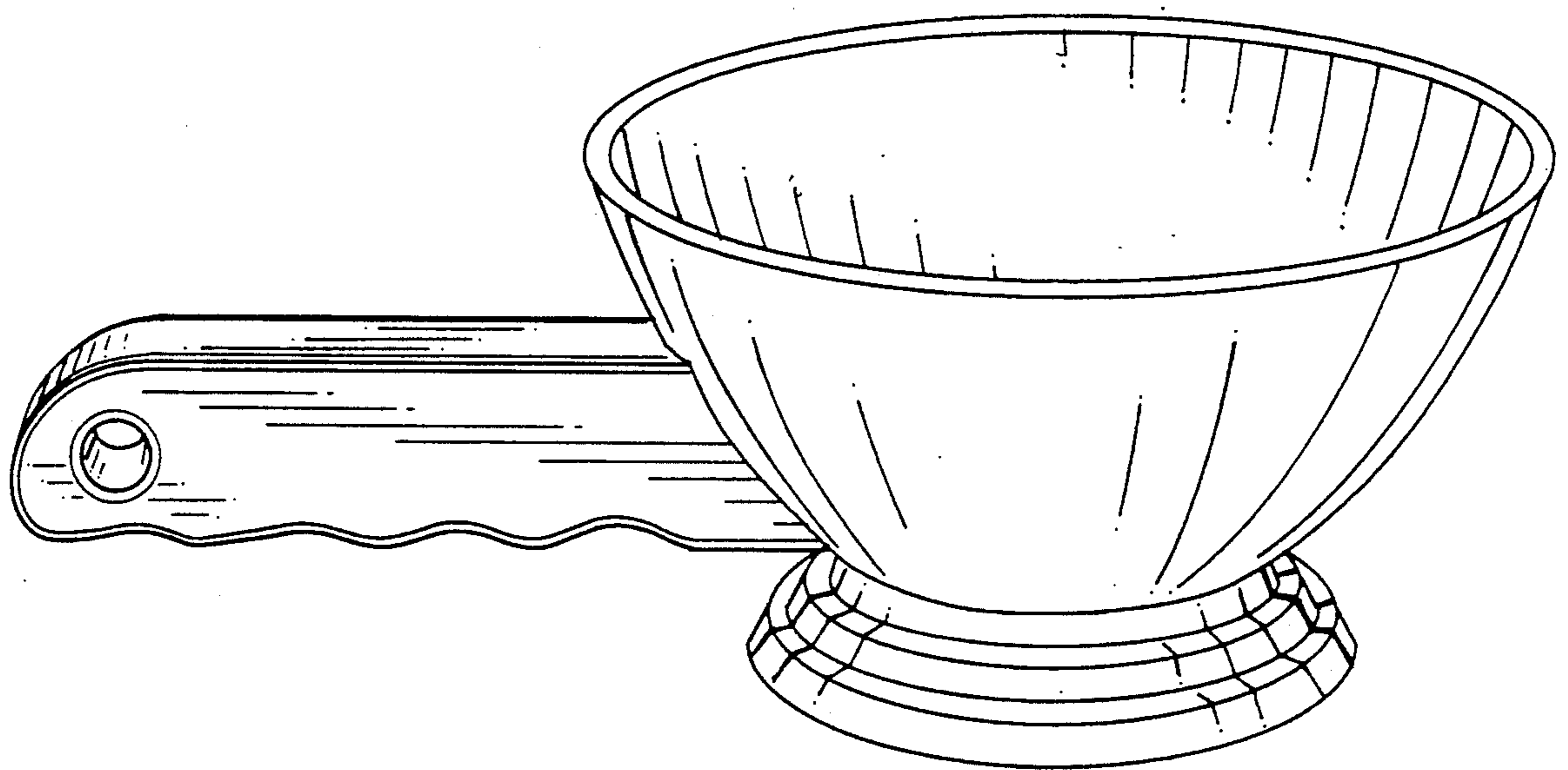


Fig. 1

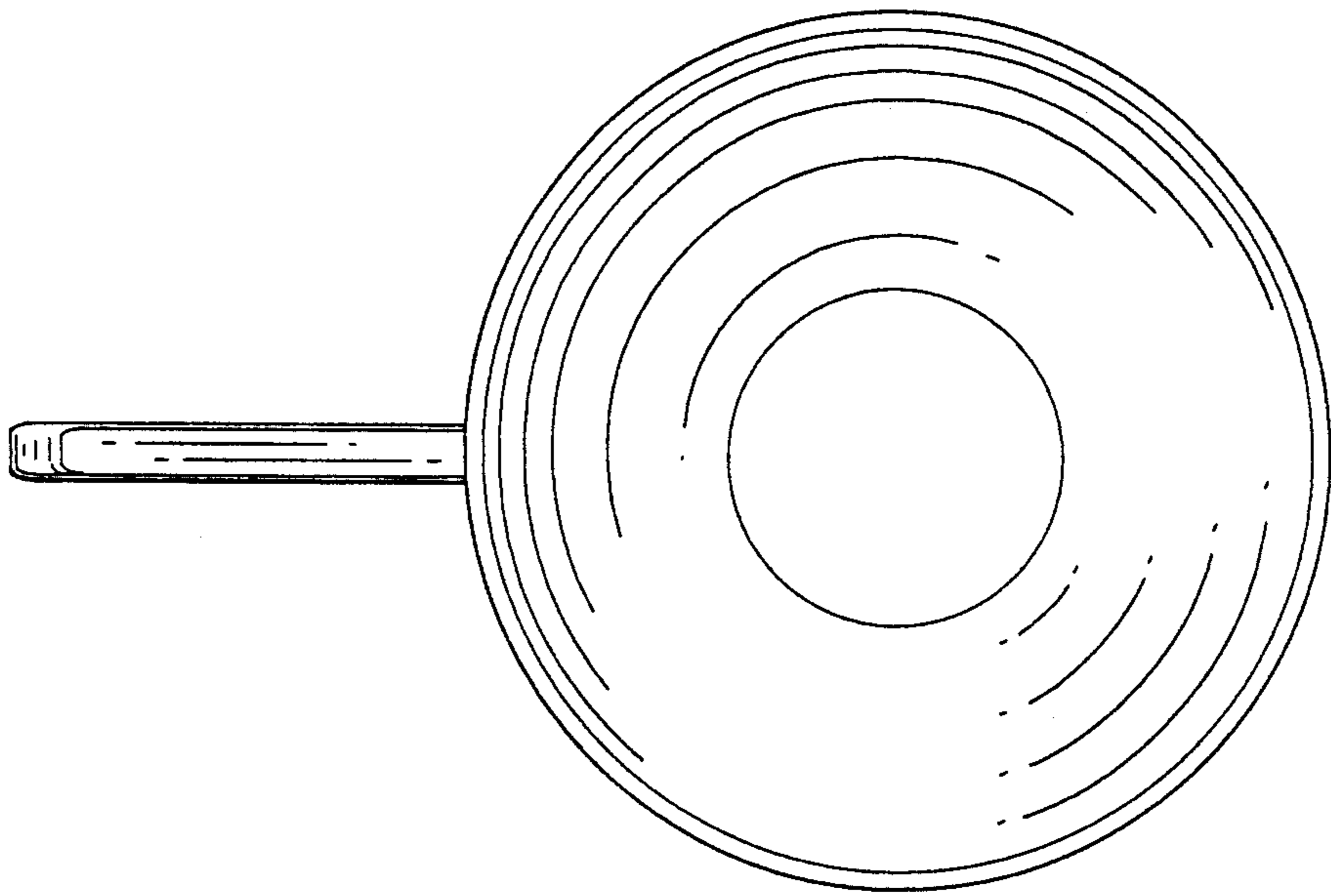


Fig. 2

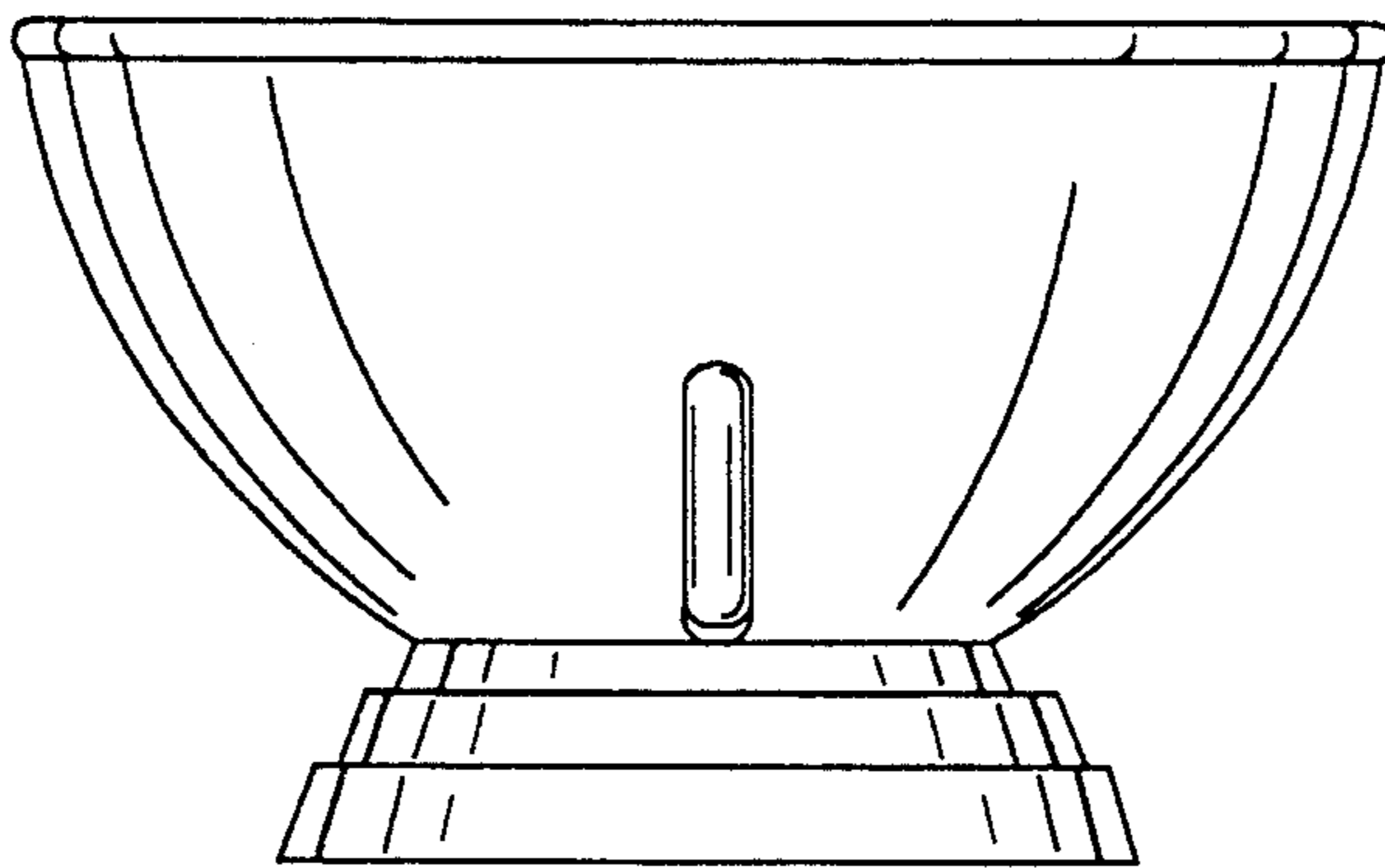


Fig. 3

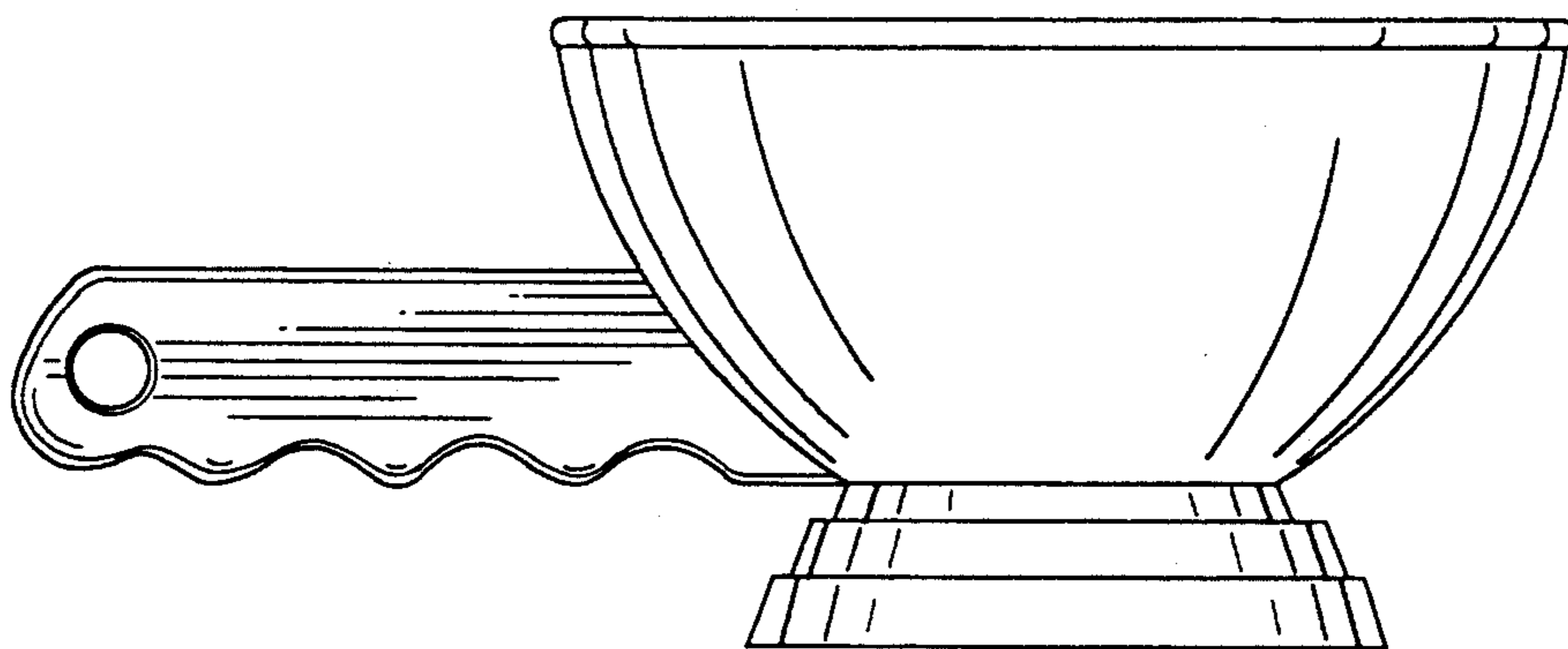


Fig. 4

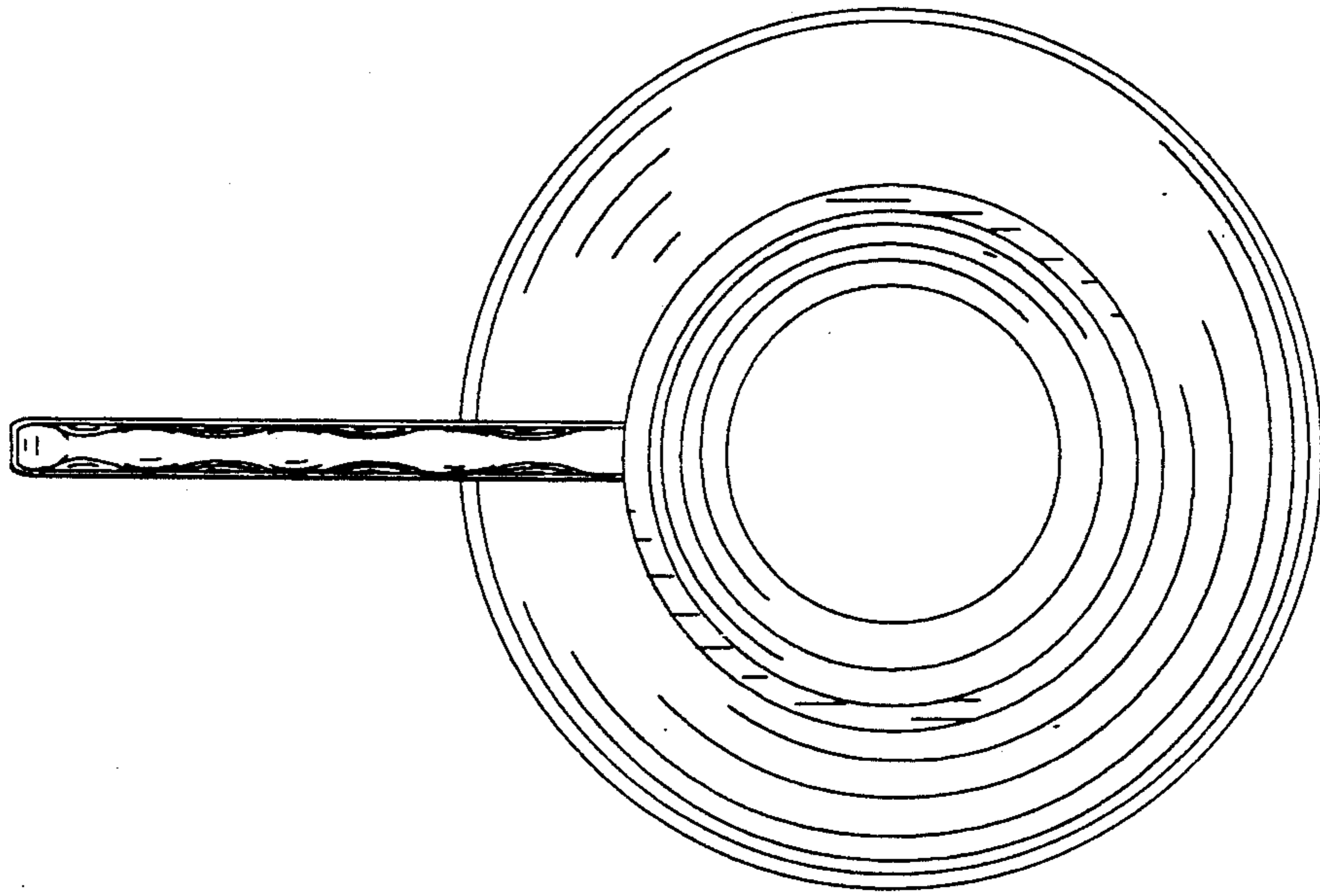


Fig. 5

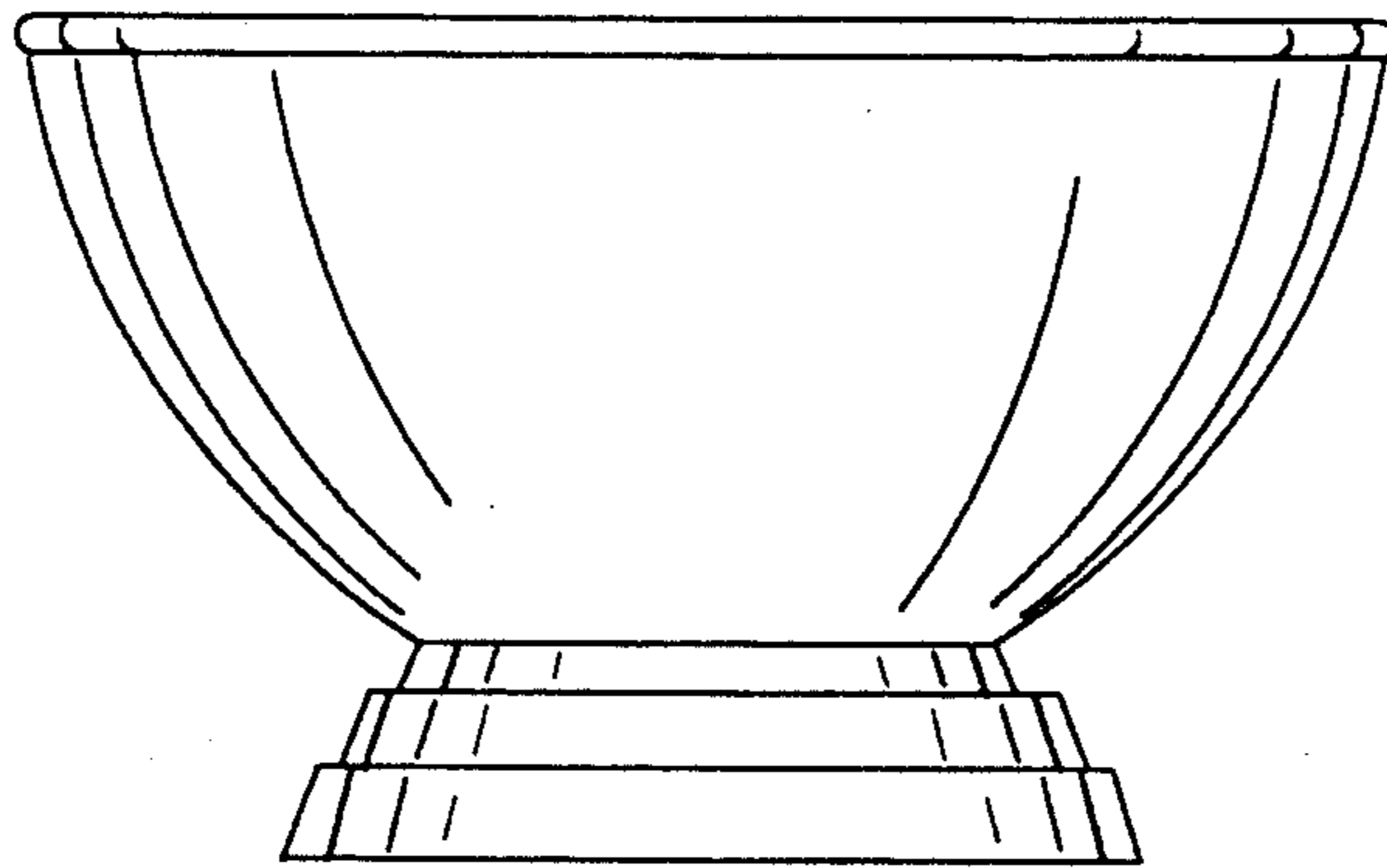


Fig. 6

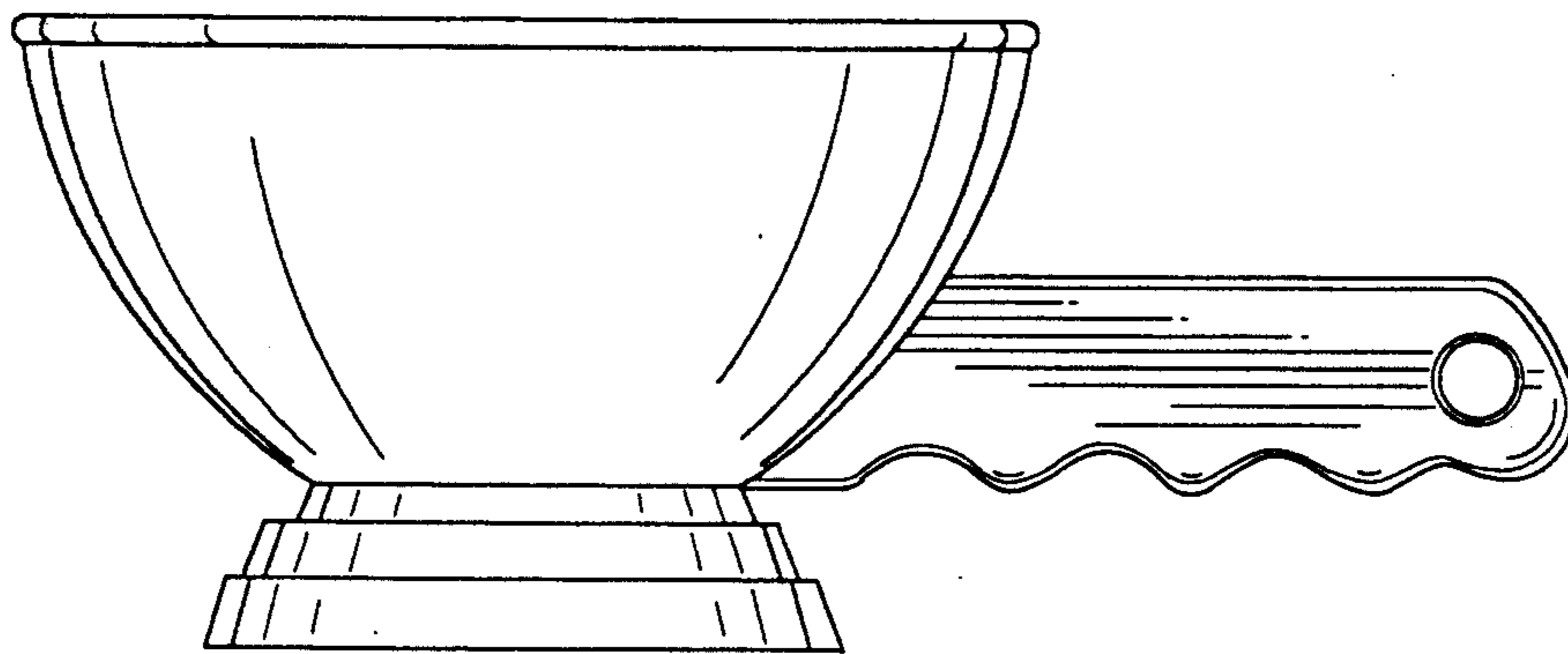


Fig. 7