



US00D332031S

United States Patent [19]

[11] Patent Number: Des. 332,031

Haupt

[45] Date of Patent: ** Dec. 29, 1992

[54] SLICING GUIDE

[76] Inventor: Michael E. Haupt, 1076 Syracuse Dr., Sunnyvale, Calif. 94087

[**] Term: 14 Years

[21] Appl. No.: 786,347

[22] Filed: Nov. 1, 1991

[52] U.S. Cl. D7/673

[58] Field of Search D7/672-677;
30/289; 83/454, 455, 762; 269/295

[56] **References Cited**

U.S. PATENT DOCUMENTS

- D. 135,413 4/1943 De Long D7/673
- D. 135,564 4/1943 Townsley D7/673

- D. 253,329 11/1979 Latham D7/673
- D. 253,744 12/1979 Davis D7/673

Primary Examiner—Terry A. Pfeffer
Attorney, Agent, or Firm—Rosenblum, Parish & Isaac

[57] **CLAIM**

The ornamental design for a slicing guide, as shown and described.

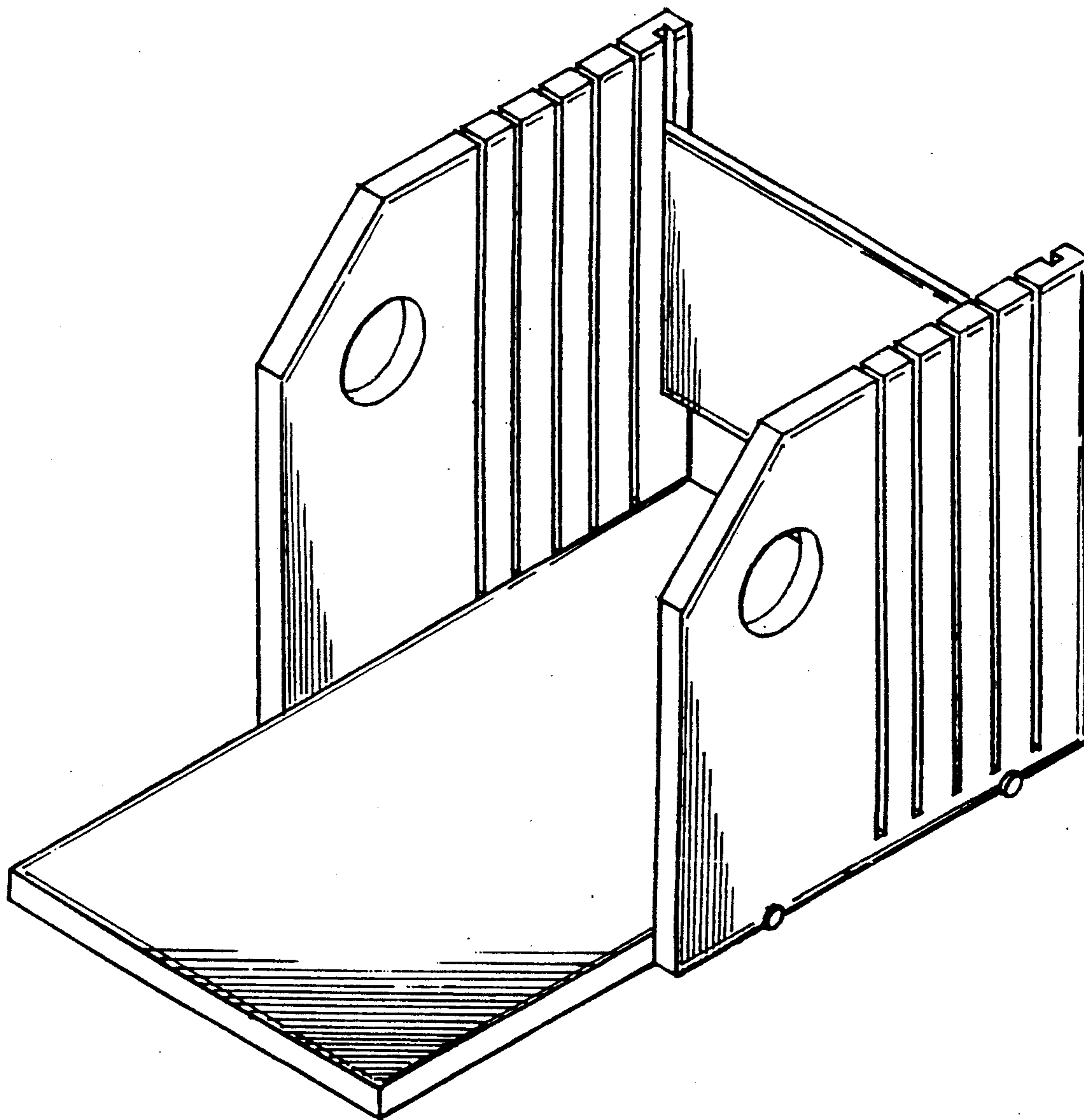
DESCRIPTION

FIG. 1 is a perspective view of the slicing guide showing my new design;

FIG. 2 is a left side elevational view thereof, the right side elevational view being a mirror image; and,

FIG. 3 is a front elevational view thereof, the rear elevational view being a mirror image.

The undisclosed bottom view is and unornamented.



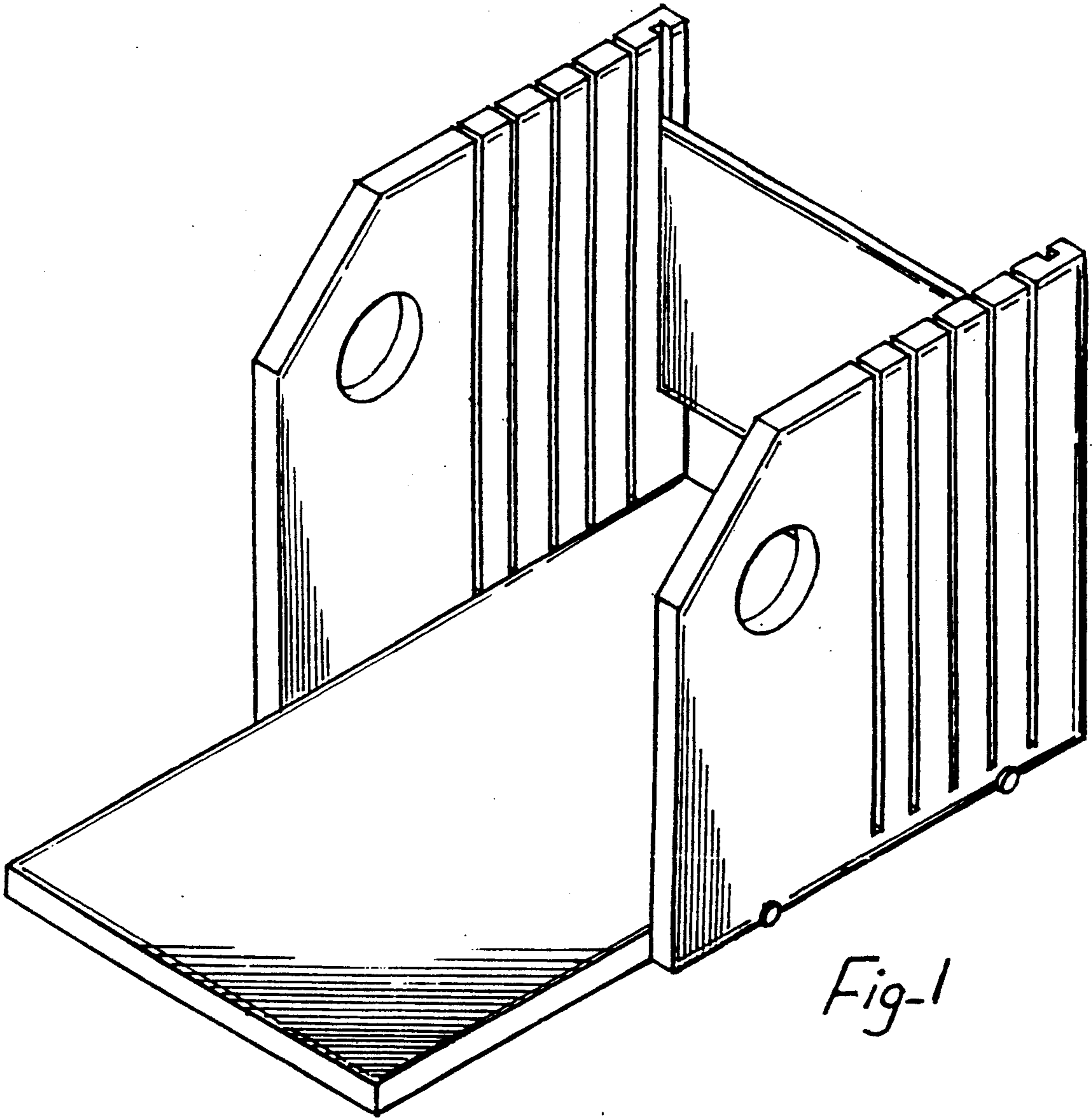


Fig-1

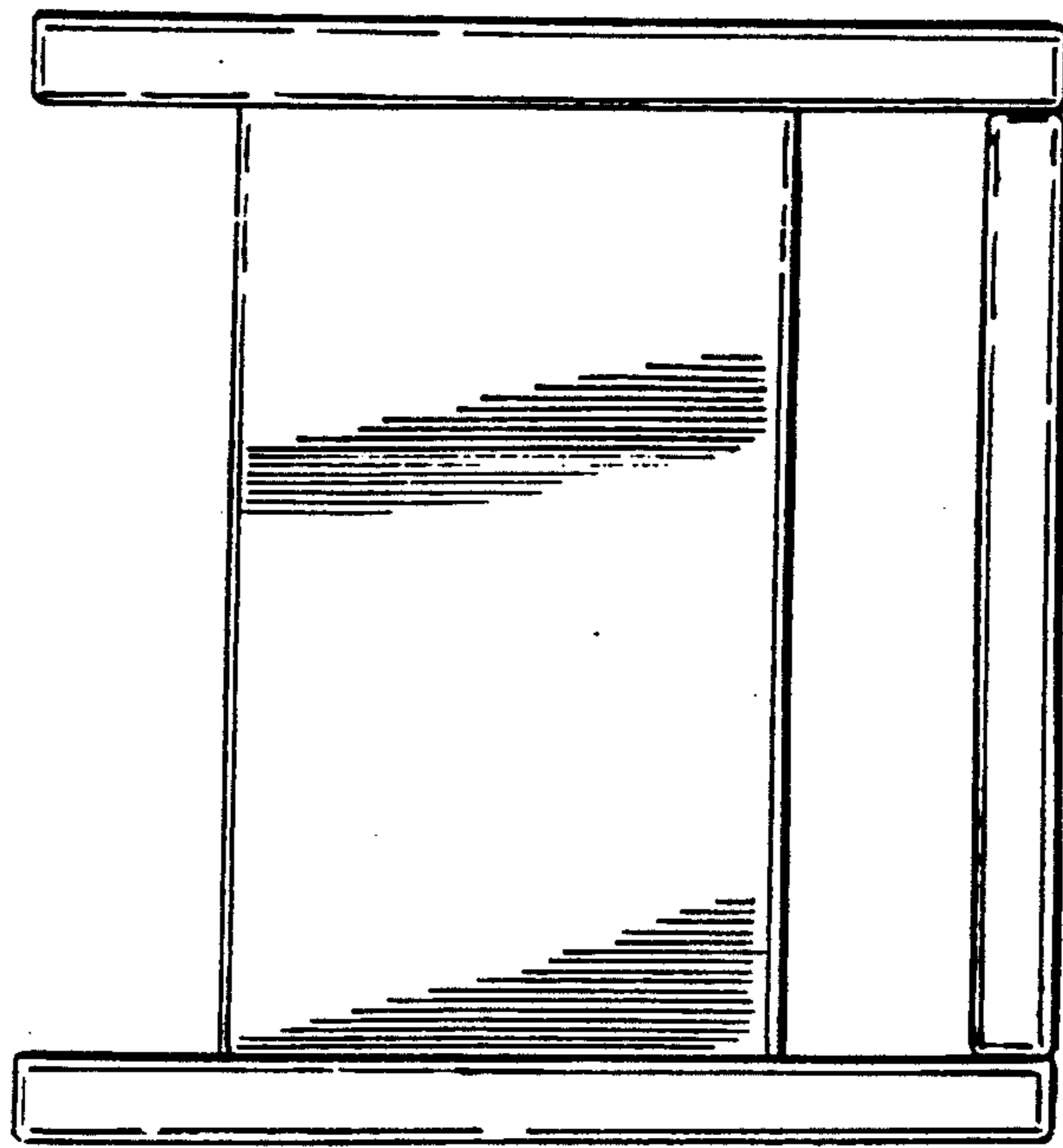


Fig-3

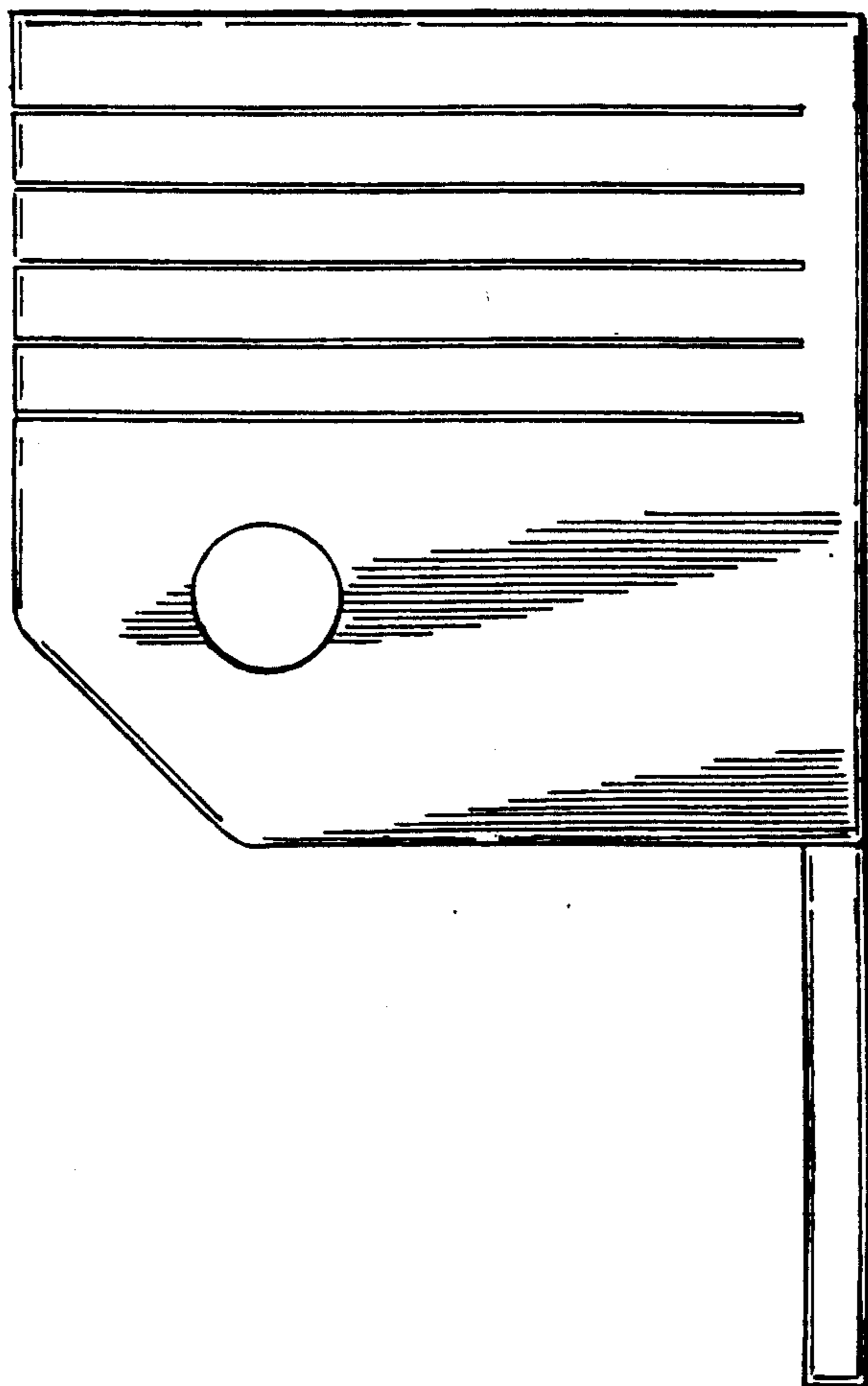


Fig-2