



US00D332023S

United States Patent [19]

[11] Patent Number: **Des. 332,023**

Campbell

[45] Date of Patent: **** Dec. 29, 1992**

[54] **ROLL PAPER TOWEL DISPENSER CABINET**

[75] Inventor: **William E. Campbell, Antioch, Calif.**

[73] Assignee: **James River II, Inc., Richmond, Va.**

[**] Term: **14 Years**

[21] Appl. No.: **648,378**

[22] Filed: **Jan. 31, 1991**

[52] U.S. Cl. **D6/522**

[58] Field of Search **D6/515, 518, 520, 522-523; 312/37-39; 242/55.2, 55.3, 55.53; 211/45; 206/389, 391**

D. 312,180 11/1990 Perrin et al. D6/522
3,843,218 10/1974 Krueger et al. 242/55.53 X
4,358,169 11/1982 Filipowicz et al. 242/55.53 X

Primary Examiner—Brian N. Vinson
Attorney, Agent, or Firm—Thomas R. Lampe

[57] **CLAIM**

The ornamental design for a roll paper towel dispenser cabinet, as shown and described

DESCRIPTION

FIG. 1 is a top, front, and left side perspective view of a roll paper towel dispenser cabinet showing my new design;

FIG. 2 is a front elevational view thereof;

FIG. 3 is a right side elevational view thereof;

FIG. 4 is a rear elevational view thereof;

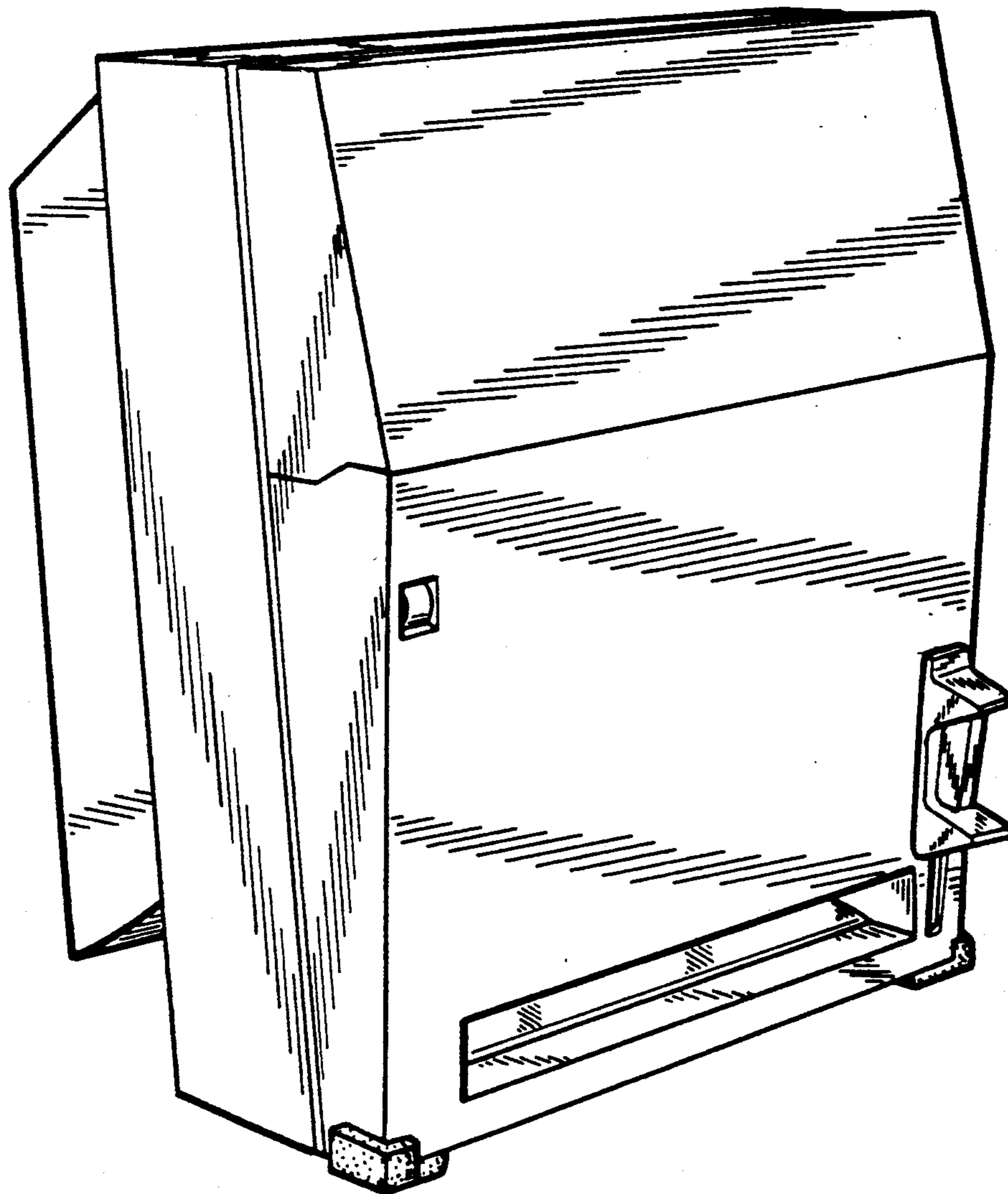
FIG. 5 is a top plan view thereof; and,

FIG. 6 is a bottom plan view thereof.

[56] **References Cited**

U.S. PATENT DOCUMENTS

D. 219,355 12/1970 Tucker et al. D6/522
D. 288,161 2/1987 Payne, Jr. et al. D6/518 X



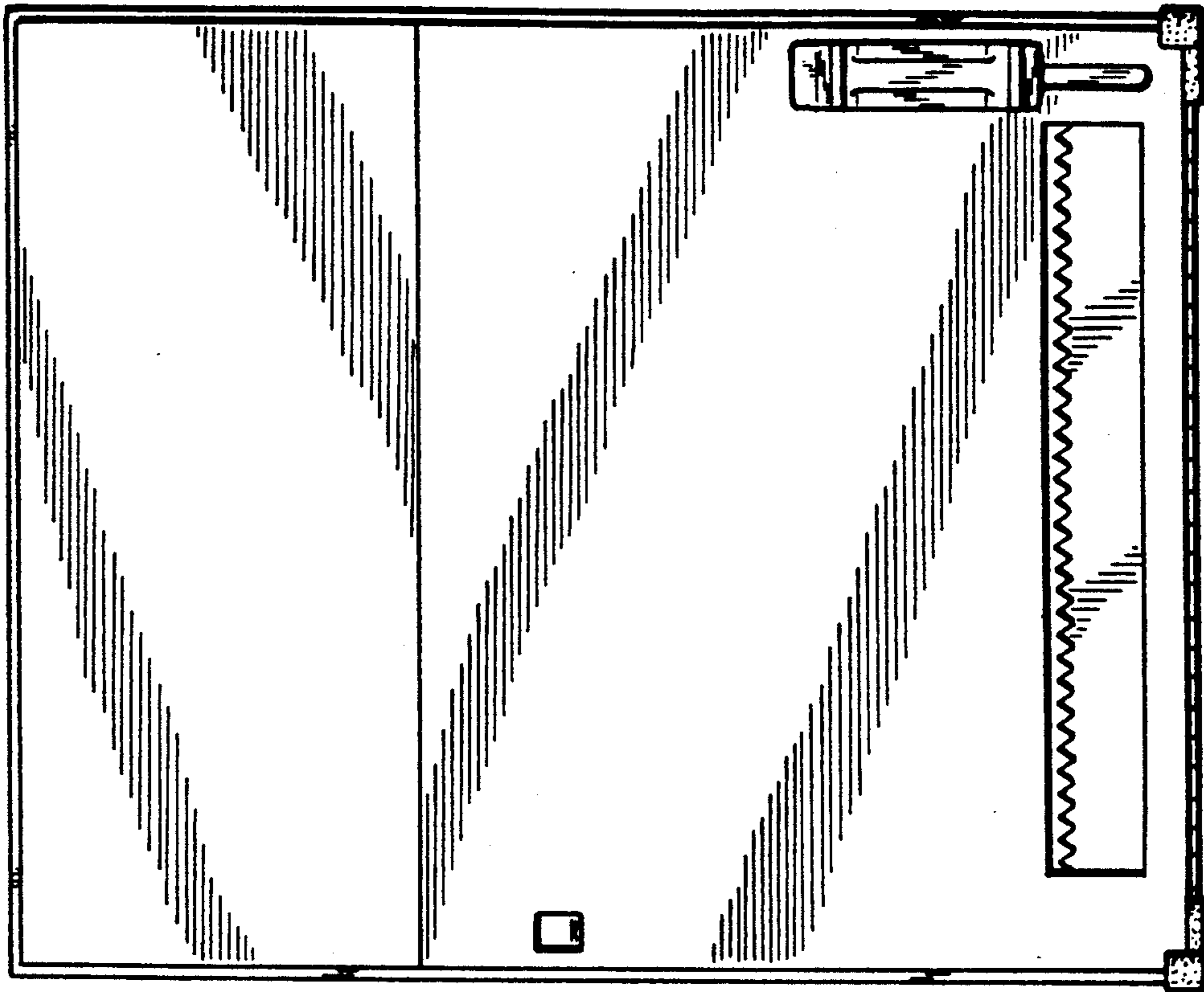


FIG.-2

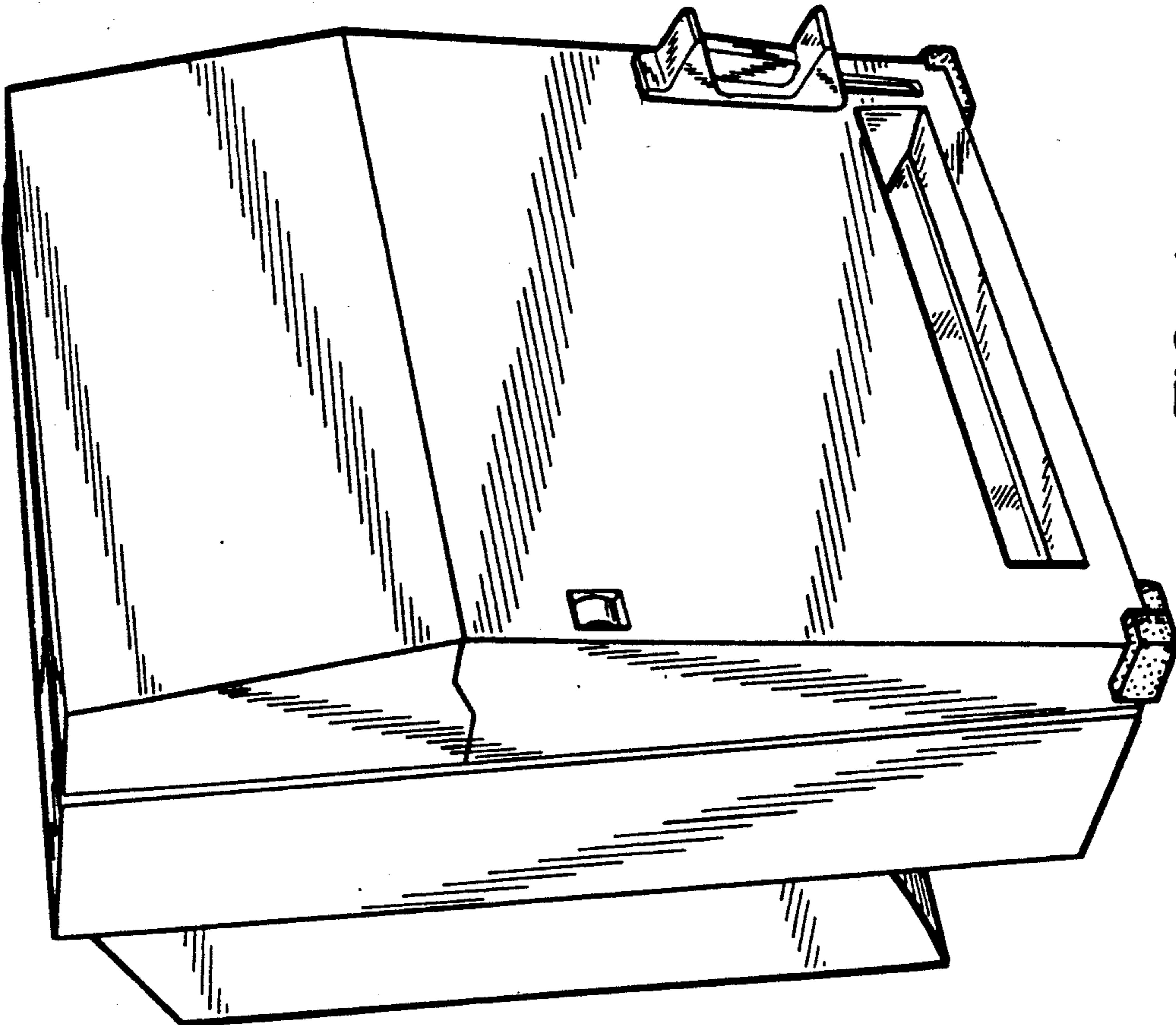


FIG.-1

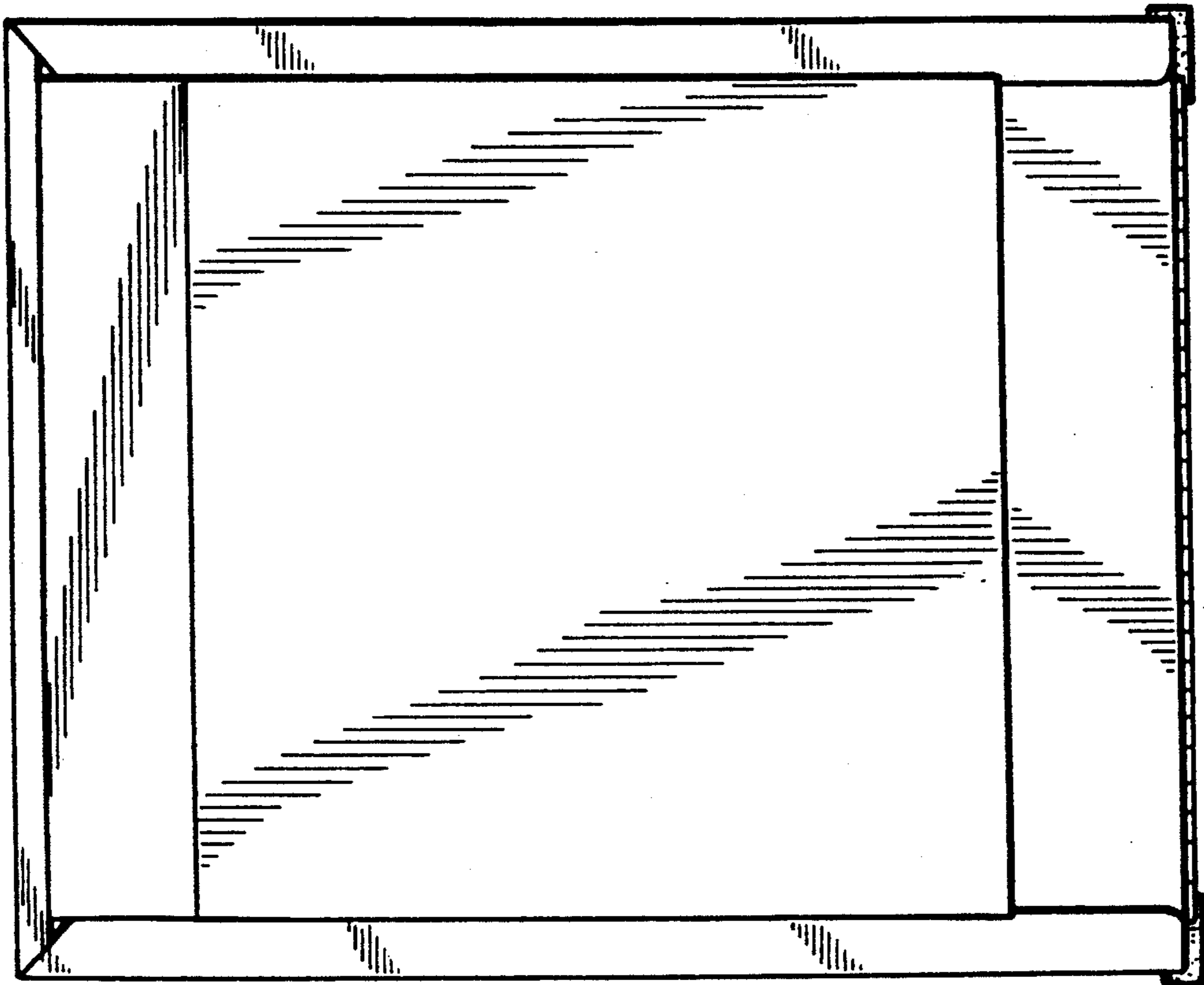


FIG.-4

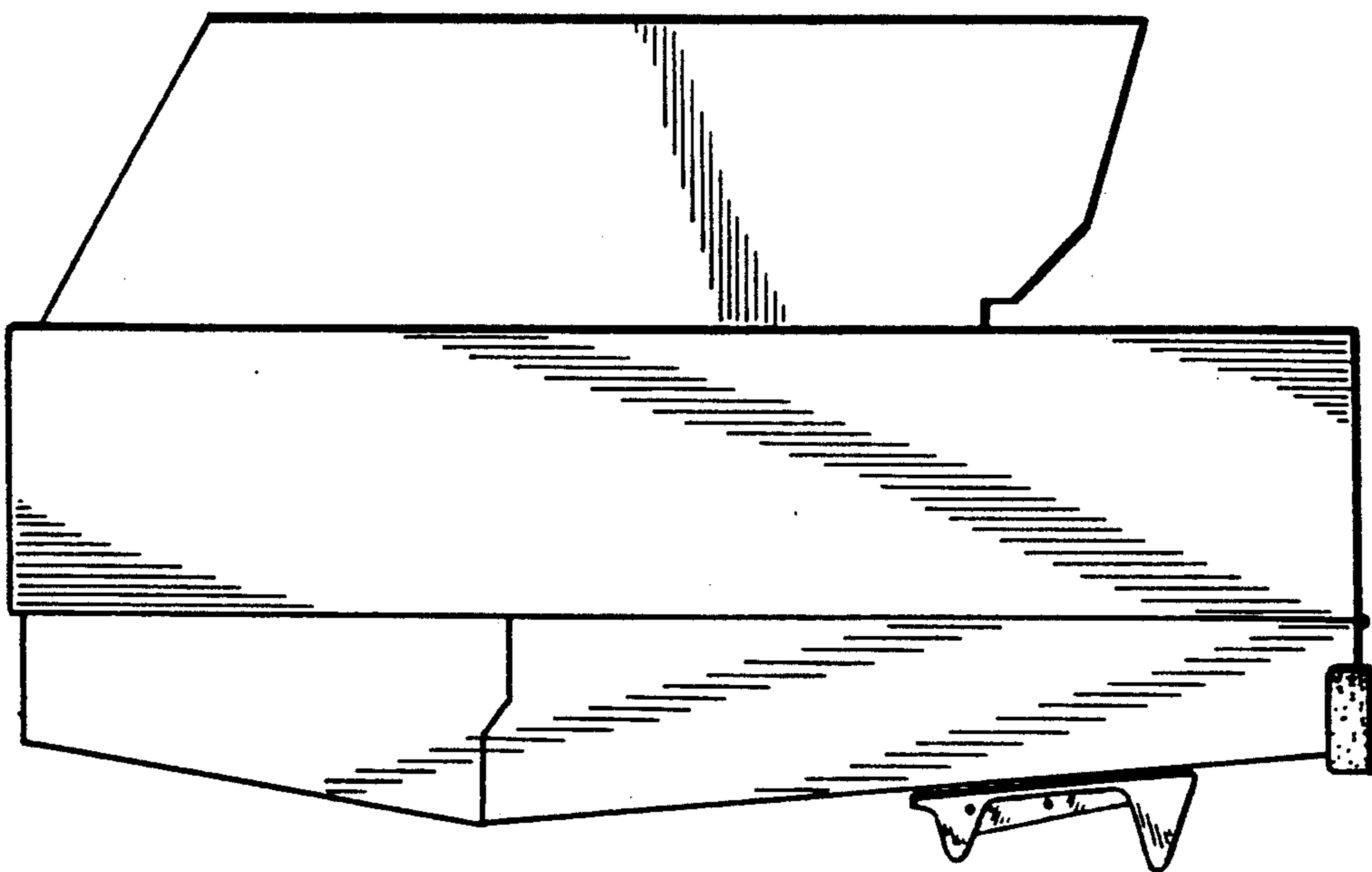


FIG.-3

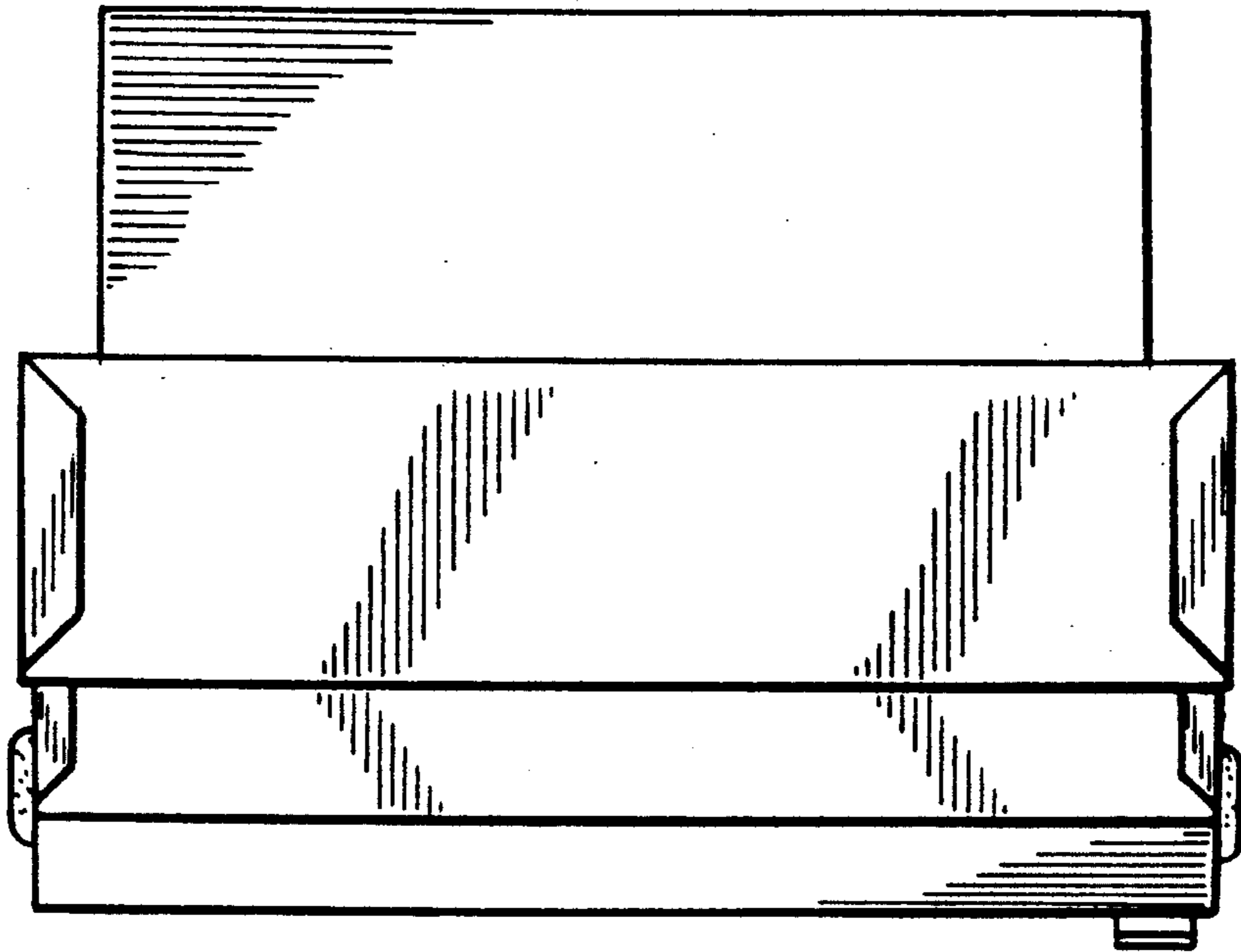


FIG. 5

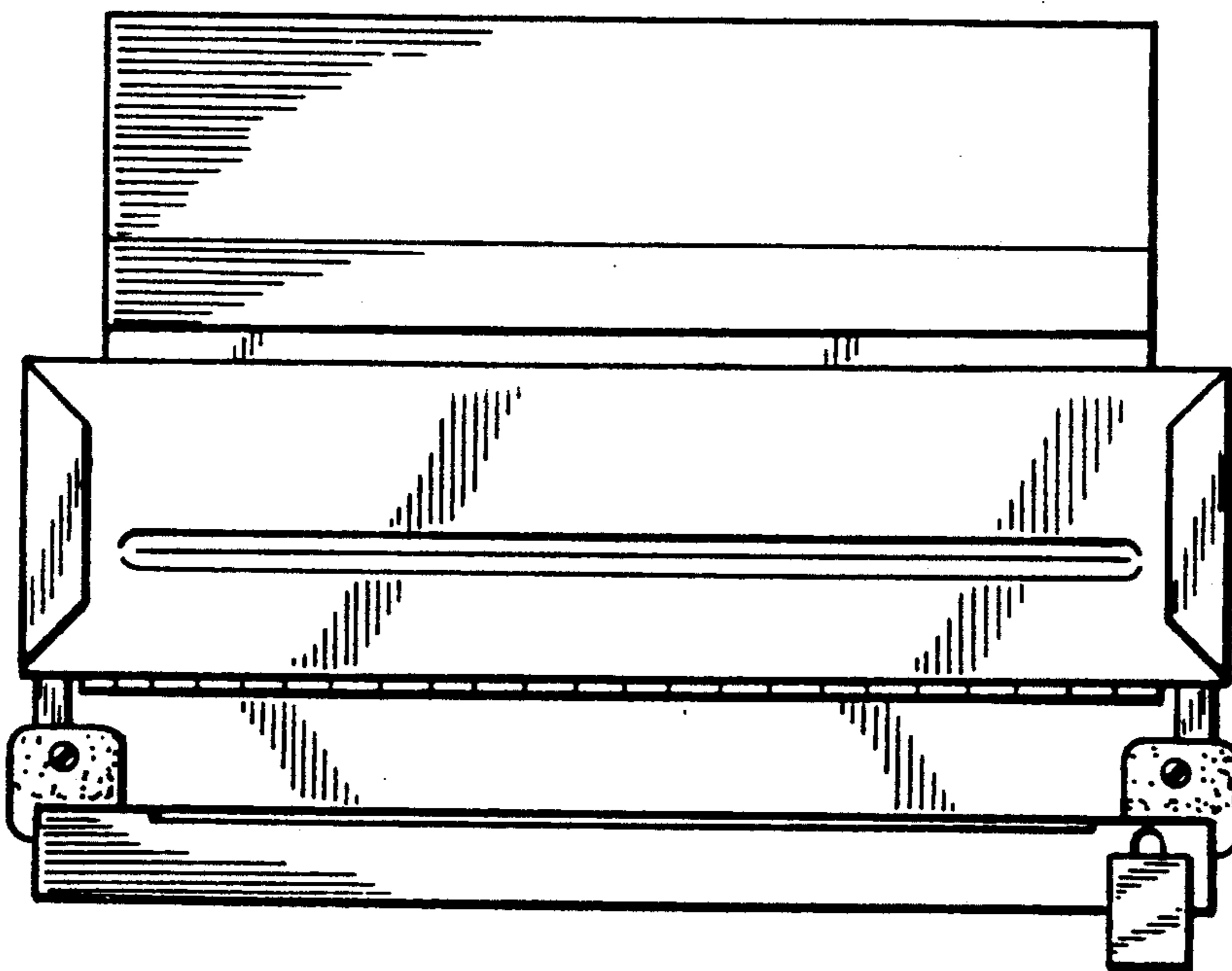


FIG. 6