



US00D332021S

United States Patent [19]

[11] Patent Number: Des. 332,021

Cugley et al.

[45] Date of Patent: ** Dec. 29, 1992

[54] DRAWER FOR A DISPLAY CONTAINER

3,064,874 11/1962 Kauffeld 312/330.1 X
3,497,907 3/1970 Colina D9/423 X
4,079,852 3/1978 Stoffregen 312/330.1 X

[75] Inventors: Derwyn Cugley, Brea; Thomas L. Evans, Laguna Nigel, both of Calif.

[73] Assignee: VSI Fasteners, Inc., Stanton, Calif.

[**] Term: 14 Years

Primary Examiner—Nelson C. Holtje
Assistant Examiner—Janice E. Seeger
Attorney, Agent, or Firm—Frederick Gotha

[21] Appl. No.: 557,504

[57] CLAIM

[22] Filed: Jul. 24, 1990

The ornamental design for a drawer for a display container, as shown and described.

[52] U.S. Cl. D6/510

[58] Field of Search D6/491, 492, 509-511;
D9/416, 420, 423; 312/330.1, 334, 348.1, 348.3,
263; 206/425

DESCRIPTION

[56] References Cited

U.S. PATENT DOCUMENTS

D. 258,422	3/1981	Mullinix	D9/416
D. 275,500	9/1984	Tyke	D6/510
D. 299,394	1/1989	Hedstrom	D6/510
D. 320,742	10/1991	Phan	D9/423
898,498	9/1908	McFadden	206/425

FIG. 1 is a perspective view of a drawer for a display container, showing our new design;
FIG. 2 is a top plan view thereof;
FIG. 3 is a front elevational view thereof;
FIG. 4 is a rear elevational view thereof;
FIG. 5 is a right side elevational view, the left side being a mirror image thereof;
FIG. 6 is a bottom plan view thereof; and,
FIG. 7 is a perspective view of the drawer for a display container in open condition.

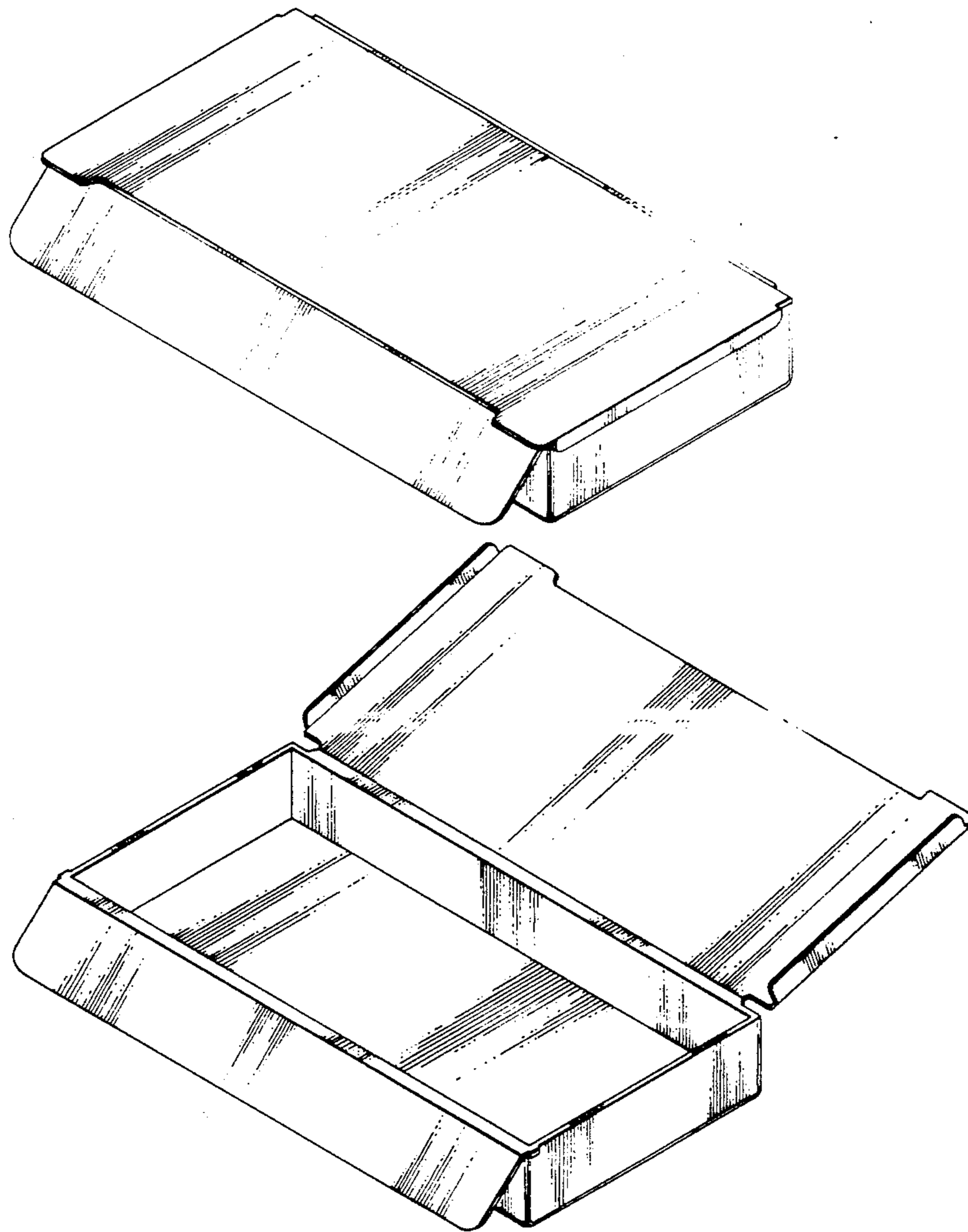
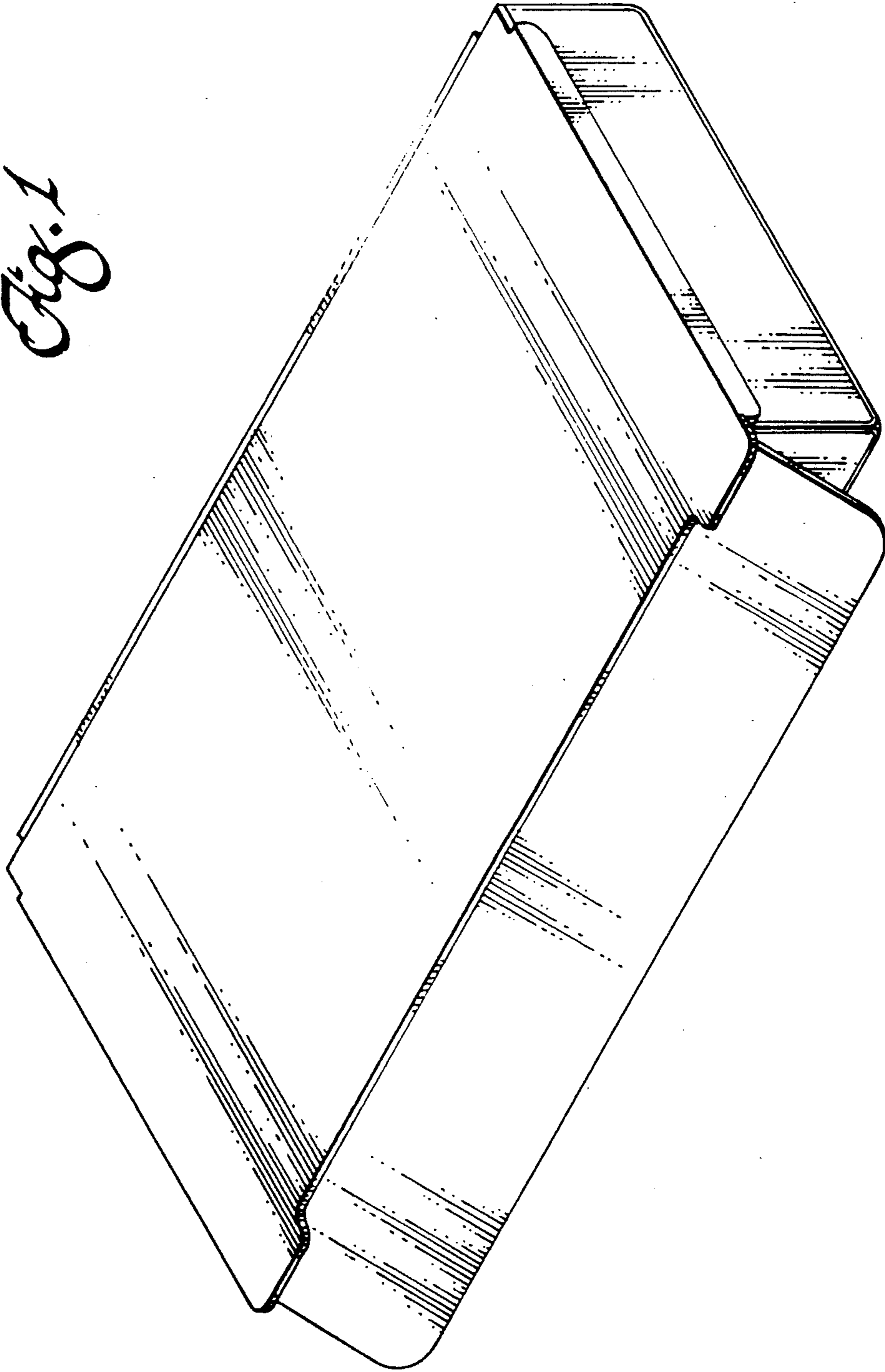


Fig. 1



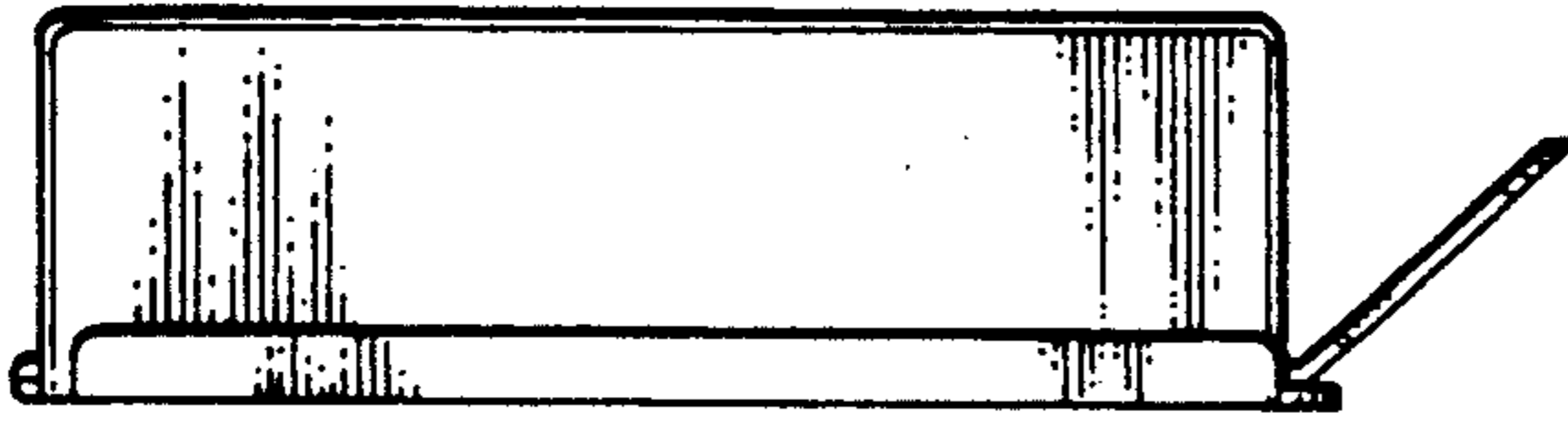


Fig. 5

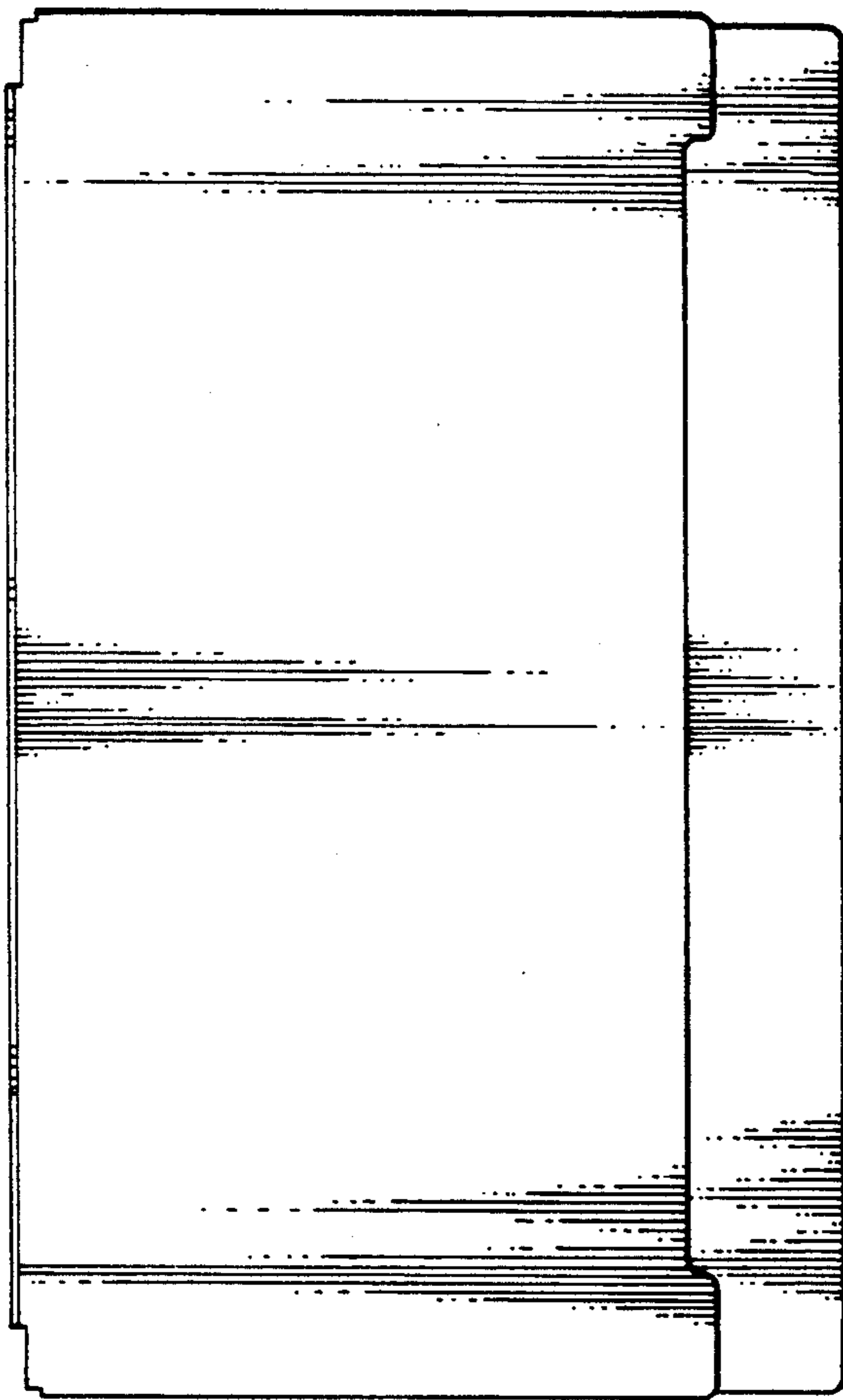


Fig. 2

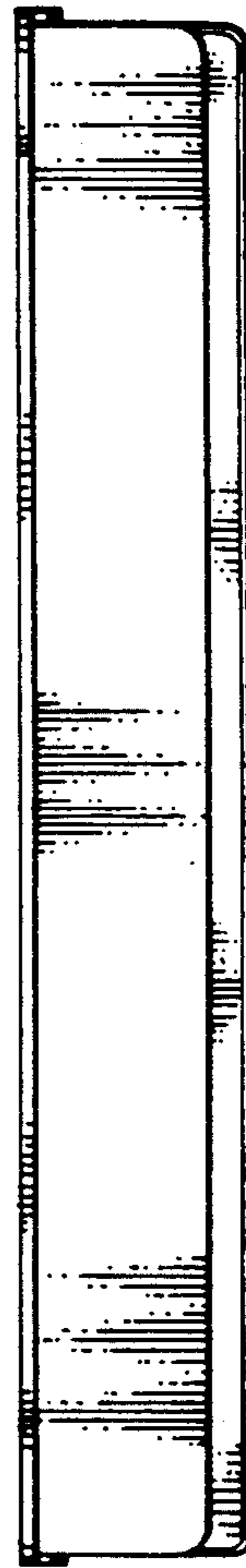


Fig. 3

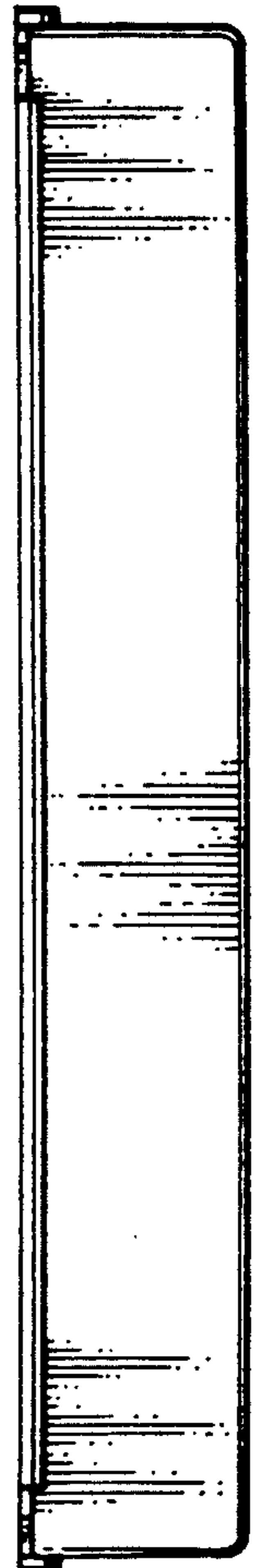
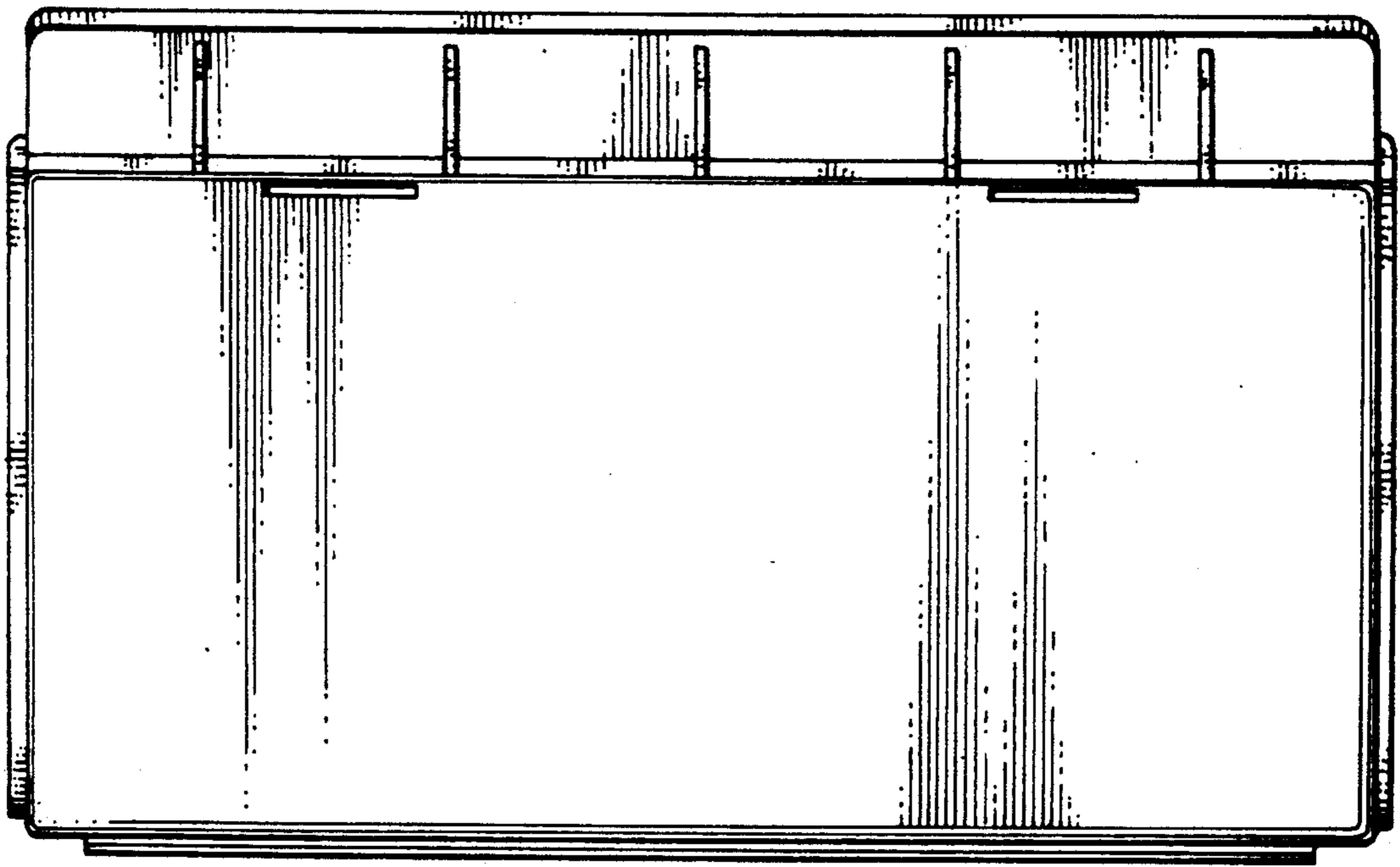


Fig. 4

Fig. 6



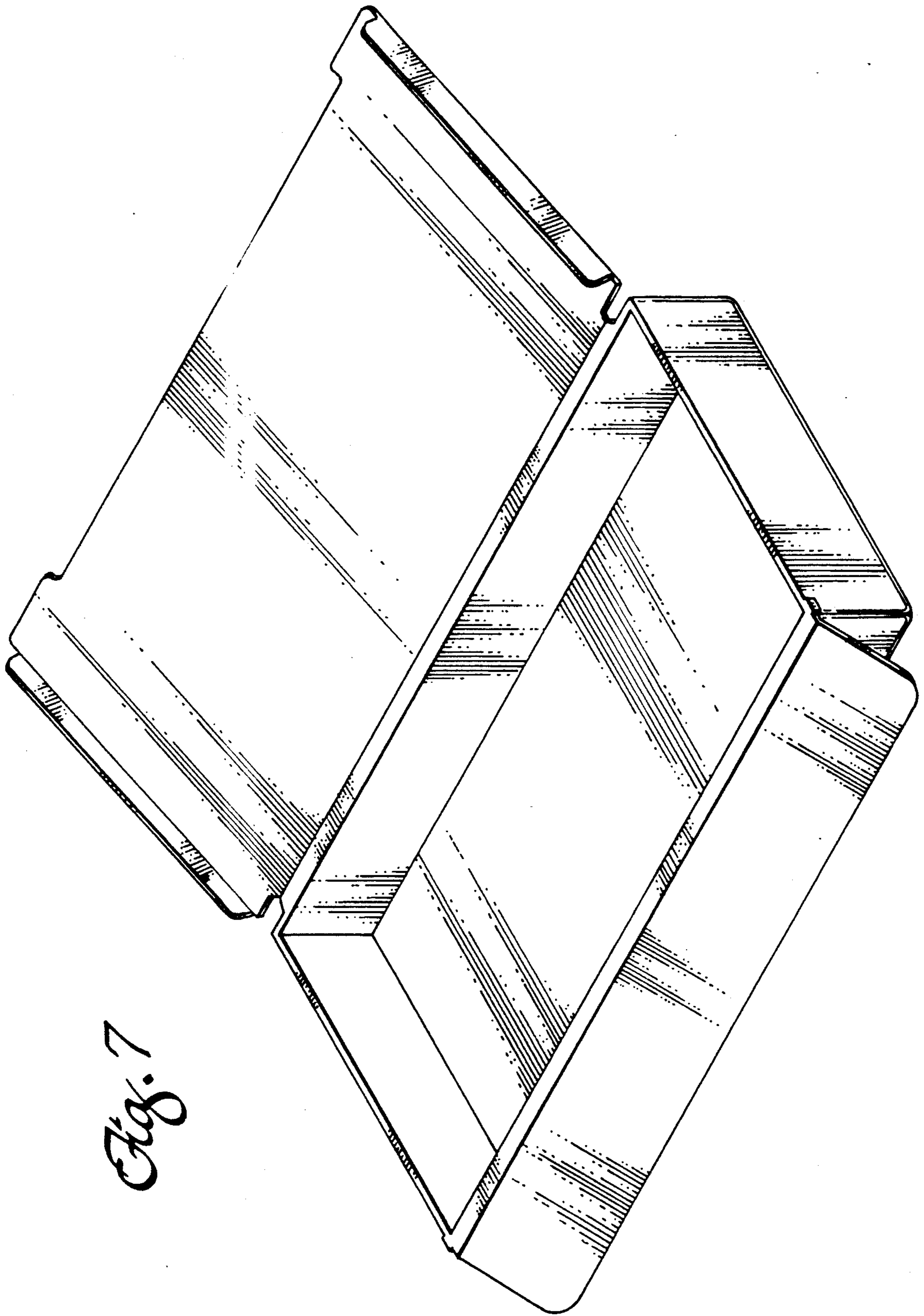


Fig. 7