



US00D332019S

United States Patent [19]

[11] Patent Number: **Des. 332,019**

Loznikov

[45] Date of Patent: **** Dec. 29, 1992**

[54] TABLE

[76] Inventor: **Mikhail Loznikov**, 2007 Balboa St., San Francisco, Calif. 94121

[**] Term: **14 Years**

[21] Appl. No.: **629,356**

[22] Filed: **Dec. 18, 1990**

[52] U.S. Cl. **D6/484; D6/482; D6/480**

[58] Field of Search **D6/480, 482-489, D6/511, 429, 430, 495-499; 108/161**

[56] References Cited

U.S. PATENT DOCUMENTS

- D. 135,508 4/1943 Mildwoff D6/480
- D. 243,222 2/1977 Lopez D6/484
- 3,705,556 12/1972 Kelly D6/482 X

OTHER PUBLICATIONS

Furniture Today, Apr. 10, 1989, p 154—Table at top left.
Interiors, May 1973, p. 42 “Dynasty” Table in center right.

Furniture Specialties, #3002 Table.

Primary Examiner—Nelson C. Holtje

Assistant Examiner—Janice E. Seeger

Attorney, Agent, or Firm—Phillips, Moore, Lempio & Finley

[57] CLAIM

The ornamental design for a table, as shown and described.

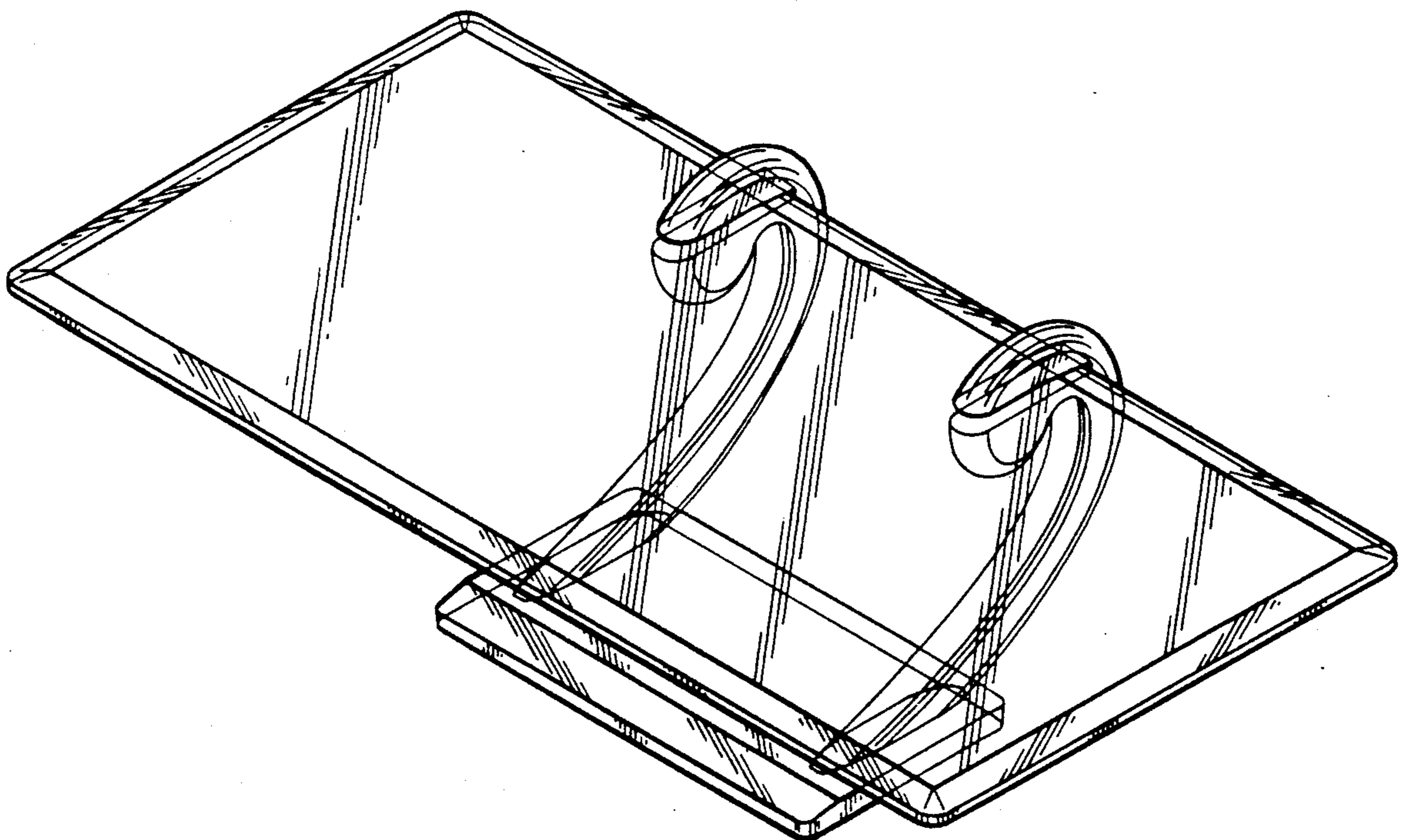
DESCRIPTION

FIG. 1 is a perspective view of a table, showing my new design;

FIG. 2 is a top plan view thereof;

FIG. 3 is a front elevational view thereof; and,

FIG. 4 is a side elevational view, the opposite side being a mirror image thereof.



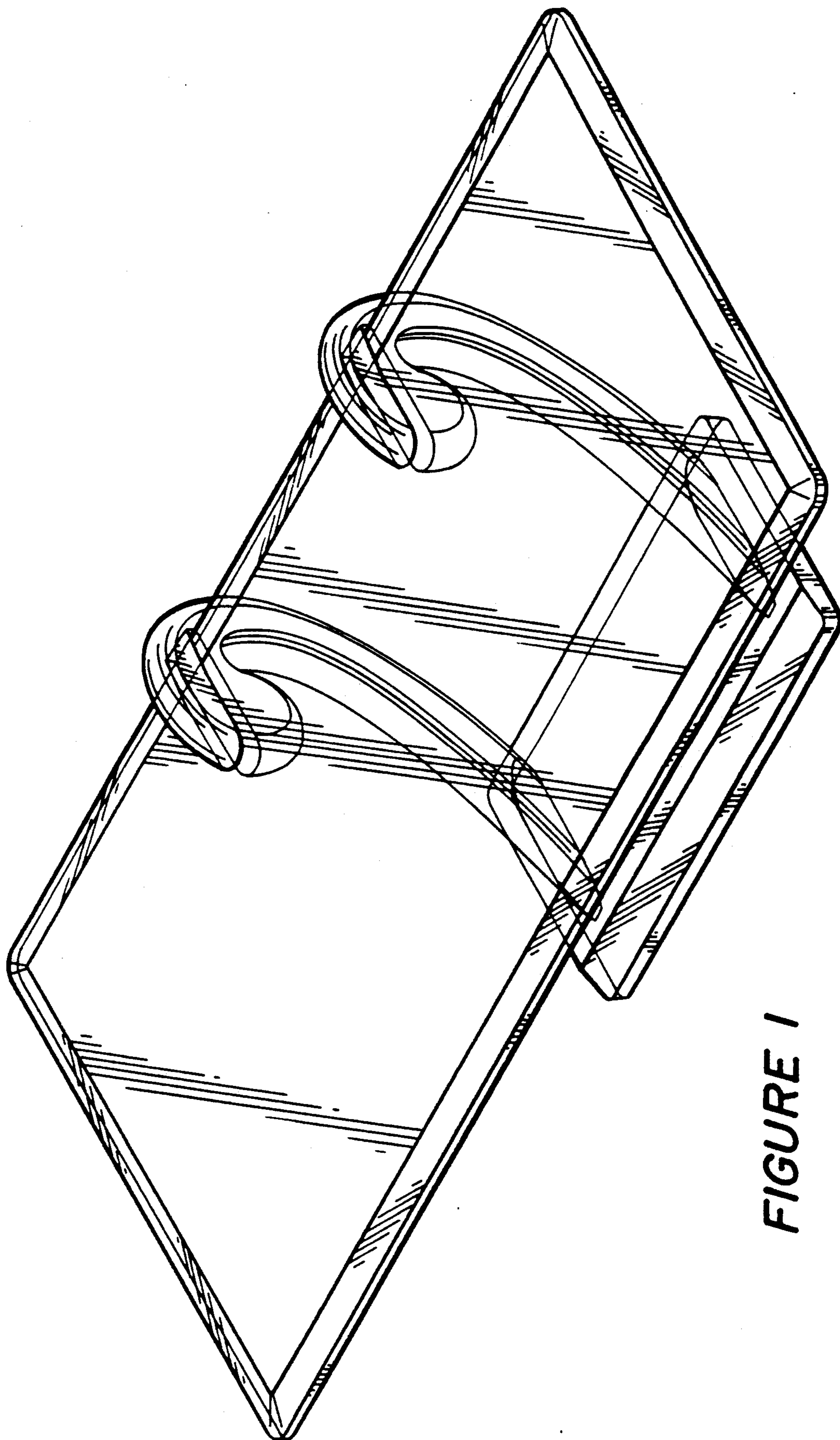


FIGURE 1

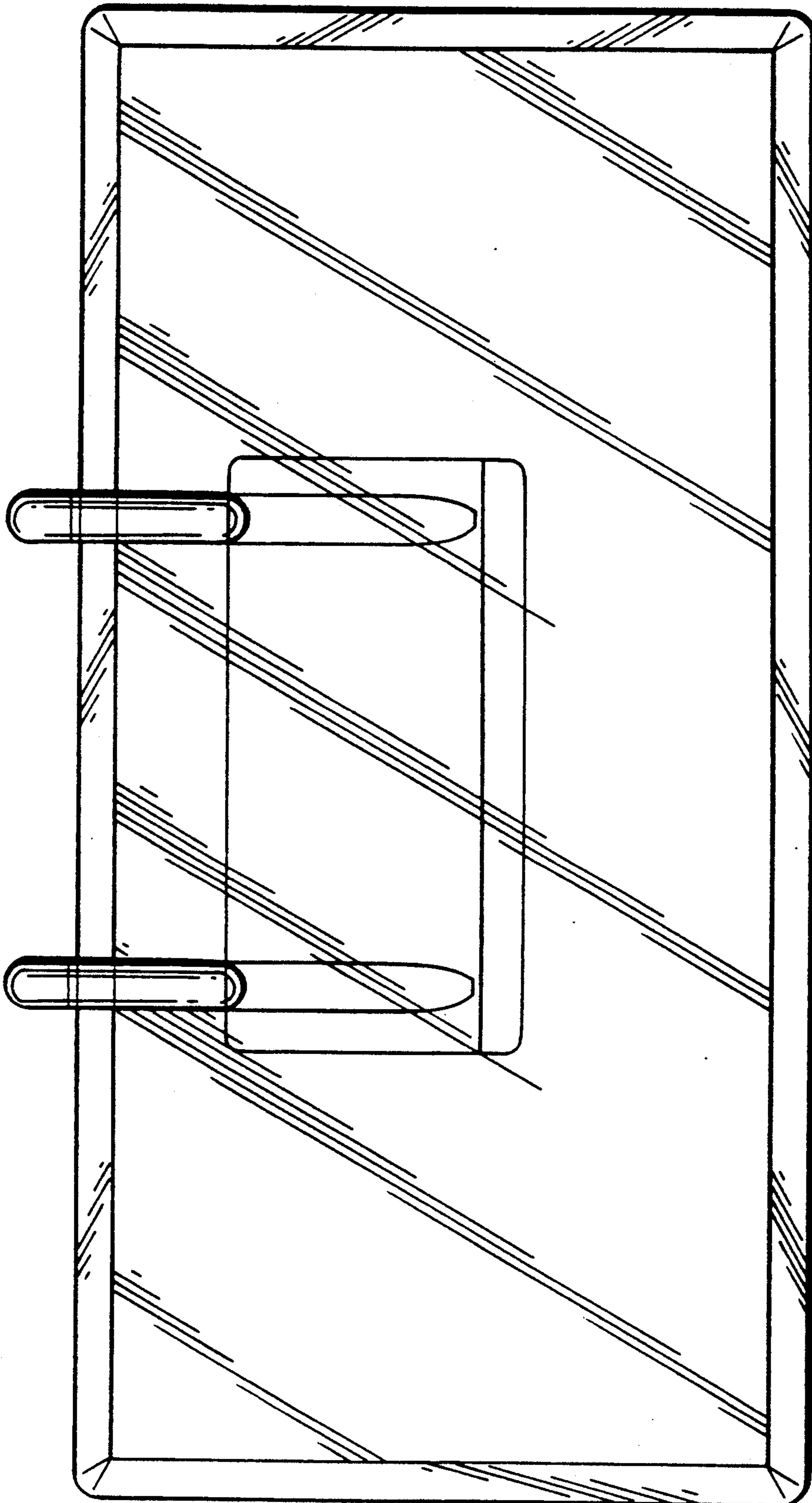


FIGURE 2

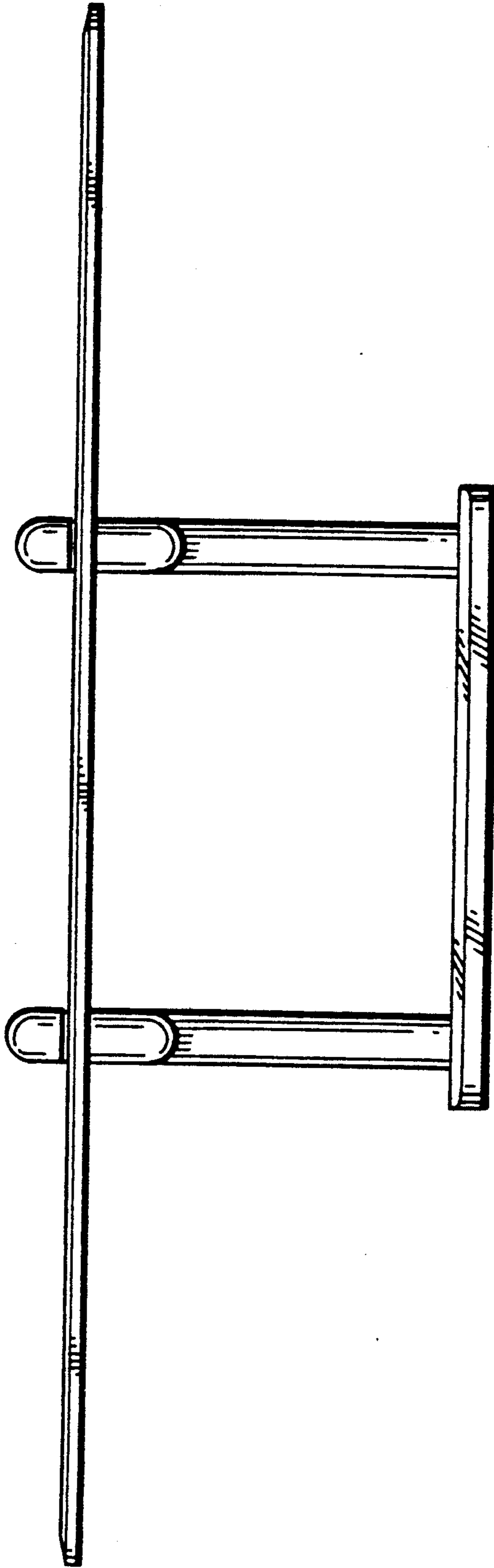


FIGURE 3

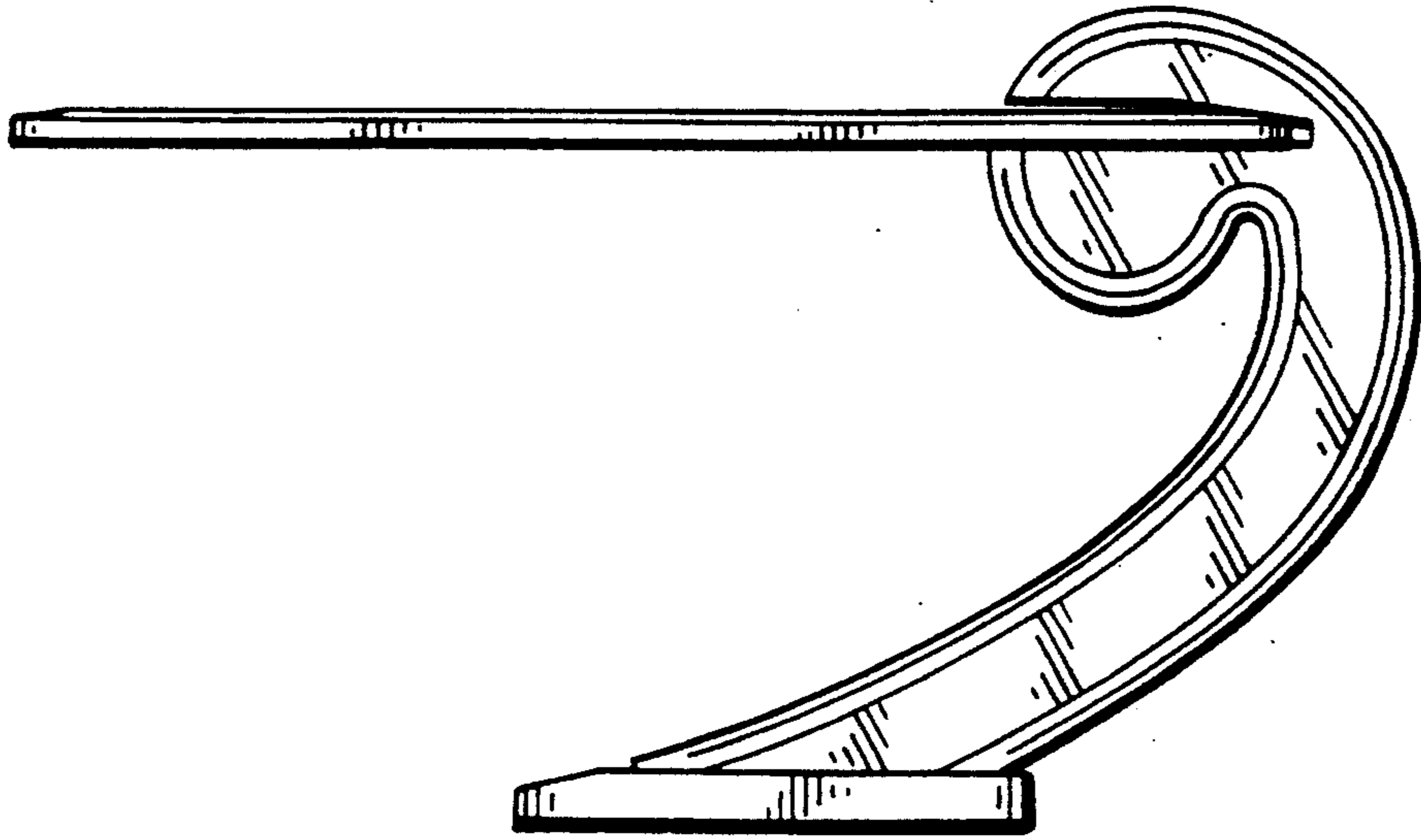


FIGURE 4