



US00D332009S

United States Patent [19]

[11] Patent Number: **Des. 332,009**

Kiefer

[45] Date of Patent: **** Dec. 29, 1992**

[54] **ADJUSTABLE FRAME FOR SUPPORTING A ROLLER FOR APPLYING COATINGS**

1028447 5/1953 France 15/230.11

[75] Inventor: **Alan P. Kiefer, Verona, N.J.**

Primary Examiner—Wallace R. Burke
Assistant Examiner—Lavone D. Tabor
Attorney, Agent, or Firm—Anthony F. Cuoco

[73] Assignee: **Kiefer Brushes, Inc., Verona, N.J.**

[**] Term: **14 Years**

[57] **CLAIM**

[21] Appl. No.: **551,843**

The ornamental design for an adjustable frame for supporting a roller for applying coatings, as shown and described.

[22] Filed: **Jul. 12, 1990**

[52] U.S. Cl. **D4/122; D4/199**

[58] Field of Search **D4/122, 199, 132; 15/230.11; 29/110.5, 120; 118/DIG. 15**

DESCRIPTION

FIG. 1 is a perspective view of an adjustable frame for supporting a roller for applying coatings showing my new design, the broken lines being for illustrative purposes only and forming no part of the claimed design; FIG. 2 is a top plan view thereof; FIG. 3 is a bottom plan view thereof; FIG. 4 is a front elevational view thereof; FIG. 5 is a rear elevational view thereof; and, FIG. 6 is an elevational view of one side thereof, with the other side appearing the same.

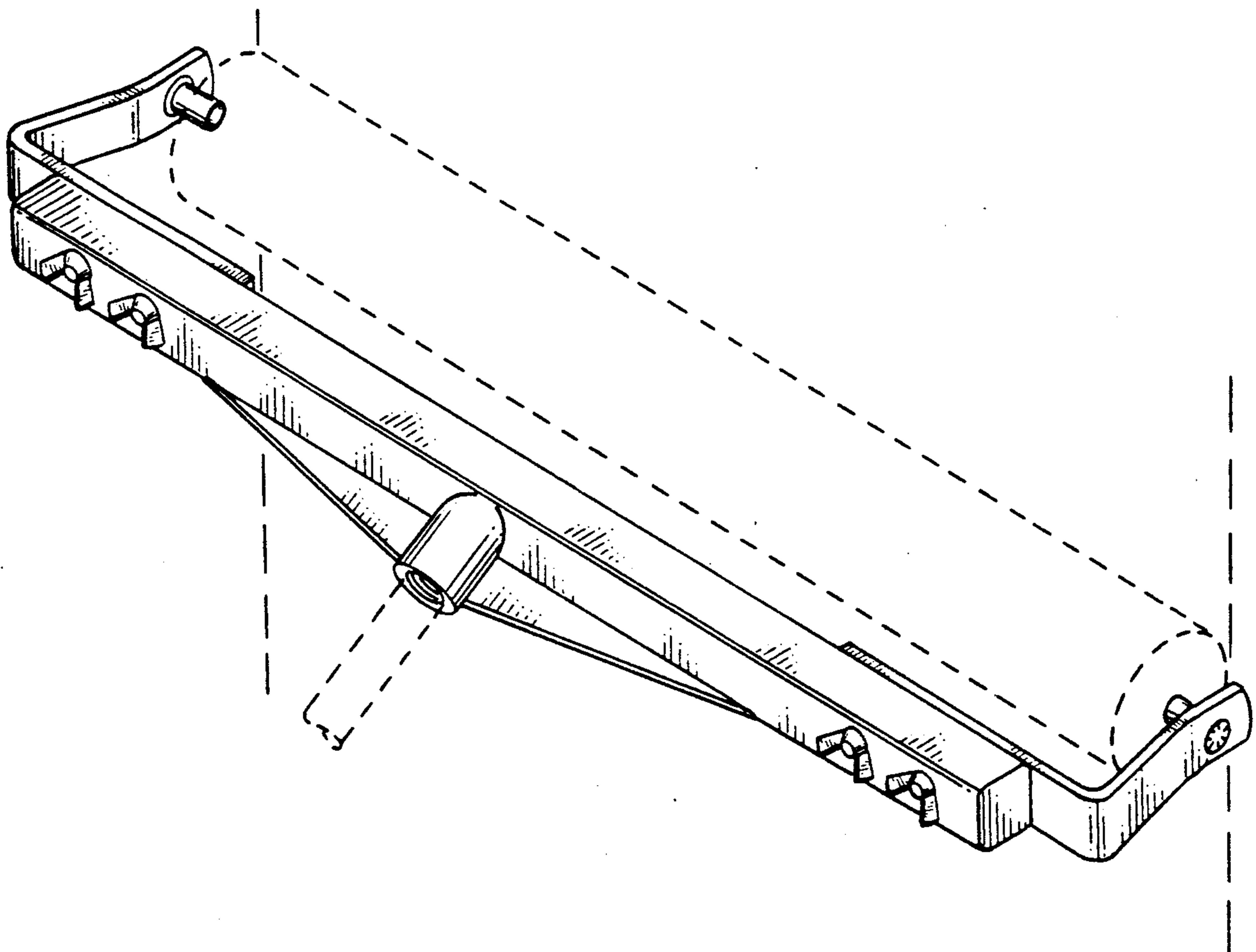
[56] **References Cited**

U.S. PATENT DOCUMENTS

D. 270,971 10/1983 Stevens et al. D4/132

FOREIGN PATENT DOCUMENTS

890 1/1932 Australia 15/230.11



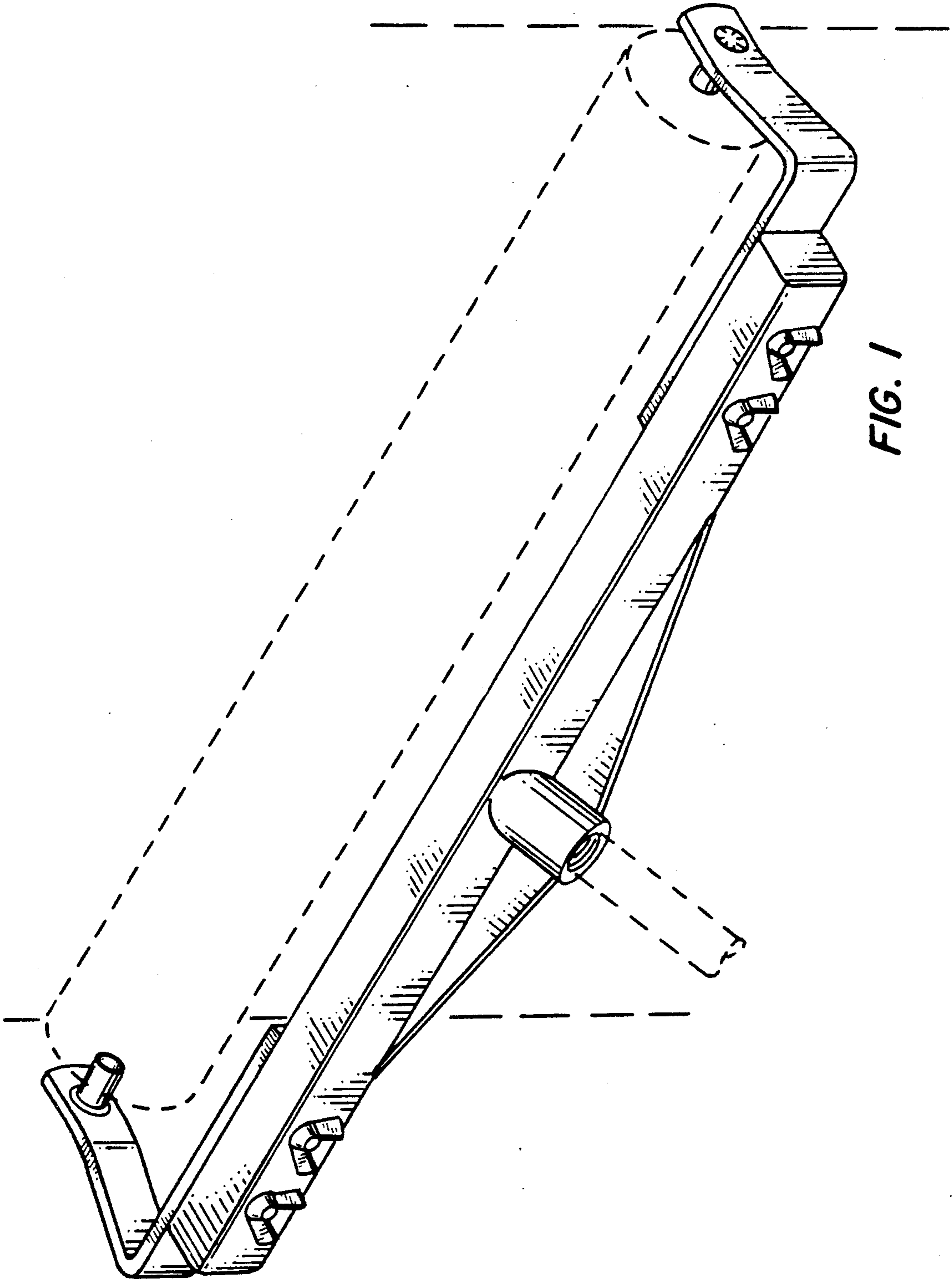


FIG. 1

