



US00D332007S

United States Patent [19]
McAullay

[11] **Patent Number: Des. 332,007**
[45] **Date of Patent: ** Dec. 29, 1992**

[54] **KEY FOB**

[56] **References Cited**

[76] **Inventor: Mark A. McAullay, Unit 8/38 Ednah Street, Como, Western Australia, Australia, 6152**

U.S. PATENT DOCUMENTS

D. 247,268 2/1978 Quenot D3/61
4,884,718 12/1989 Leahy 206/806
4,899,882 2/1990 Benner 206/806

[**] **Term: 14 Years**

Primary Examiner—A. Hugo Word
Assistant Examiner—R. Seifert
Attorney, Agent, or Firm—John S. Hale

[21] **Appl. No.: 485,062**

[57] **CLAIM**

The ornamental design for a key fob, as shown and described.

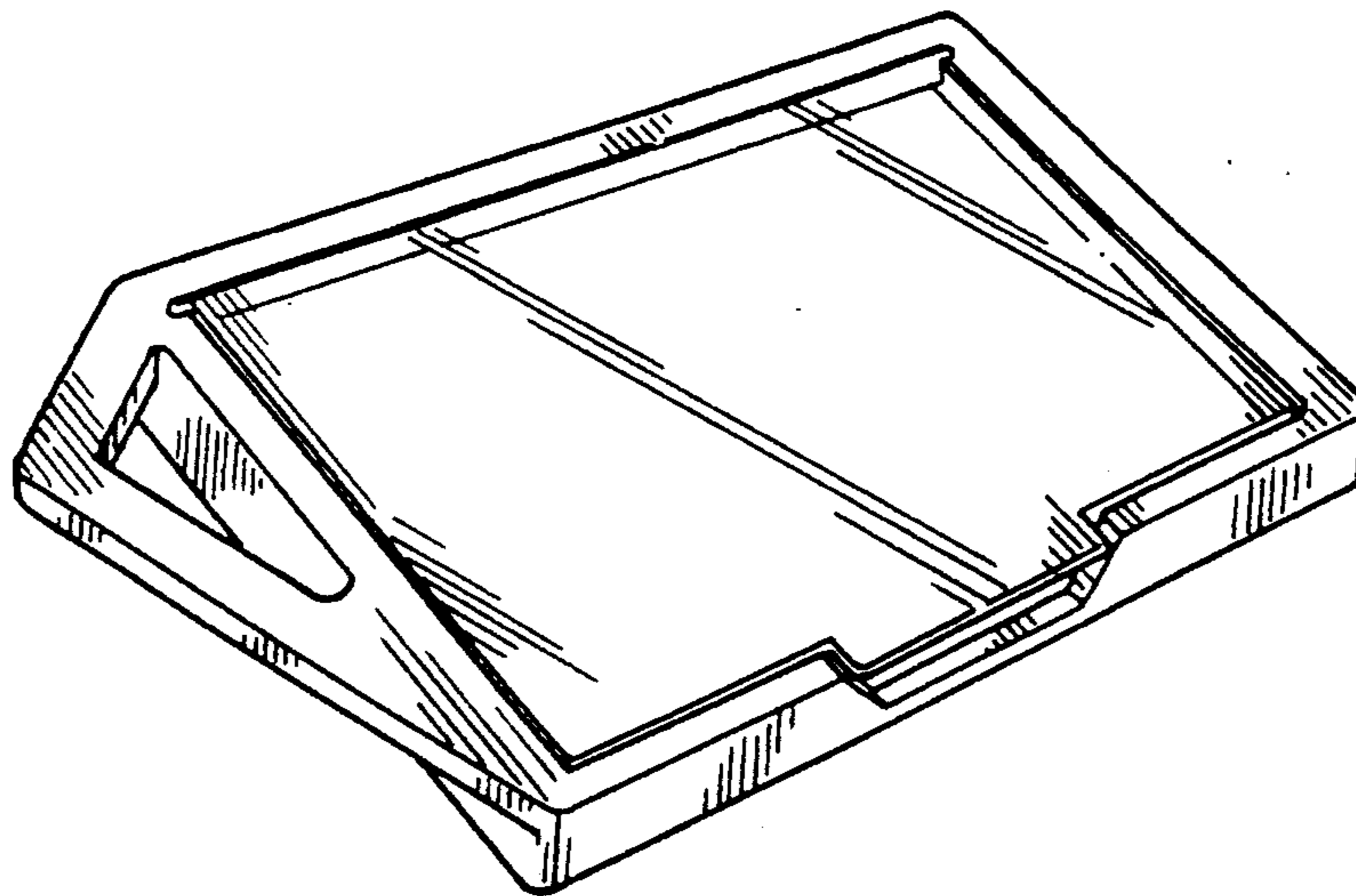
[22] **Filed: Feb. 26, 1990**

[52] **U.S. Cl. D3/62; D11/79**

[58] **Field of Search D3/61-65, D3/103; D11/79; 206/806; 24/3 K; 70/456 R, 456 B, 458, 459, 460, 461, 457**

DESCRIPTION

FIG. 1 is a top perspective view of a key fob showing my new design;
FIG. 2 is a top perspective view shown in an open position;
FIG. 3 is a bottom perspective view of FIG. 1; and,
FIG. 4 is a front elevational view of FIG. 1.



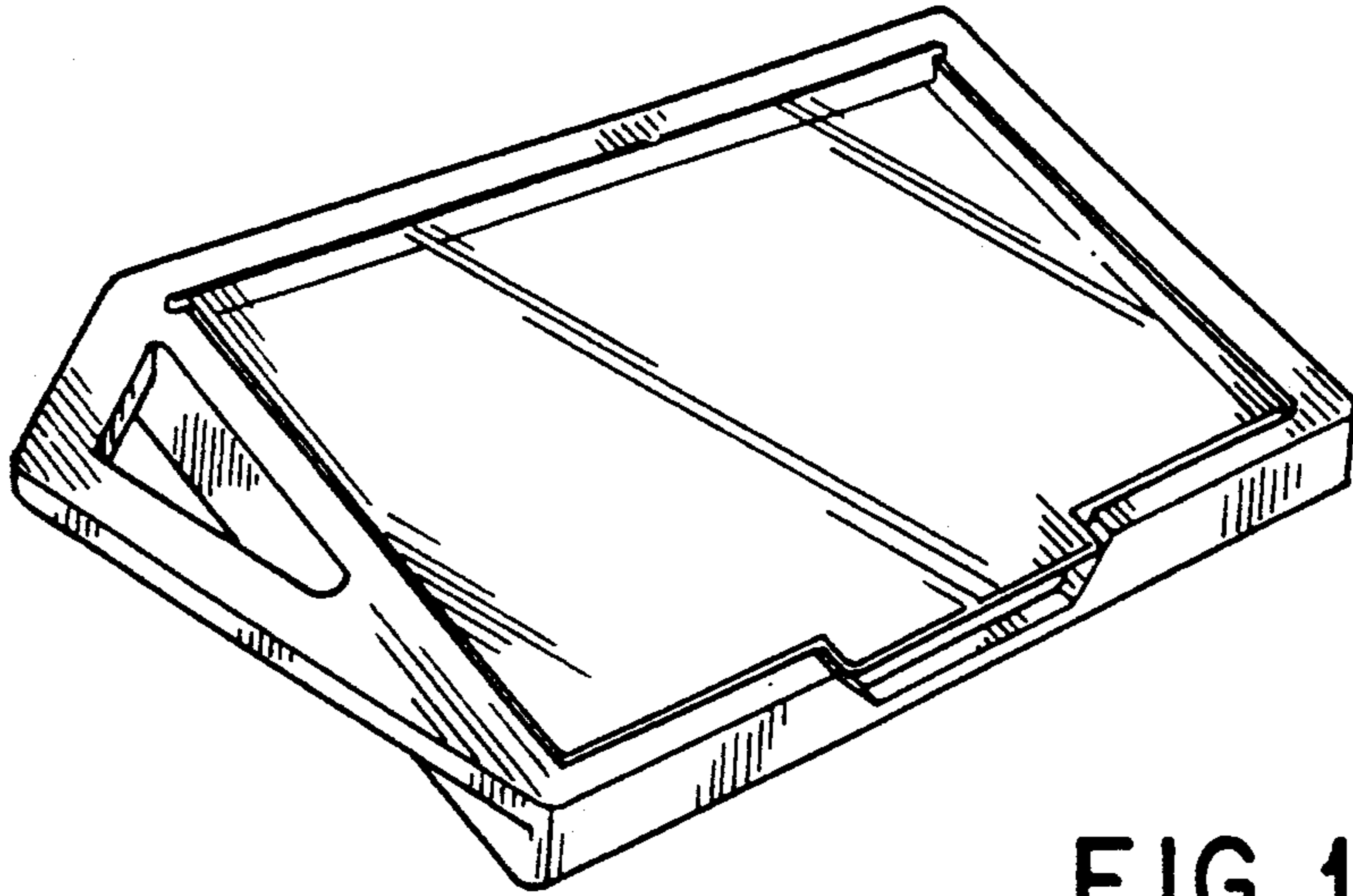


FIG. 1

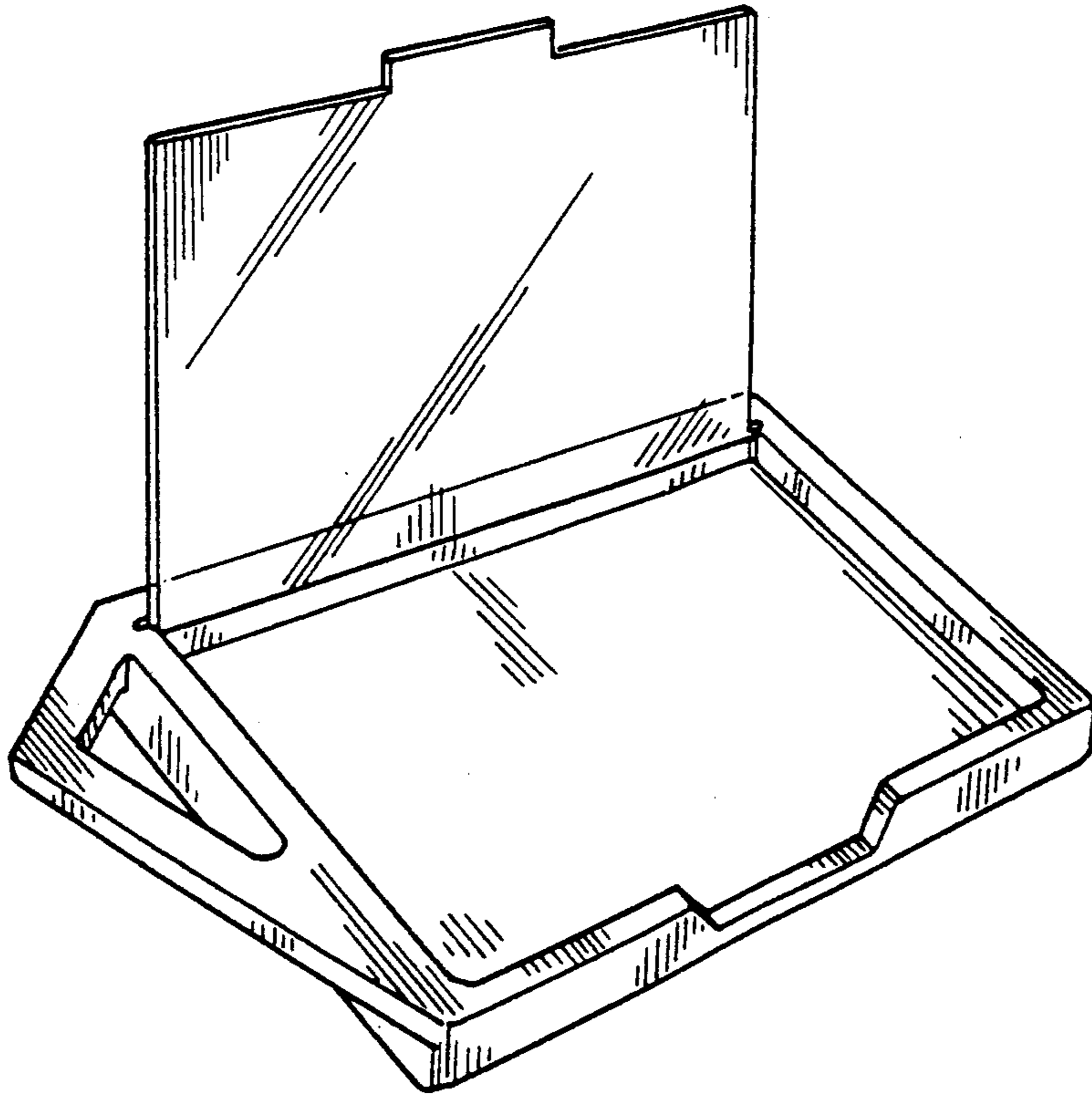


FIG. 2

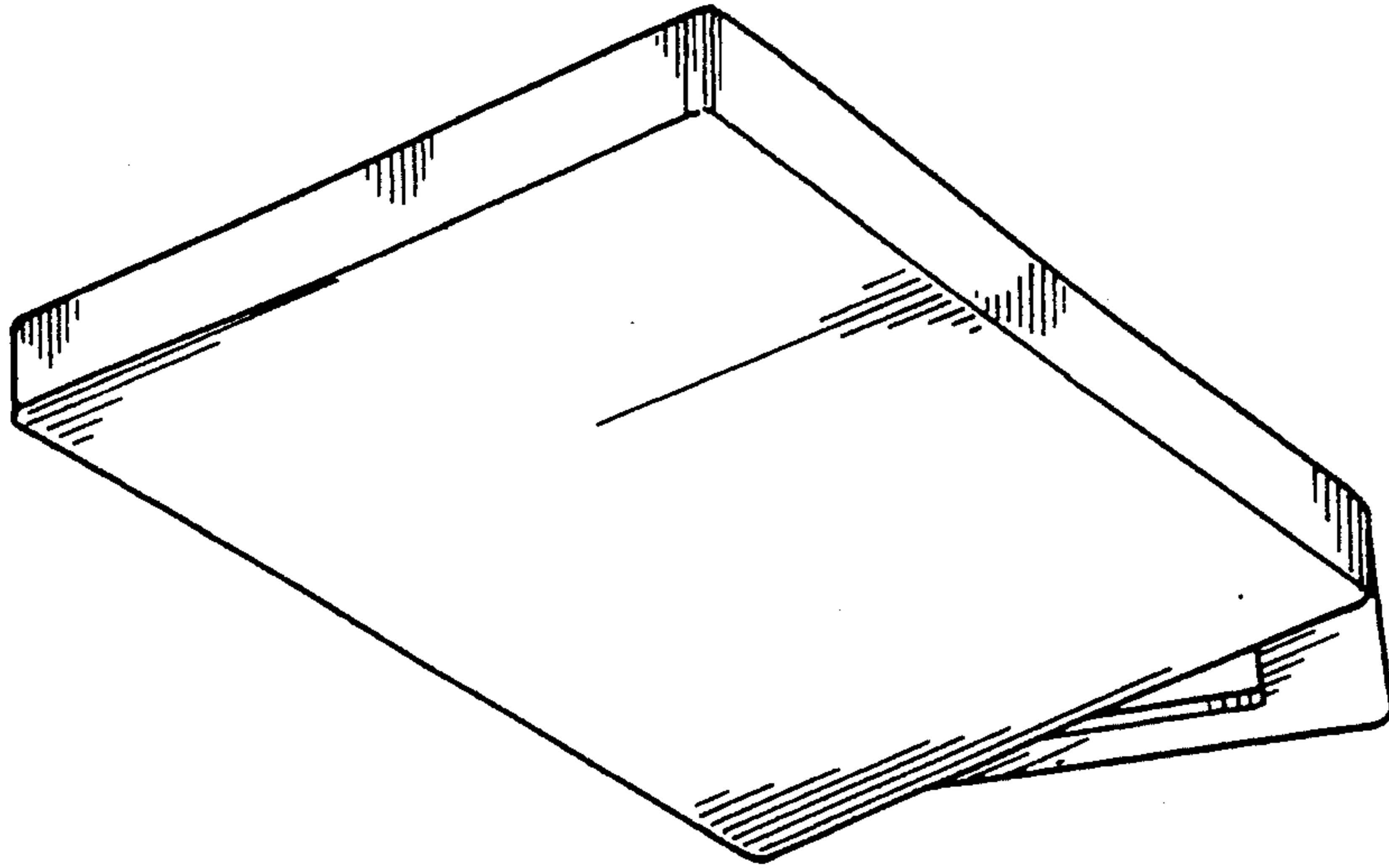


FIG. 3



FIG. 4