



US00D332006S

# United States Patent [19]

[11] Patent Number: Des. 332,006

Ross

[45] Date of Patent: \*\* Dec. 29, 1992

[54] **HANDBAG**

[76] Inventor: **Emily S. Ross**, 4579 Laclede Ave., Suite 214, St. Louis, Mo. 63108

[\*\*] Term: **14 Years**

[21] Appl. No.: **588,969**

[22] Filed: **Sep. 27, 1990**

[52] U.S. Cl. .... **D3/52**

[58] Field of Search ..... **D3/41-46, D3/71, 48-54, 74-79; 150/100, 103-108, 110-113, 117-119; 190/1, 100, 107-112, 115; 383/4, 6, 8, 16, 37, 38, 41, 42, 71, 72, 75, 907**

[56] **References Cited**

**U.S. PATENT DOCUMENTS**

D. 235,690	7/1975	Barad	.....	D3/48
2,608,326	8/1952	Spector	.....	D3/54 X
3,081,807	3/1963	Lightburn	.....	D3/79 X
3,955,609	5/1976	Siegel	.....	D3/48 X

**OTHER PUBLICATIONS**

Handbags & Accessories, Feb. 1974, p. 9—purse at top left.

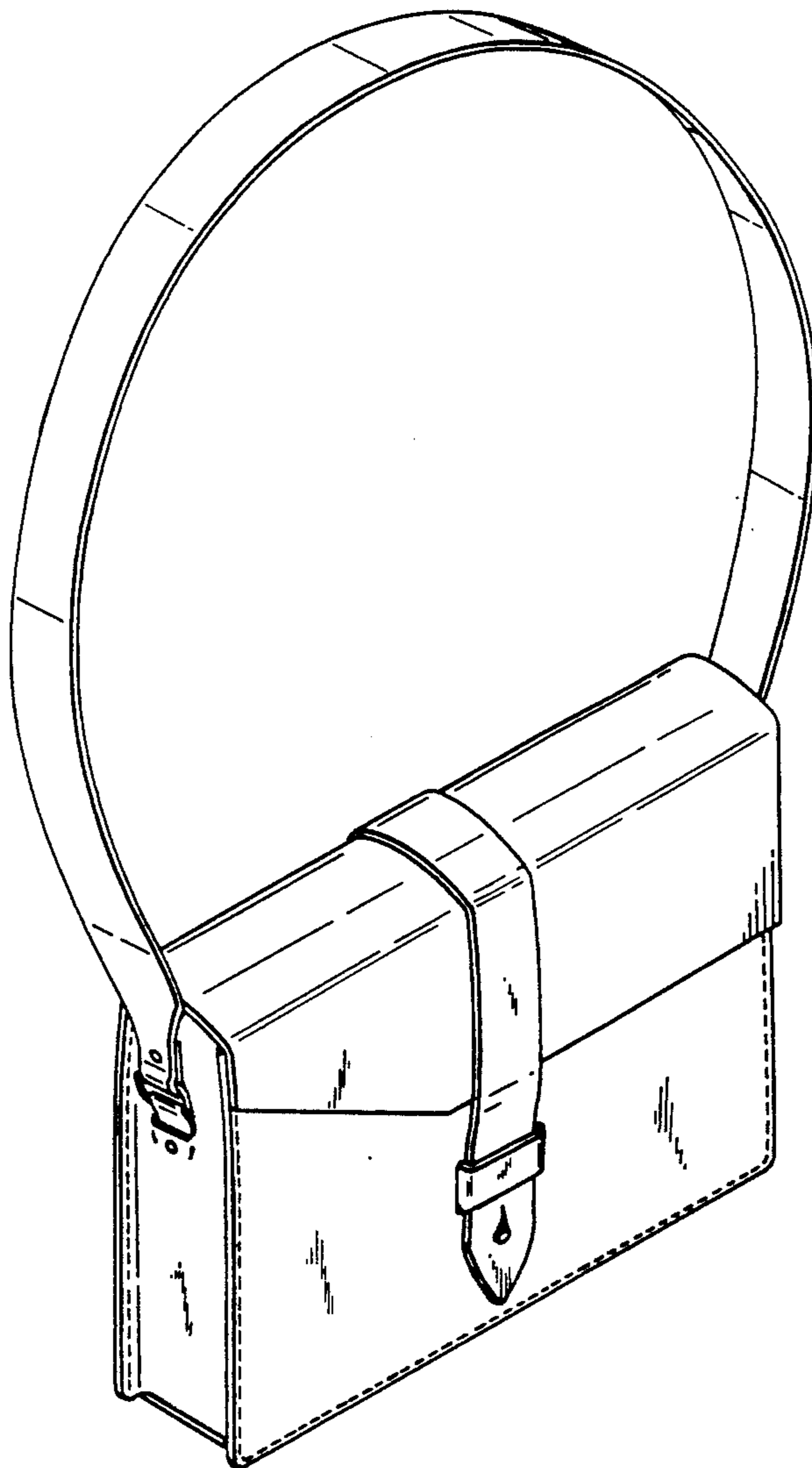
*Primary Examiner*—Louis S. Zarfes  
*Attorney, Agent, or Firm*—Benjamin Hudson, Jr.

[57] **CLAIM**

The ornamental design for a handbag, as shown and described.

**DESCRIPTION**

FIG. 1 is a perspective view of a handbag showing my new design;  
FIG. 2 is a front elevational view;  
FIG. 3 is a right end elevational view;  
FIG. 4 is a bottom plan view;  
FIG. 5 is a top plan view;  
FIG. 6 is a left end elevational view; and,  
FIG. 7 is a rear elevational view.



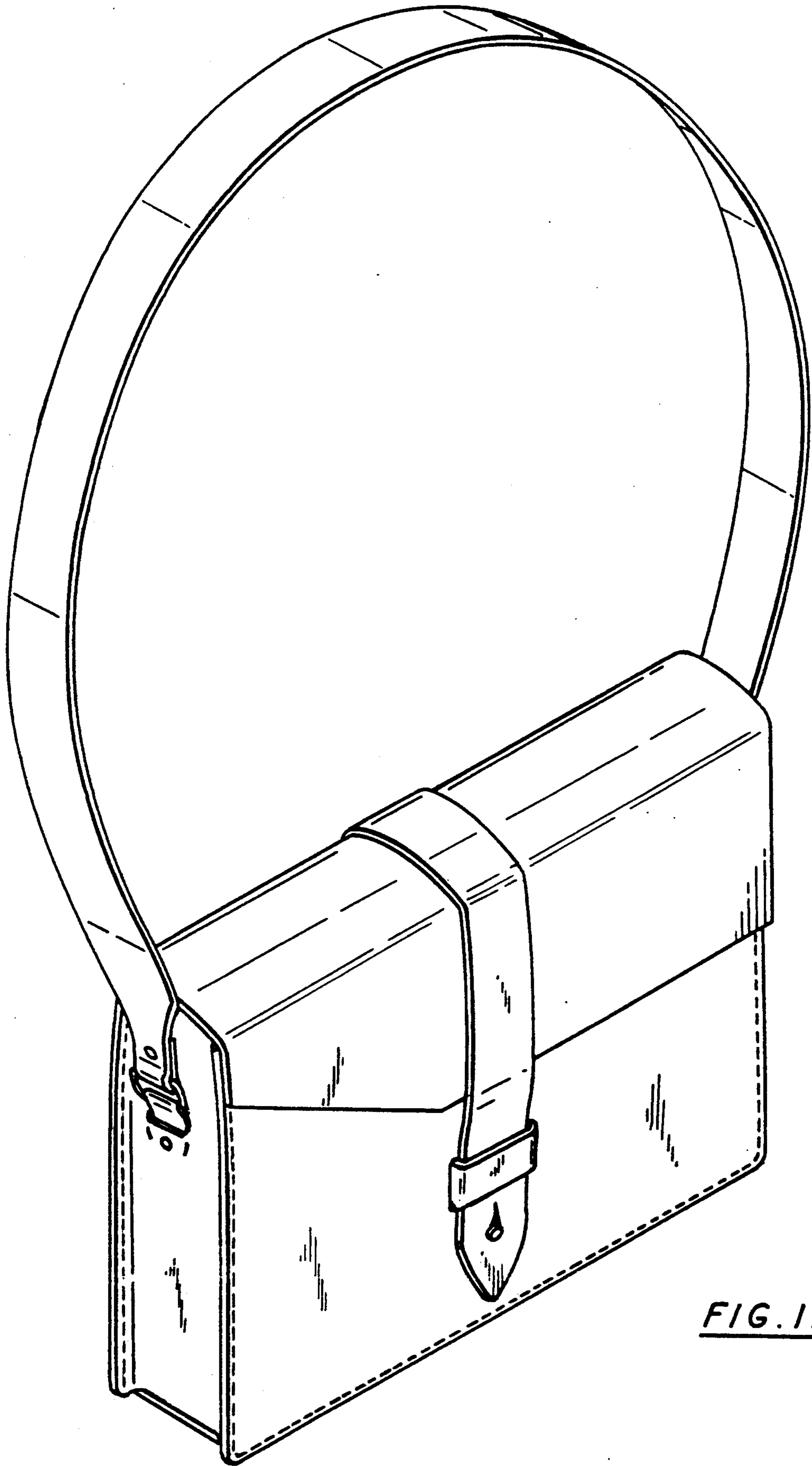


FIG. 1.

FIG. 2.

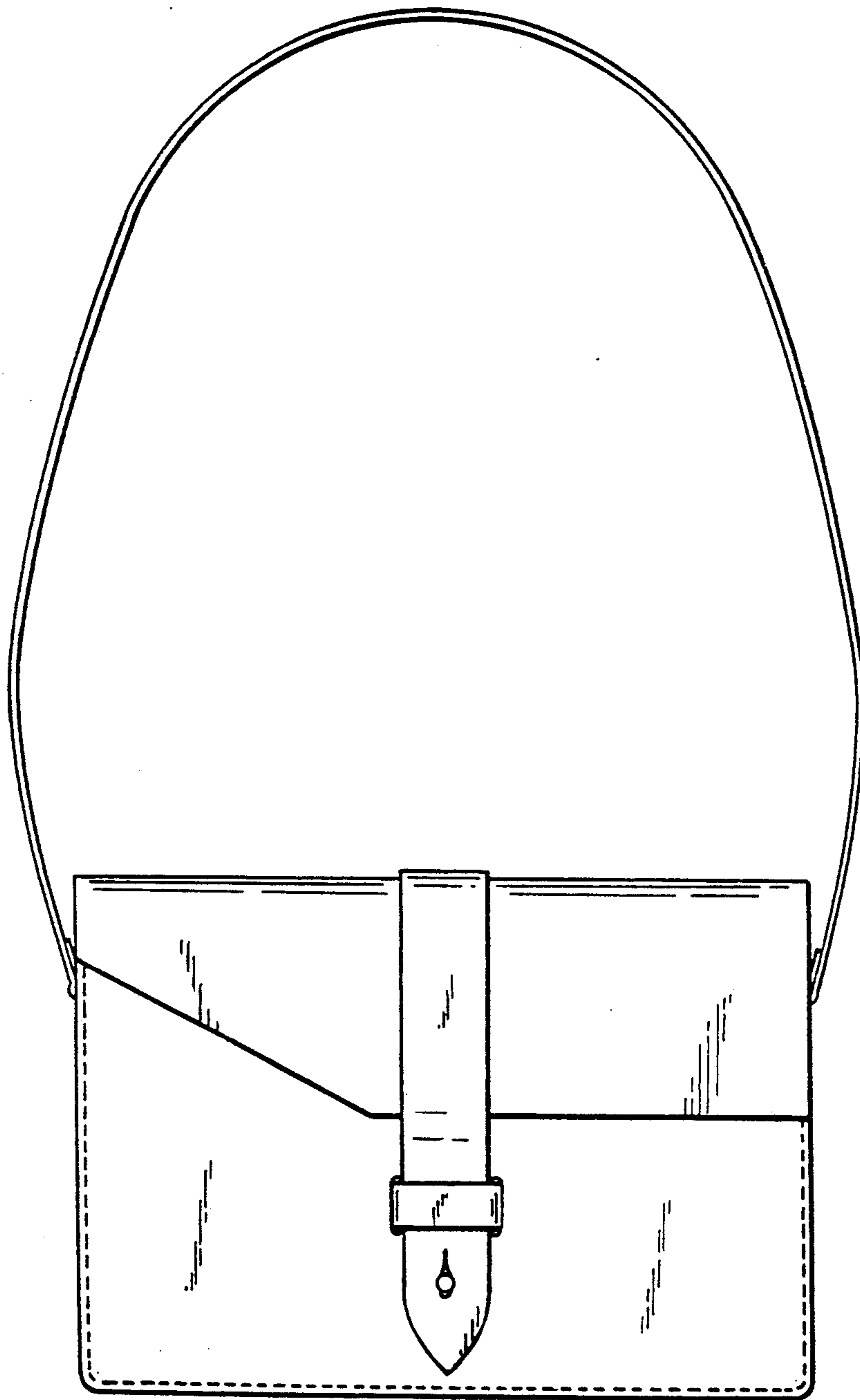


FIG. 3.

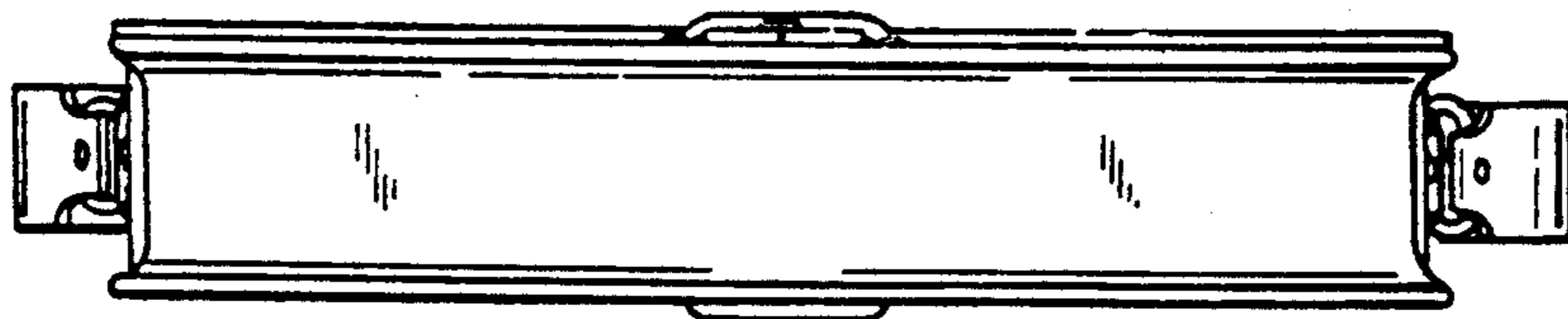
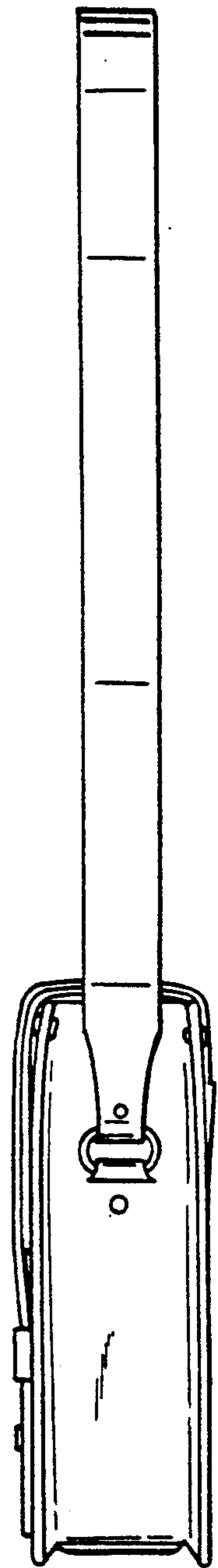


FIG. 4.

FIG. 5.

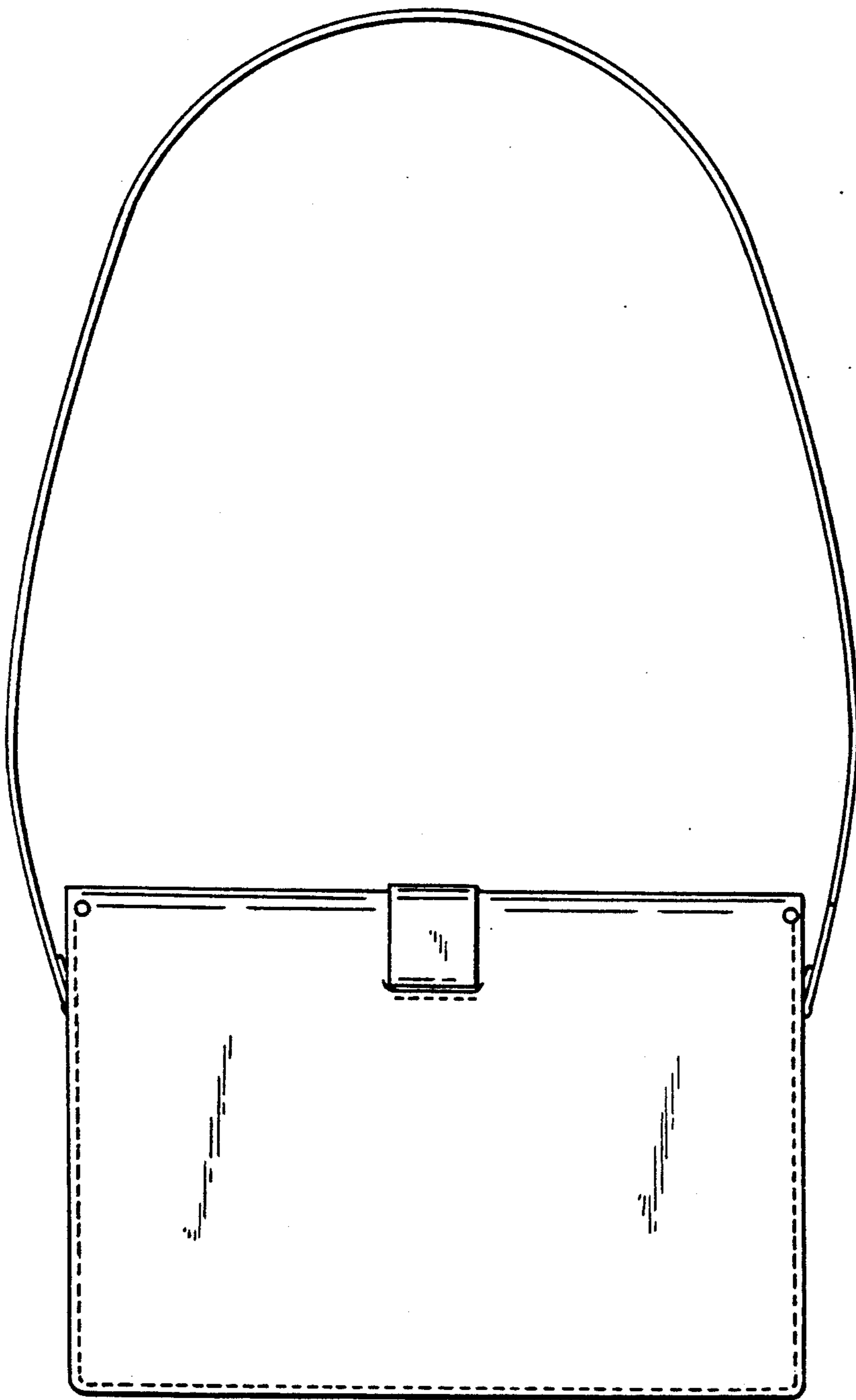
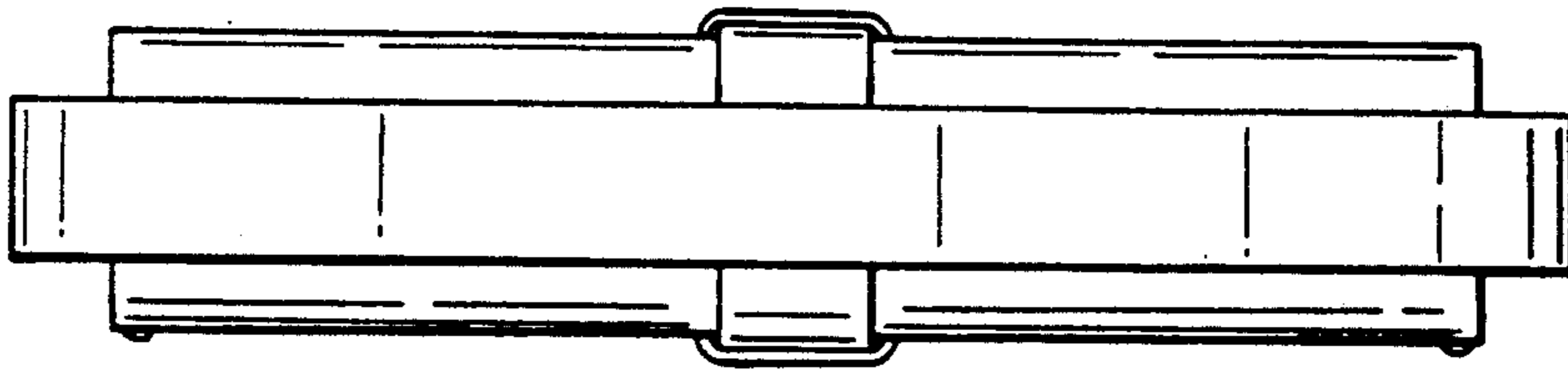


FIG. 7.

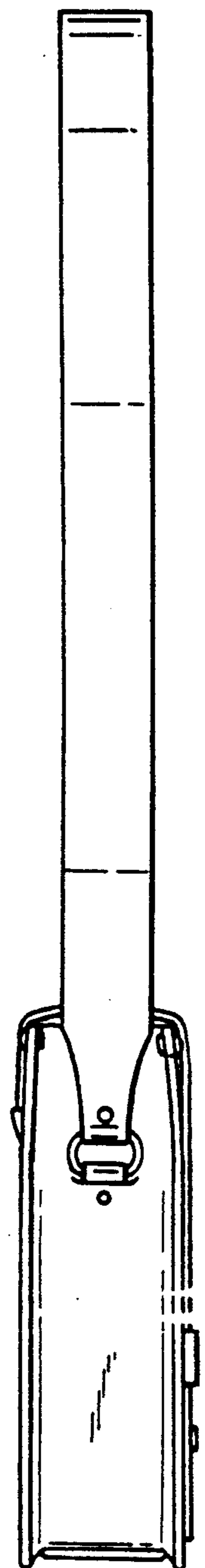


FIG. 6.