



US00D331995S

# United States Patent [19]

[11] Patent Number: **Des. 331,995**

Curtin

[45] Date of Patent: **\*\* Dec. 22, 1992**

## [54] PORTABLE ELEVATING PLATFORM

[75] Inventor: **Richard Curtin, Redmond, Wash.**

[73] Assignee: **Genie Industries Inc., Redmond, Wash.**

[\*\*] Term: **14 Years**

[21] Appl. No.: **678,631**

[22] Filed: **Apr. 1, 1991**

### [30] Foreign Application Priority Data

Oct. 1, 1990 [GB] United Kingdom ..... 2009987

[52] U.S. Cl. .... **D34/28**

[58] Field of Search ..... **D34/28; 414/495, 558, 414/255; 187/8.49, 17, 1 R; 212/205**

### [56] References Cited

#### U.S. PATENT DOCUMENTS

D. 307,813	5/1990	Isogai	.....	D34/28
3,806,092	4/1974	Richards	.....	414/495
3,993,207	11/1976	Jones	.....	414/495
4,488,326	12/1984	Cherry	.....	414/495
4,867,277	9/1989	Sloan	.....	D34/28 X

## OTHER PUBLICATIONS

Cherokee Products Corp. Catalog, Oct. 10, 1989, p. 148, Personnel Lifts, Item circled at top of page.

*Primary Examiner*—Wallace R. Burke

*Assistant Examiner*—H. Baynham

*Attorney, Agent, or Firm*—Cushman, Darby & Cushman

## [57] CLAIM

The ornamental design for a portable elevating platform, as shown and described.

## DESCRIPTION

FIG. 1 is a right, rear, top perspective view of a portable elevating platform showing my new design;

FIG. 2 is a right, rear, bottom perspective view thereof; and,

FIG. 3 is a right, front, top perspective view thereof with the platform in an elevated position.

The undisclosed left side is identical in appearance to the right side elevational view with the exception of the absence of the two switches and the two control boxes on the right and the arrangement of the pinwheel supports.

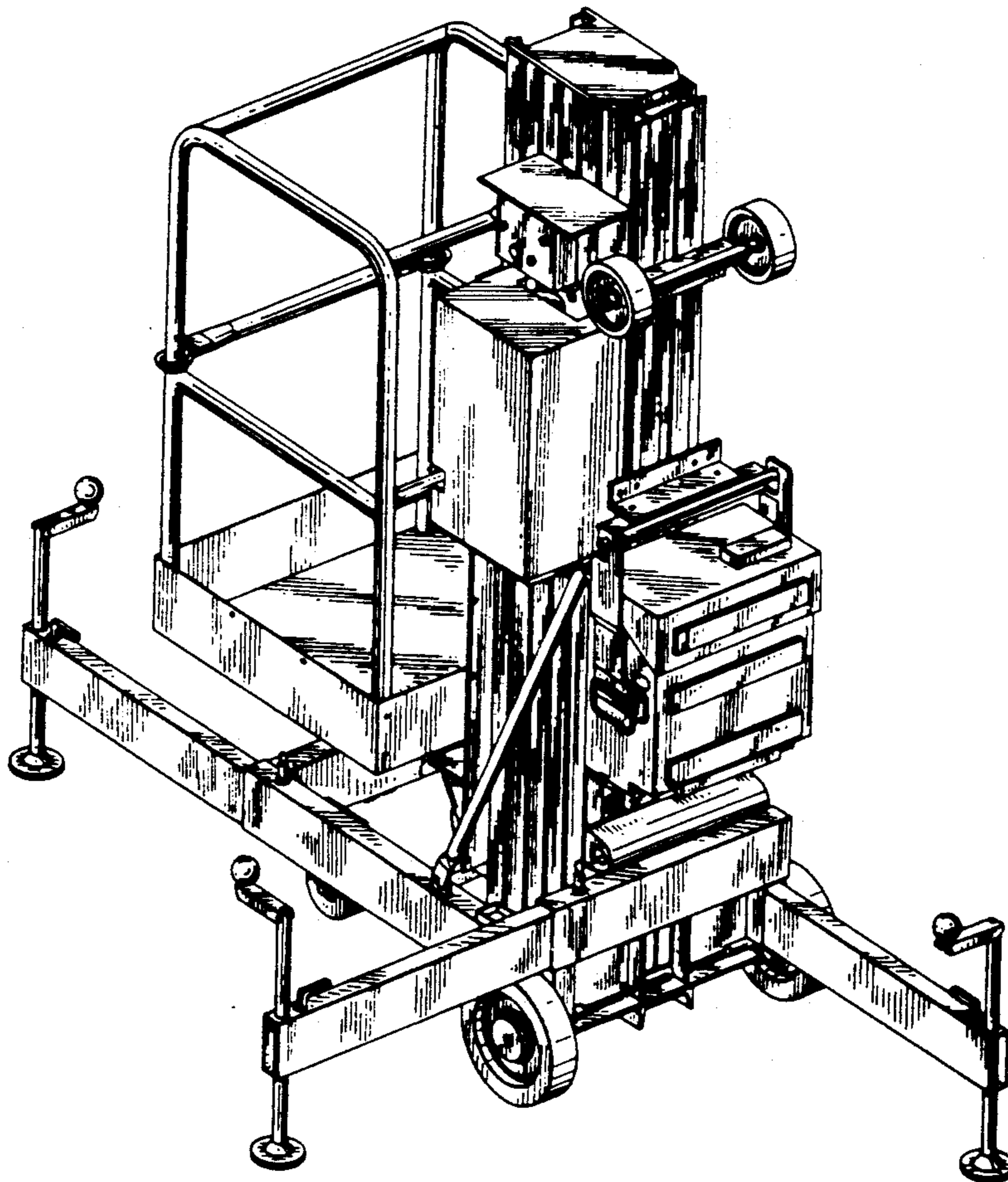


FIG. 1

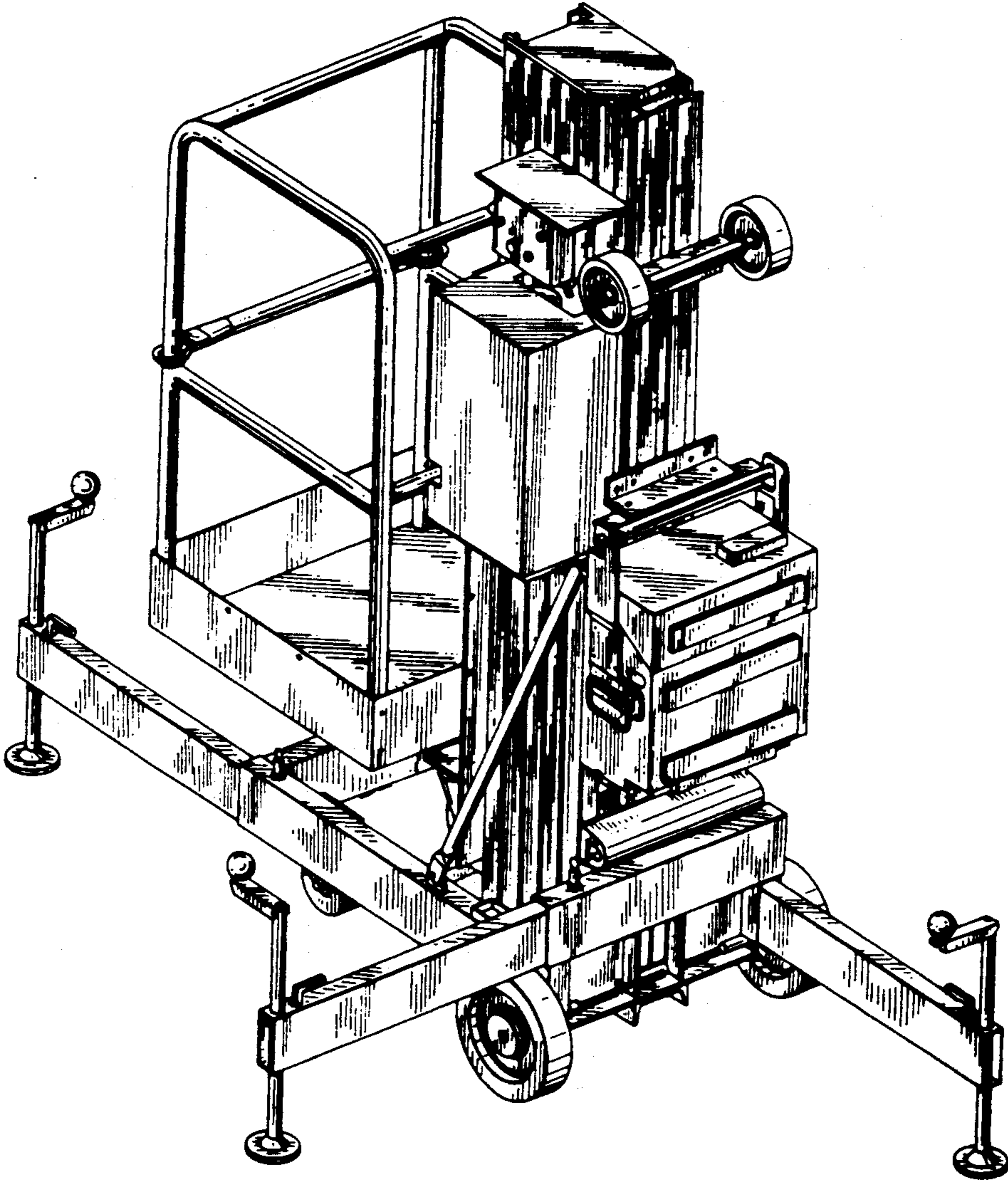
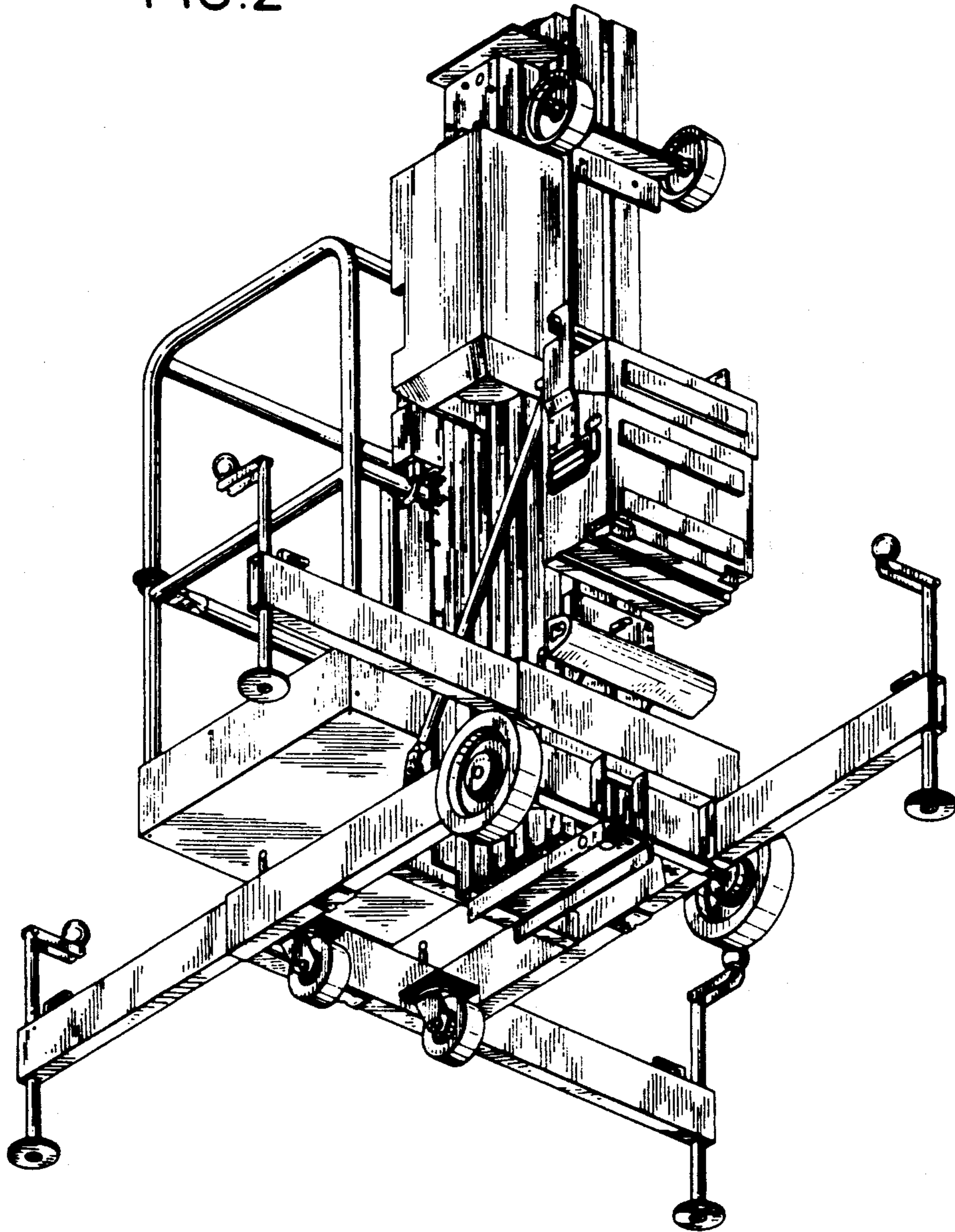


FIG. 2



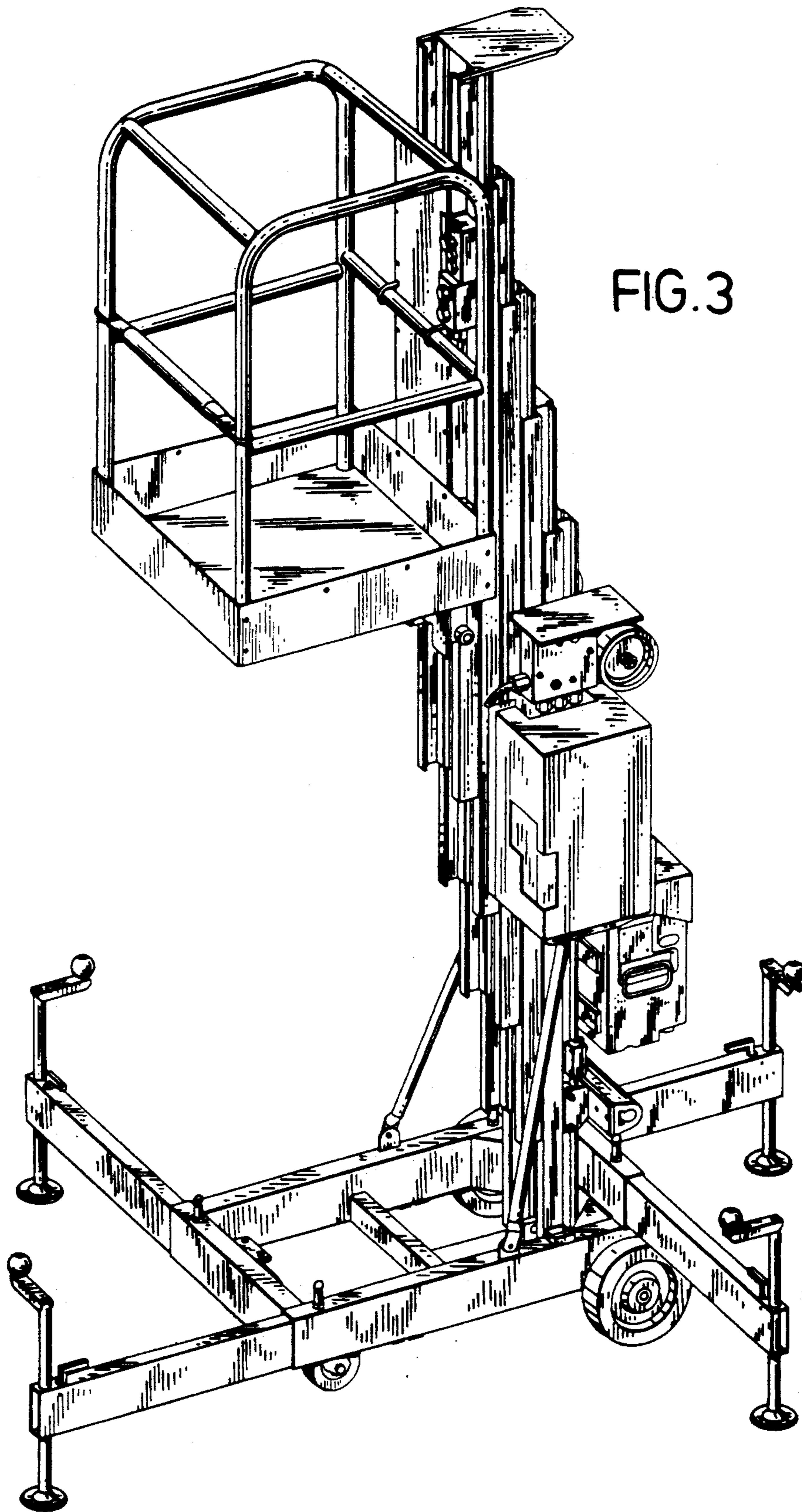


FIG. 3