



US00D331994S

United States Patent [19]

[11] Patent Number: **Des. 331,994**

Kinn

[45] Date of Patent: **** Dec. 22, 1992**

[54] HOIST FOR RIDING MOWERS

[76] Inventor: **Ronald B. Kinn**, 6249 Pincherry Rd., NE., Bemidji, Minn. 56601

[**] Term: **14 Years**

[21] Appl. No.: **675,725**

[22] Filed: **Mar. 27, 1991**

[52] U.S. Cl. **D34/34**

[58] Field of Search **D34/34, 31; 56/15.9; 414/549, 495; 187/9 R**

[56] References Cited

U.S. PATENT DOCUMENTS

D. 206,386	12/1966	Vermette	D34/31
D. 274,571	7/1984	Vermette	D34/34
D. 306,368	2/1990	Dougherty	D34/28
3,957,137	5/1976	Vermette	187/1 R X
4,131,181	12/1978	Vermette	187/1 R X
4,421,209	12/1983	Vermette et al.	187/9 R
4,632,627	12/1986	Swallows	414/495 X
4,837,874	6/1989	Giercarz et al.	D34/28 X

OTHER PUBLICATIONS

Turnkey Material Handling Inc., Nov. 24, 1981, p. 23, item a in middle of page.

Primary Examiner—Wallace R. Burke
Assistant Examiner—H. Baynham
Attorney, Agent, or Firm—Richard C. Litman

[57] CLAIM

The ornamental design for a hoist for riding mowers, as shown and described.

DESCRIPTION

FIG. 1 is a front and left side perspective view of a hoist for riding mowers showing my new design; FIG. 2 is a side elevational view thereof with the opposite side being a mirror image thereof; FIG. 3 is a top plan view thereof; FIG. 4 is a bottom plan view thereof; FIG. 5 is a front elevational view thereof; and, FIG. 6 is a rear elevational view thereof. The broken line showing of a riding mower is for illustrative purposes only and forms no part of the claimed design.

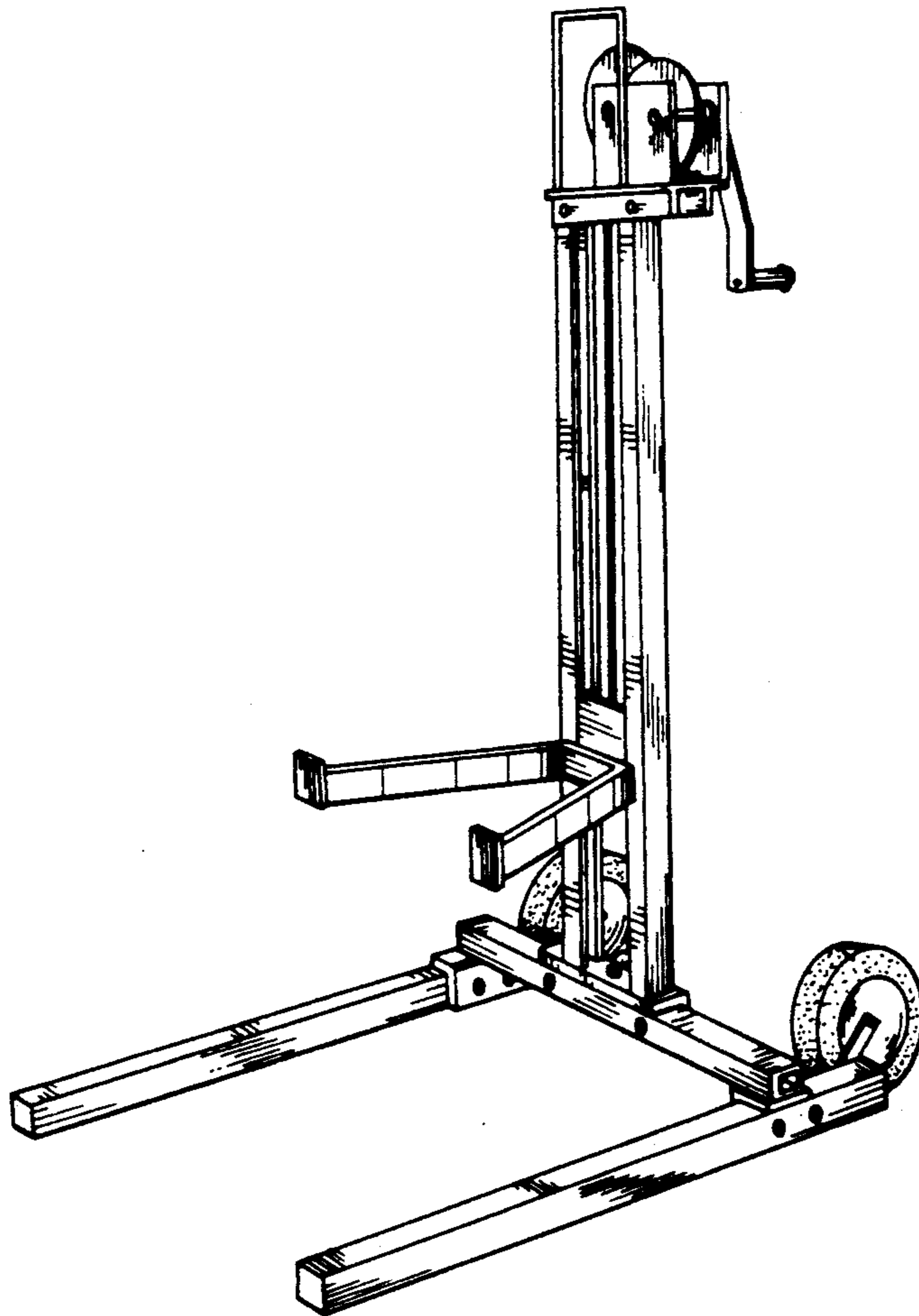


FIG. 1

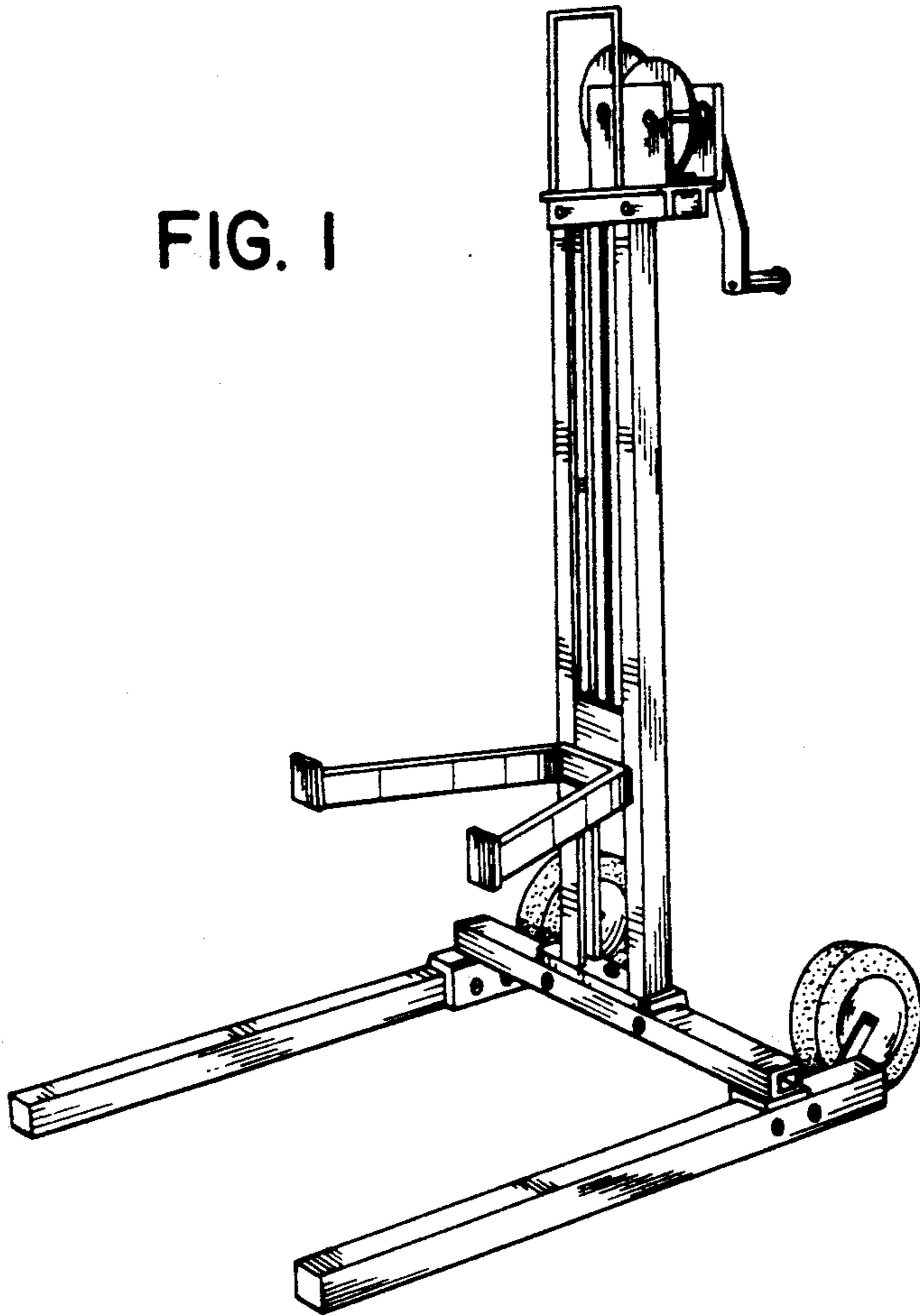
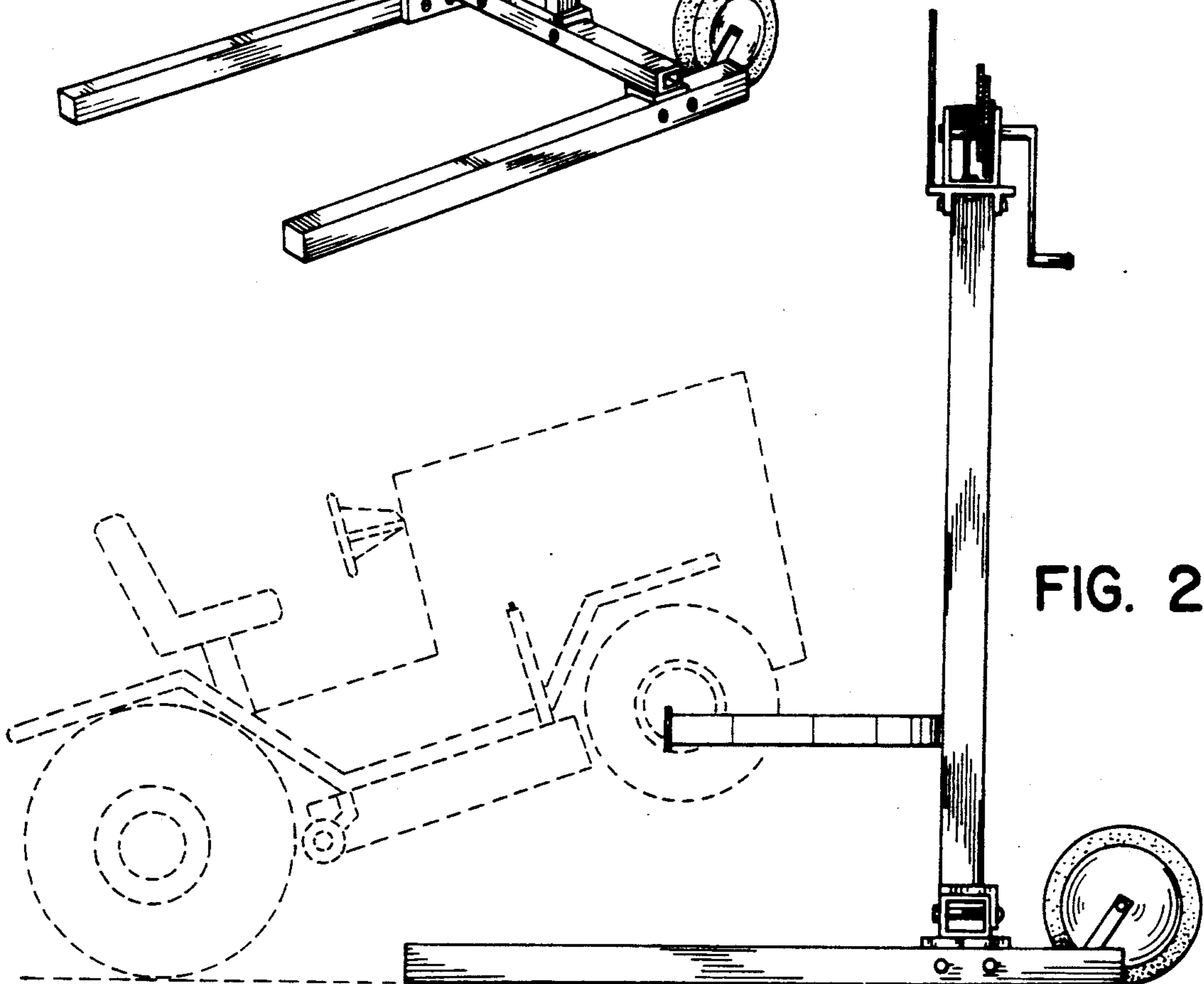


FIG. 2



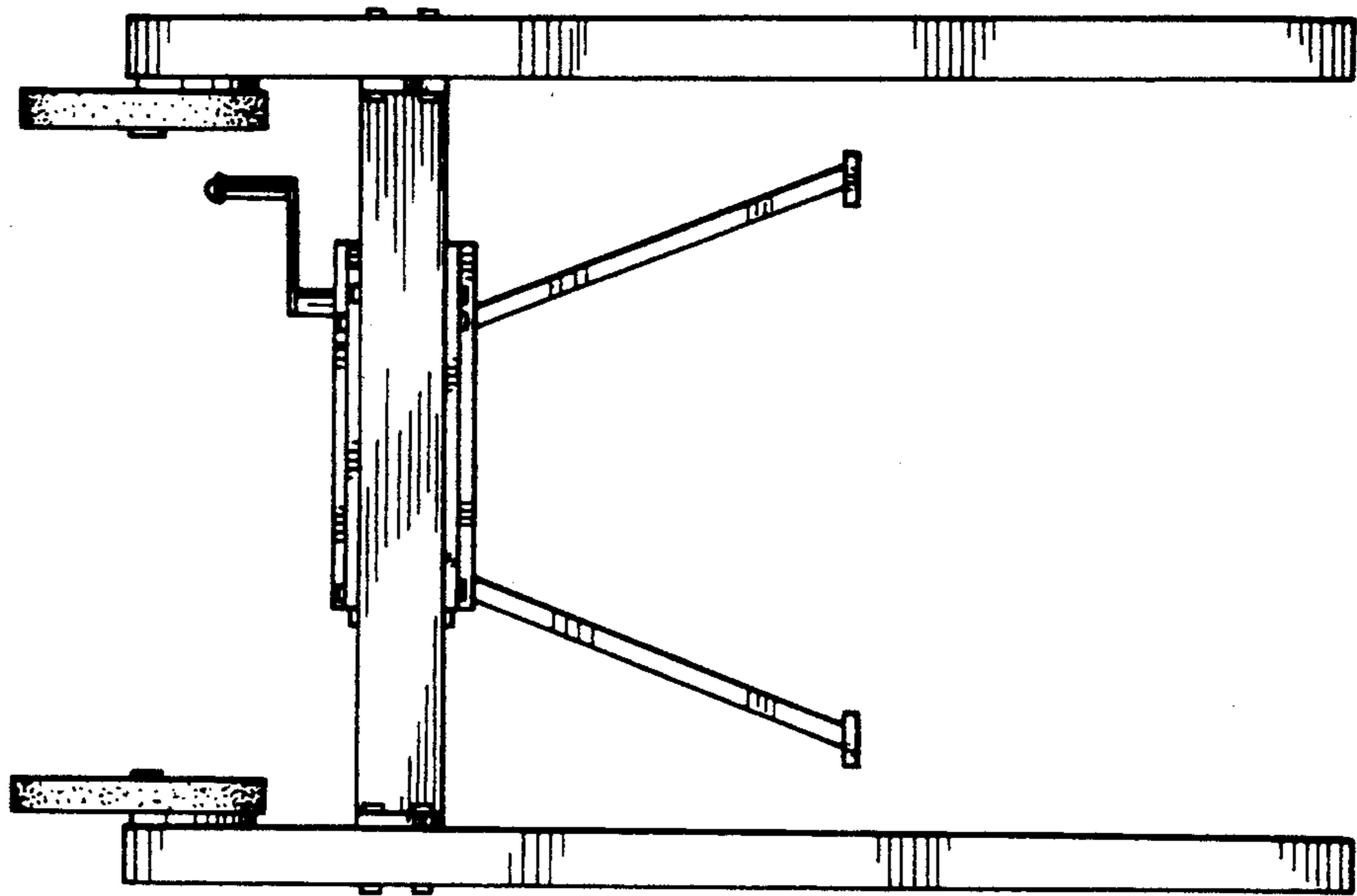


FIG. 3

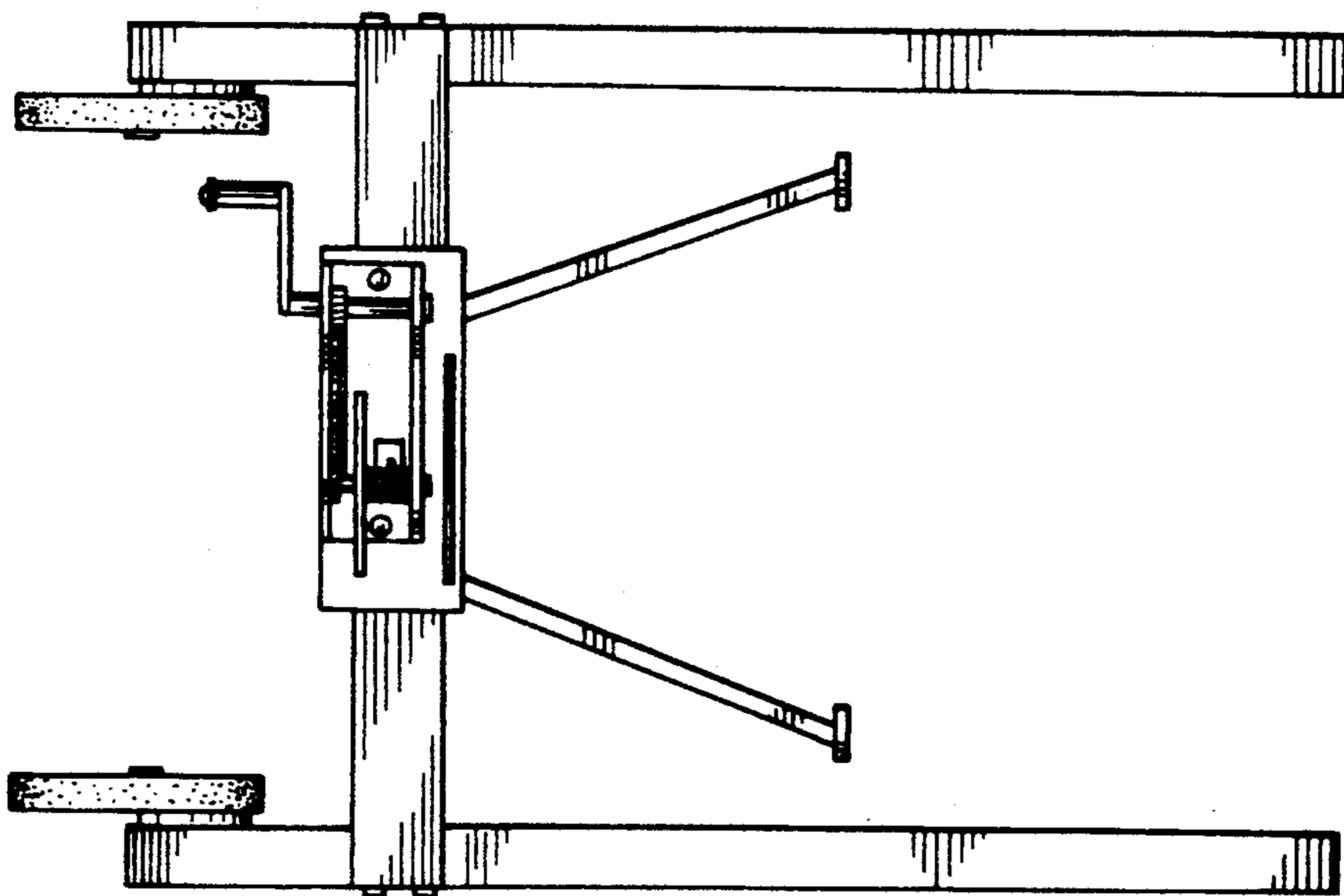


FIG. 4

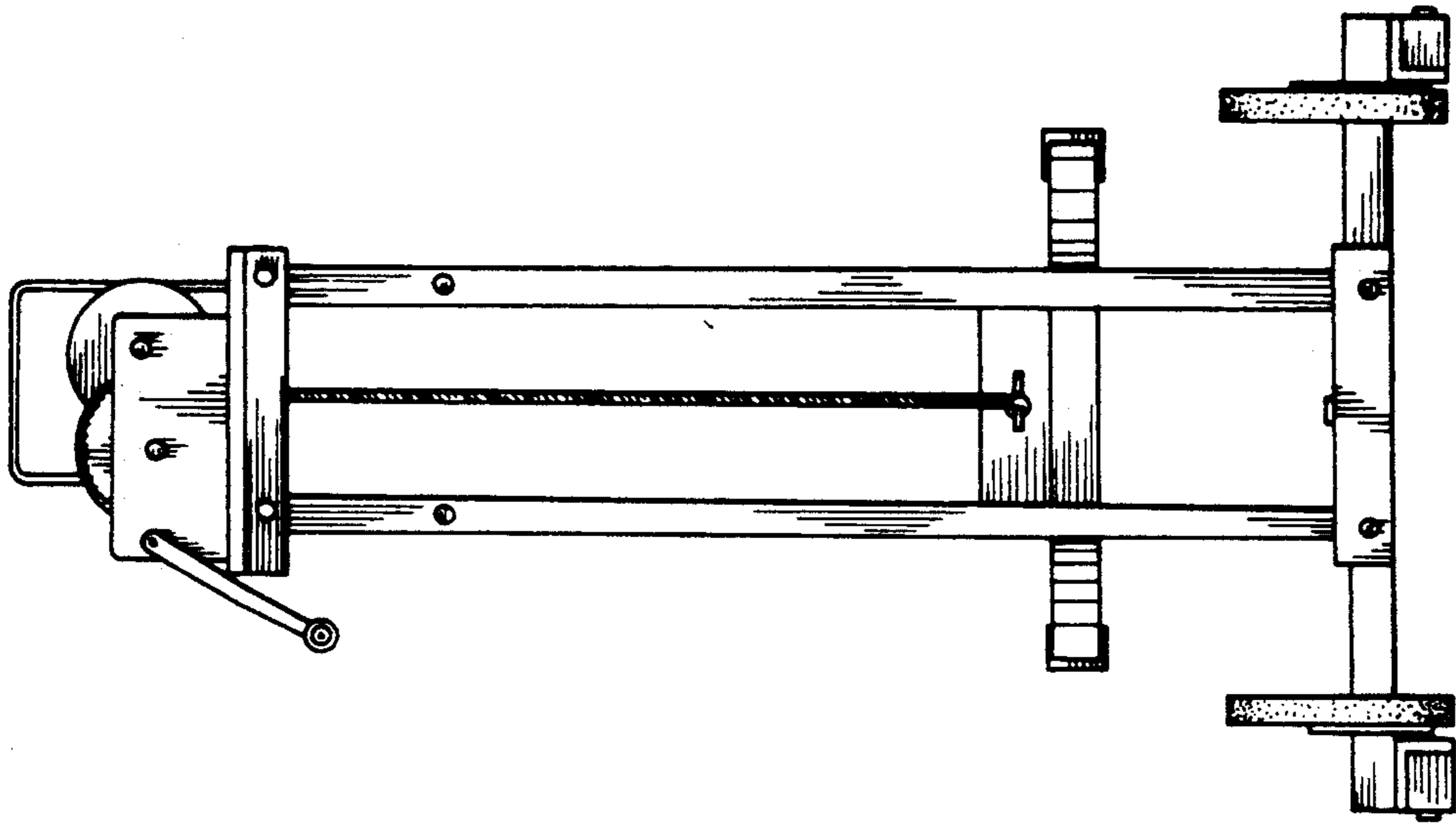


FIG. 6

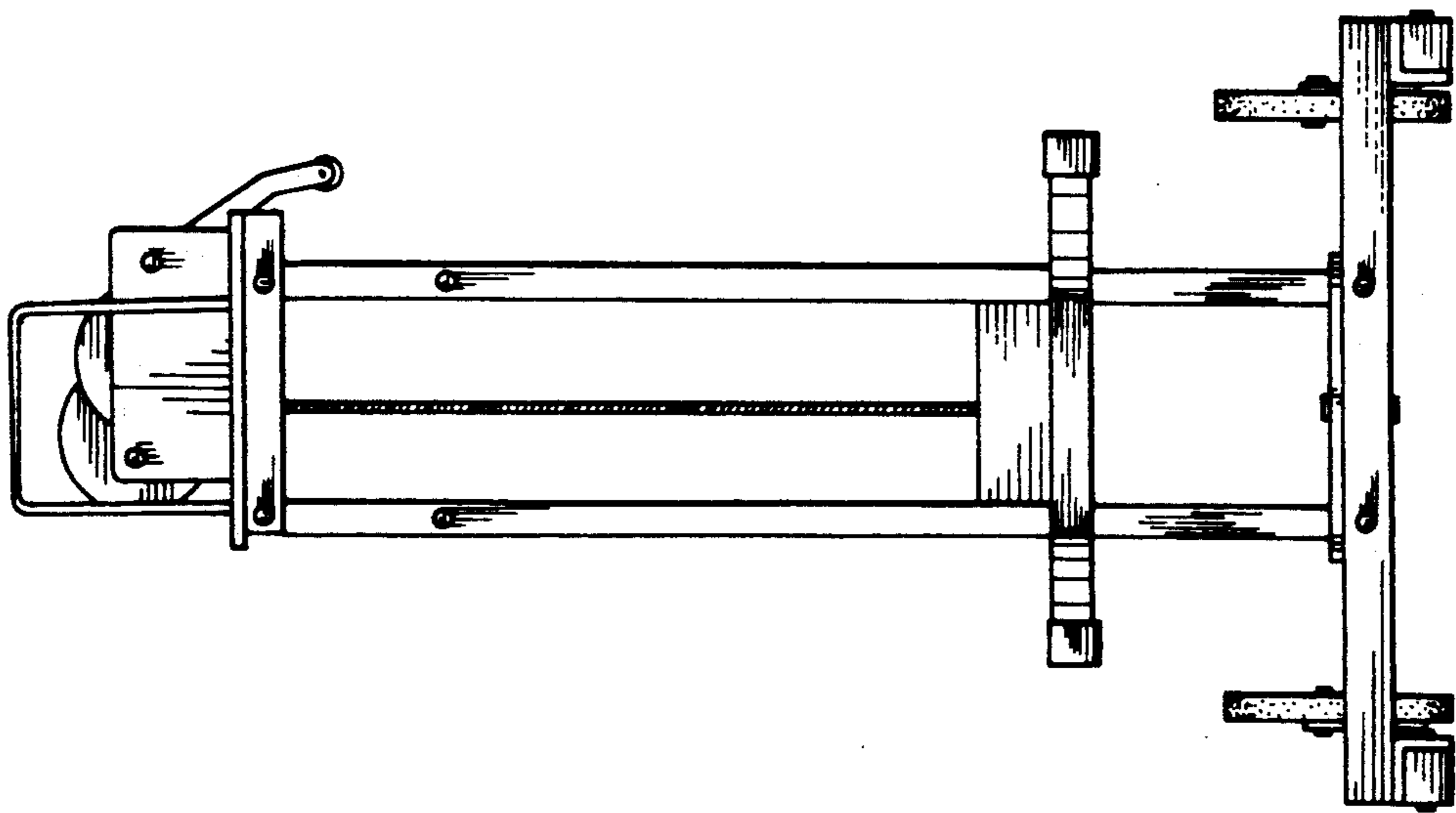


FIG. 5