



US00D331993S

# United States Patent [19]

[11] Patent Number: **Des. 331,993**

Holzman

[45] Date of Patent: **\*\* Dec. 22, 1992**

[54] EQUINE EQUIPMENT STORAGE CART

D. 272,574 2/1984 Sprinski ..... D34/19  
D. 276,947 12/1984 Dennis ..... D34/19

[75] Inventor: **Bernard H. Holzman, Miami, Fla.**

*Primary Examiner*—Kay H. Chin  
*Attorney, Agent, or Firm*—Herman Hohausser

[73] Assignee: **Dox Industries, Miami, Fla.**

[\*\*] Term: **14 Years**

[57] **CLAIM**

[21] Appl. No.: **670,168**

The ornamental design for an equine equipment storage cart, as shown and described.

[22] Filed: **Mar. 15, 1991**

**DESCRIPTION**

[52] U.S. Cl. .... **D34/19; D34/17**

[58] Field of Search ..... **D34/12, 17, 18, 19, D34/20, 21; D15/1, 3; 280/47.34, 79.2; 312/250; 220/908**

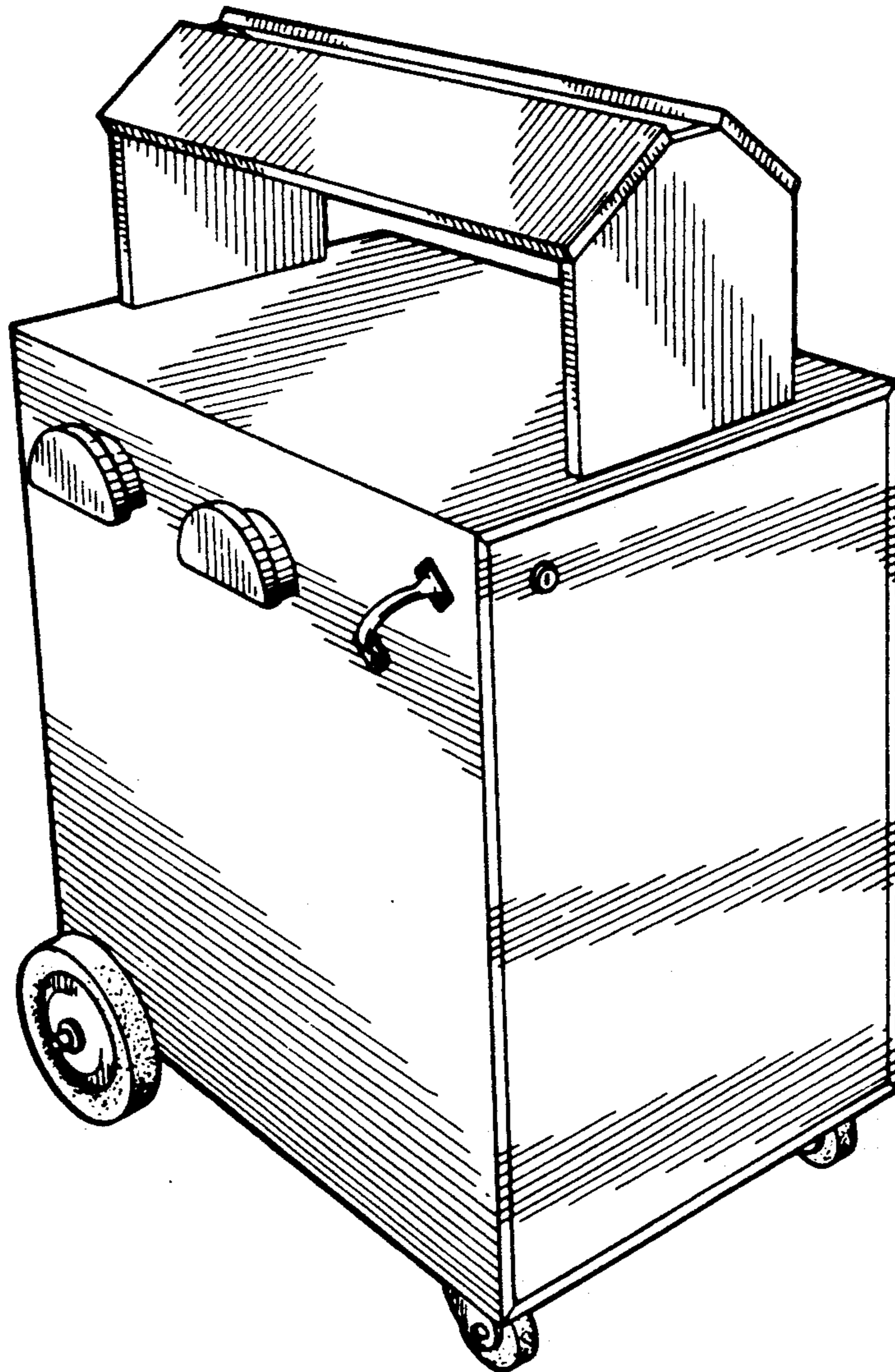
FIG. 1 is a top and side perspective view of an equine equipment storage cart showing my new design; FIG. 2 is a left side elevational view thereof, the right side elevational view being a mirror image of the shown;

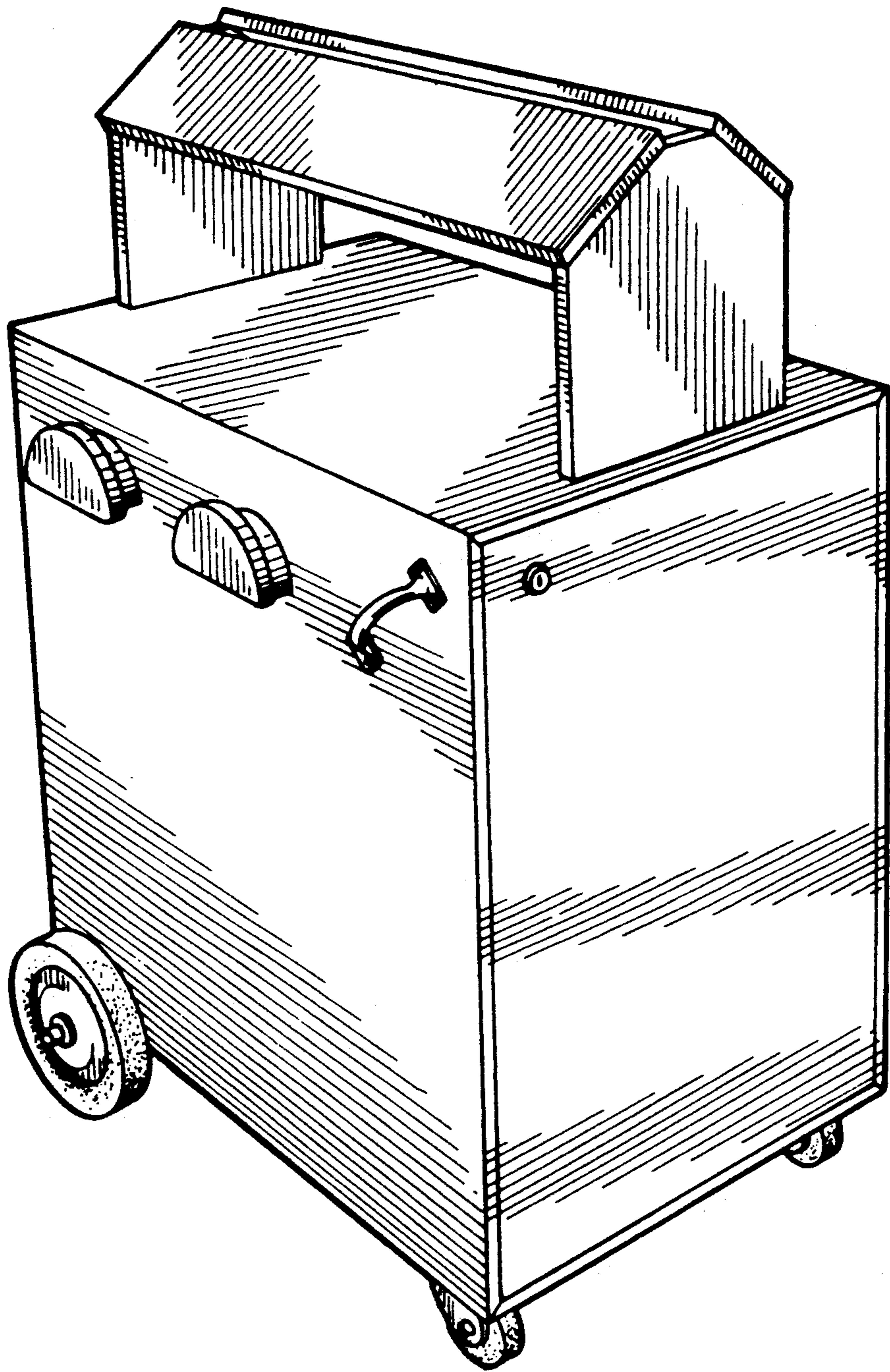
[56] **References Cited**

**U.S. PATENT DOCUMENTS**

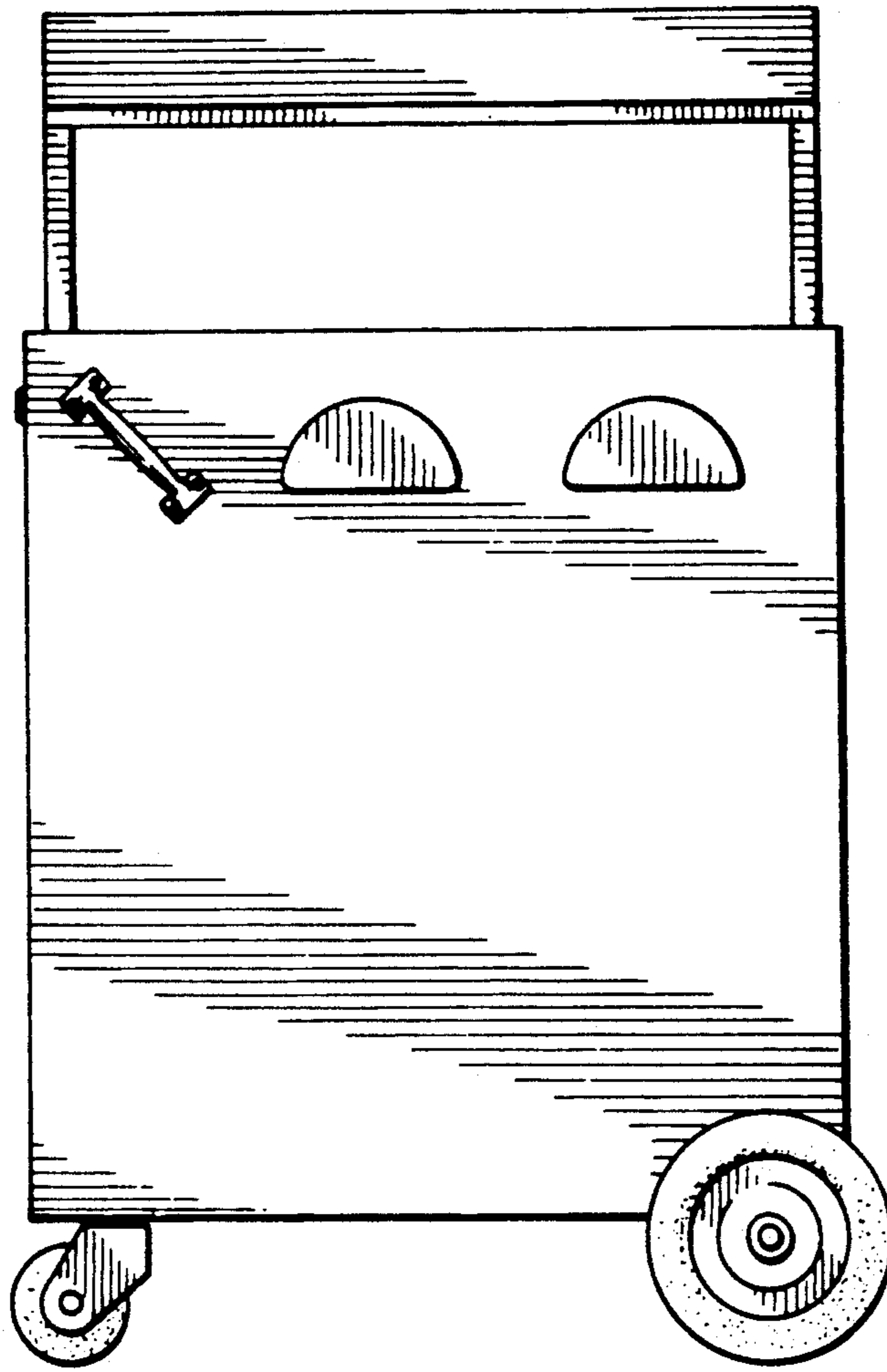
D. 147,437 9/1947 Folk ..... D34/19  
D. 184,440 2/1959 Heyer ..... D34/19

FIG. 3 is a top plan view thereof; FIG. 4 is a front elevational view thereof; FIG. 5 is a bottom plan view thereof; and, FIG. 6 is a rear elevational view thereof.

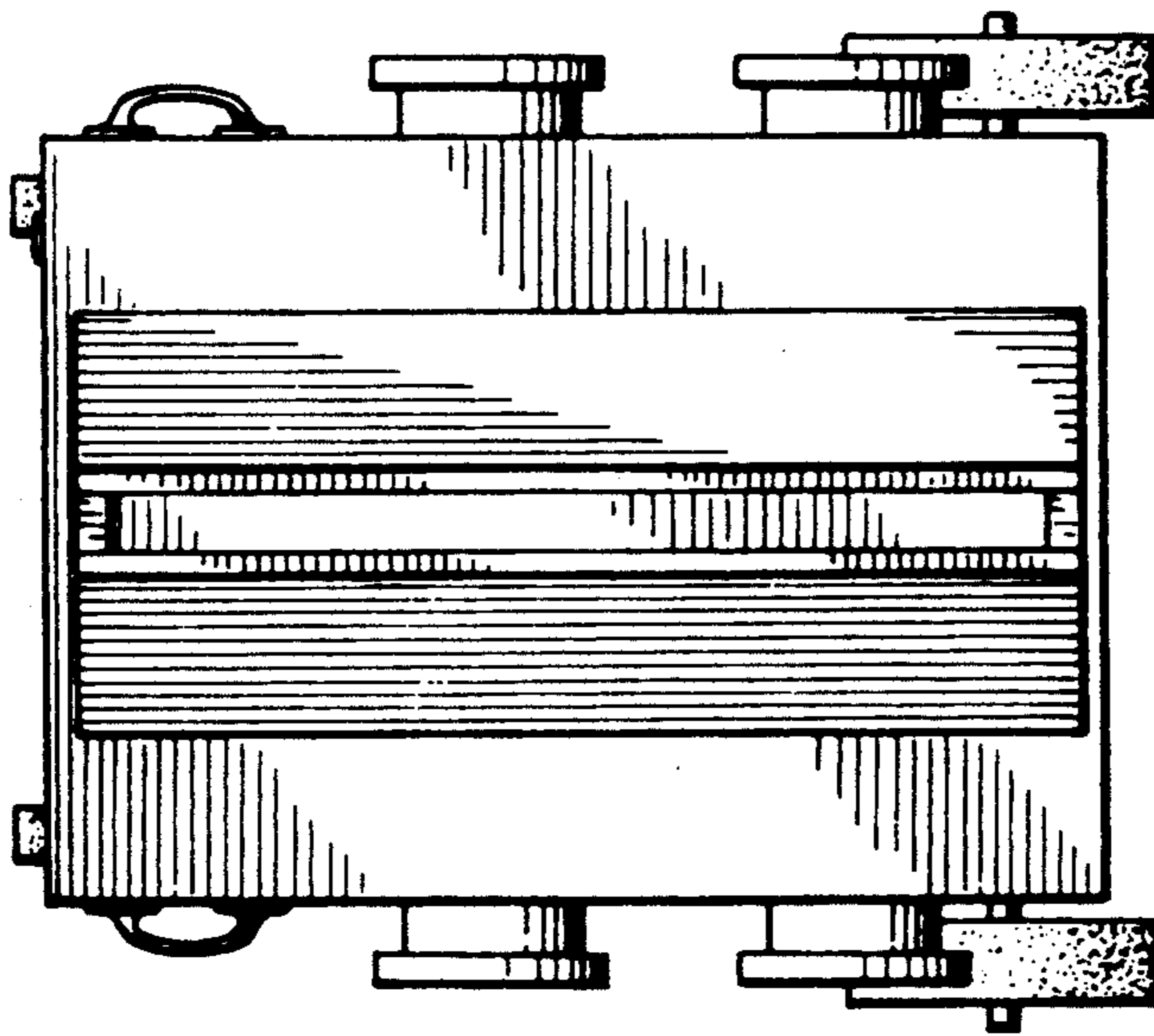




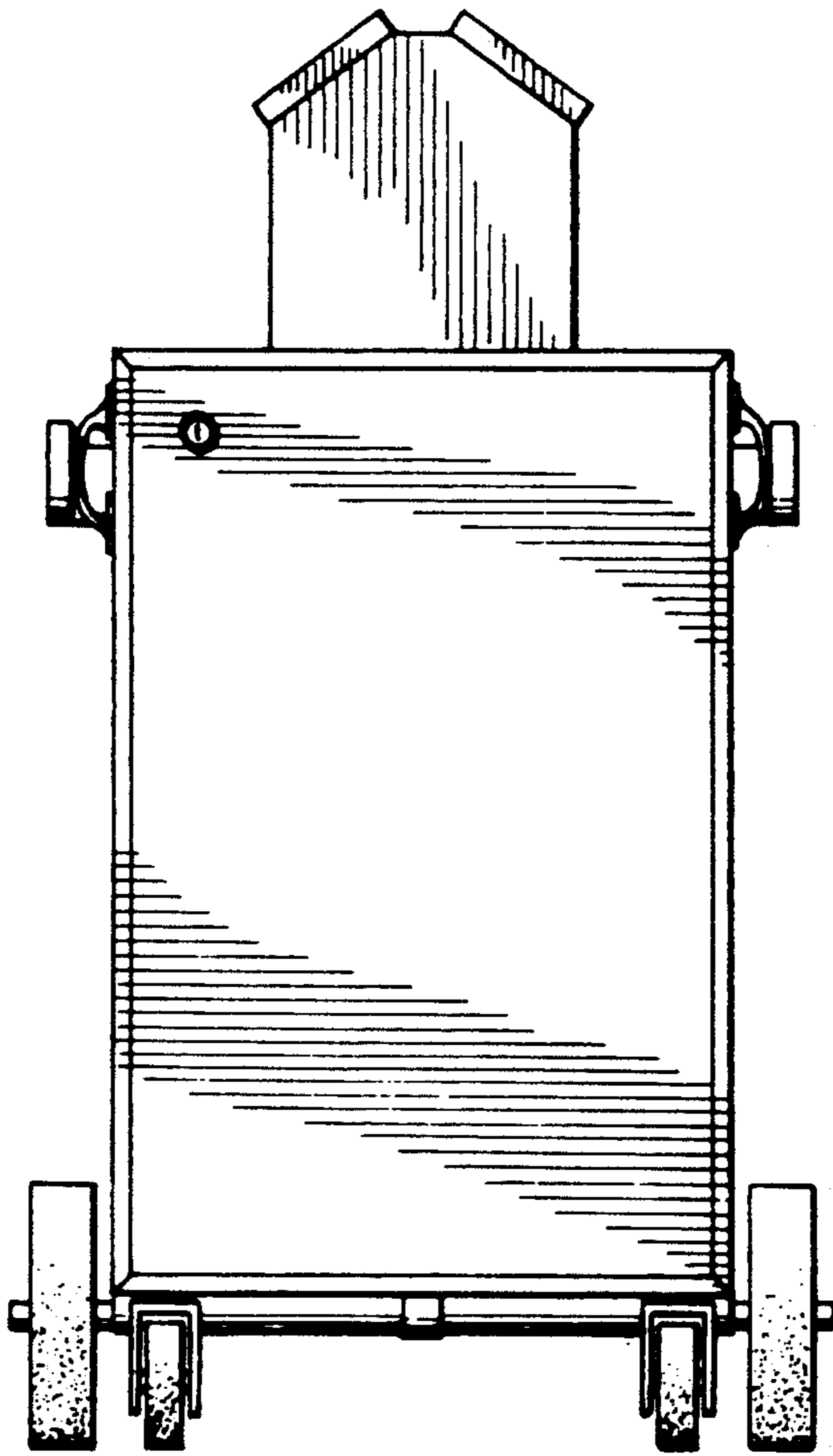
**FIG. 1**



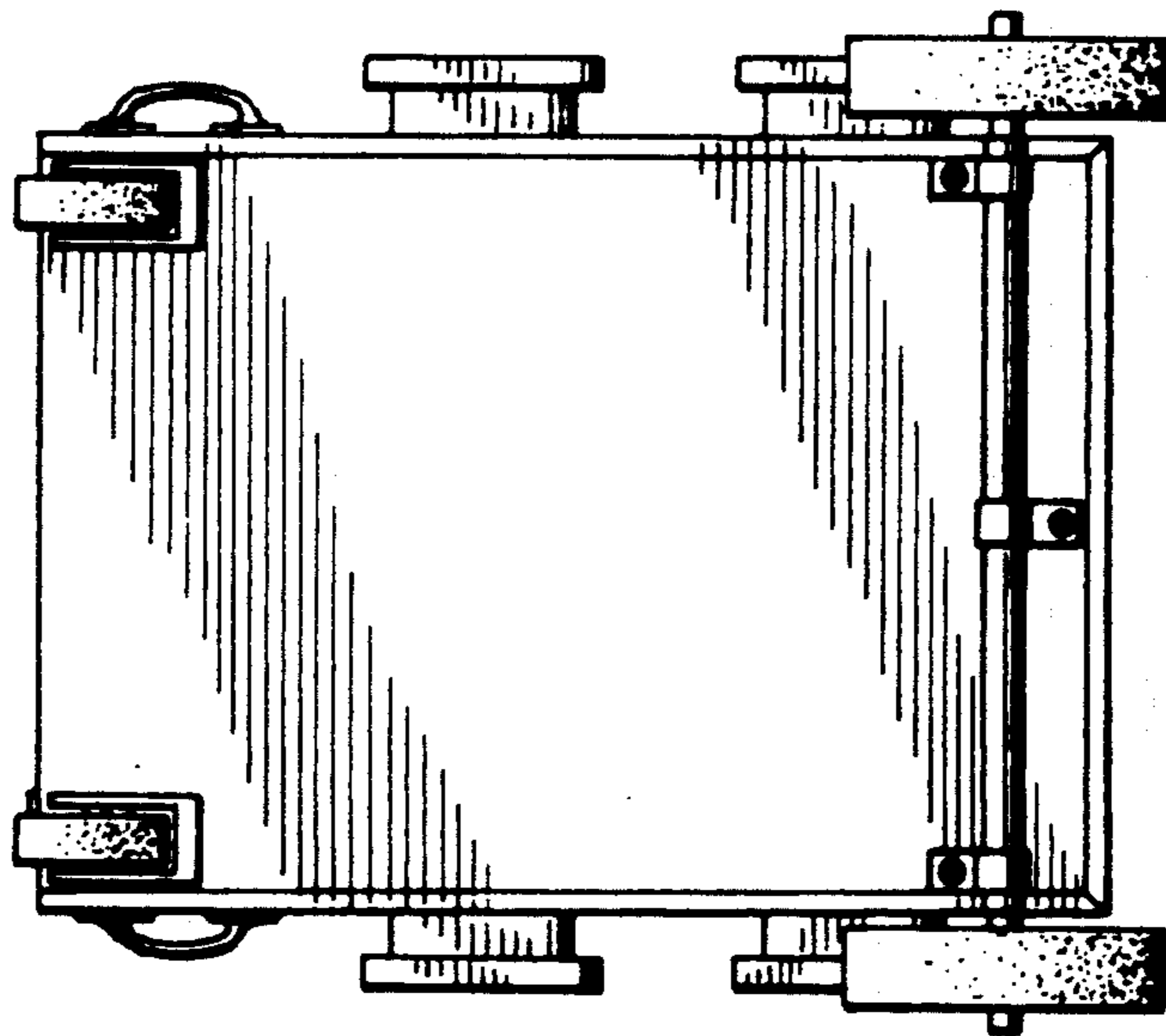
**FIG. 2**



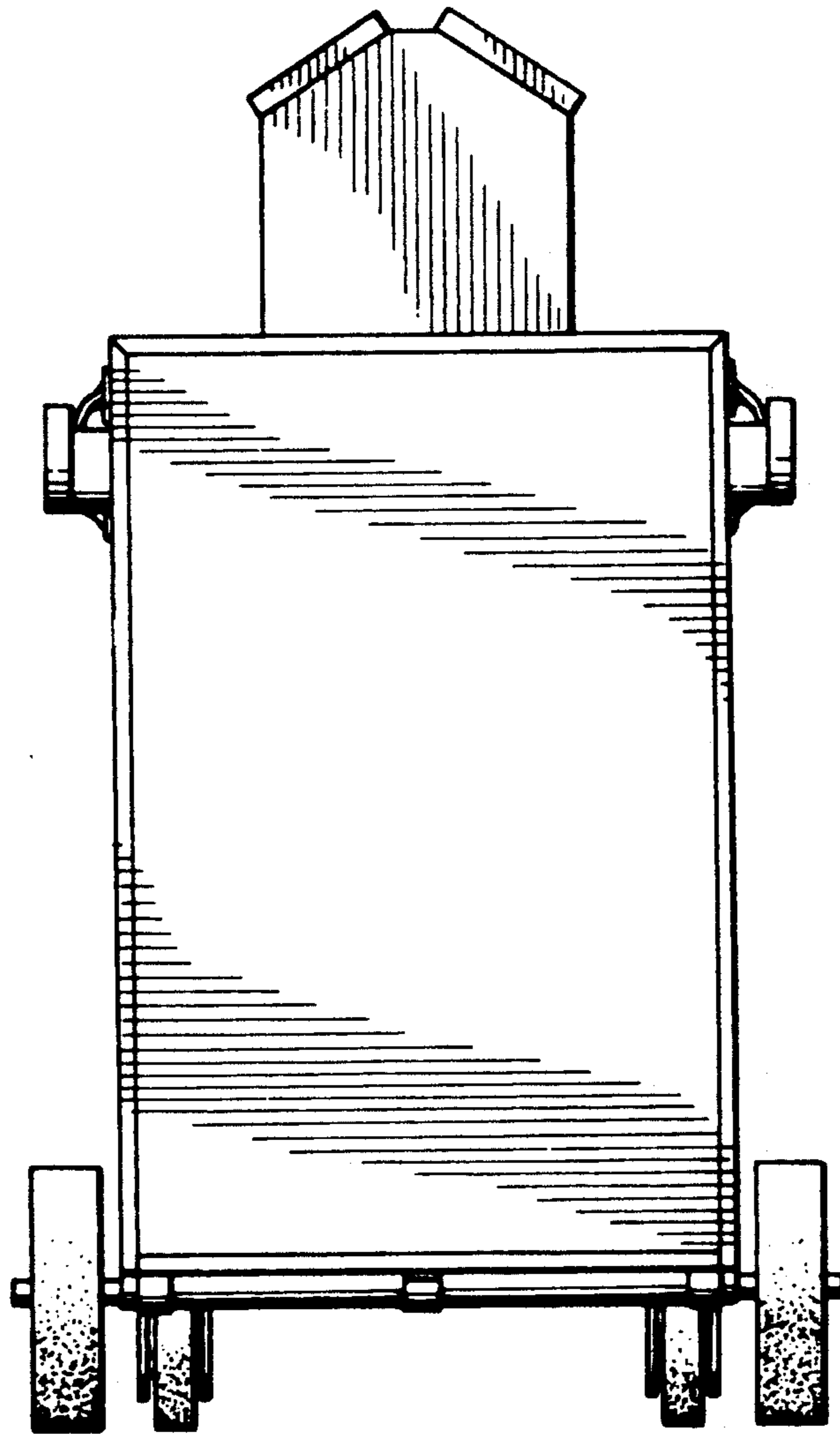
**FIG. 3**



**FIG. 4**



**FIG. 5**



**FIG. 6**