



US00D331988S

United States Patent [19]

[11] Patent Number: **Des. 331,988**

Markert

[45] Date of Patent: **** Dec. 22, 1992**

[54] MASK

[76] Inventor: **Allan R. Markert**, 138 E. Sims St., St. Paul, Minn. 55117

[**] Term: **14 Years**

[21] Appl. No.: **751,589**

[22] Filed: **Aug. 22, 1991**

2,665,686	1/1954	Wood et al.	128/141
2,740,400	4/1956	Wines	D29/9
2,818,857	1/1958	Wilkins et al.	128/141
2,888,920	6/1959	Möllering et al.	D29/9 X
2,891,541	6/1959	Tietze	128/141
2,898,908	8/1959	Sovinsky	128/206.15 X
3,020,911	2/1962	Girden	128/141
3,152,588	10/1964	Rogowski	128/141
3,181,531	5/1965	Angioletti	128/206.24 X
3,220,408	11/1965	Silverberg	128/141
3,315,673	4/1967	Morton, Jr.	128/141
3,680,555	8/1972	Warneke	128/141
4,296,746	10/1981	Mason, Jr. et al.	128/201.15
4,756,308	7/1988	Ryback	D29/7 X

Related U.S. Application Data

[63] Continuation of Ser. No. 653,462, Feb. 8, 1991, which is a continuation of Ser. No. 559,494, Jul. 24, 1990, abandoned, which is a continuation of Ser. No. 947,960, Dec. 31, 1986, abandoned.

[52] U.S. Cl. **D29/9**

[58] Field of Search **D29/7, 8, 9, 10, 12, D29/15-18; 128/206.24, 206.17, 206.14, 206.15, 206.12, 206.21, 206.23, 206.24, 206.16; D2/236, 238; 2/5-8, 422, 424, 427-428; D16/102, 103**

Primary Examiner—A. Hugo Word
Assistant Examiner—Paula A. Mortimer
Attorney, Agent, or Firm—Merchant, Gould, Smith, Edell, Welter & Schmidt

[57] CLAIM

The ornamental design for a mask, as shown and described.

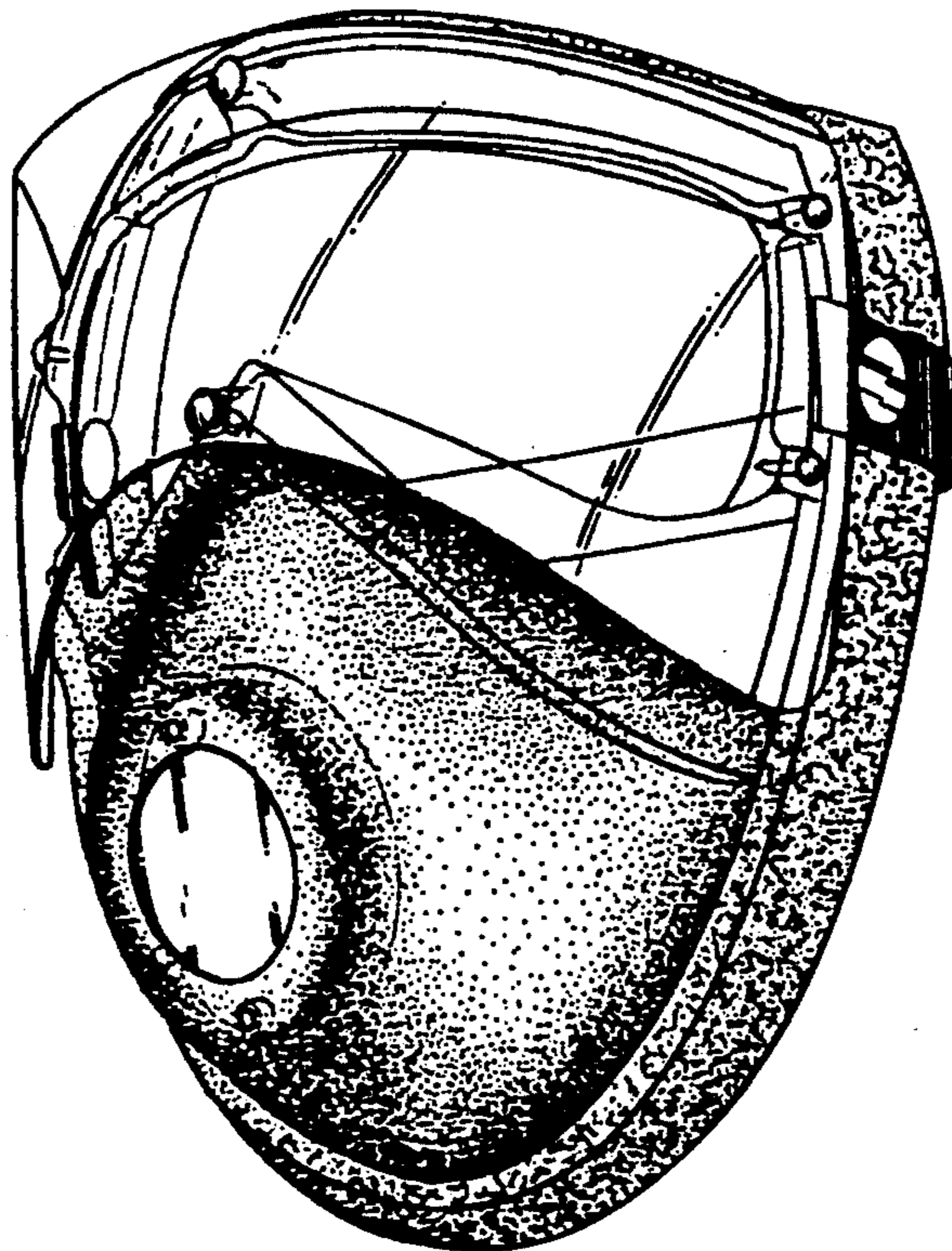
[56] References Cited

U.S. PATENT DOCUMENTS

57,527	4/1921	Knoblock	D29/9
D. 104,061	4/1937	Bullard	D29/9
D. 249,368	9/1978	Watkins, Jr.	D29/9
D. 271,144	10/1983	Gadberry	D29/9
1,176,901	3/1916	Jessup	.
2,314,889	3/1943	Manson et al.	128/146
2,344,920	3/1944	Maggi	128/141

DESCRIPTION

FIG. 1 is a front perspective view of a mask showing my new design;
 FIG. 2 is a left side elevational view thereof, the right side being a mirror image;
 FIG. 3 is a front elevational view thereof;
 FIG. 4 is a rear elevational view thereof;
 FIG. 5 is a top plan view thereof; and,
 FIG. 6 is a bottom plan view thereof.



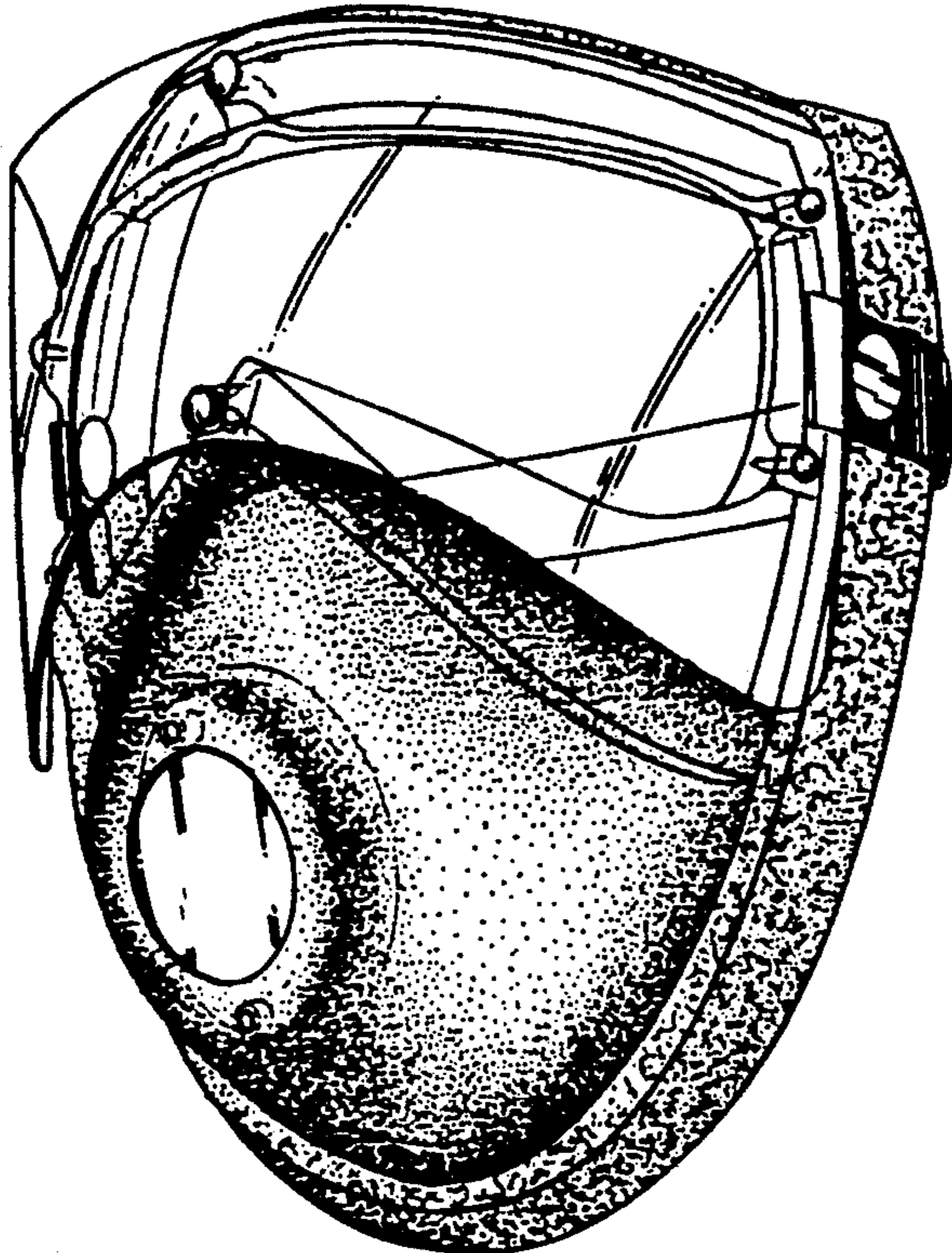


FIG. 1

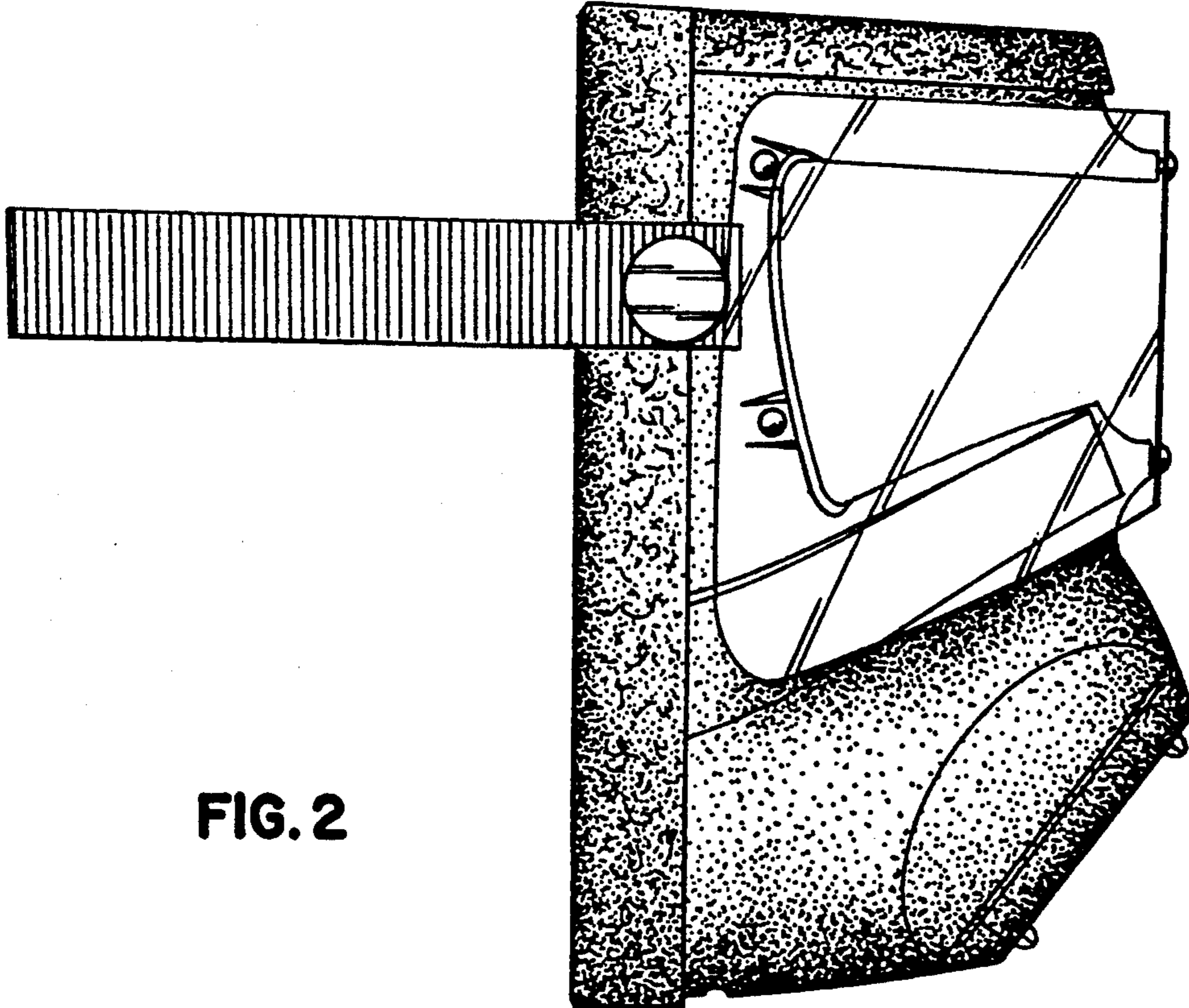


FIG. 2

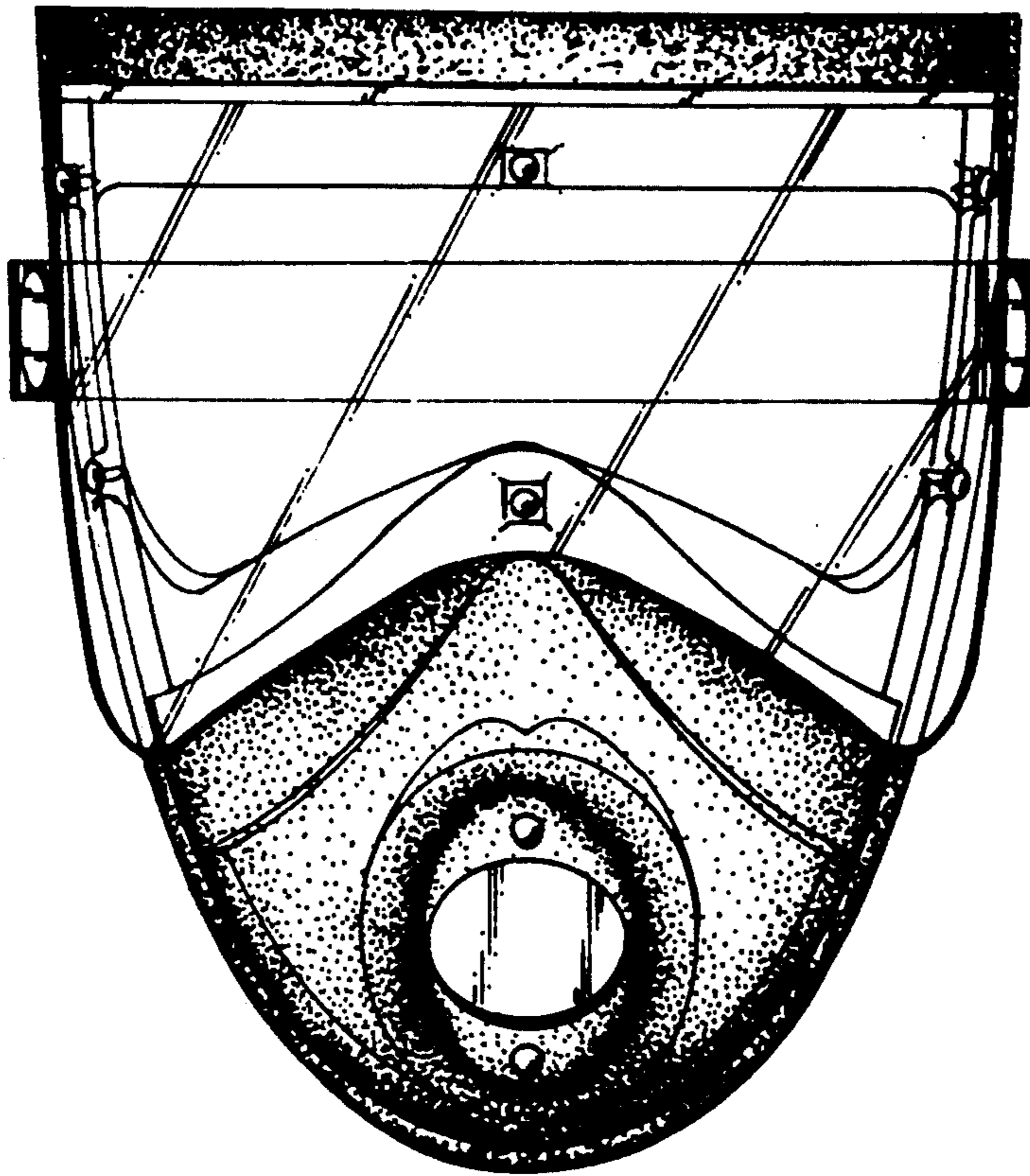


FIG. 3

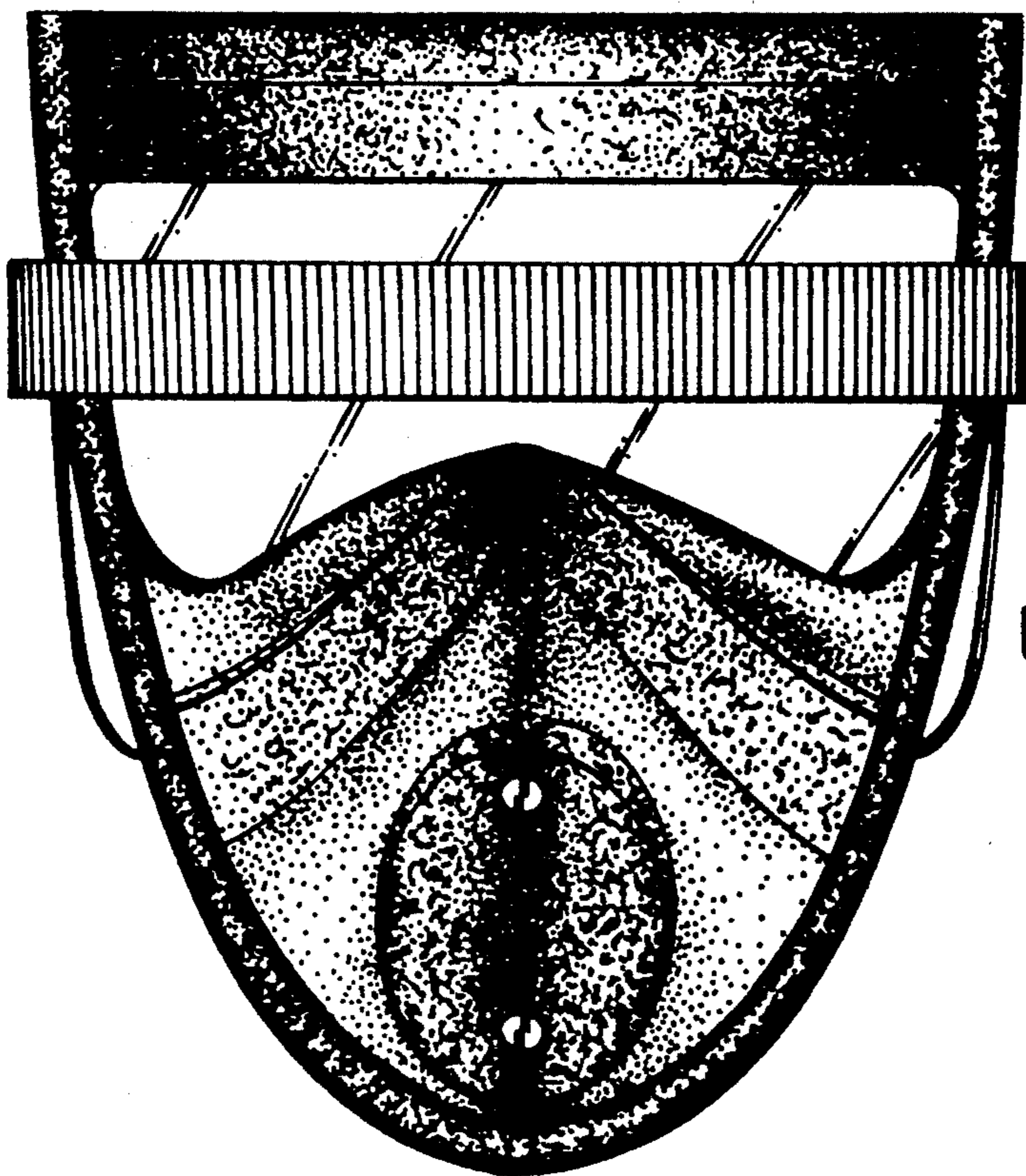


FIG. 4

FIG. 5

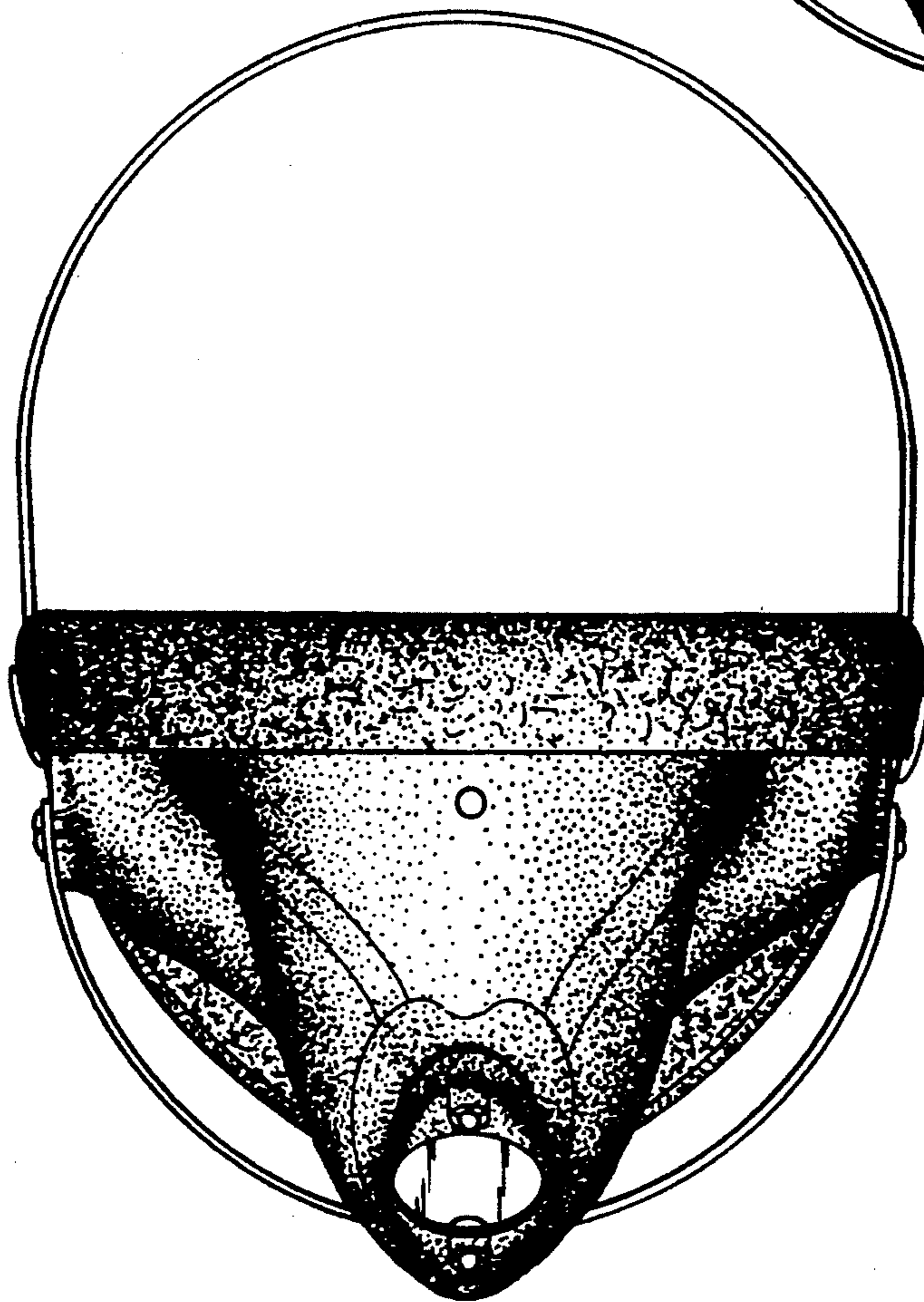
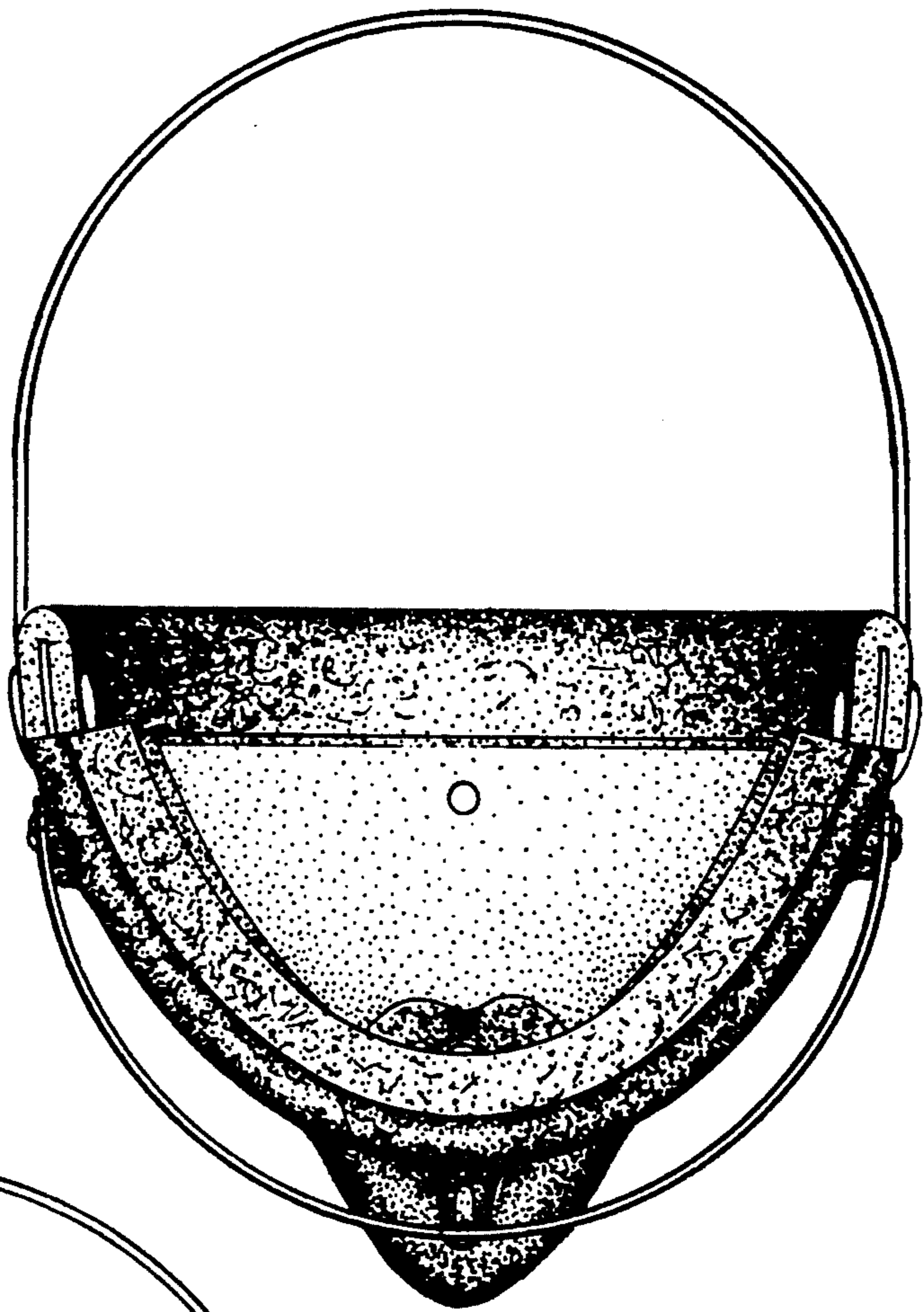


FIG. 6