



US00D331987S

United States Patent [19]

[11] Patent Number: **Des. 331,987**

Dieperink et al.

[45] Date of Patent: **** Dec. 22, 1992**

[54] **LUMINAIRE FOR A FREE STANDING FLOOR LAMP**

D. 309,793 8/1990 Frattini D26/87
D. 311,967 11/1990 Herst et al. D26/85
2,732,484 1/1956 Lipscomb D26/76 X
2,770,717 11/1956 Schwartz et al. D26/76 X

[75] Inventors: **Menno Dieperink**, Amsterdam;
Stefanus F. W. Joosten, Eindhoven,
both of Netherlands

OTHER PUBLICATIONS

Elliptipar, Inc. Lighting Catalog "Innovations",
©1986, p. 2, indirect wall lamp (top left).

[73] Assignee: **U.S. Philips Corporation**, New York,
N.Y.

Primary Examiner—Susan J. Lucas
Attorney, Agent, or Firm—Jack E. Haken

[**] Term: **14 Years**

[21] Appl. No.: **510,802**

[57] CLAIM

[22] Filed: **Apr. 18, 1990**

The ornamental design for a luminaire for a free stand-
ing floor lamp, as shown.

[30] Foreign Application Priority Data

Oct. 30, 1989 [WO] World Int. Prop. O. DM/014914

DESCRIPTION

[52] U.S. Cl. **D26/109; D26/87**

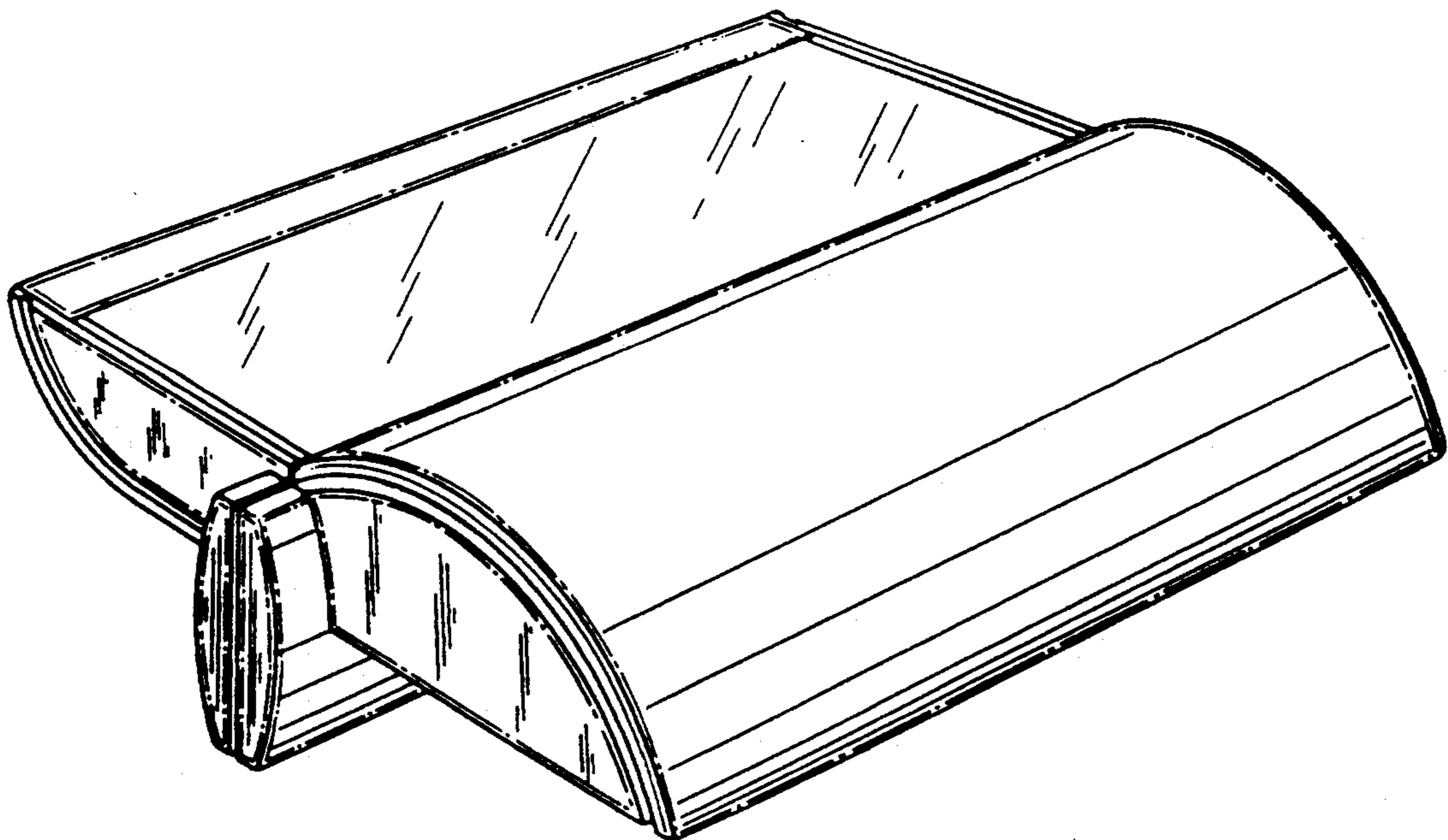
[58] Field of Search D26/72-92;
362/147, 404, 432, 217, 222, 223, 362, 410-414

FIG. 1 is a perspective view of a luminaire for a free
standing floor lamp showing our new design;
FIG. 2 is a front elevational view thereof;
FIG. 3 is a rear elevational view thereof;
FIG. 4 is a left side elevational view thereof;
FIG. 5 is a right side elevational view thereof;
FIG. 6 is a top plan view thereof; and,
FIG. 7 is a bottom plan view thereof.

[56] References Cited

U.S. PATENT DOCUMENTS

D. 308,260 5/1990 Shemitz D26/85



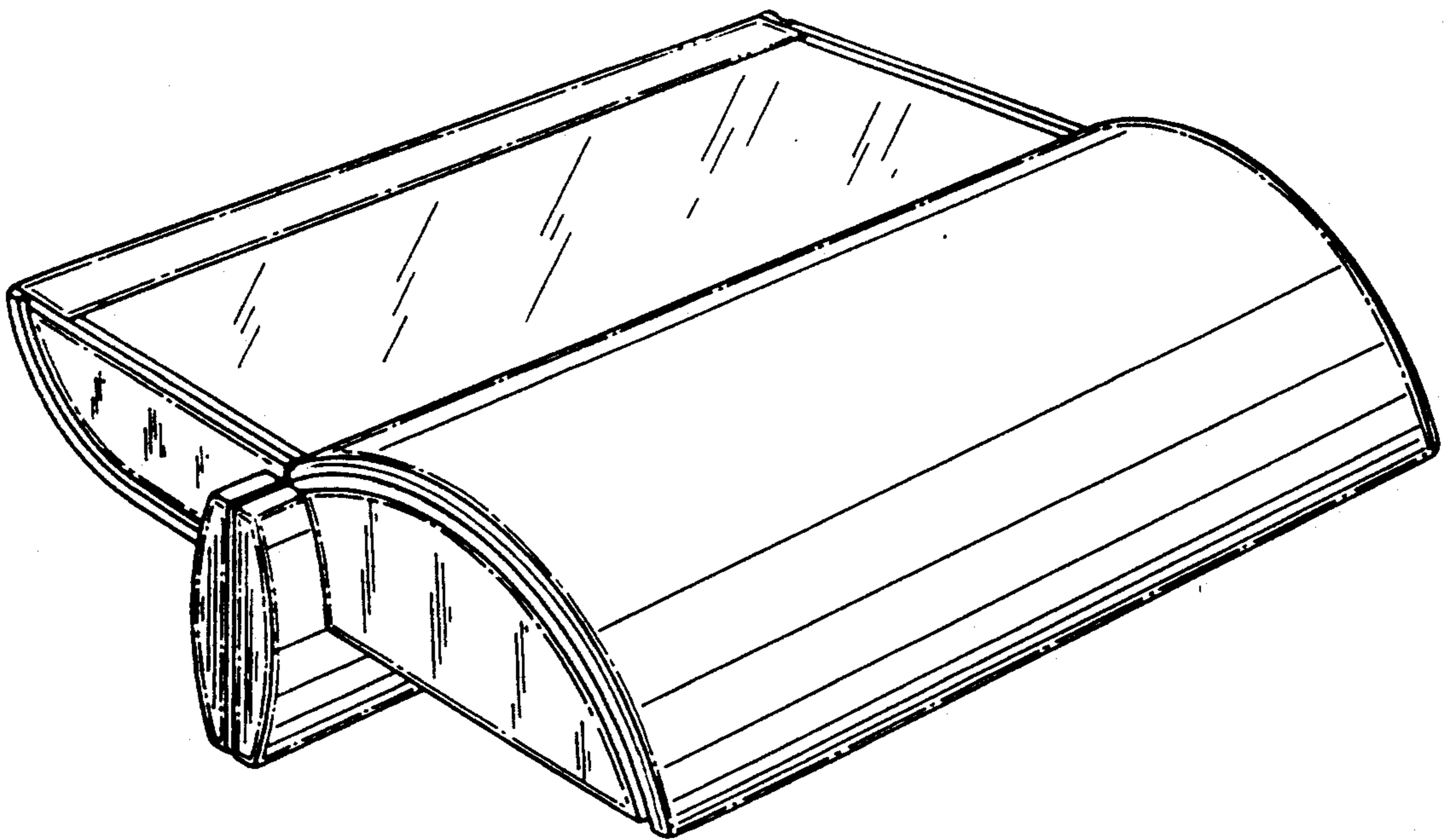


FIG. 1

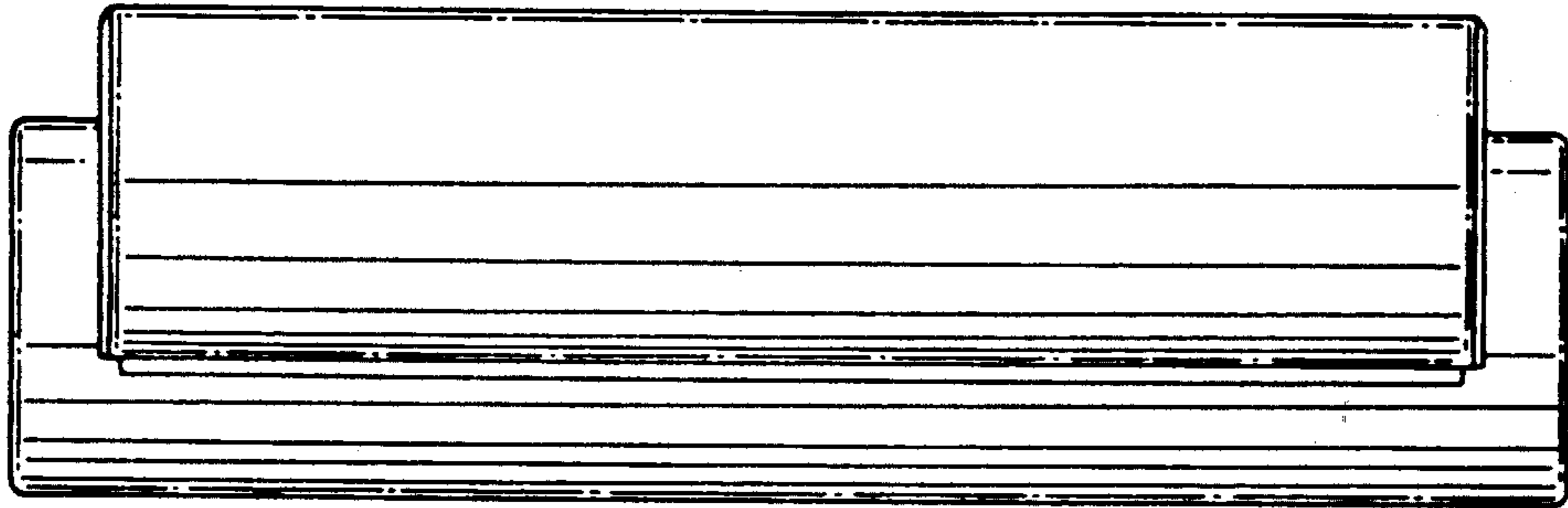


FIG. 2

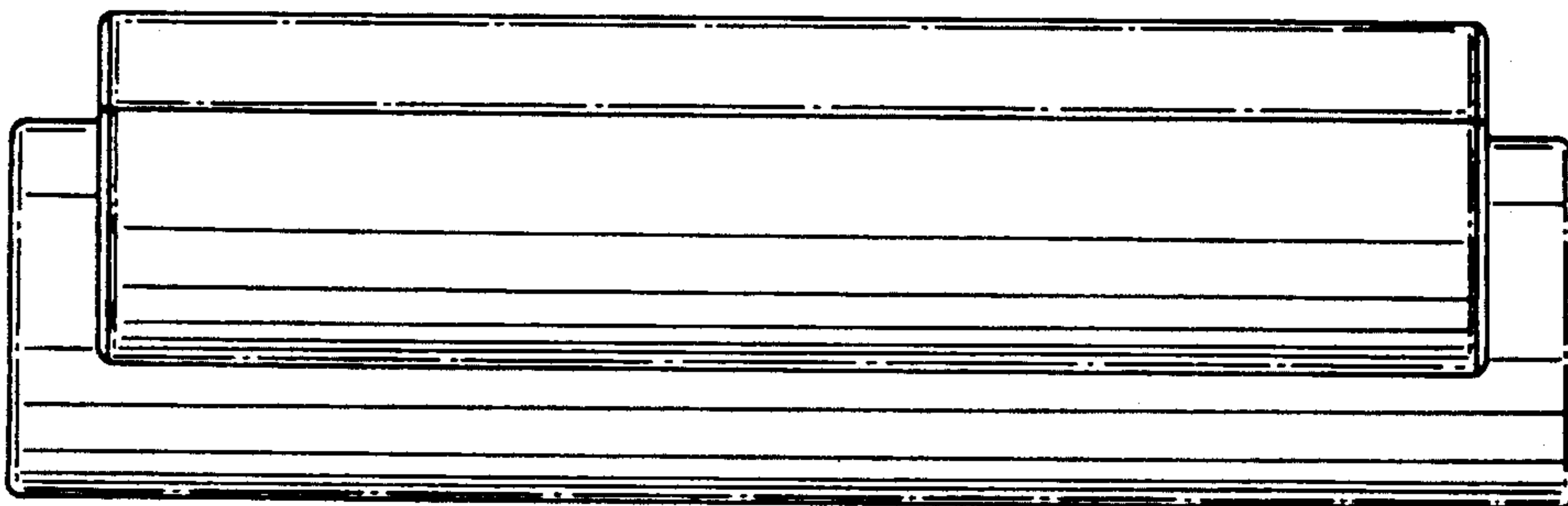


FIG. 3

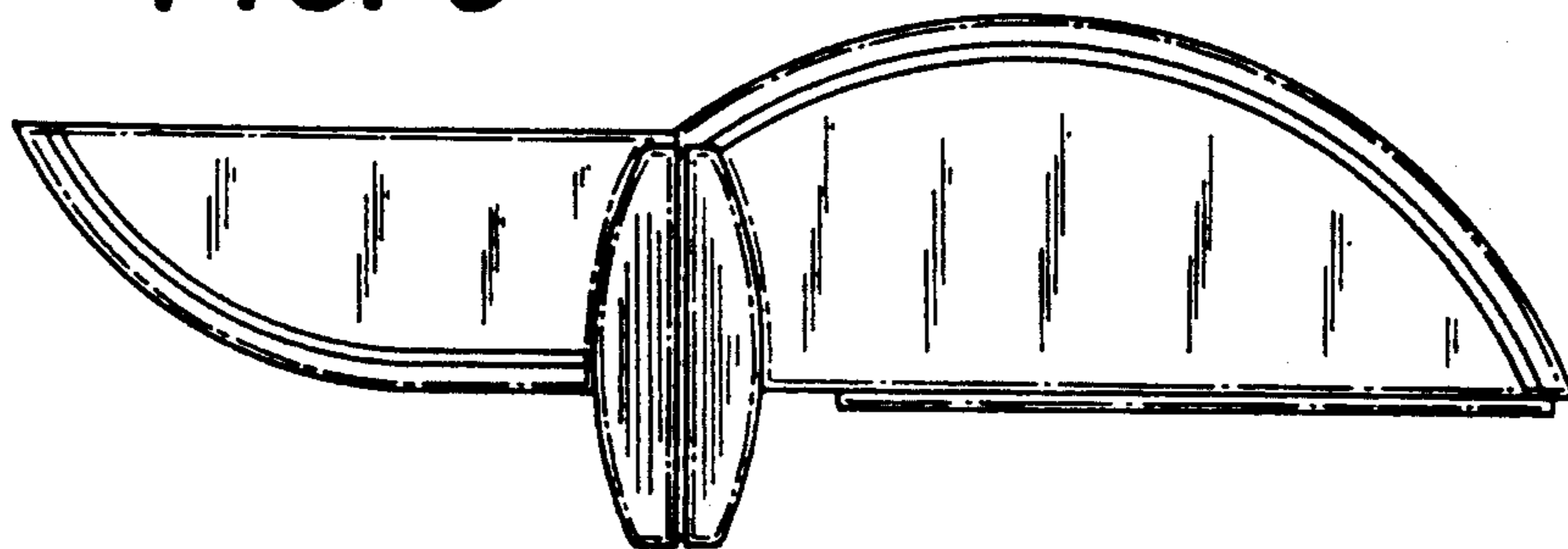


FIG. 4

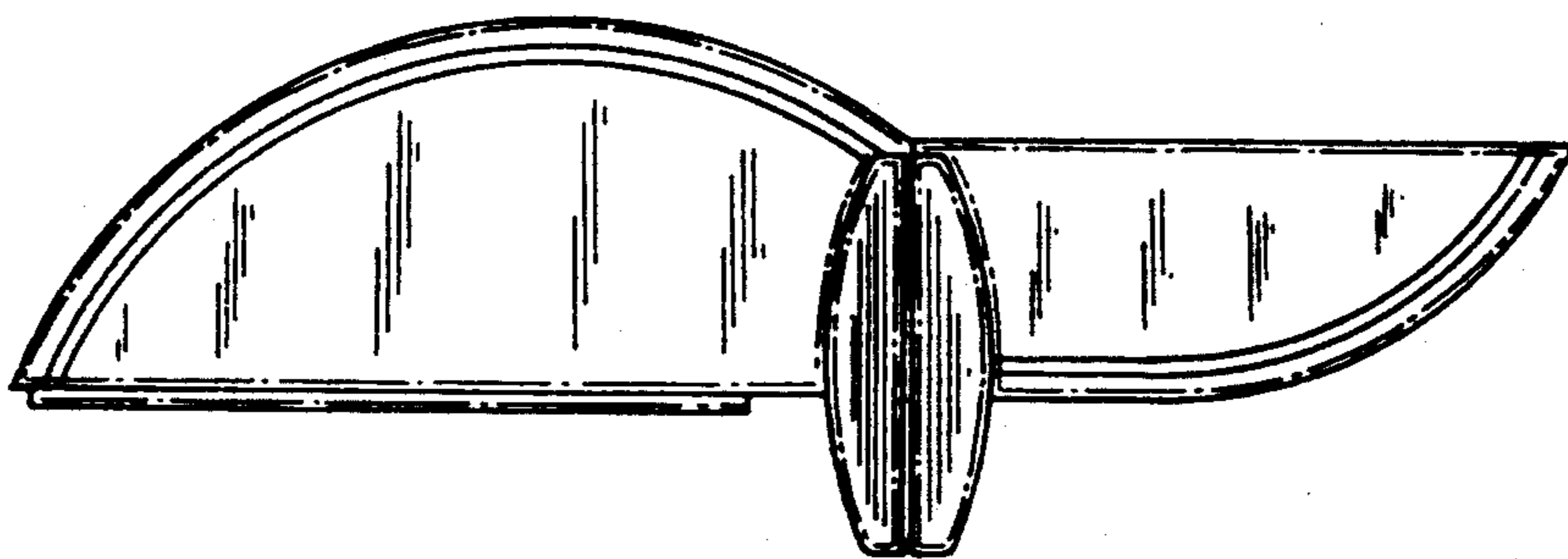


FIG. 5

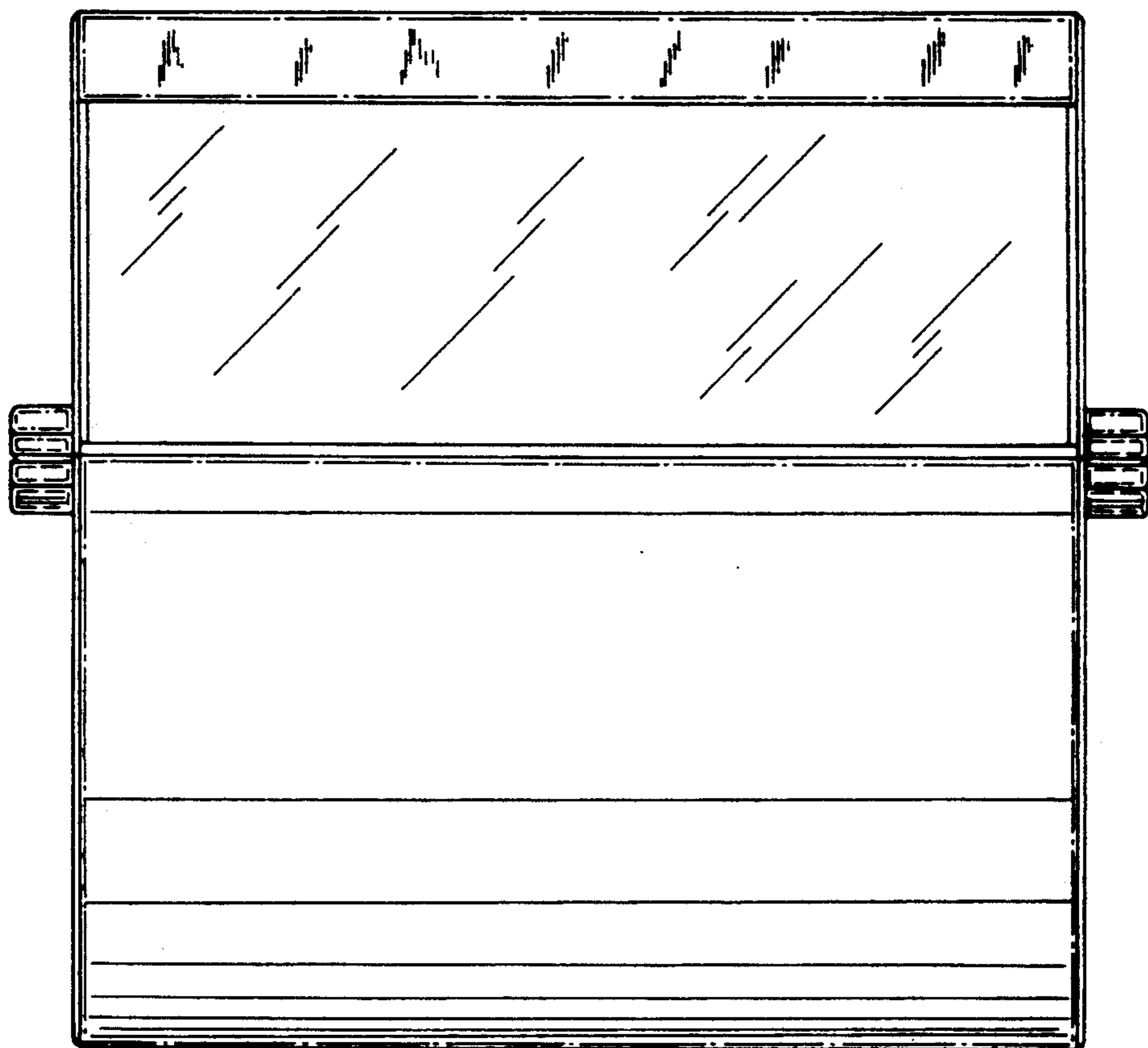


FIG. 6

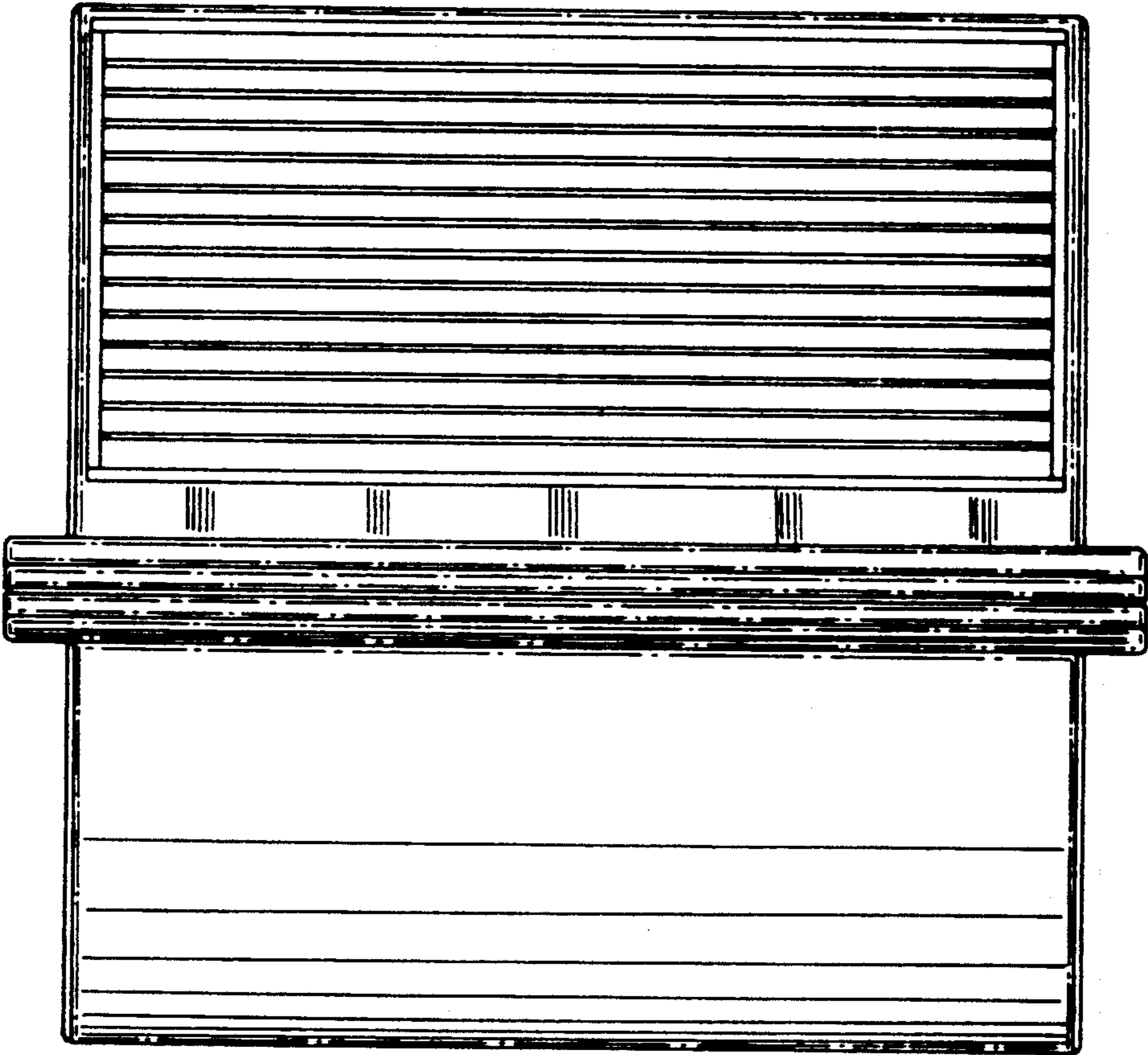


FIG. 7