



US00D331985S

United States Patent [19]

Schaffer

[11] Patent Number: **Des. 331,985**

[45] Date of Patent: **** Dec. 22, 1992**

[54] **ADJUSTABLE ARM FOR A DESK LAMP**

3,253,340 5/1966 Farnam 248/281.1 X
3,820,752 6/1974 Oram 362/427 X

[75] Inventor: **Irving Schaffer**, Fairfield, Conn.

[73] Assignee: **Luxo Corporation**, Port Chester, N.Y.

Primary Examiner—Susan J. Lucas
Attorney, Agent, or Firm—Fitzpatrick, Cella, Harper & Scinto

[**] Term: **14 Years**

[57] CLAIM

[21] Appl. No.: **625,462**

The ornamental design for a adjustable arm for a desk lamp, as shown and described.

[22] Filed: **Dec. 11, 1990**

DESCRIPTION

[52] U.S. Cl. **D26/65; D26/140**

[58] Field of Search **D26/60-66, D26/138, 140; 362/269, 277, 285, 413, 418, 419, 427, 401, 402; 248/281.1, 280.1, 282, 289, 284**

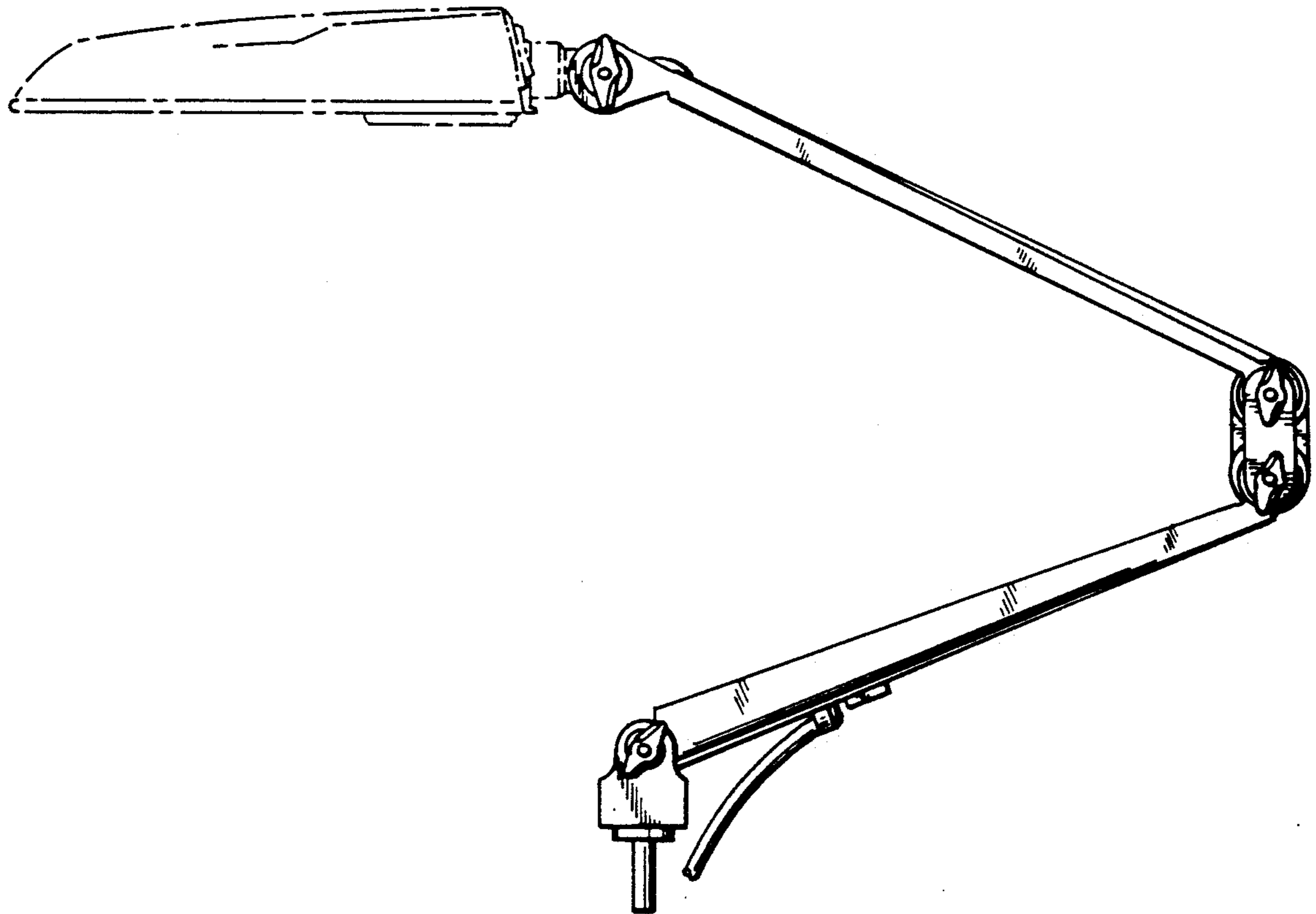
FIG. 1 is a right side elevational view of an adjustable arm for a desk lamp showing my new design; FIG. 2 is a left side elevational view thereof; FIG. 3 is a front elevational view thereof; FIG. 4 is a rear elevational view thereof; FIG. 5 is a top plan view thereof; and, FIG. 6 is a bottom plan view thereof.

[56] References Cited

U.S. PATENT DOCUMENTS

D. 174,508 4/1955 Mehr D26/60
2,440,873 5/1948 Popp et al. 362/419 X

The desk lamp head is shown in broken lines for illustrative purposes only.



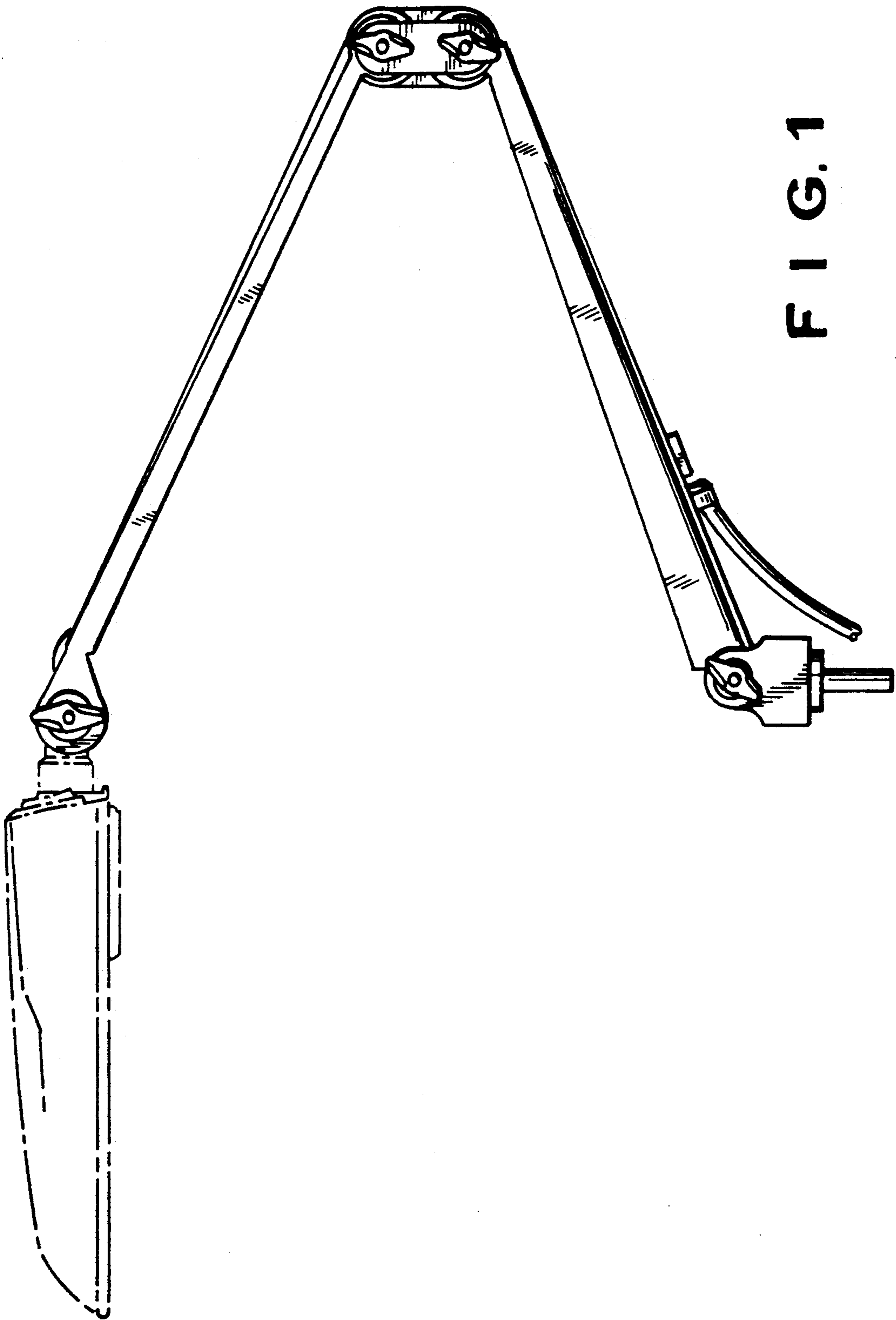


FIG. 1

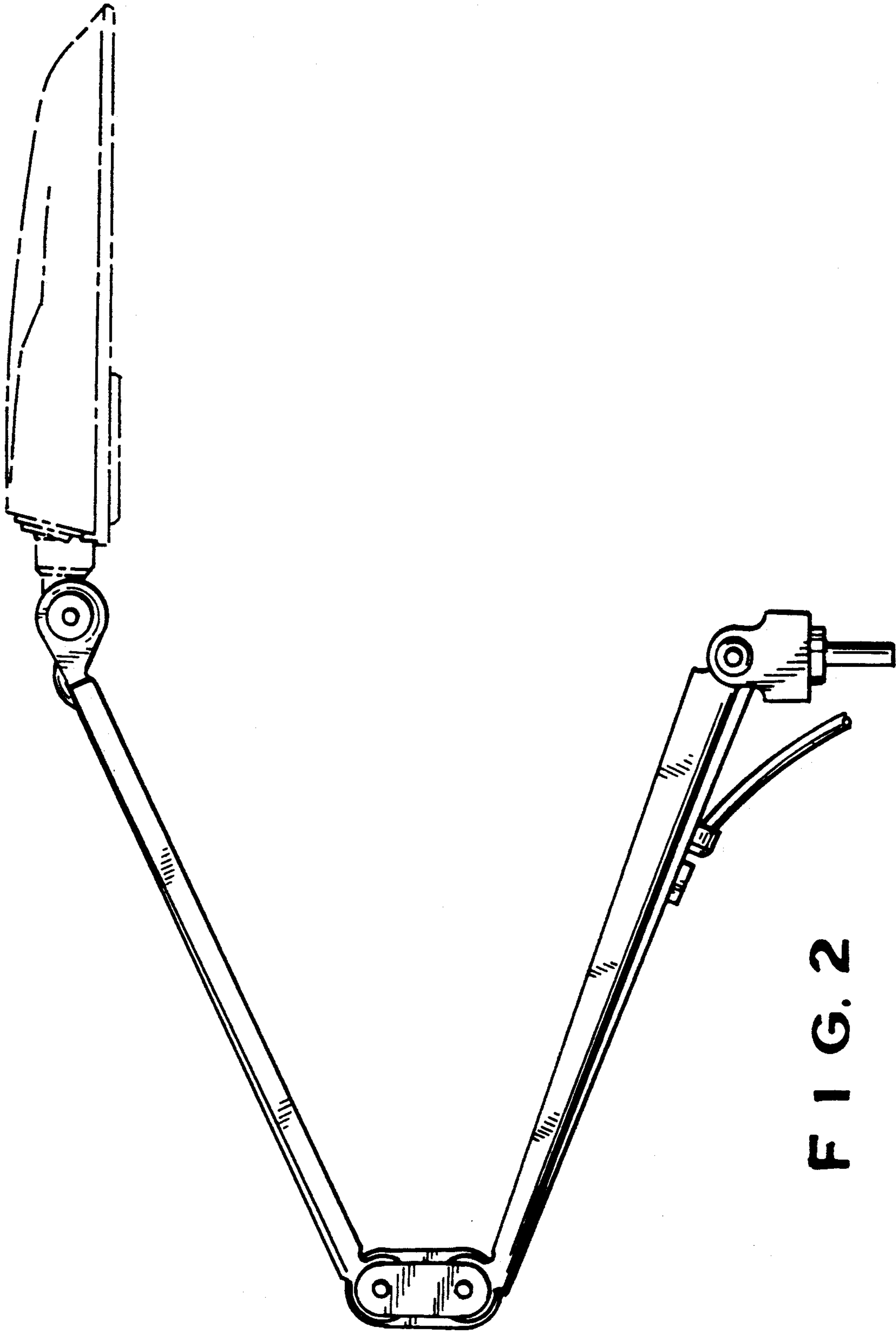


FIG. 2

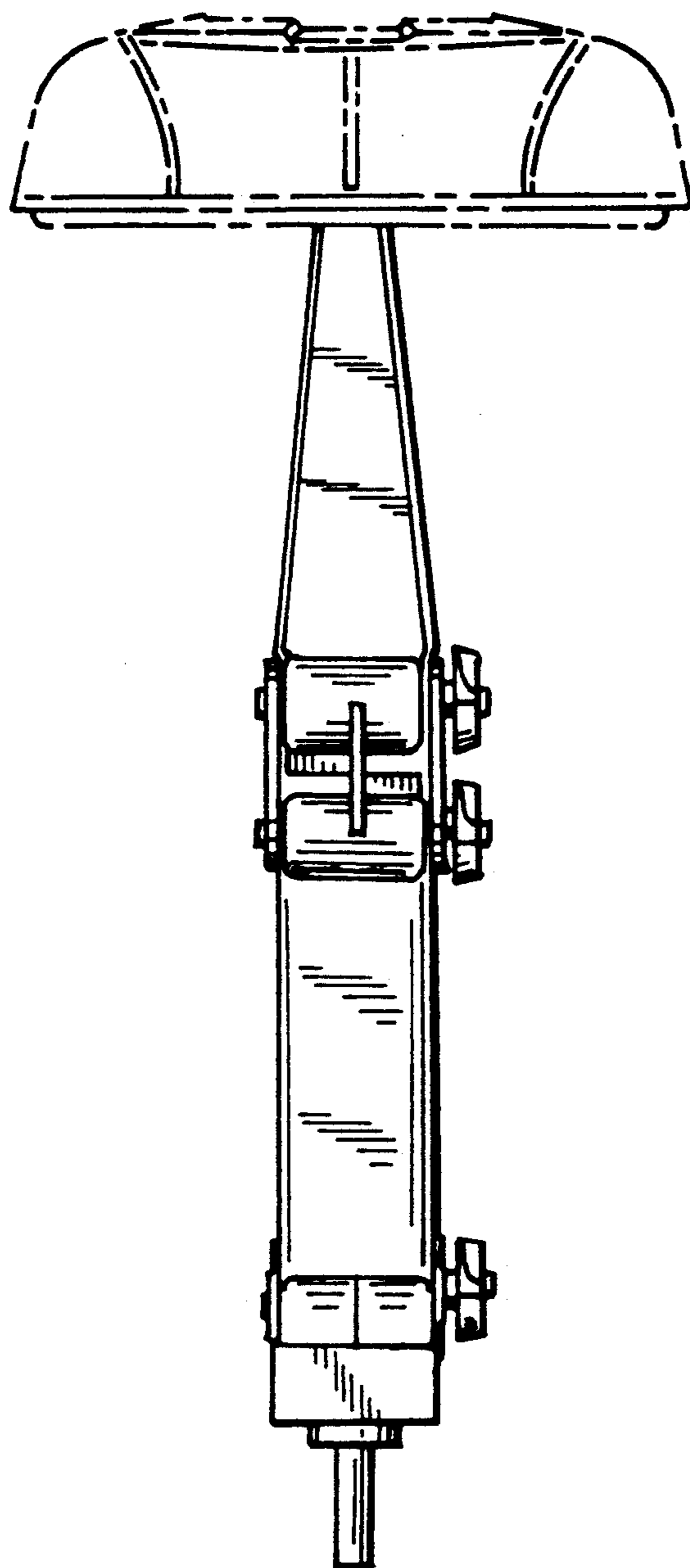


FIG. 3

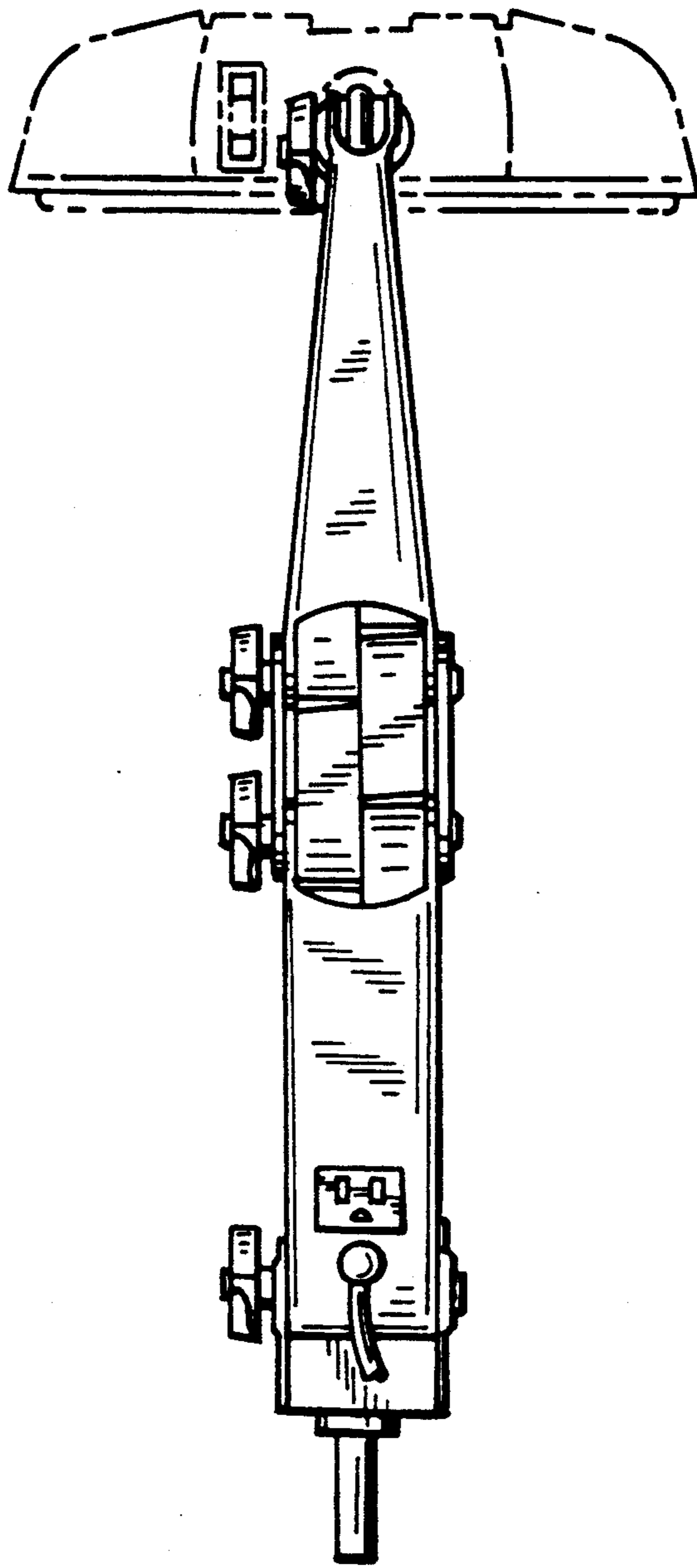


FIG. 4

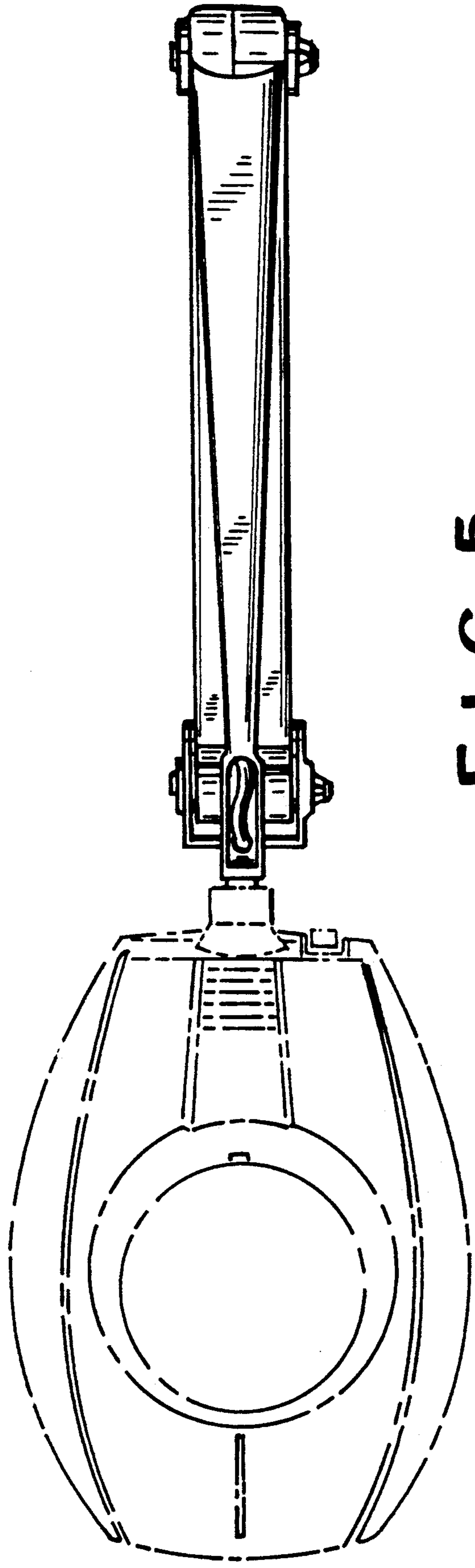


FIG. 5

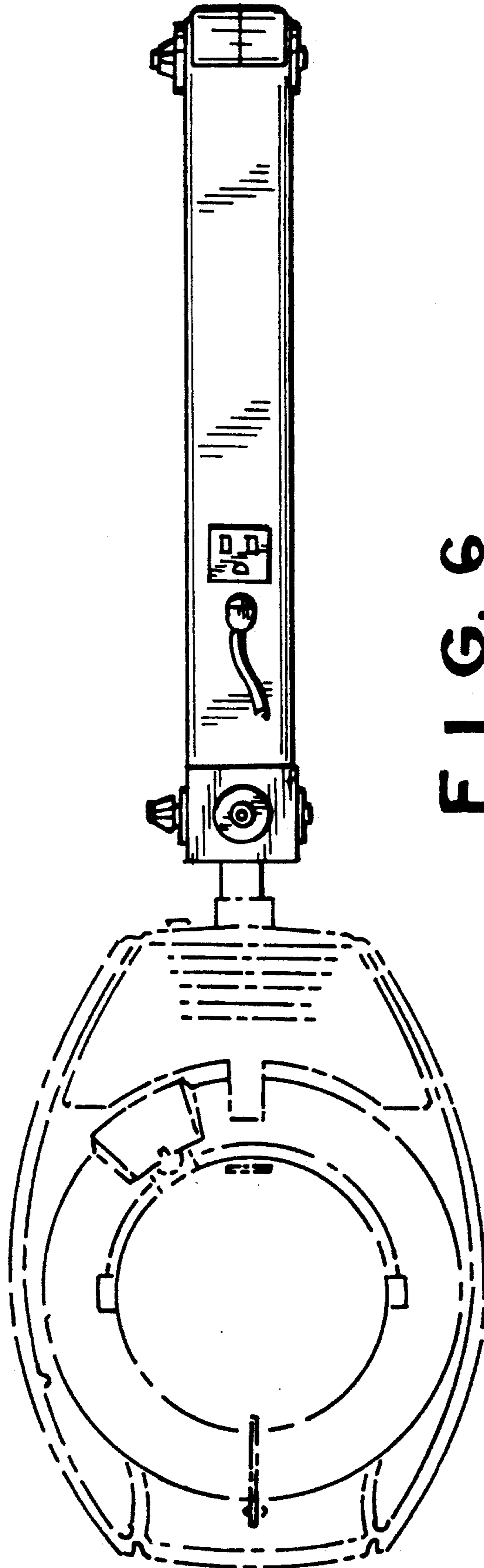


FIG. 6