



US00D331983S

# United States Patent [19]

Winn

[11] Patent Number: **Des. 331,983**

[45] Date of Patent: **\*\* Dec. 22, 1992**

[54] **ADJUSTABLE TABLE LAMP**

[75] Inventor: **Craig A. Winn, Carson, Calif.**

[73] Assignee: **Dynasty Classics Corporation, Carson, Calif.**

[\*\*] Term: **14 Years**

[21] Appl. No.: **632,505**

[22] Filed: **Dec. 24, 1990**

[52] U.S. Cl. .... **D26/63; D26/109**

[58] Field of Search ..... **D26/60-66, D26/93, 102, 106, 107, 109; 362/269, 277, 285, 413, 418, 419, 427, 401, 402**

[56] **References Cited**

**U.S. PATENT DOCUMENTS**

D. 81,517	7/1930	Andersen	.....	D26/63
D 316,610	4/1991	Winn	.....	D26/65
1,389,013	8/1921	Schwartz	.....	362/269

**FOREIGN PATENT DOCUMENTS**

102860	1/1924	Switzerland	.....	362/413
--------	--------	-------------	-------	---------

**OTHER PUBLICATIONS**

Home Lighting & Accessories, Sep. 9, 1989, p. 167, Gemma Studios, Desk Lamp.

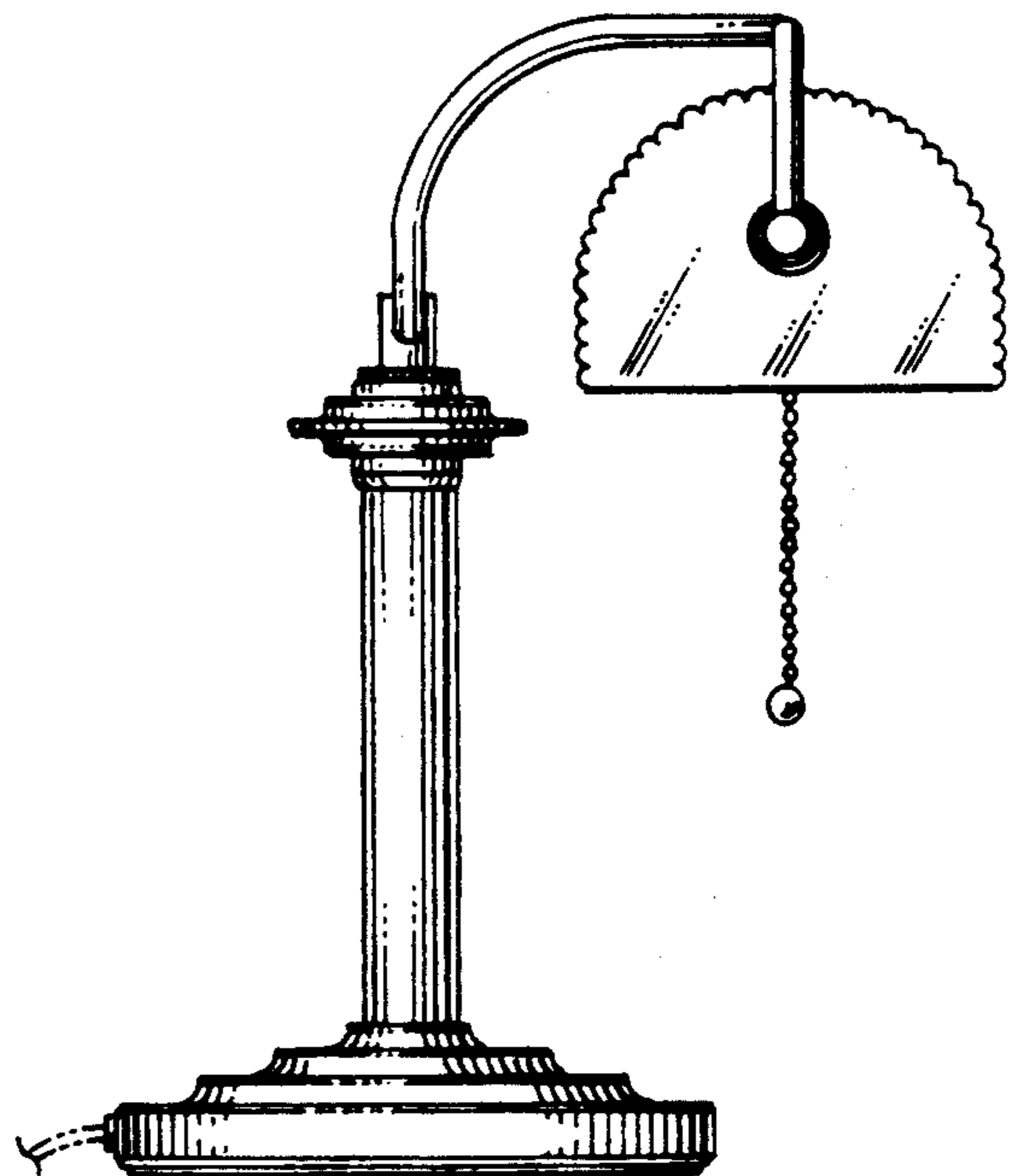
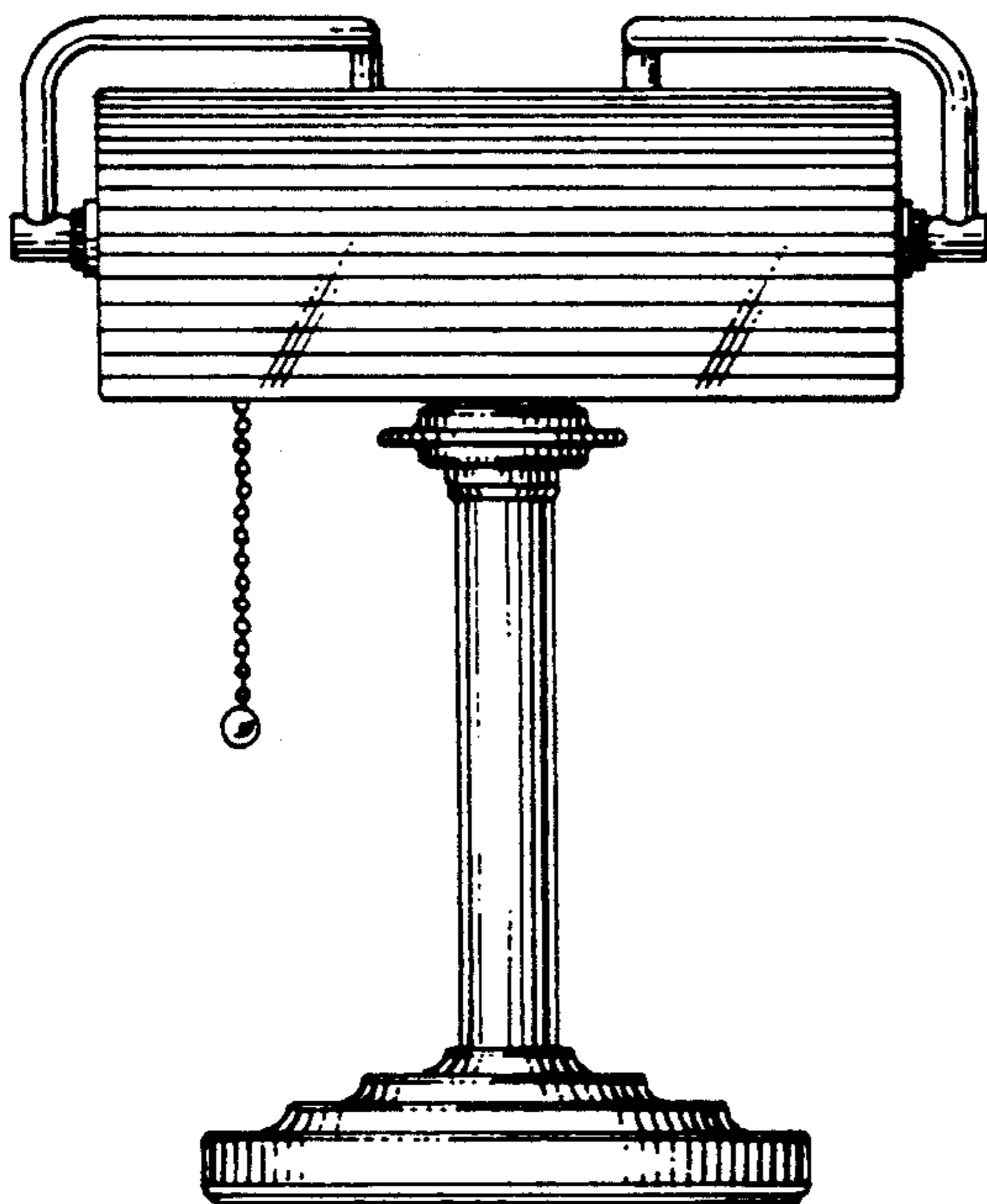
*Primary Examiner*—Susan J. Lucas  
*Attorney, Agent, or Firm*—Michael A. Painter

[57] **CLAIM**

The ornamental design for an adjustable table lamp, as shown and described.

**DESCRIPTION**

FIG. 1 is a front elevation view of an adjustable table lamp illustrating my new design; FIG. 2 is a right side elevation view thereof, the left side being identical in appearance; FIG. 3 is a top plan view thereof; FIG. 4 is a rear elevation view thereof; and, FIG. 5 is a bottom plan view thereof. The adjustable table lamp shade is shaded with oblique lines to indicate translucency. The electric cord and the light bulb are shown in broken lines for illustrative purposes only.



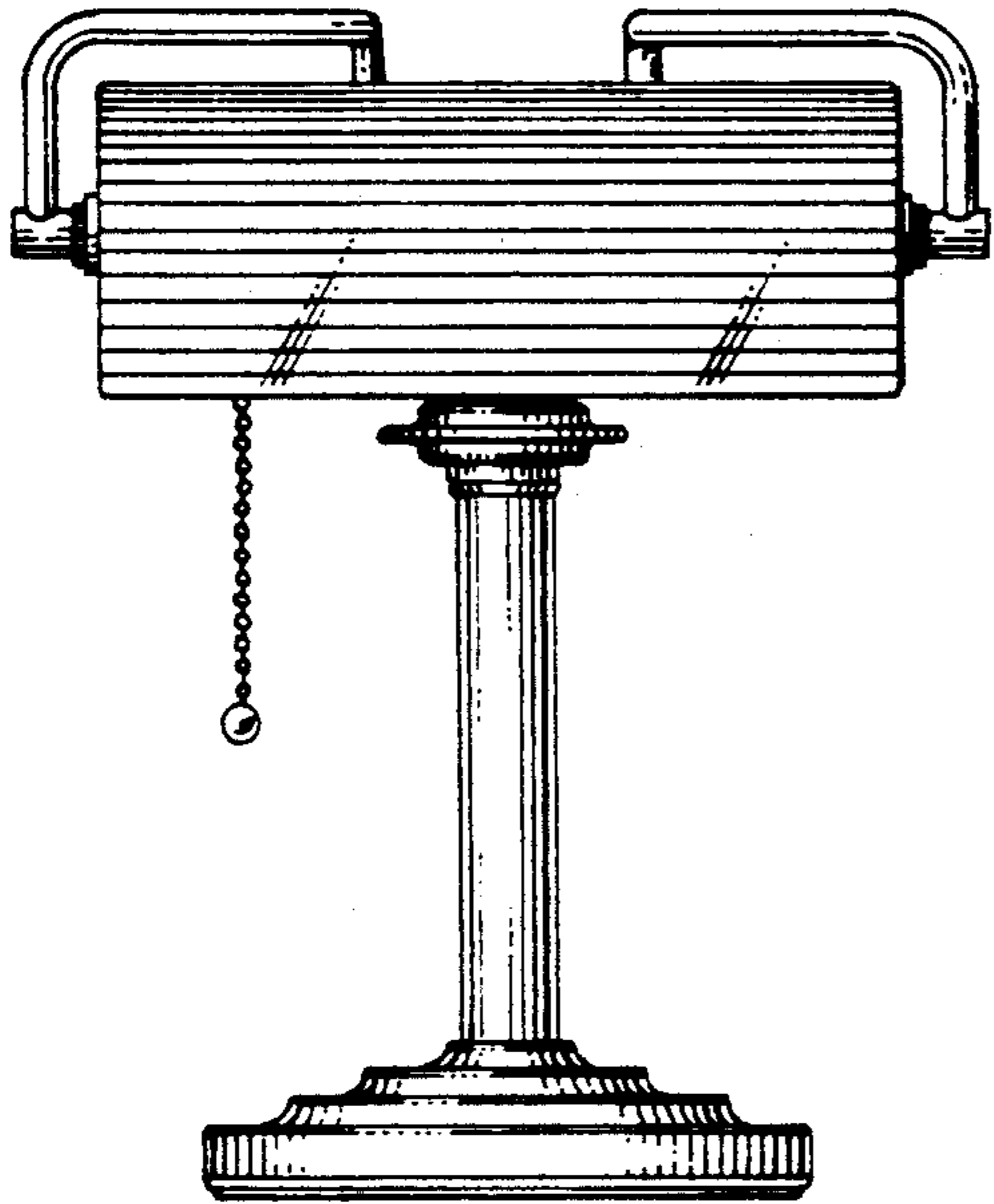


FIG. 1.

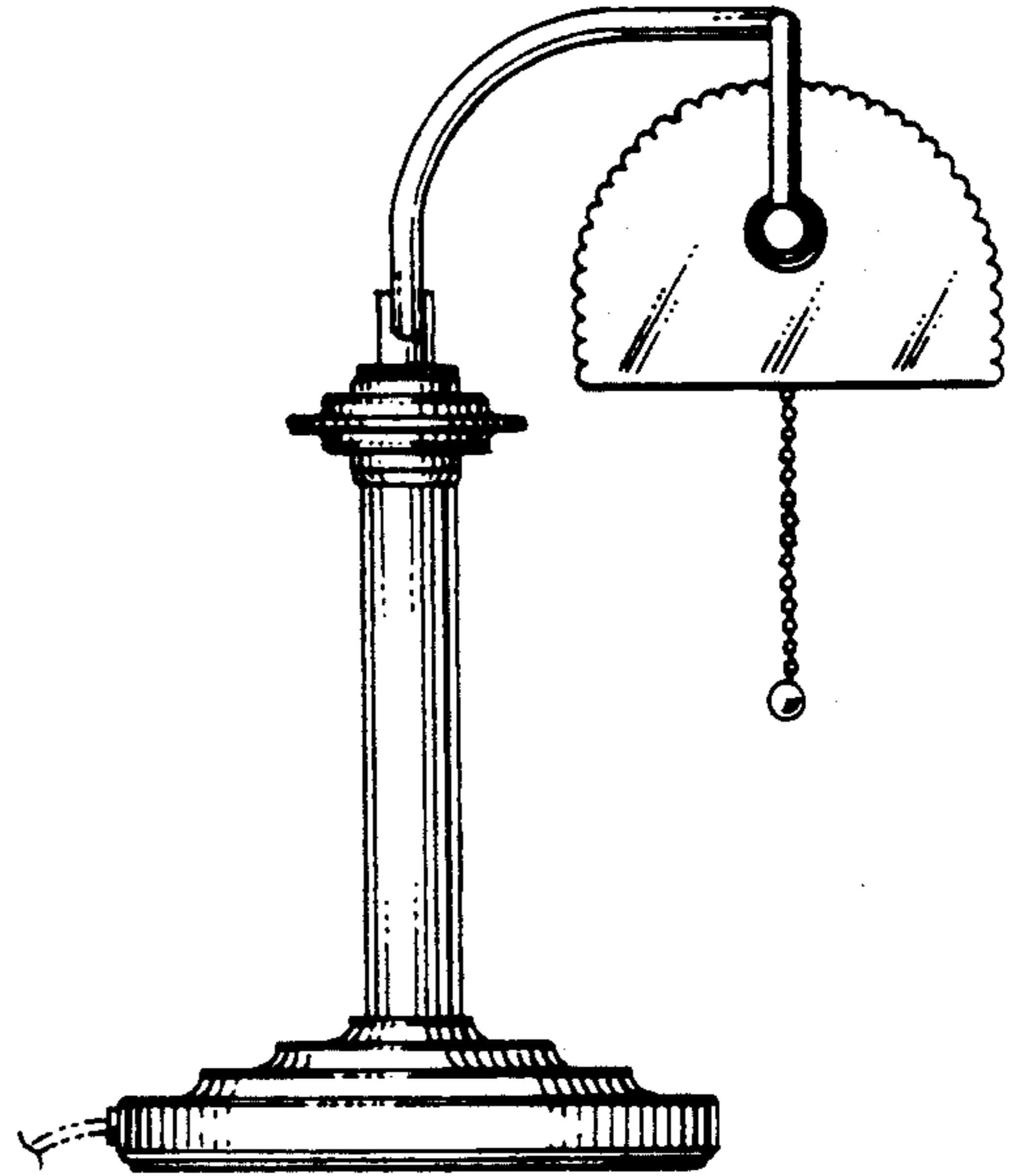


FIG. 2.

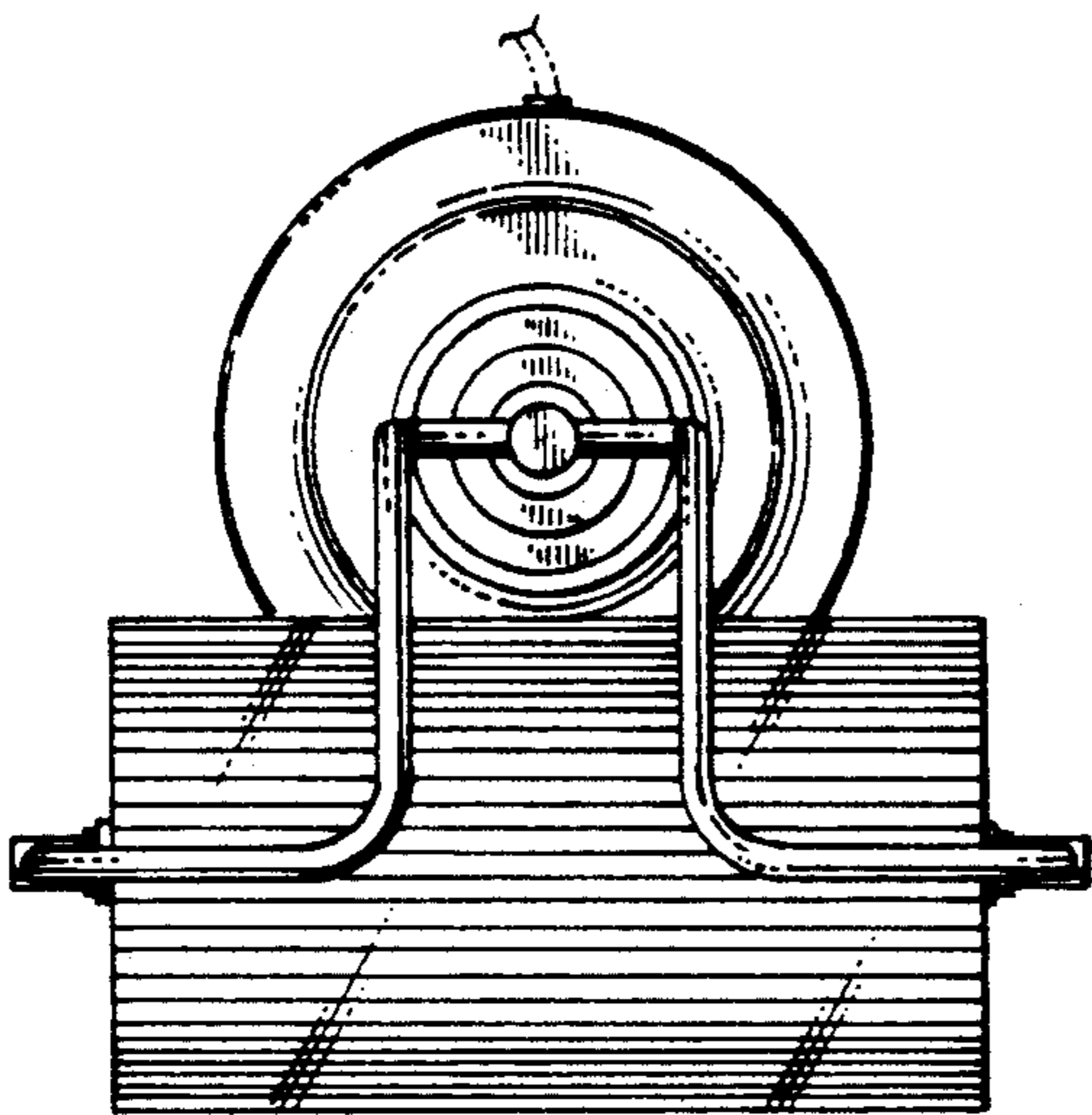


FIG. 3.

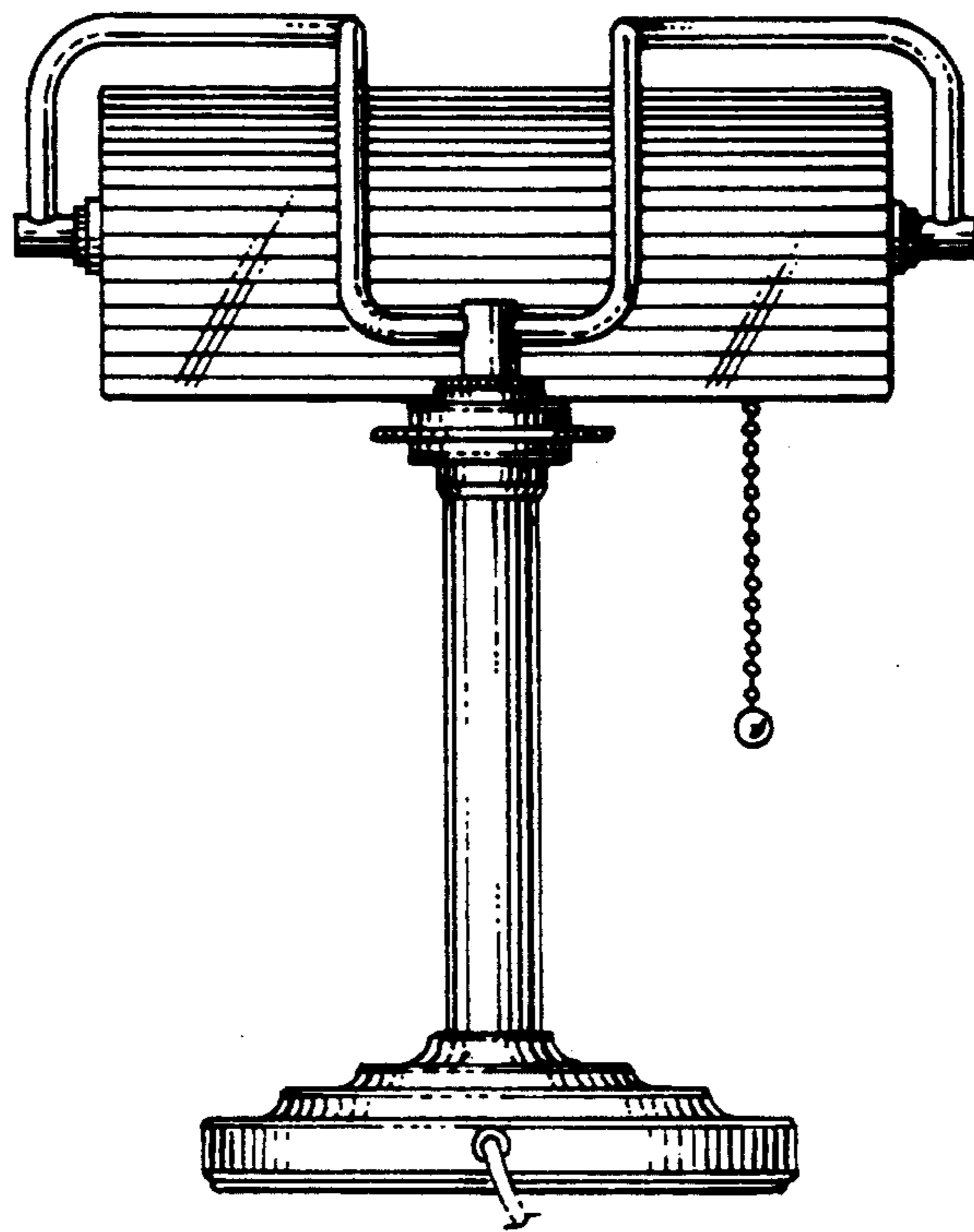


FIG. 4.

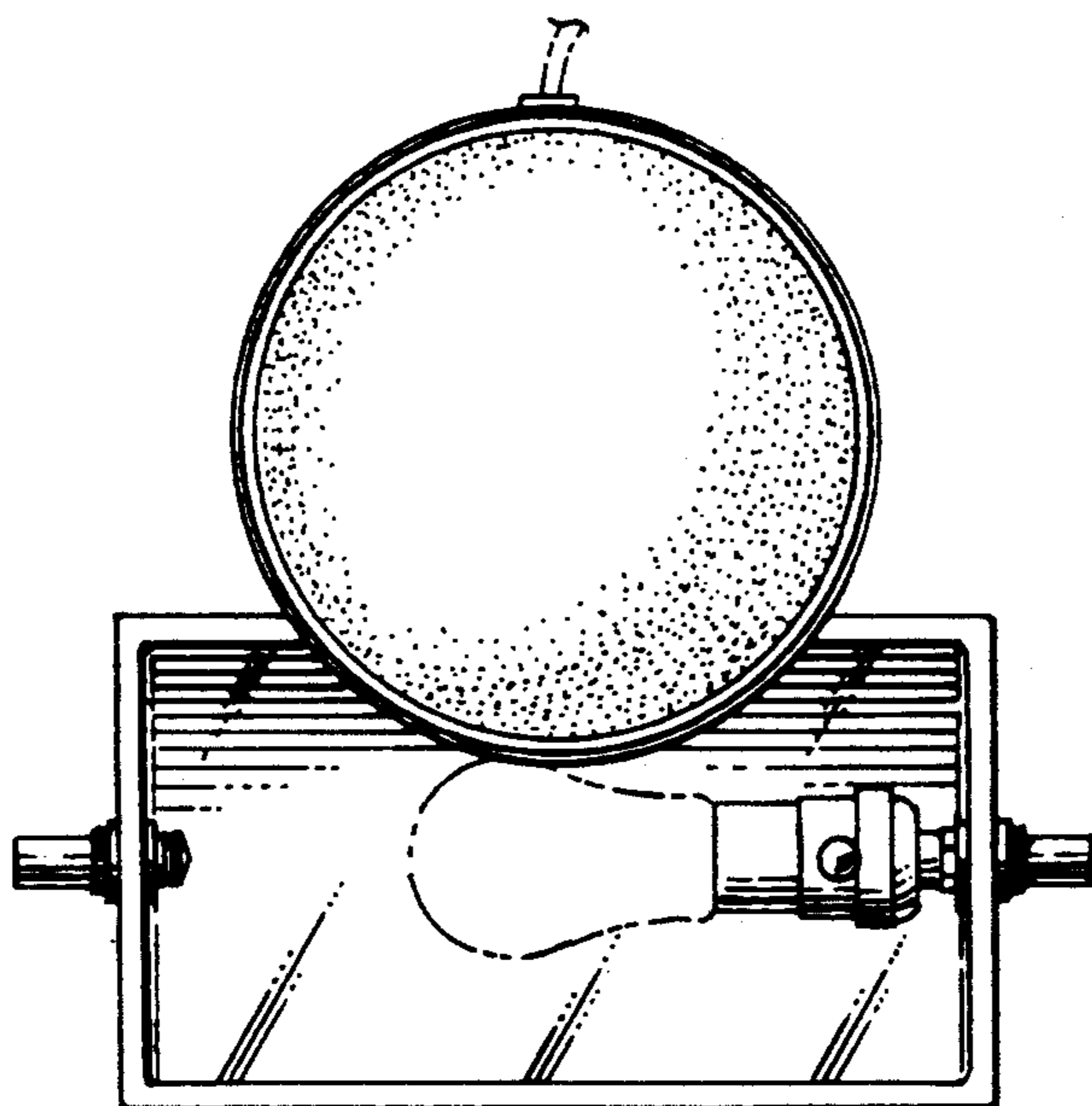


FIG. 5.