



US00D331981S

United States Patent [19]

Fischel et al.

[11] Patent Number: **Des. 331,981**

[45] Date of Patent: **** Dec. 22, 1992**

[54] MESSAGE DISPLAY SIGN FOR VEHICLES

3,800,430 4/1974 Samra .

[76] Inventors: **Roy Fischel; Dorothy Fischel**, both of
2231 N. Keeler, Chicago, Ill. 60639

FOREIGN PATENT DOCUMENTS

2577489 8/1986 United Kingdom 40/591

[**] Term: **14 Years**

Primary Examiner—Wallace R. Burke
Assistant Examiner—Marcus Jackson
Attorney, Agent, or Firm—Terry M. Gernstein

[21] Appl. No.: **624,256**

[22] Filed: **Dec. 7, 1990**

[52] U.S. Cl. **D26/31; D20/42**

[58] Field of Search D20/10, 39, 40, 41,
D20/42, 43; D10/109; 40/584, 591, 592, 593,
617, 618, 624; D26/31, 32, 33

[57] CLAIM

The ornamental design for a message display sign for vehicles, as shown and described.

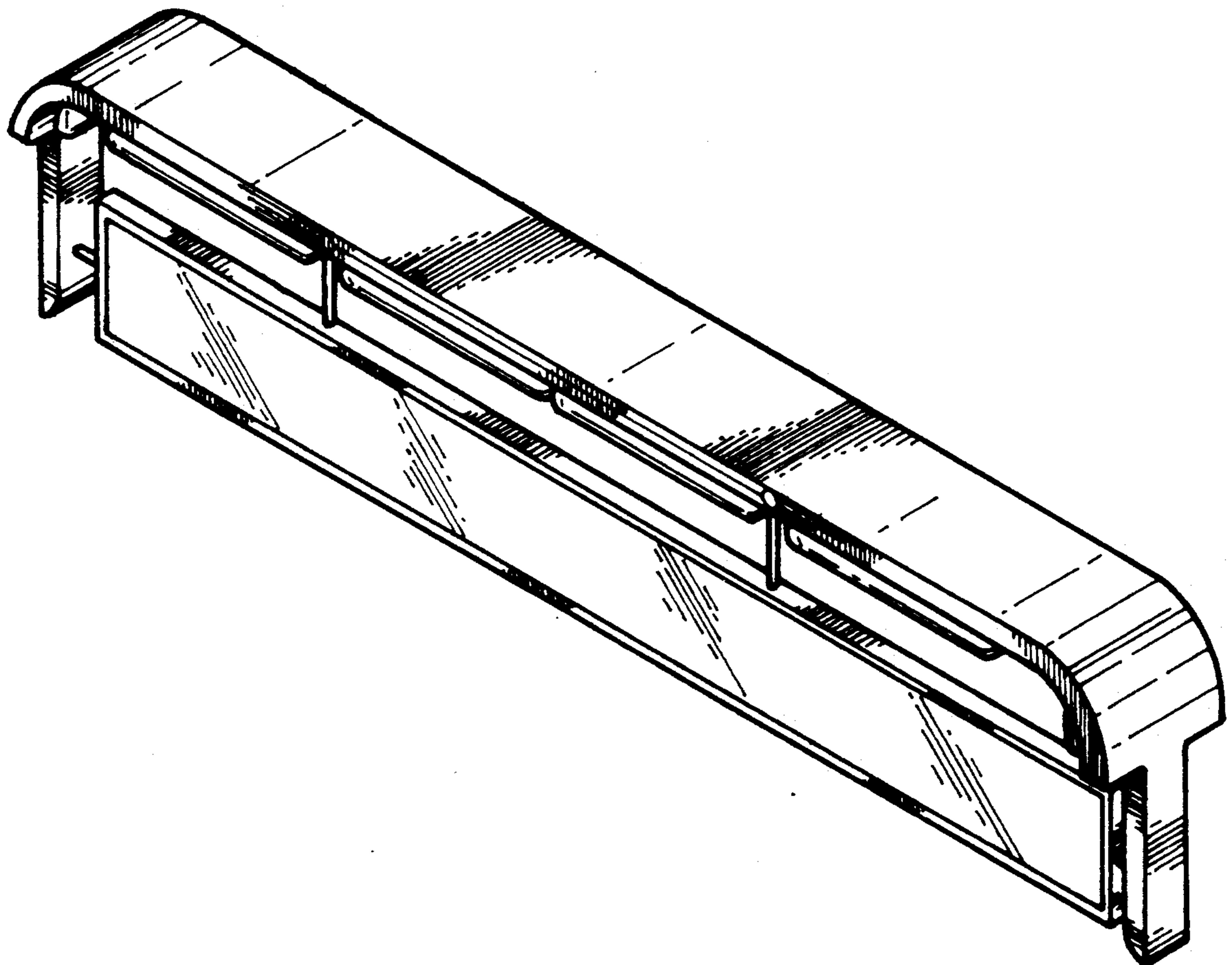
DESCRIPTION

FIG. 1 is a perspective view of a message display sign for vehicles showing our new design;
FIG. 2 is a front elevational view thereof, with the rear being a mirror image;
FIG. 3 is a side elevational view thereof, with the opposite side being a mirror image;
FIG. 4 is a top plan view thereof; and,
FIG. 5 is a bottom plan view thereof.

[56] References Cited

U.S. PATENT DOCUMENTS

D. 65,292	7/1924	Meyer	D26/31
D. 84,225	5/1931	Blesso	D10/109
1,129,740	2/1915	Bordon	D26/30
3,111,782	11/1963	Quigley	D20/42
3,299,553	1/1967	Newman	



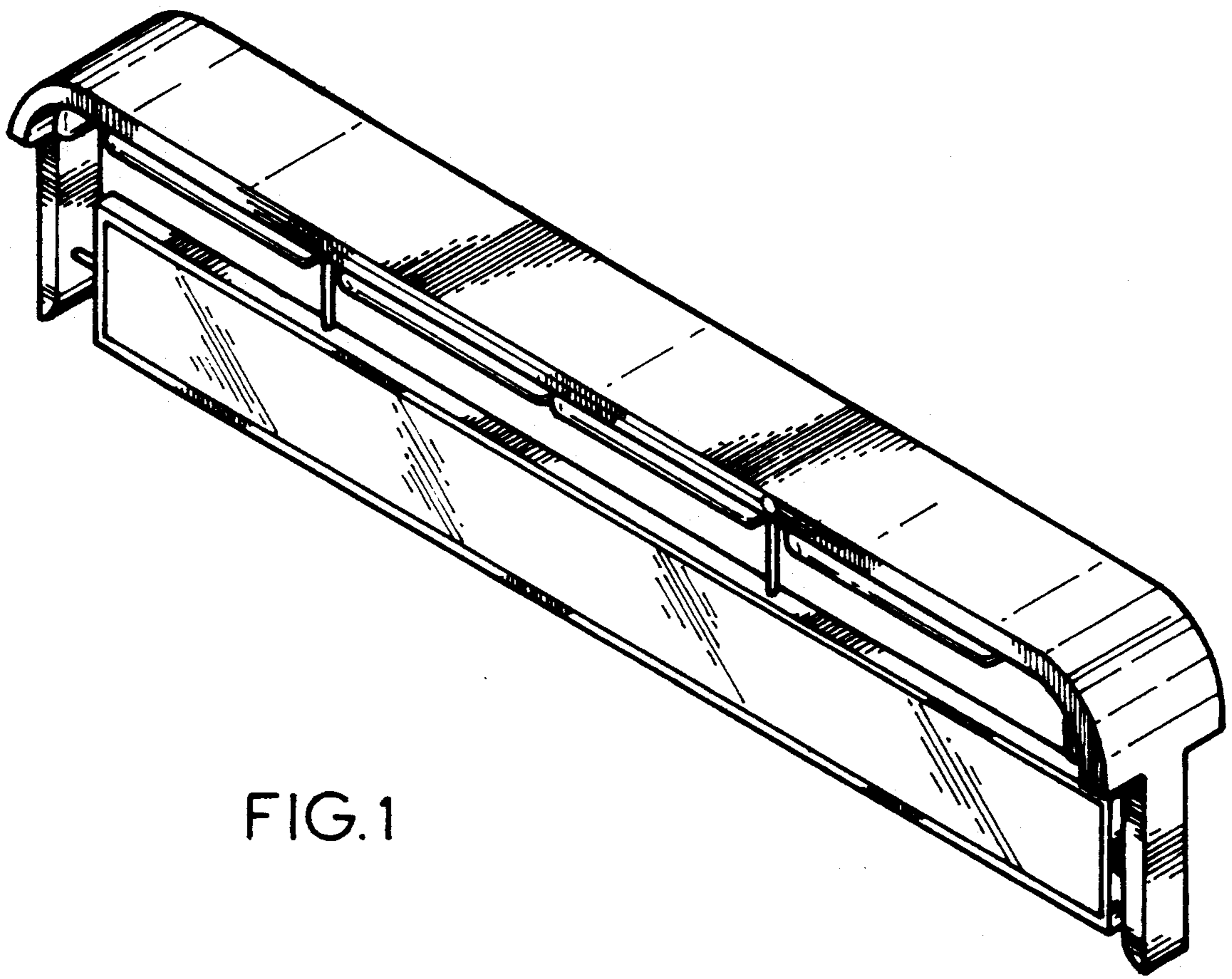


FIG. 1

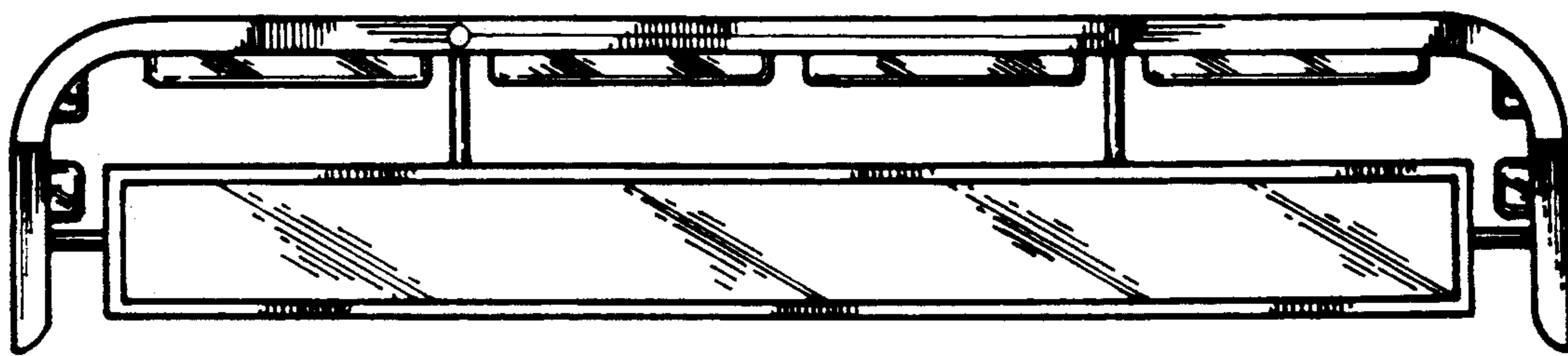


FIG. 2

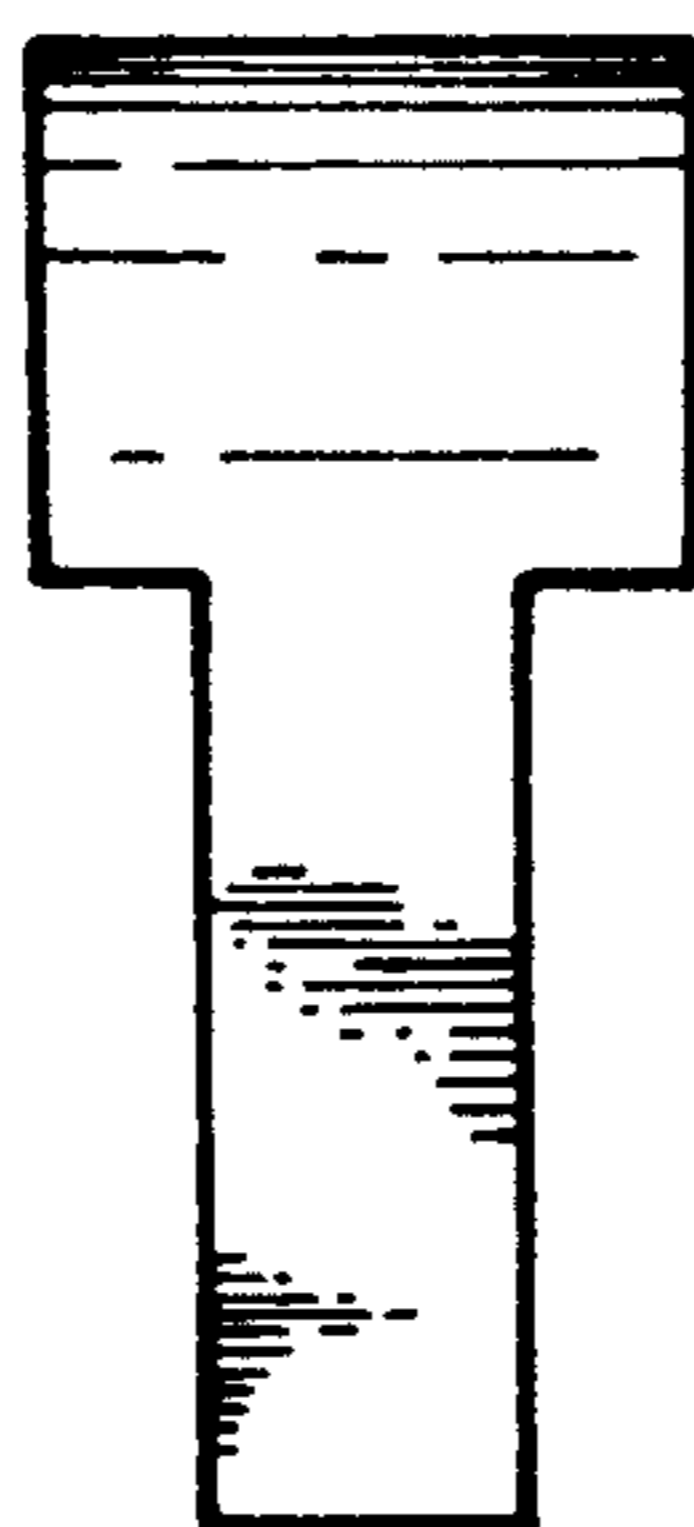


FIG. 3



FIG 4

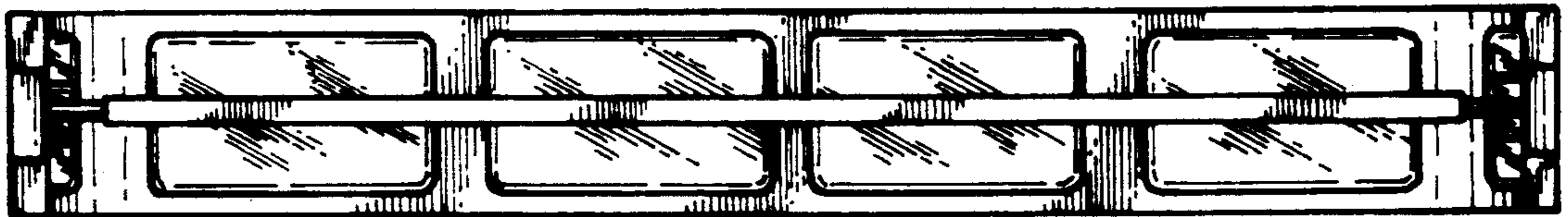


FIG 5