



US00D331979S

United States Patent [19]

[11] Patent Number: Des. 331,979

Liu

[45] Date of Patent: ** Dec. 22, 1992

[54] READING LIGHT FOR VEHICLE

FOREIGN PATENT DOCUMENTS

[76] Inventor: Hui Long Liu, No. 5, Lane 330, Da-Chiao 1st Street, Yung-Kang Shiang, Tainan Shien, Taiwan

1451580 10/1976 United Kingdom 362/74

Primary Examiner—Susan J. Lucas
Attorney, Agent, or Firm—Bacon & Thomas

[**] Term: 14 Years

[57] CLAIM

The ornamental design for a reading light for vehicle, as shown and described.

[21] Appl. No.: 579,496

DESCRIPTION

[22] Filed: Sep. 7, 1990

[52] U.S. Cl. D26/29; D26/74

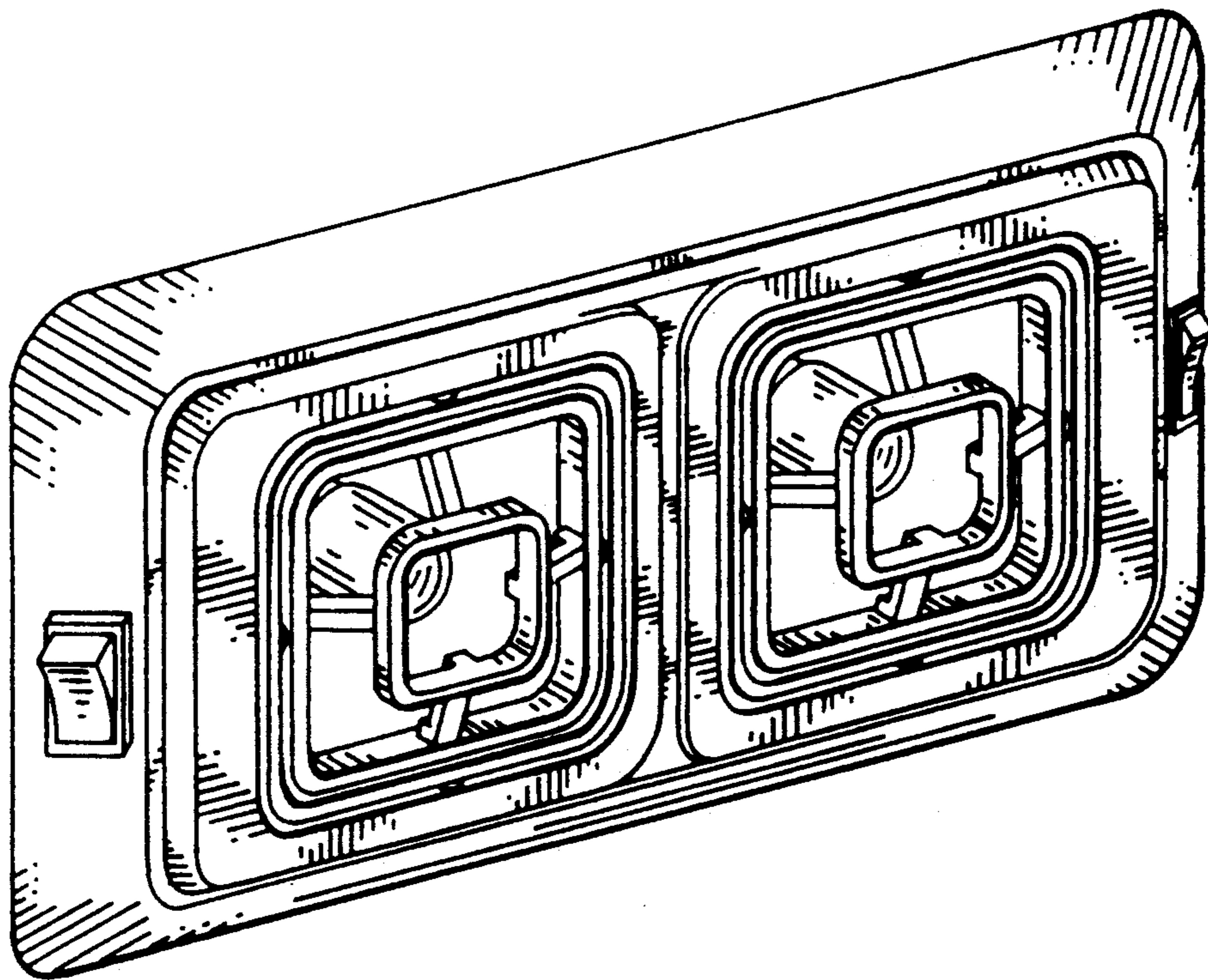
[58] Field of Search D26/72, 80-92,
D26/61; 362/364, 147, 404-408, 432, 74, 238

FIG. 1 is a top, front, and left side perspective view of a reading light for vehicle showing my new design;
FIG. 2 is a front elevational view thereof on an enlarged scale;
FIG. 3 is a rear elevational view thereof on an enlarged scale;
FIG. 4 is a left side elevational view thereof on an enlarged scale;
FIG. 5 is a right side elevational view thereof on an enlarged scale;
FIG. 6 is a top plan view thereof on an enlarged scale; and,
FIG. 7 is a bottom plan view thereof on an enlarged scale.

[56] References Cited

U.S. PATENT DOCUMENTS

D. 166,411	4/1952	Rahn	D26/80
D. 299,549	1/1989	Macaluso	D26/29
2,678,381	5/1954	Schwartz	362/384 X
4,760,500	7/1988	Peng	362/74
4,764,851	8/1988	Hartmann	362/74



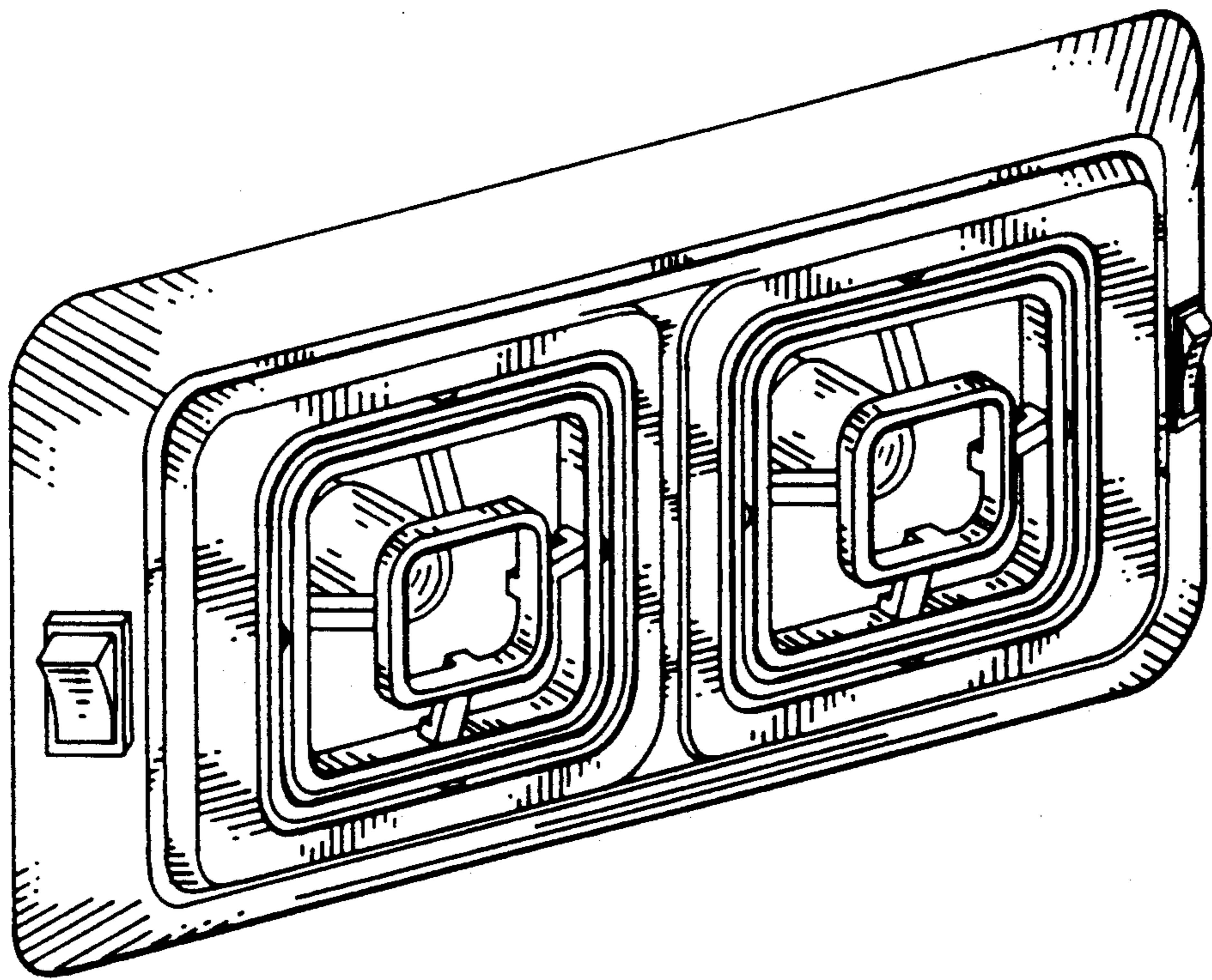


FIG. 1

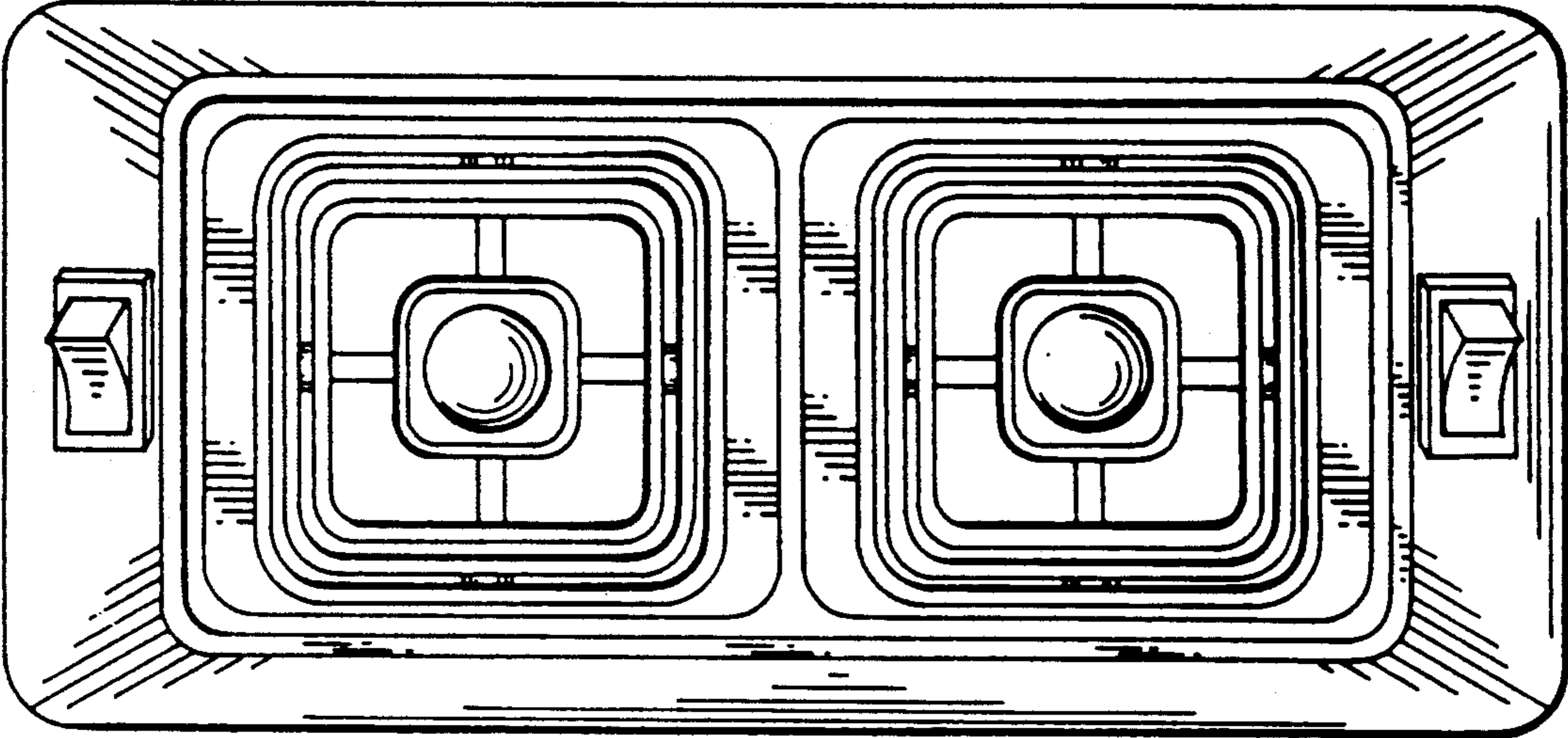


FIG. 2

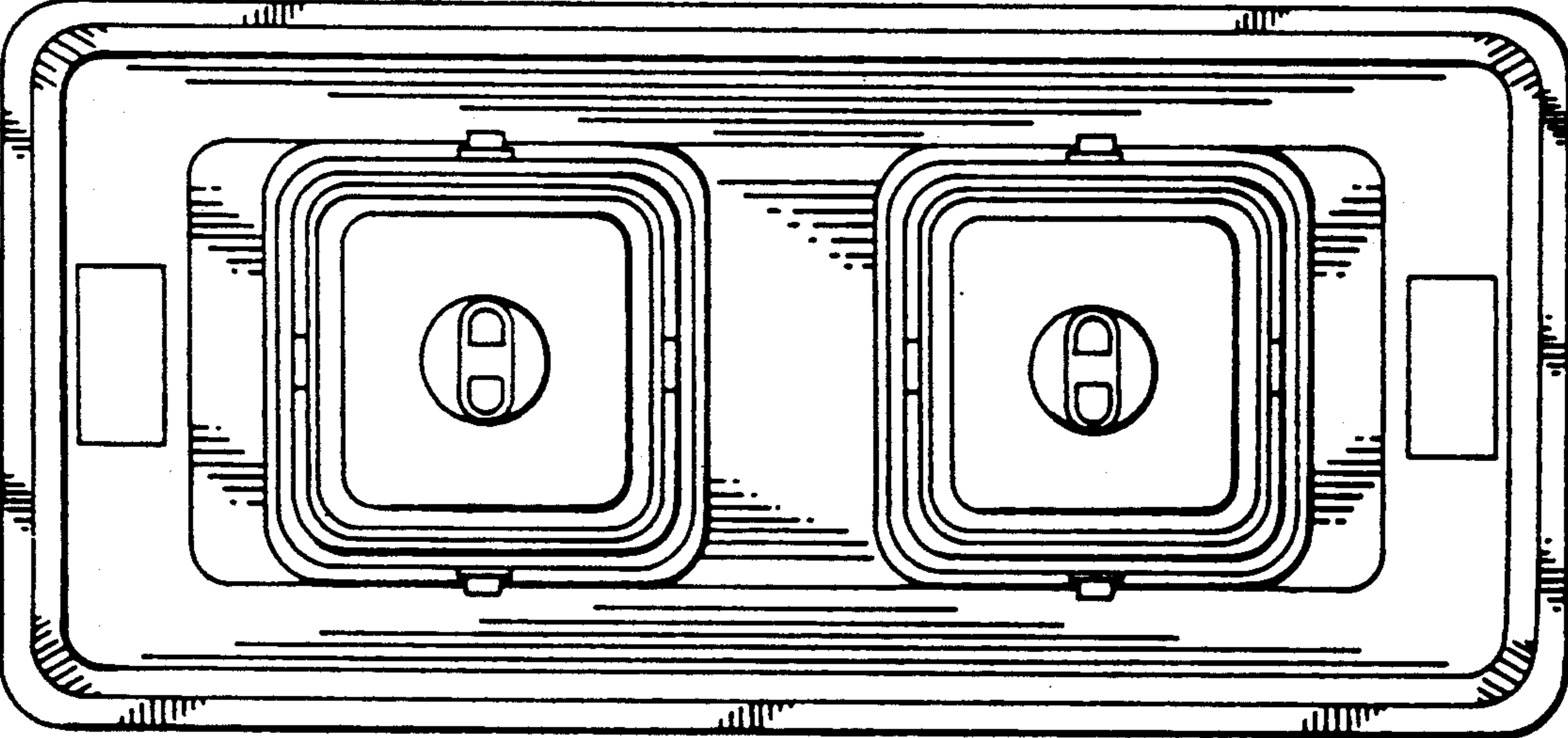


FIG. 3

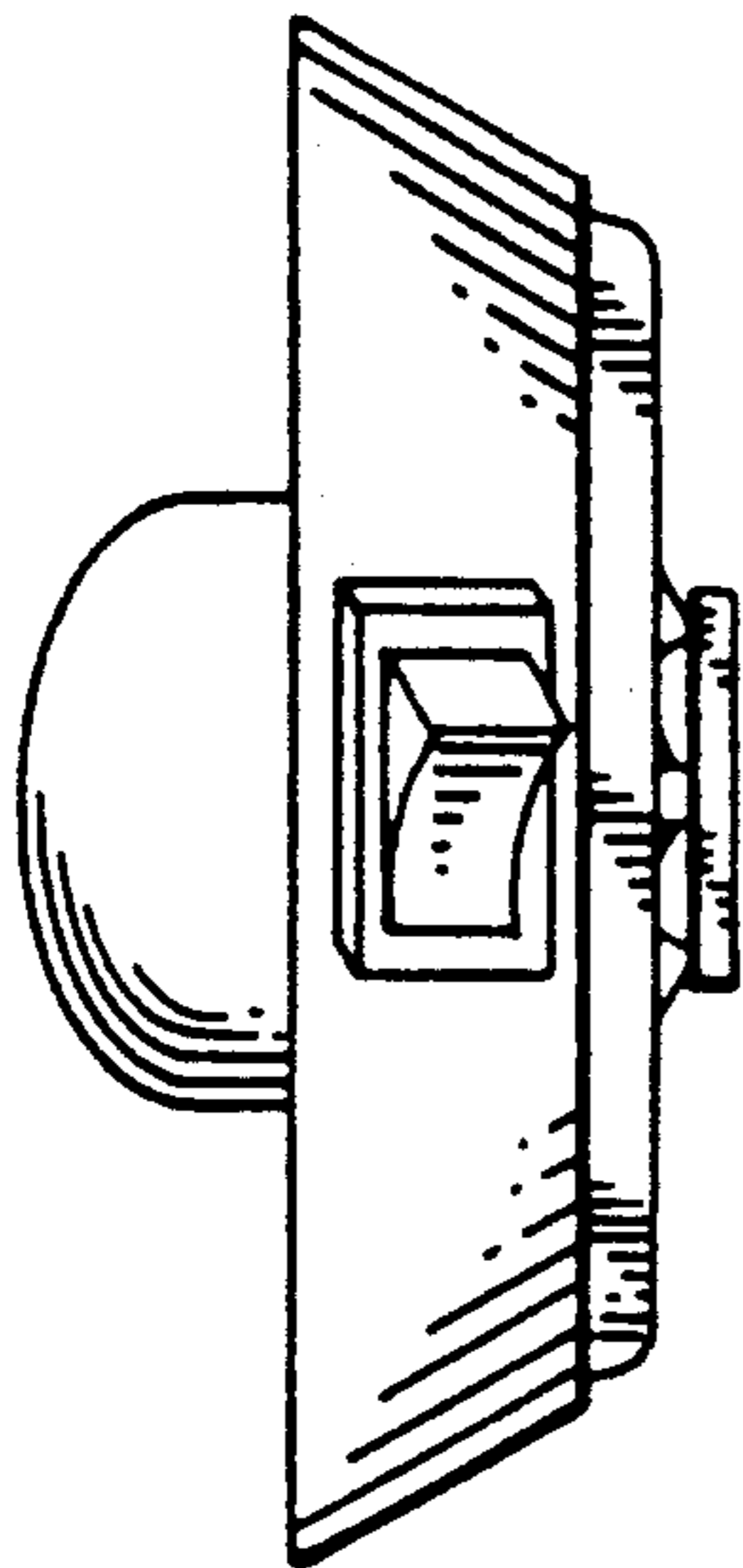


FIG. 4

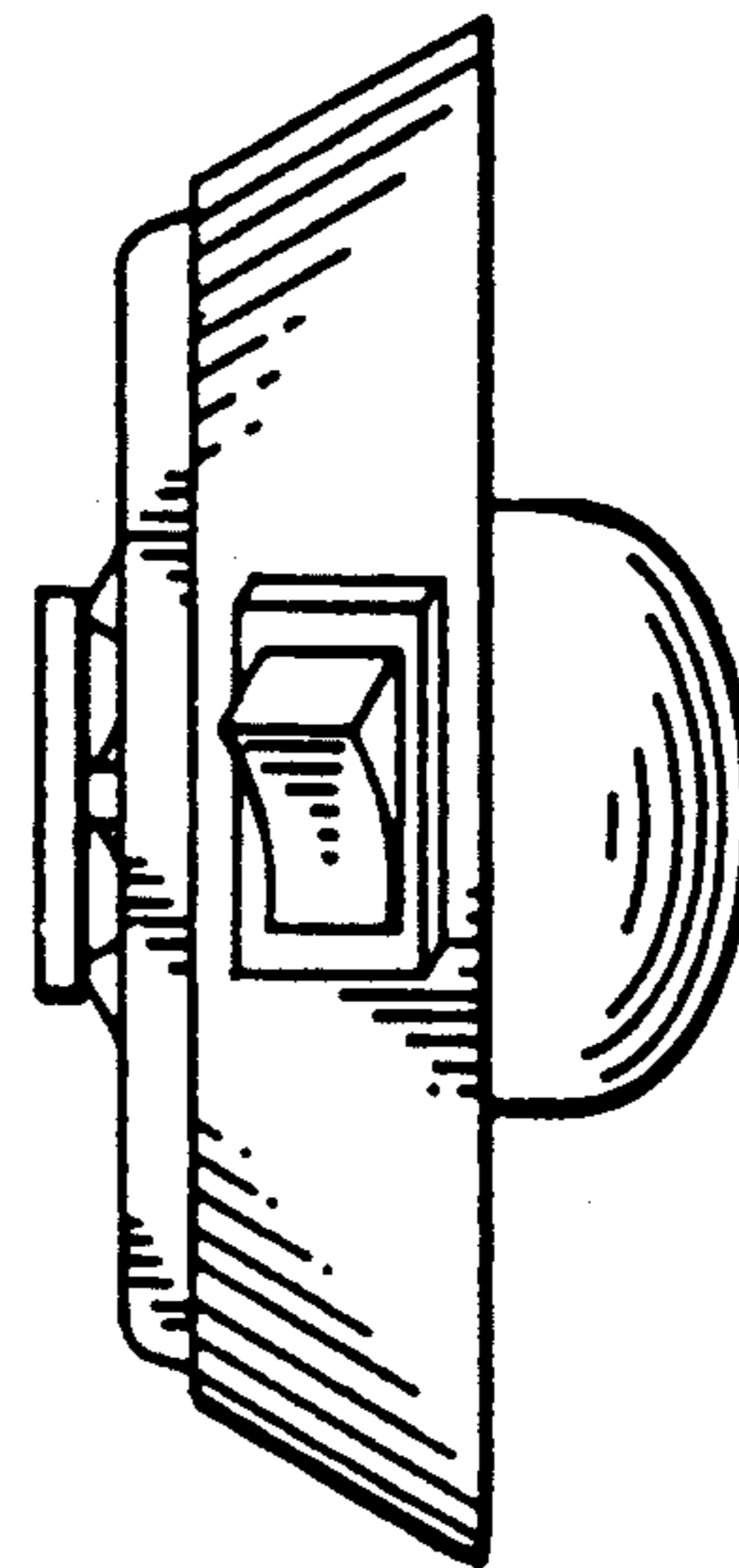


FIG. 5

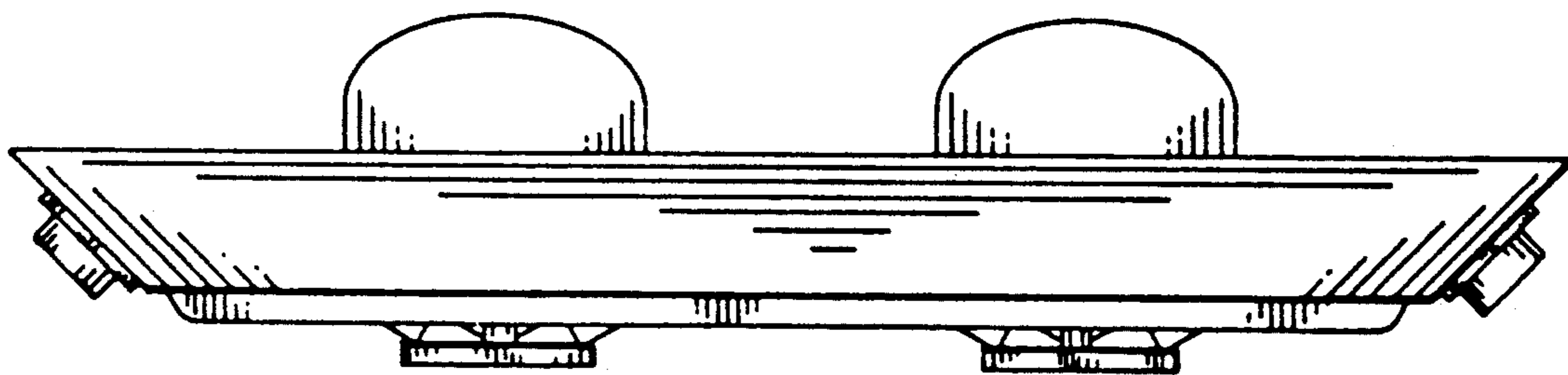


FIG. 6

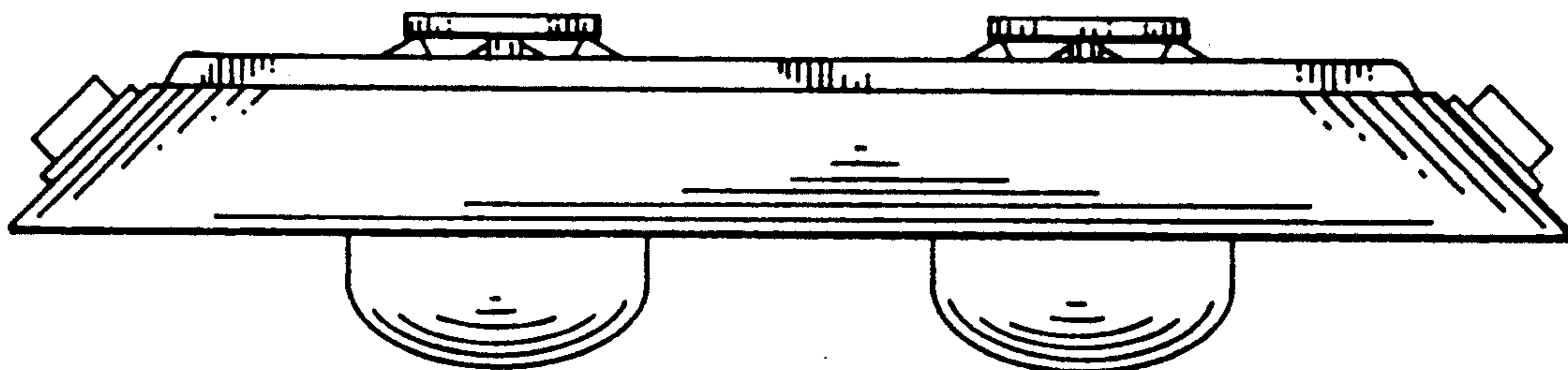


FIG. 7