



US00D331975S

United States Patent [19]

[11] Patent Number: **Des. 331,975**

Pospisil

[45] Date of Patent: **** Dec. 22, 1992**

[54] ORTHODONTIC BRACKET

[75] Inventor: **Jirina V. Pospisil**, Monrovia, Calif.

[73] Assignee: **Minnesota Mining and Manufacturing Company**, St. Paul, Minn.

[**] Term: **14 Years**

[21] Appl. No.: **608,651**

[22] Filed: **Nov. 2, 1990**

[52] U.S. Cl. **D24/180**

[58] Field of Search **D24/176, 180; 433/2, 433/8-18**

[56] References Cited

U.S. PATENT DOCUMENTS

D. 304,077	10/1989	Pospisil	D24/180
4,193,195	3/1980	Merkel et al.	433/13
4,498,867	2/1985	Kesling	433/16
4,545,760	10/1985	Forster	433/18
4,661,059	4/1987	Kanno	433/9
4,819,316	4/1989	Rossini et al.	433/8 X
4,820,151	4/1989	Pospisil	433/17
4,838,786	6/1989	Reher et al.	433/9
4,927,360	5/1990	Pospisil	433/8

OTHER PUBLICATIONS

Pp. 3-7, Unitek/3M catalog, 1990.

Drawings marked "A" and "B" of commercially available products.

Ortho Organizers, Inc. advertisement "Journal of Clinical Orthodontics", Sep. 1989.

Primary Examiner—Susan J. Lucas

Assistant Examiner—M. H. Tung

Attorney, Agent, or Firm—Gary L. Griswold; Walter N. Kirn; James D. Christoff

[57] CLAIM

The ornamental design for an orthodontic bracket, as shown and described.

DESCRIPTION

FIG. 1 is a top, front and left side perspective view of an orthodontic bracket showing my new design;
 FIG. 2 is a rear elevational view thereof;
 FIG. 3 is a top plan view thereof;
 FIG. 4 is a left side elevational view thereof, the right side being a mirror image;
 FIG. 5 is a front elevational view thereof; and,
 FIG. 6 is a bottom plan view thereof.

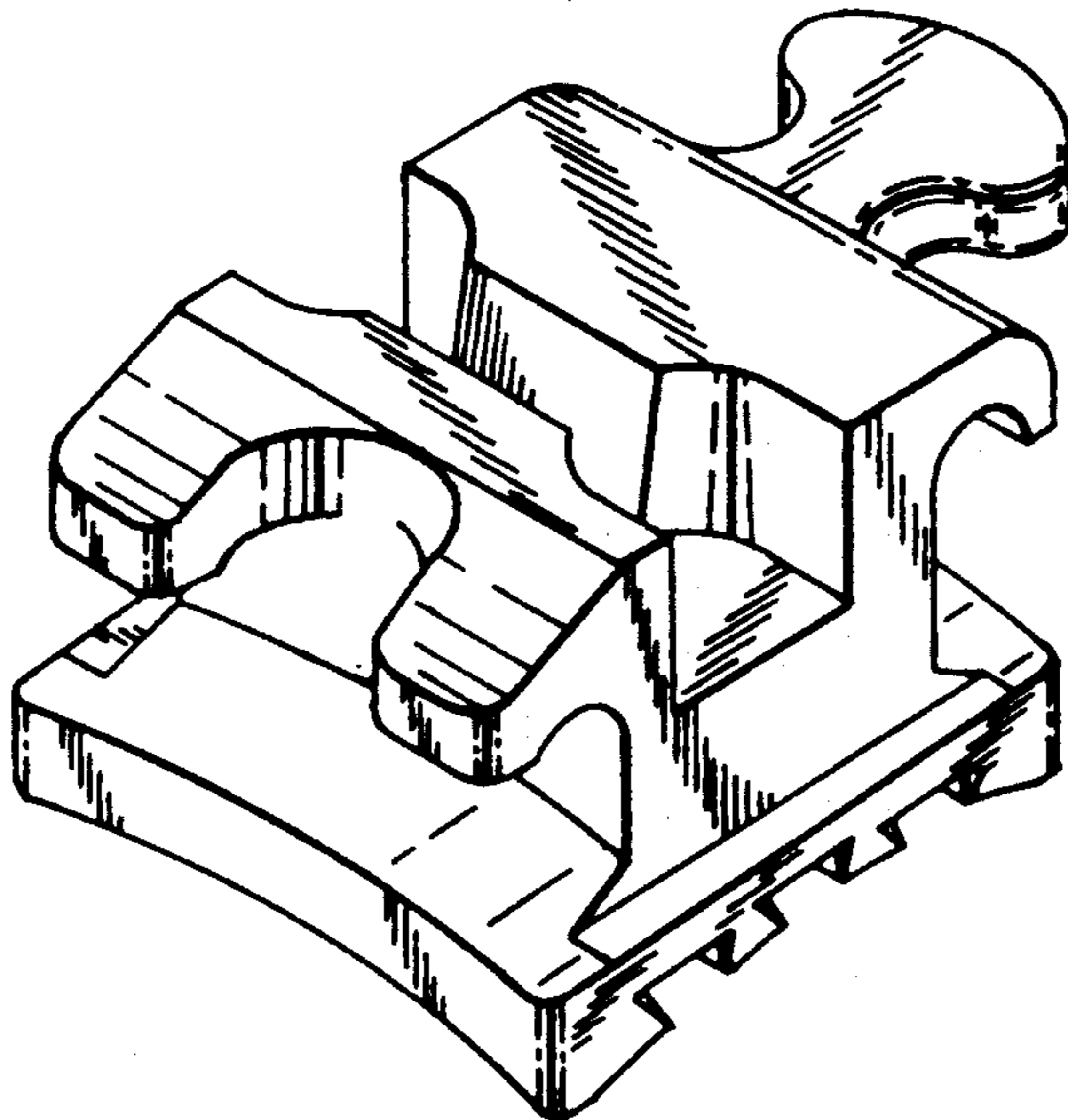


FIG. 1

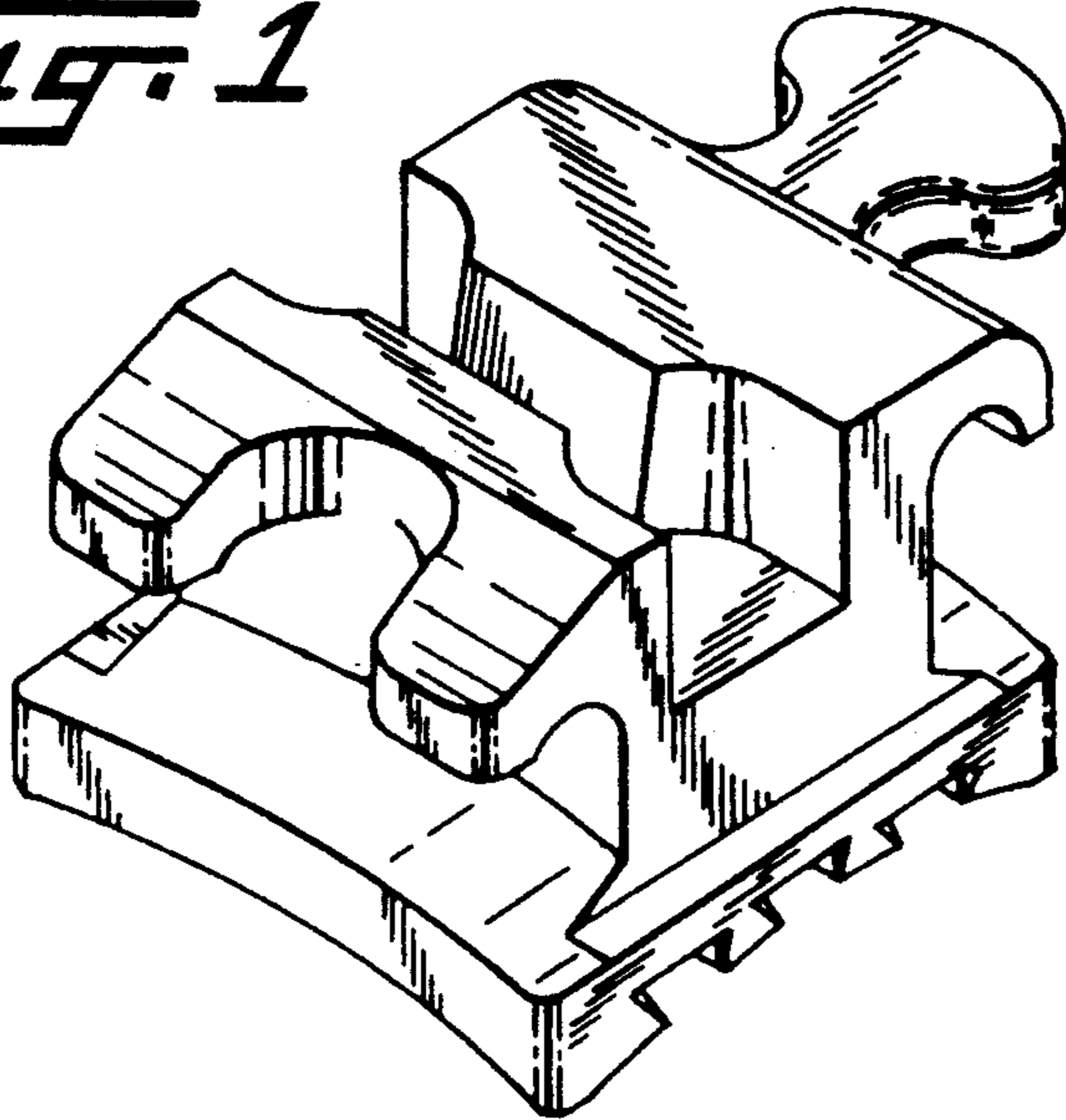


FIG. 2

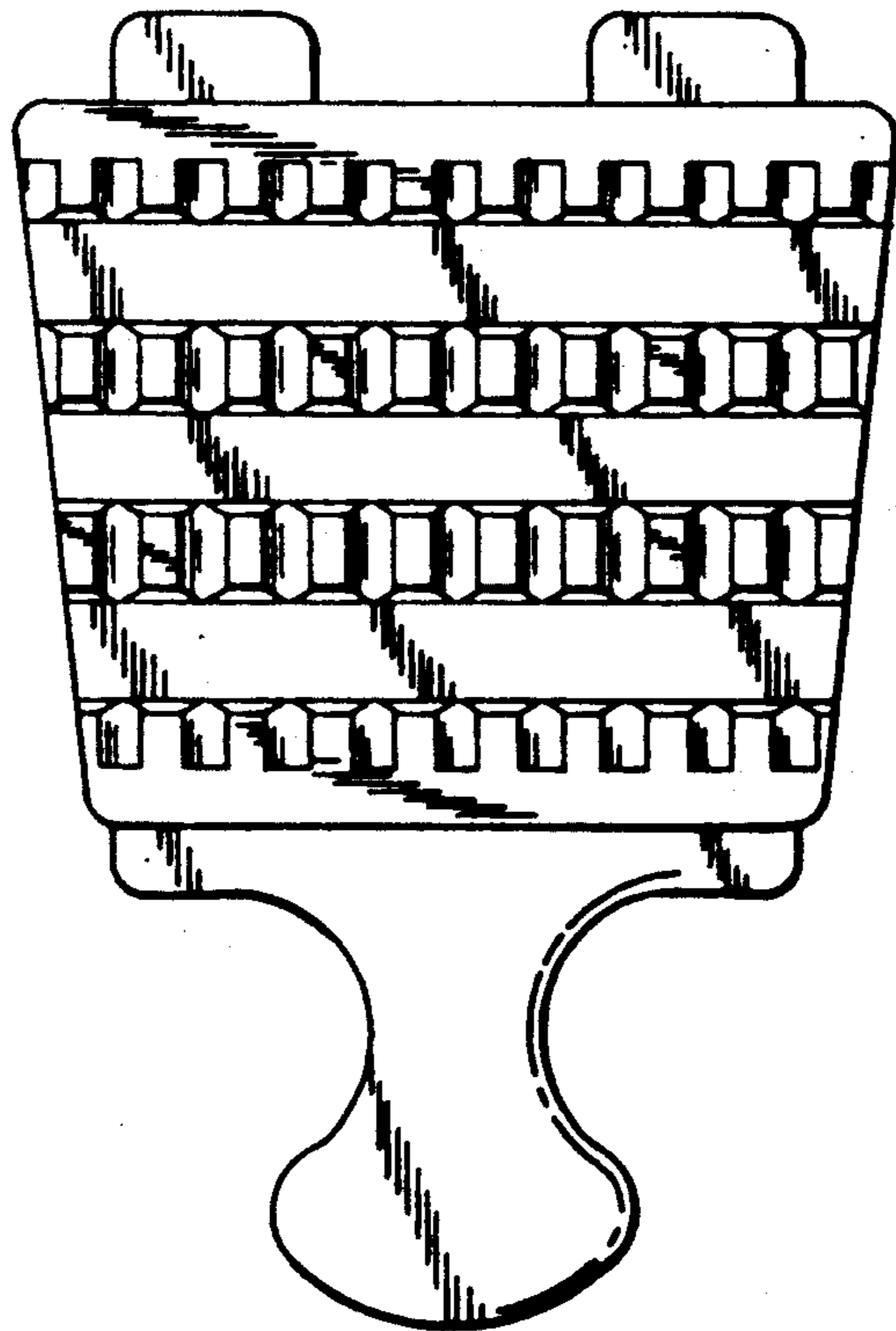


FIG. 3

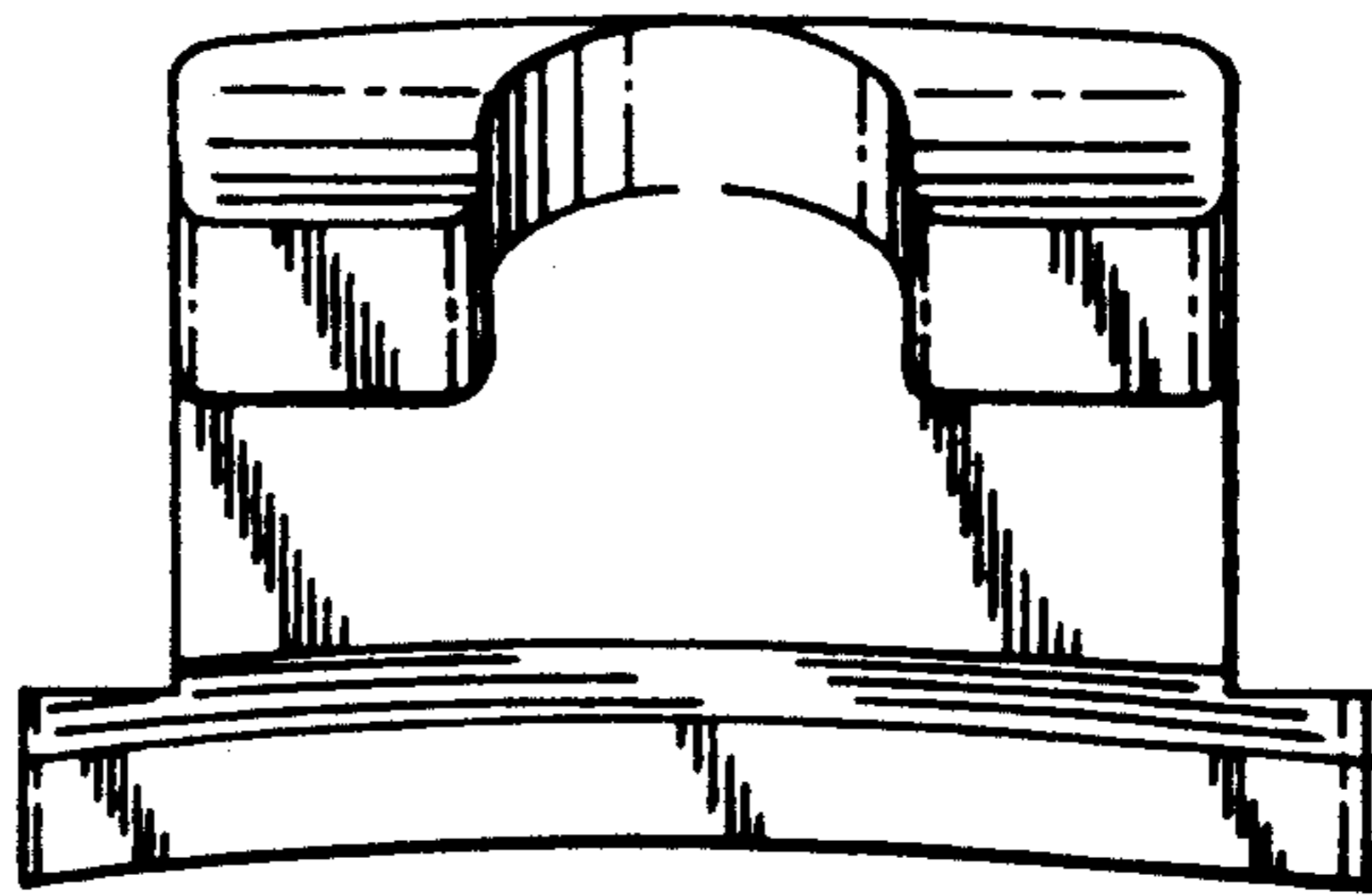


FIG. 4

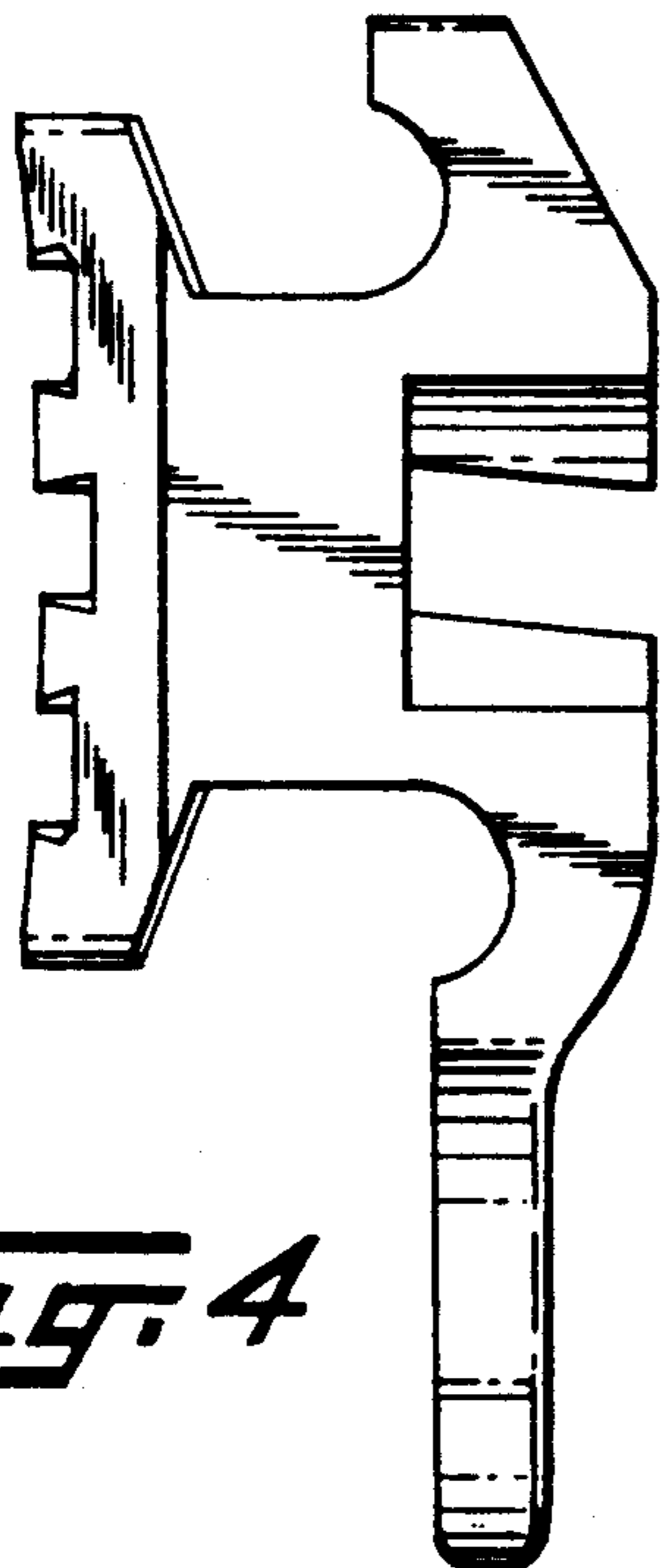


FIG. 5

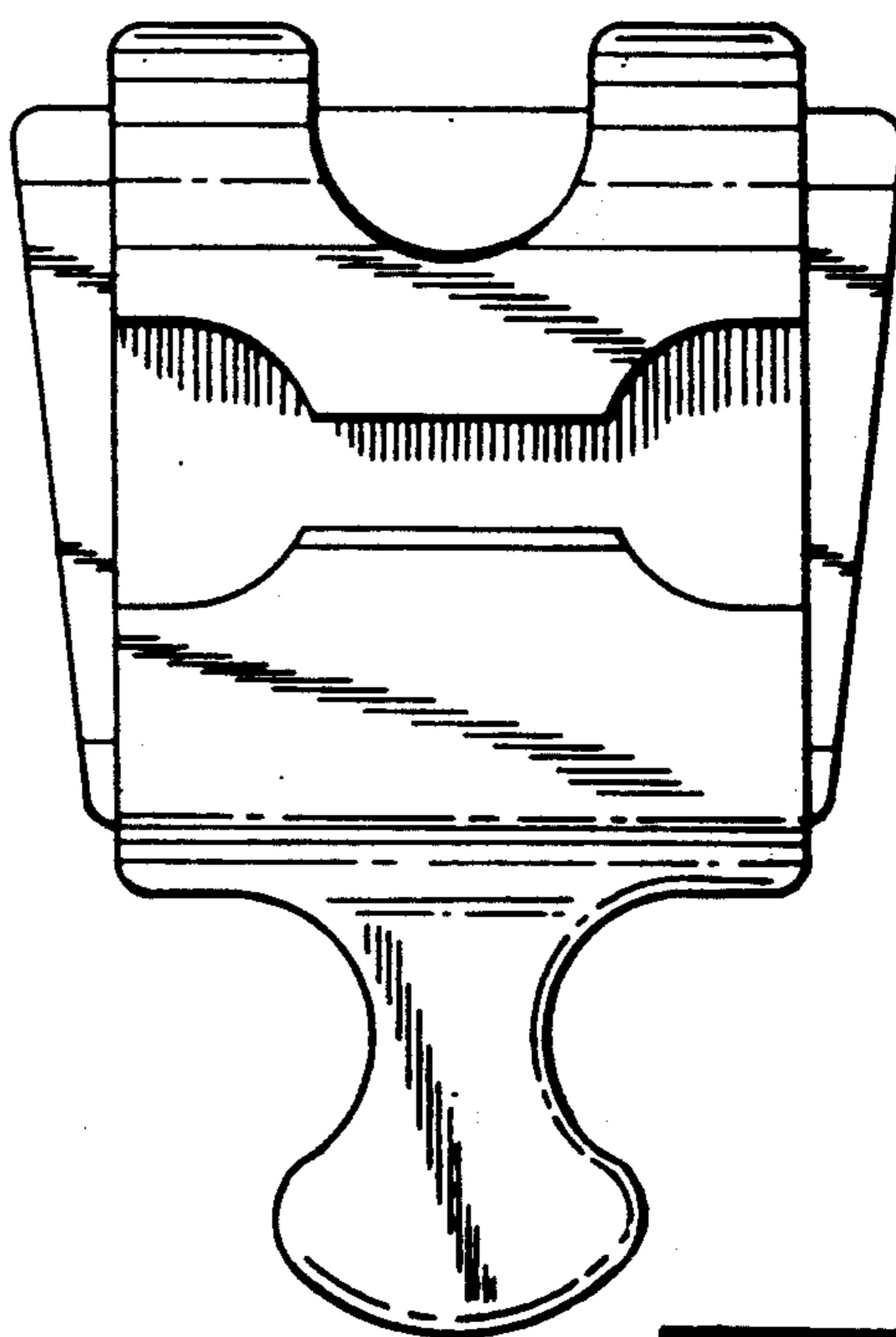


FIG. 6

