



US00D331971S

United States Patent [19]

[11] Patent Number: **Des. 331,971**

Main

[45] Date of Patent: **** Dec. 22, 1992**

[54] **ANVIL FOR INTRALUMINAL ANASTOMOTIC SURGICAL STAPLER**

Primary Examiner—Louis S. Zarfes
Attorney, Agent, or Firm—Paul A. Coletti

[75] Inventor: **Lauren O. Main**, Loveland, Ohio

[57] **CLAIM**

[73] Assignee: **Ethicon, Inc.**, Somerville, N.J.

The ornamental design for an anvil for intraluminal anastomotic surgical stapler, as shown and described.

[**] Term: **14 Years**

[21] Appl. No.: **583,781**

DESCRIPTION

[22] Filed: **Sep. 14, 1990**

[52] U.S. Cl. **D24/145**

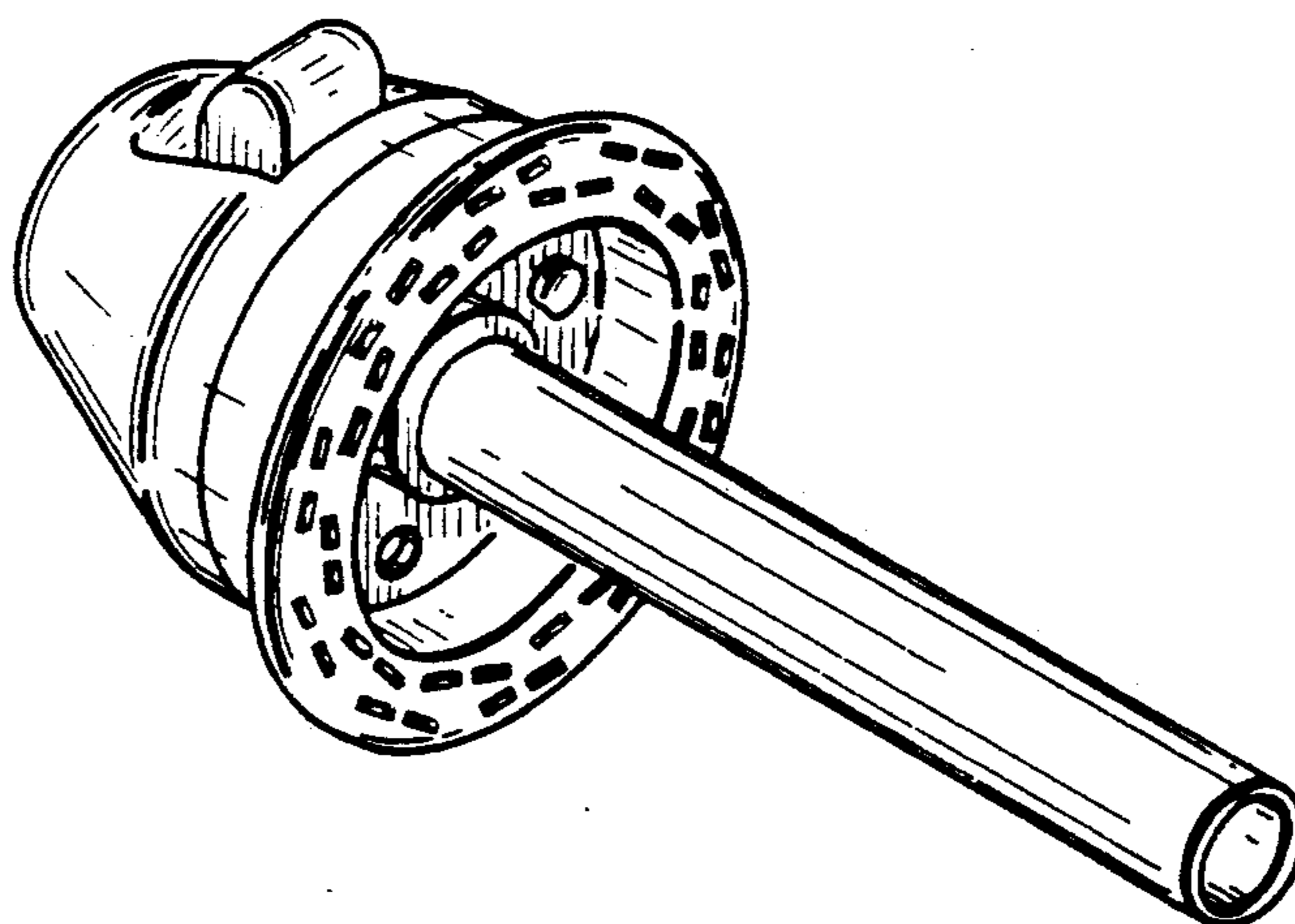
[58] Field of Search **D24/144-146, D24/133; 606/139, 144; 227/179, 180, 901**

FIG. 1 is a perspective view of anvil for intraluminal surgical stapler showing my new design;
FIG. 2 is a top plan view thereof;
FIG. 3 is a front elevational view thereof, of which the rear elevational view is identical;
FIG. 4 is a bottom plan view thereof;
FIG. 5 is a right side elevational view thereof;
FIG. 6 is a left side elevational view thereof; and,
FIG. 7 is a perspective view in a position of use.
The broken line showing of a surgical stapling instrument in FIG. 7 is for illustrative purposes only and forms no part of the claimed design.

[56] References Cited

U.S. PATENT DOCUMENTS

D. 304,234	10/1989	Green et al.	D24/145
D. 320,080	9/1991	Lipatov et al.	D24/145
4,319,576	3/1982	Rothfuss	227/179
4,576,167	3/1986	Noiles	227/179



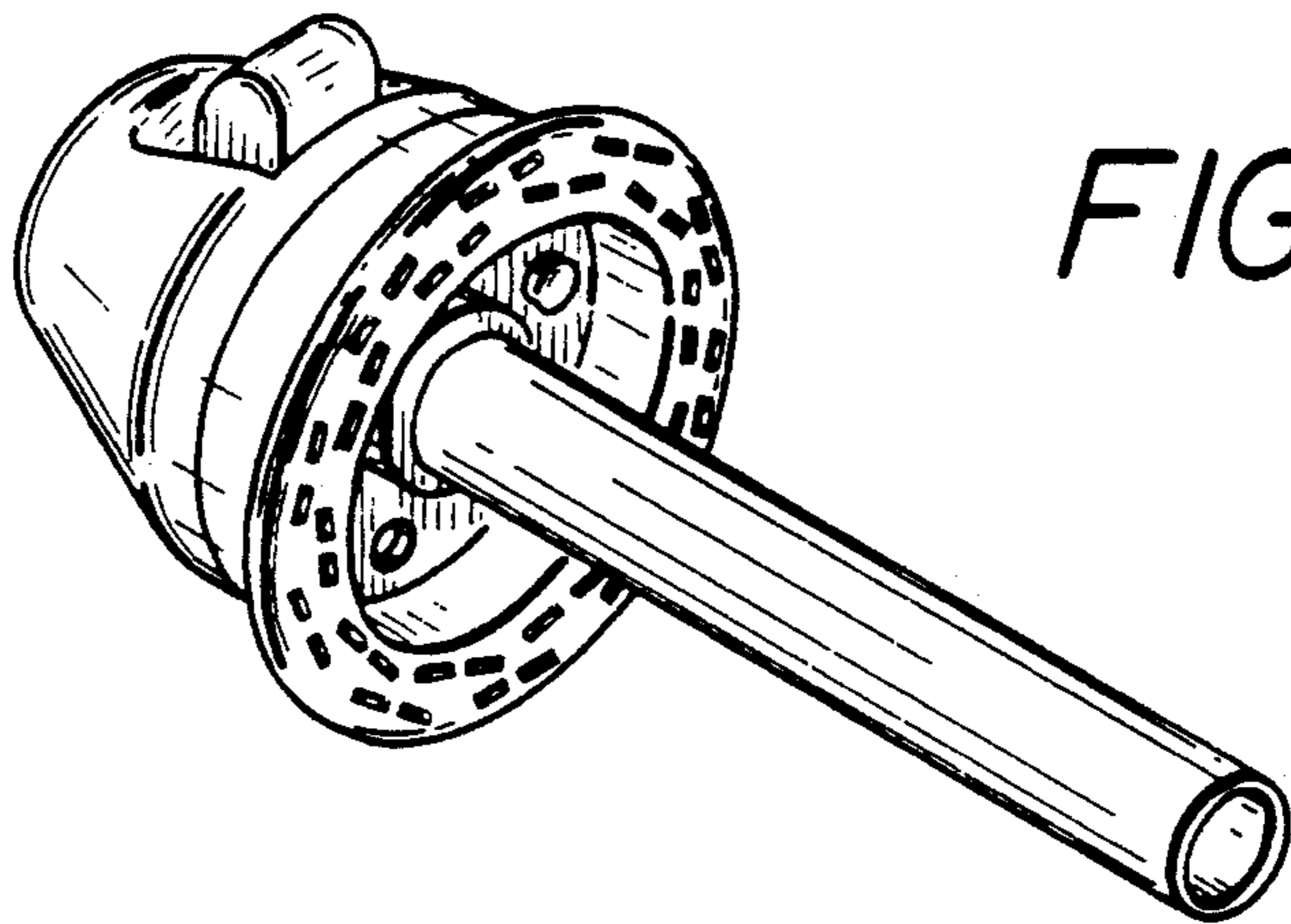


FIG-1

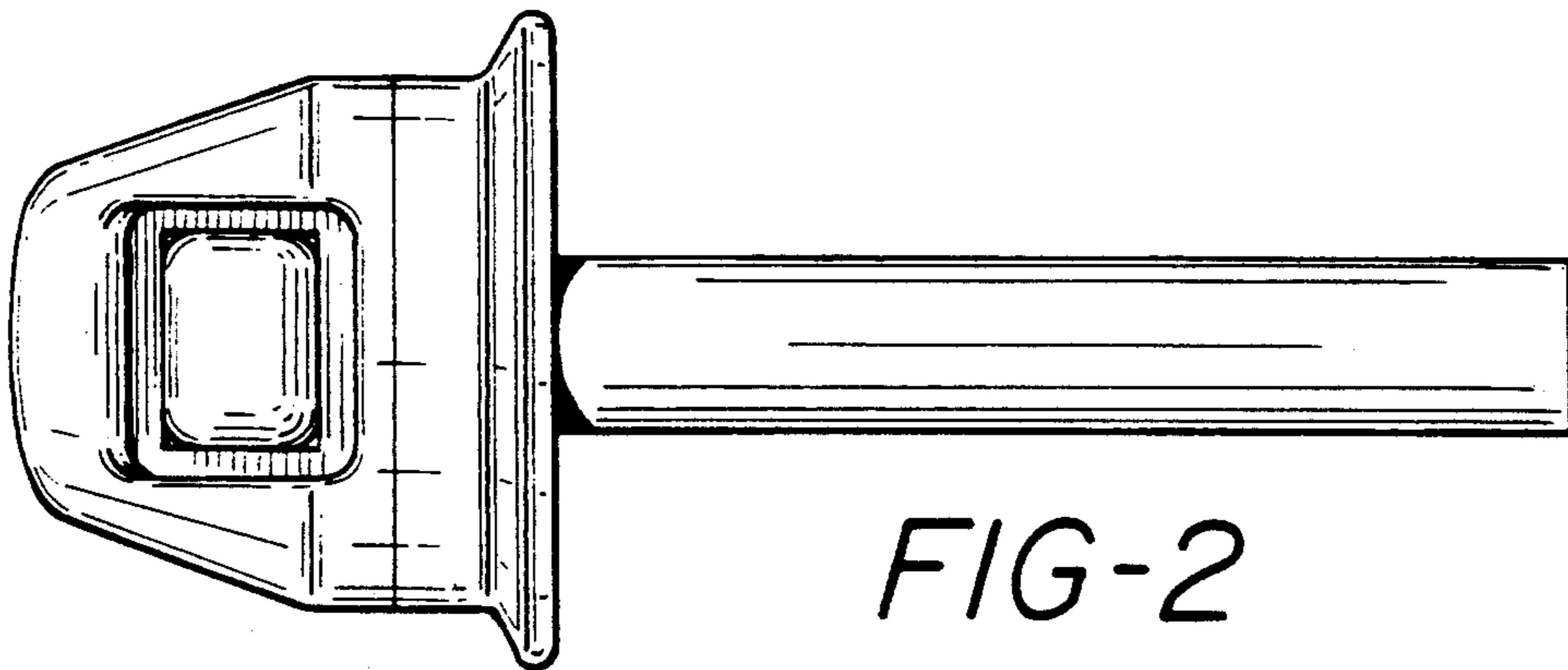


FIG-2

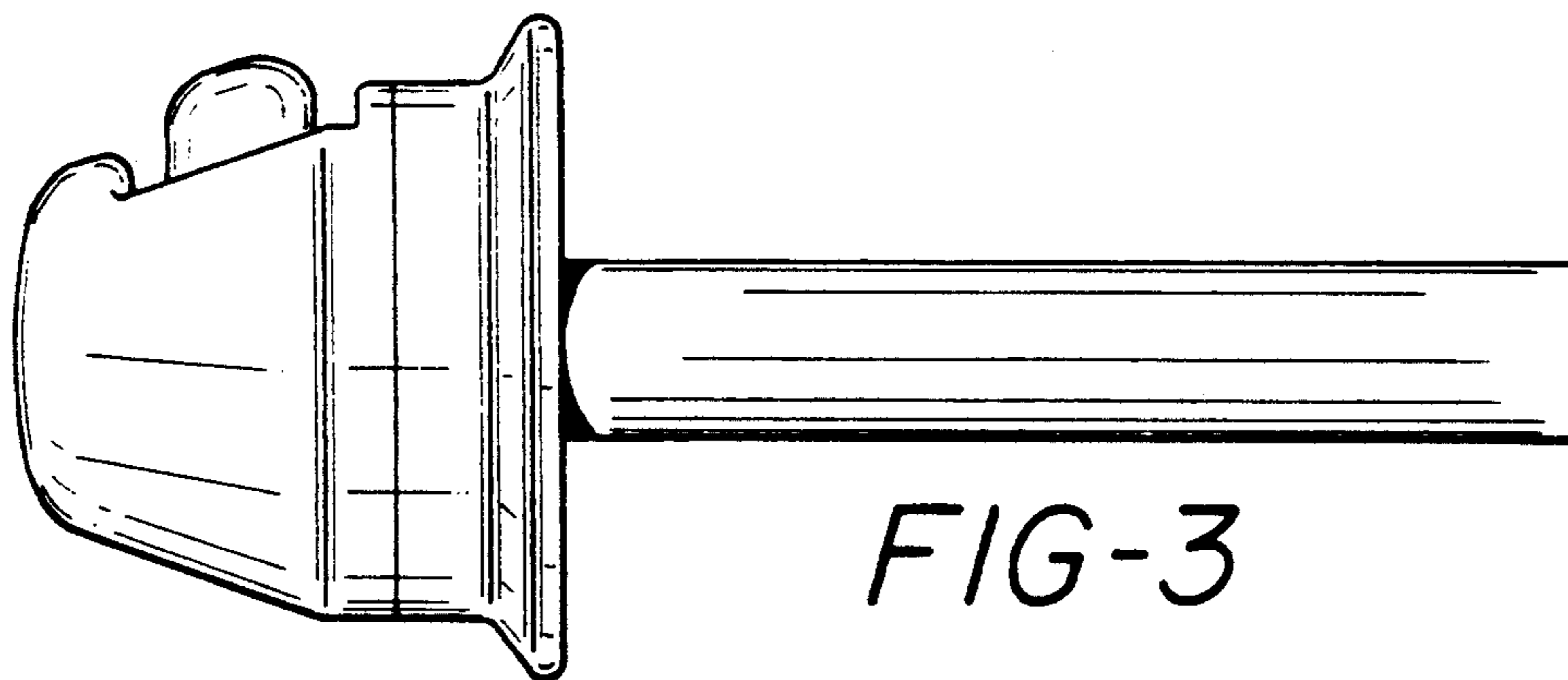


FIG-3

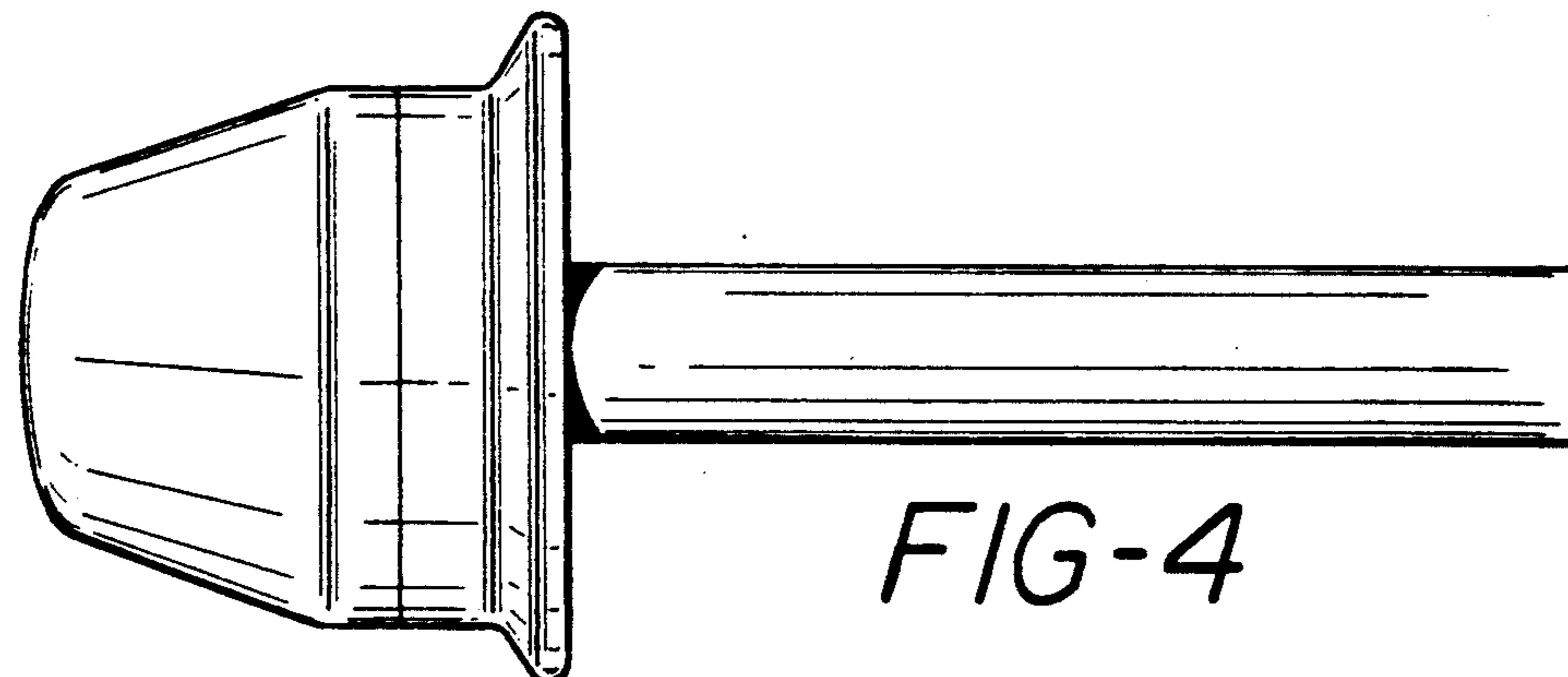


FIG-4

FIG-5

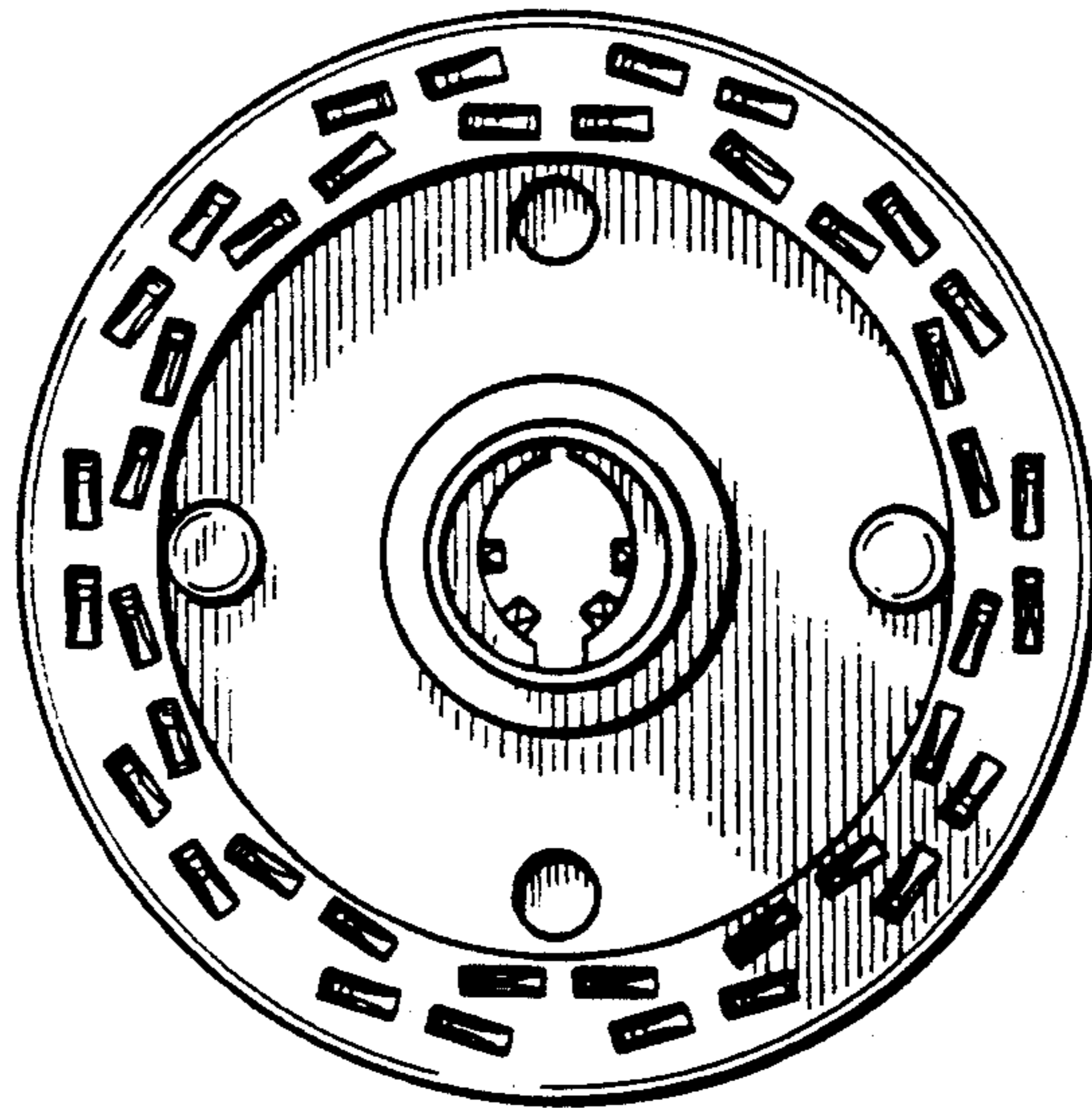


FIG-6

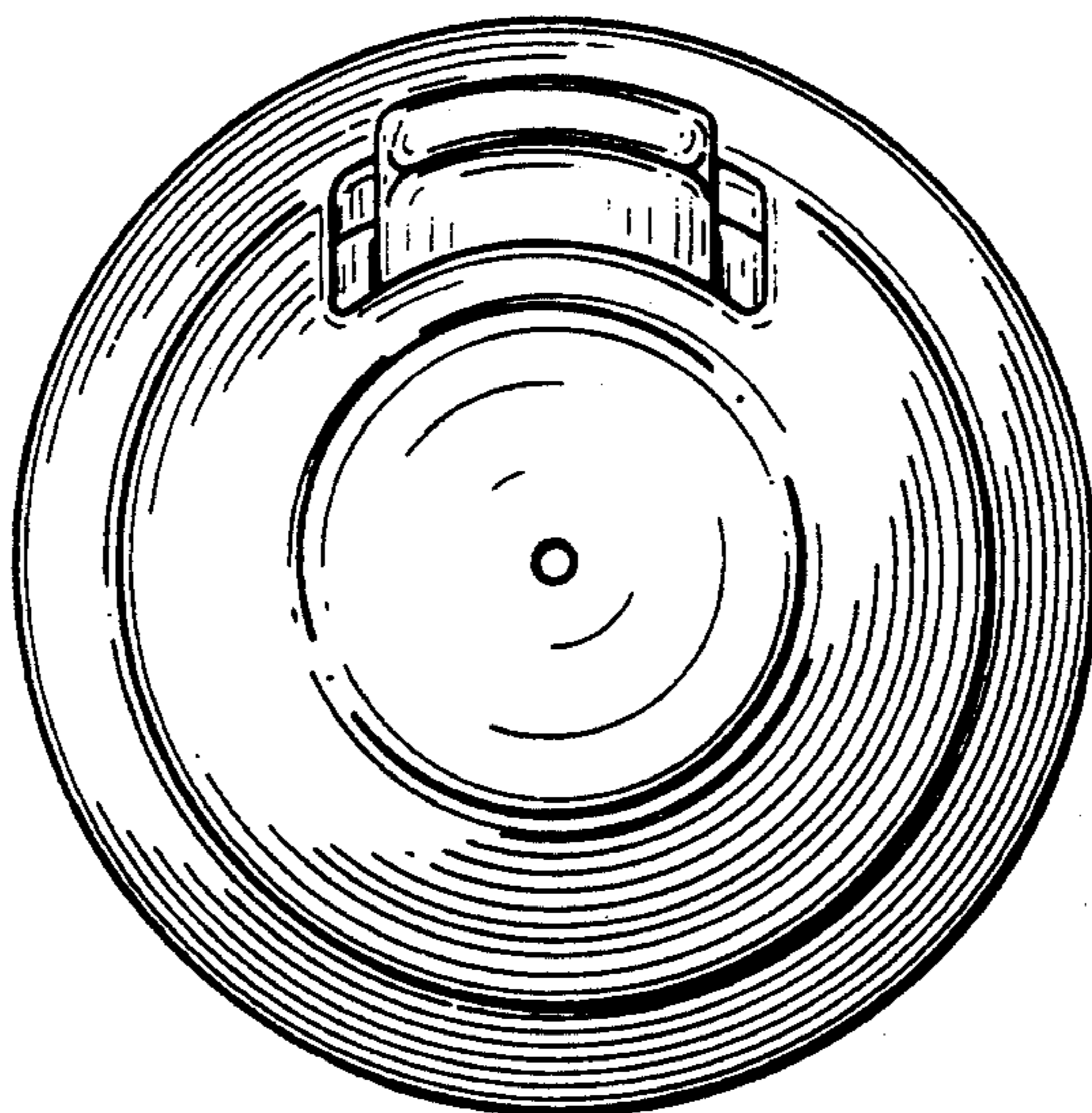


FIG-7

