



US00D331967S

# United States Patent [19]

[11] Patent Number: **Des. 331,967**

Flower

[45] Date of Patent: **\*\* Dec. 22, 1992**

- [54] **COLOSTOMY ASSISTANCE RACK**
- [76] Inventor: **John E. Flower**, 2783 W. Lydius St., Schenectady, N.Y. 12306
- [\*\*] Term: **14 Years**
- [21] Appl. No.: **601,331**
- [22] Filed: **Oct. 22, 1990**
- [52] U.S. Cl. .... **D24/107; D6/310**
- [58] Field of Search ..... **D24/107, 104; D6/308, D6/310, 553, 574; 359/872, 879**

*Attorney, Agent, or Firm*—Schmeiser, Morelle & Watts

### [57] CLAIM

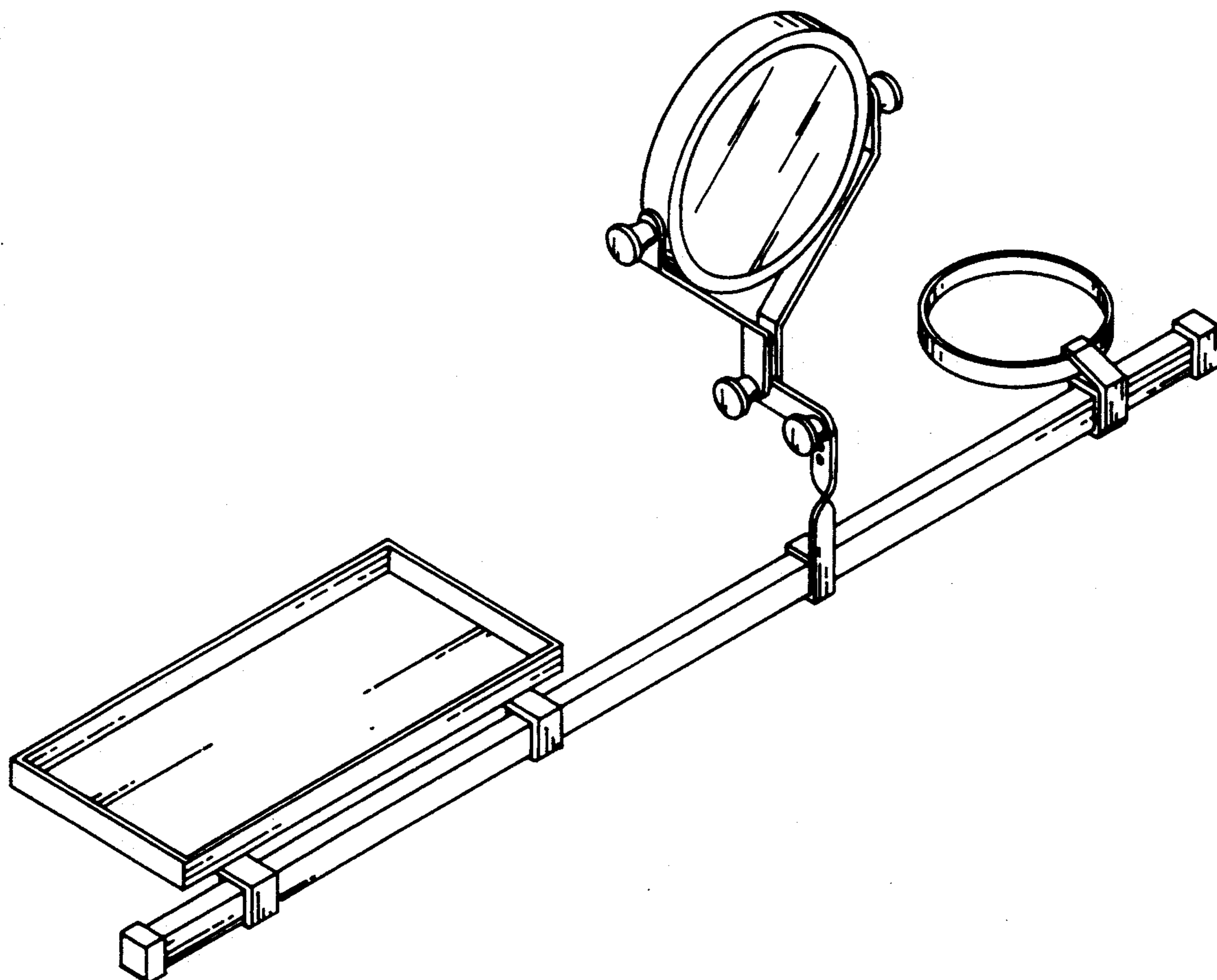
The ornamental design for a colostomy assistance rack, as shown and described.

### DESCRIPTION

FIG. 1 is a top plan view of a colostomy assistance rack showing my new design;  
 FIG. 2 is a front elevational view;  
 FIG. 3 is a side elevational view taken from the right side of the invention;  
 FIG. 4 is a partial sectional view taken along lines 4—4 of FIG. 2;  
 FIG. 5 is a partial sectional view taken along lines 5—5 of FIG. 2;  
 FIG. 6 is a partial sectional view taken along lines 6—6 of FIG. 2;  
 FIG. 7 is a front perspective view of the invention from the left quarter; and,  
 FIG. 8 is a rear perspective view taken from the right quarter and 180 degrees from the view of FIG. 7.

- [56] **References Cited**
- U.S. PATENT DOCUMENTS**
- D. 295,479 5/1988 Plaut ..... D6/574
- D. 325,779 4/1992 Lash ..... D24/108
- 1,226,543 5/1917 Lepak ..... D6/553 X
- 2,640,748 6/1953 Holmberg ..... 359/872
- 4,860,989 8/1989 Rose et al. .... 359/879

*Primary Examiner*—Louis S. Zarfes



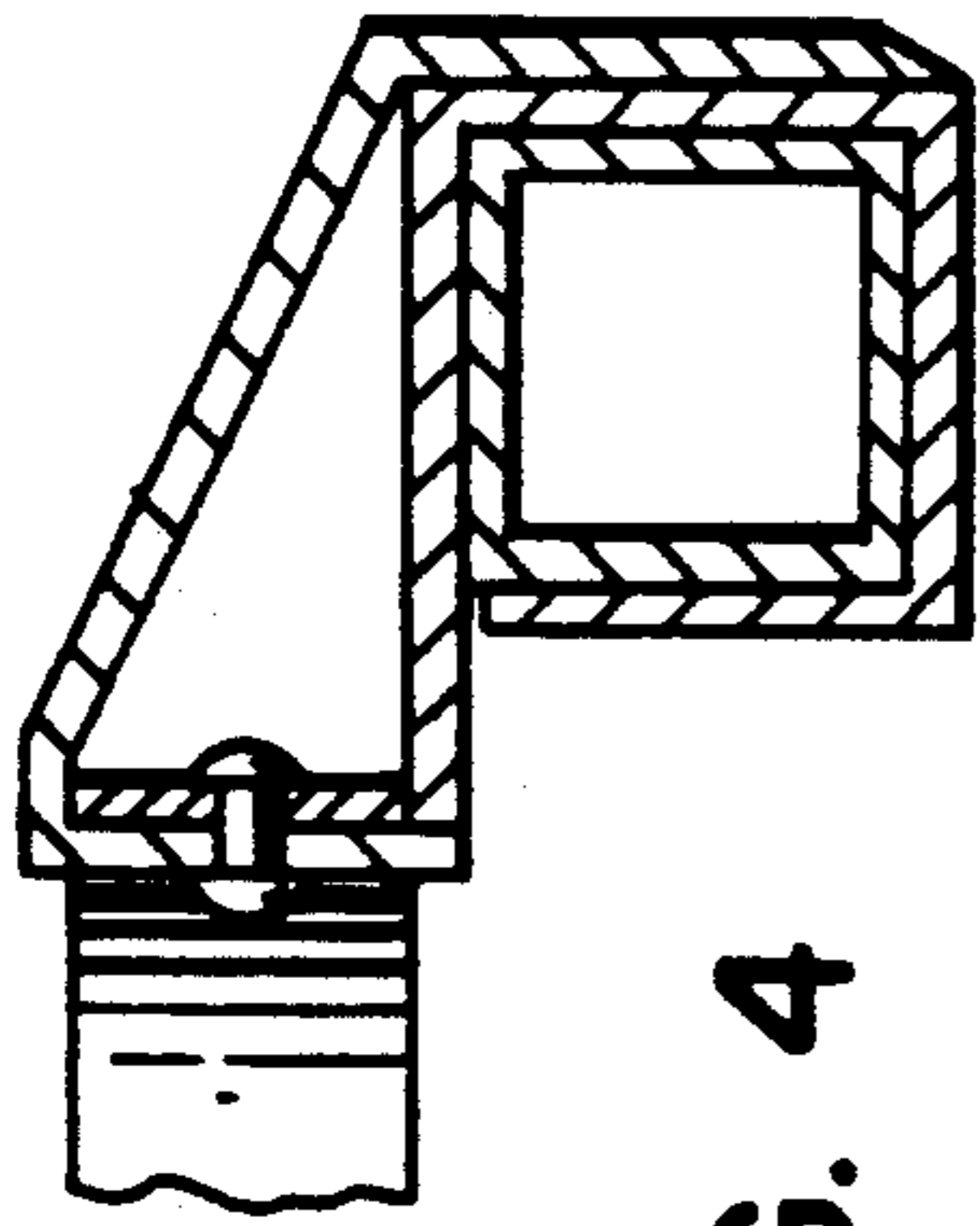


FIG. 4

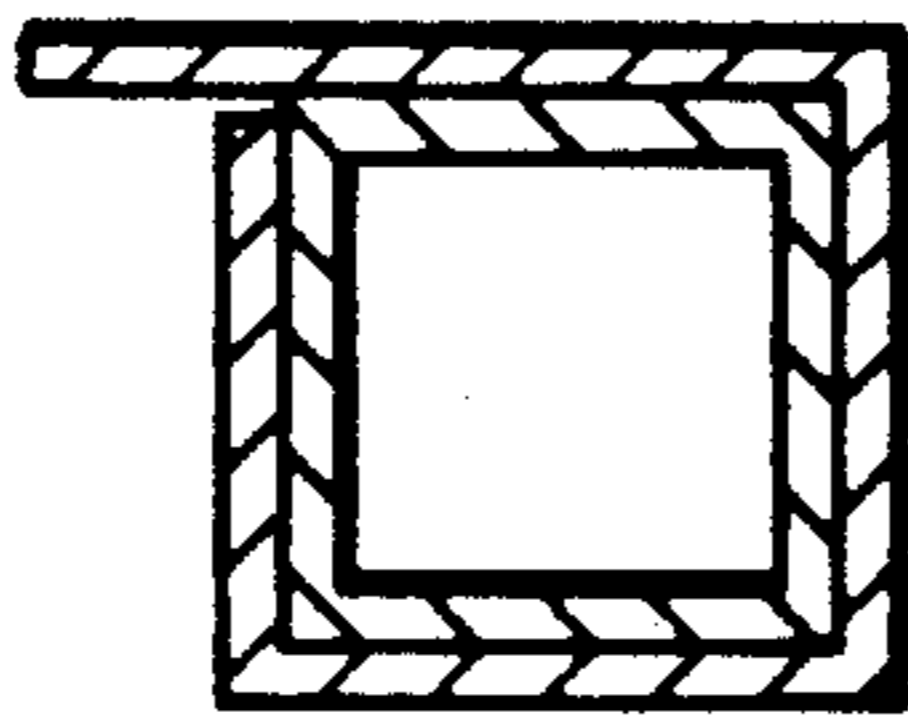


FIG. 6

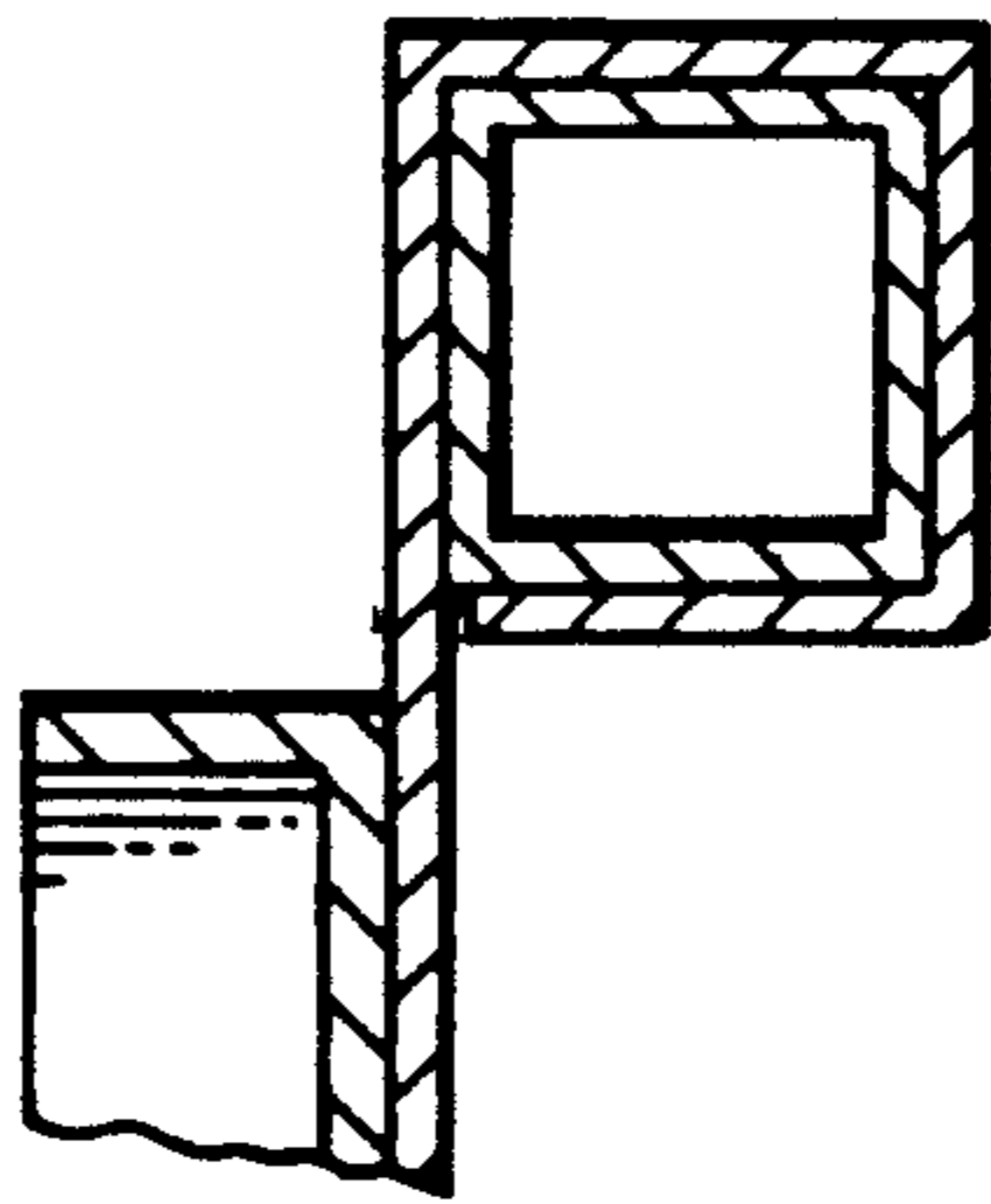


FIG. 5

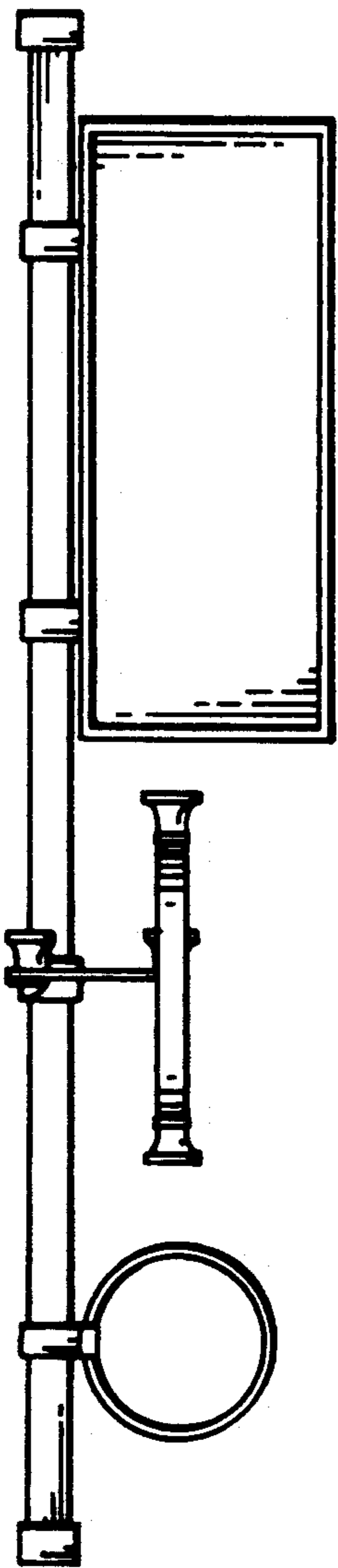


FIG. 1

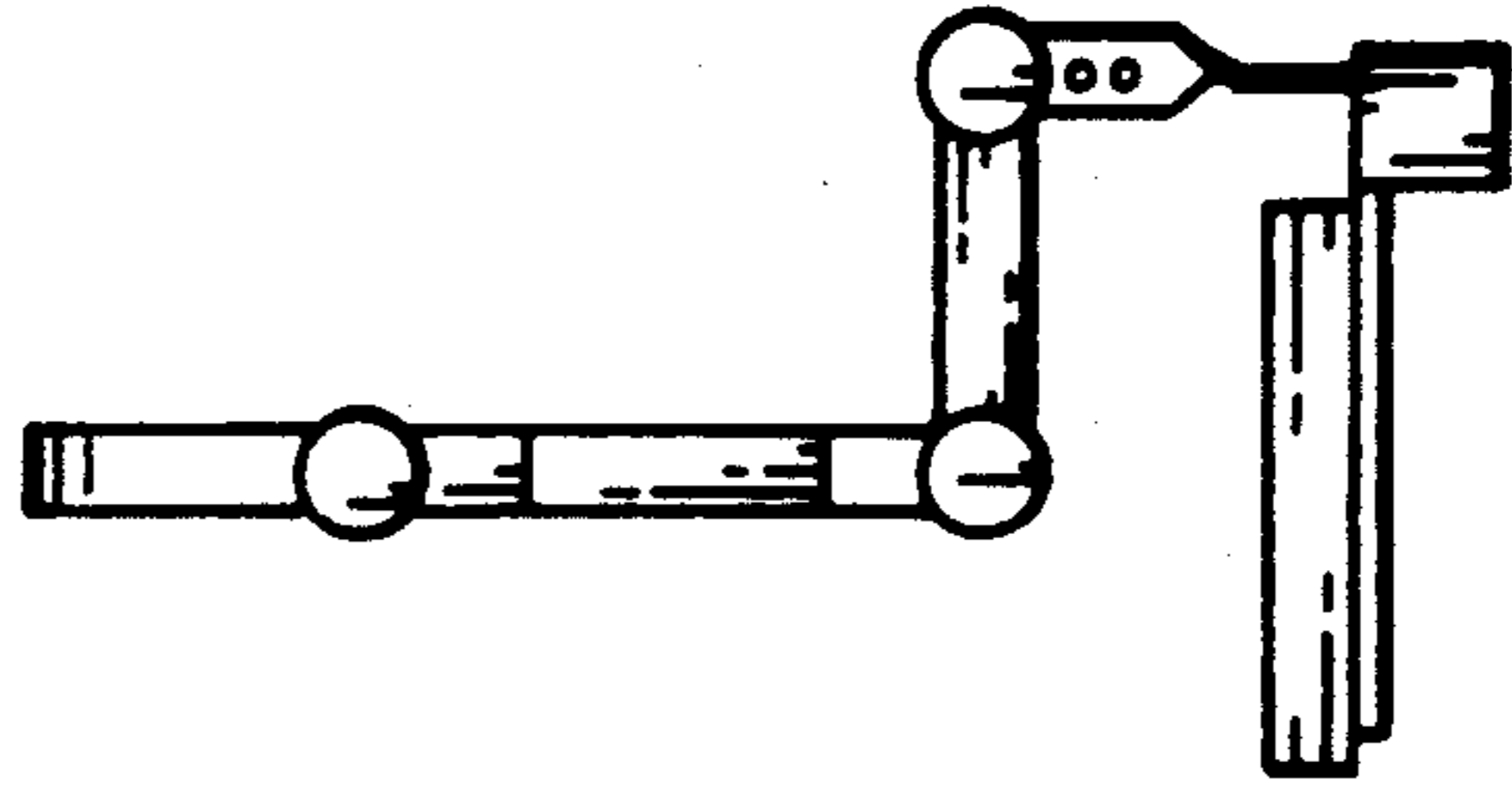


FIG. 3

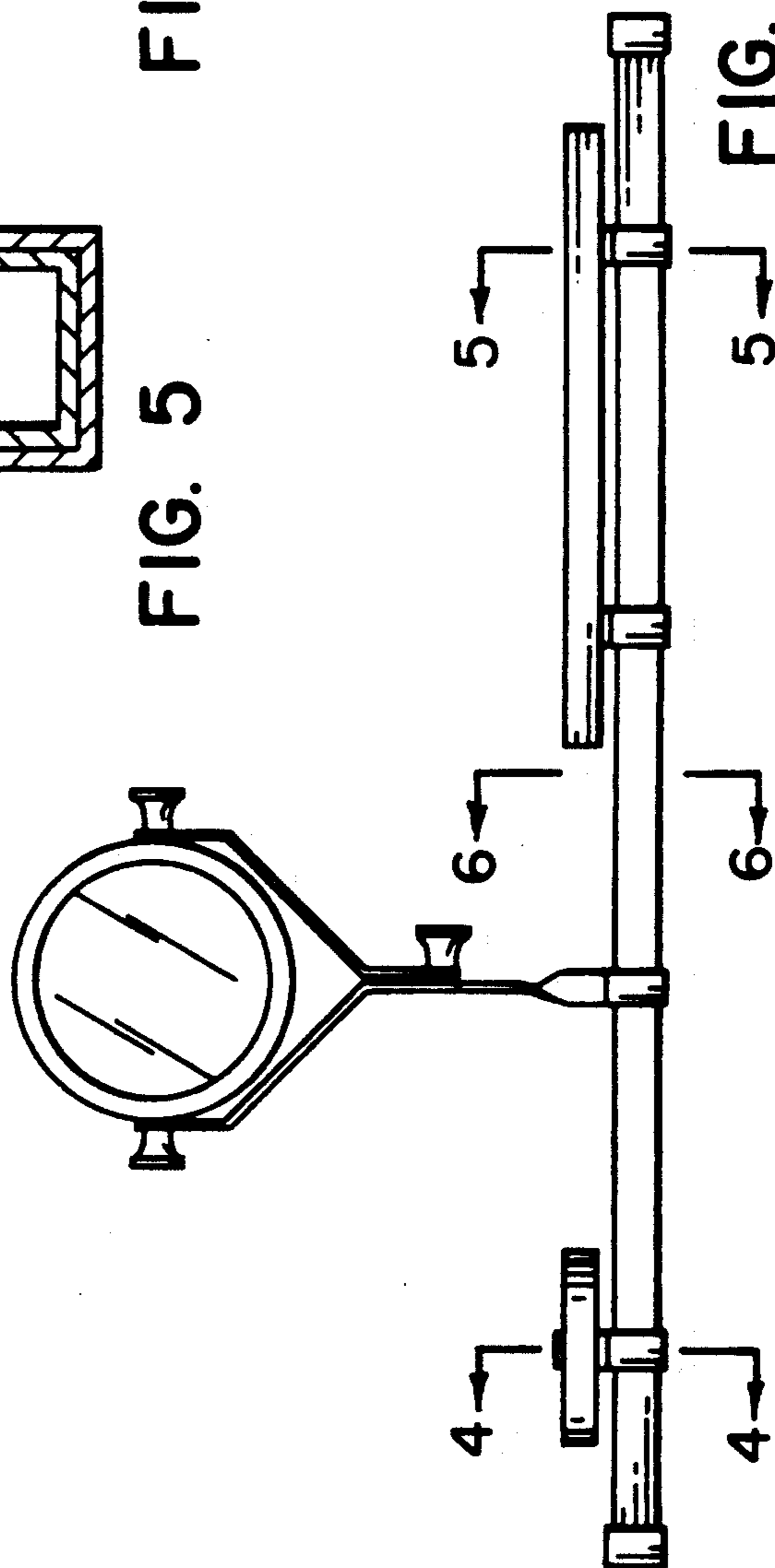


FIG. 2

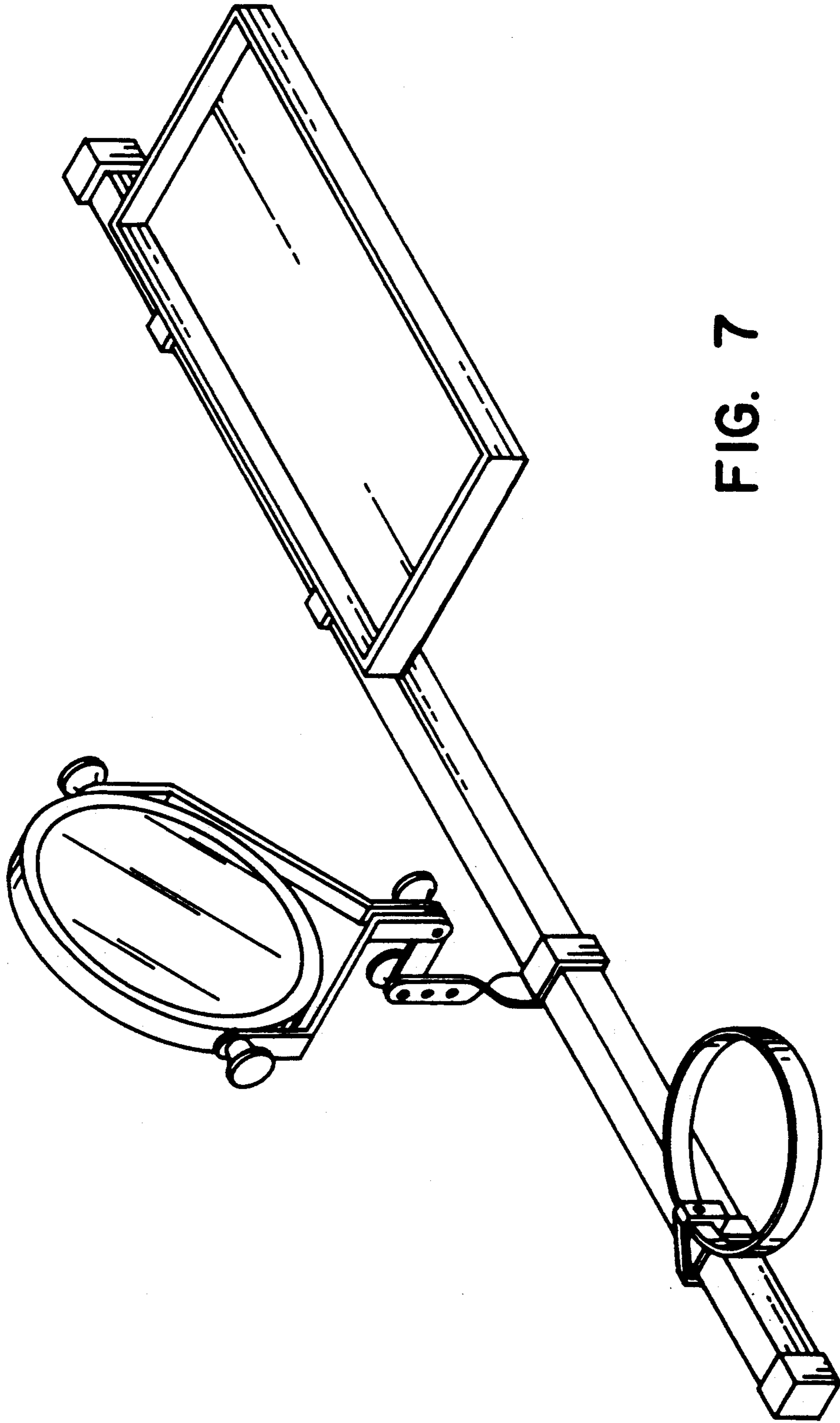


FIG. 7

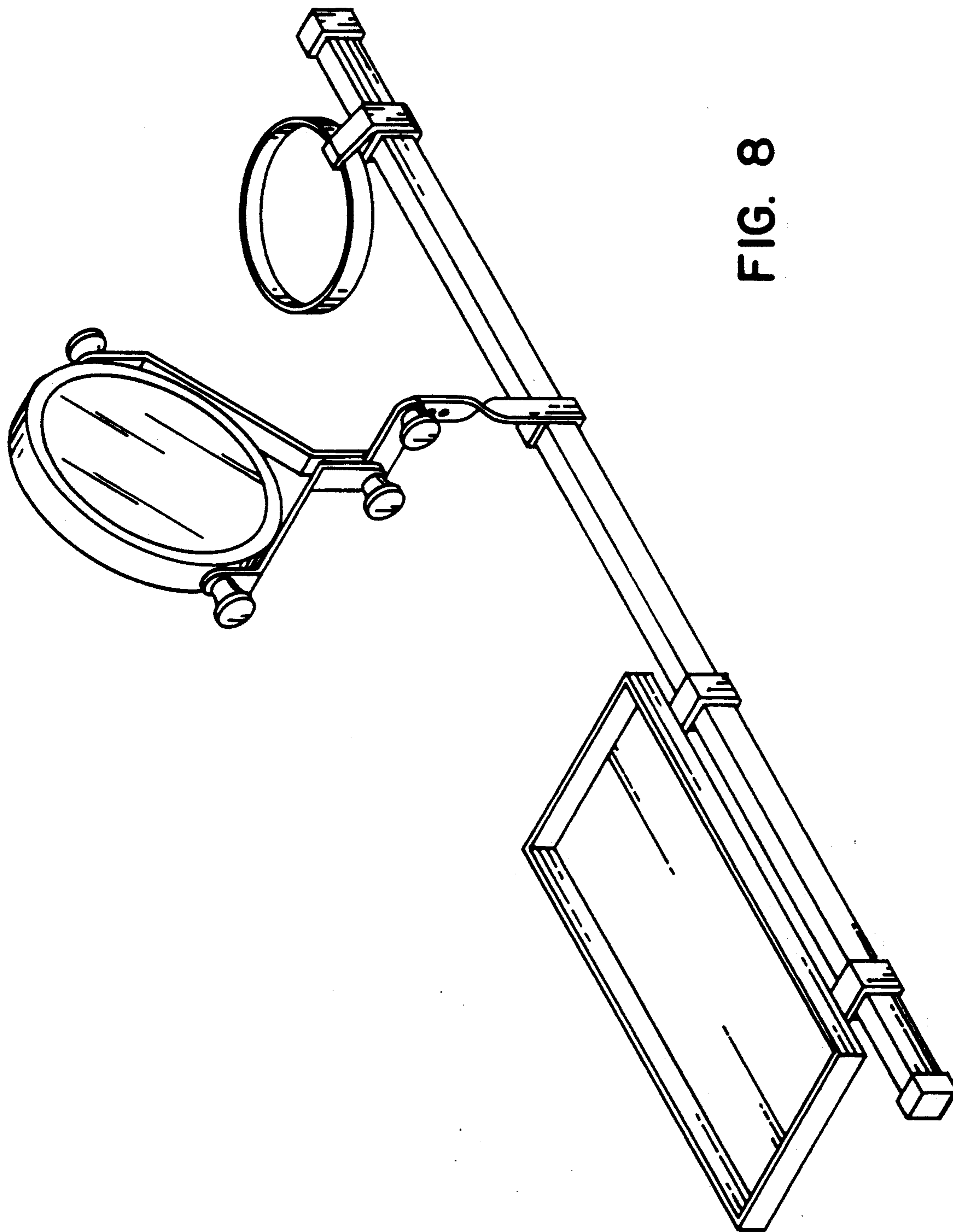


FIG. 8