



US00D331964S

United States Patent [19]

[11] Patent Number: **Des. 331,964**

Hengesbach

[45] Date of Patent: **** Dec. 22, 1992**

[54] COMBINED FLOW CONTROL VALVE AND SPRAY WAND TUBE

[76] Inventor: **Robert W. Hengesbach**, 7886 Munson Rd., Mentor, Ohio 44060

[*] Notice: The portion of the term of this patent subsequent to Apr. 21, 2006 has been disclaimed.

[**] Term: **14 Years**

[21] Appl. No.: **823,542**

[22] Filed: **Jan. 17, 1992**

Related U.S. Application Data

[62] Division of Ser. No. 312,252, Feb. 21, 1989, Pat. No. Des. 325,621.

[52] U.S. Cl. **D23/245**

[58] Field of Search **D23/223-254;**
239/396, 569, 575, 589

[56] References Cited

U.S. PATENT DOCUMENTS

D. 183,042	6/1958	Fuglie et al.	D91/3
D. 234,845	4/1975	Davis	D23/1
D. 254,146	2/1980	Koenig	D23/19
D. 254,322	2/1980	Koenig	D23/19
D. 270,368	8/1983	Grime	D23/01
D. 282,392	1/1986	Hengesbach	D23/17
D. 284,301	6/1986	Hengesbach	D23/17
D. 285,242	8/1986	Hengesbach	D23/17
D. 285,477	9/1986	Hengesbach	D23/18
D. 285,478	9/1986	Hengesbach	D23/19
D. 285,479	9/1986	Hengesbach	D23/20
D. 288,229	2/1987	Beal et al.	D23/43
D. 293,127	12/1987	Hengesbach	D23/226
D. 304,487	11/1989	Hengesbach	D23/245
D. 304,488	11/1989	Hengesbach	D23/245
D. 304,489	11/1989	Hengesbach	D23/245
D. 304,490	11/1989	Hengesbach	D23/245
336,602	2/1886	Tomlinson .	
370,836	10/1887	Wilkins .	
511,728	12/1893	Deming .	
564,500	7/1896	Benedict et al. .	
676,526	6/1901	Anderson .	
915,694	3/1909	Pendergrass .	
949,489	2/1910	Mastin .	
1,605,617	11/1926	Ruemelin .	

1,743,537	1/1930	Freese .	
2,072,555	3/1937	Hengesbach et al.	122/144
2,157,269	5/1939	Richter	158/27.4
2,293,390	8/1942	Hengesbach	299/84
2,333,727	9/1945	Lucas	47/49
2,366,969	1/1945	Kiggins	299/140
2,421,103	5/1947	Wadsworth	285/209
2,421,104	5/1947	Wadsworth	285/97.5
2,564,938	8/1951	Warren	285/95
2,657,098	10/1953	Straham	299/131
2,783,092	2/1957	Gavin et al.	299/116
2,788,926	4/1957	Morrison	222/394
2,890,067	6/1959	Morin	285/166
2,929,406	3/1960	Anderson	137/615
3,116,882	1/1964	Vork	239/587
3,202,360	8/1965	O'Brien	239/119
3,319,893	5/1967	Rodgers et al.	239/393
3,475,039	10/1969	Ortloff	285/45
3,556,411	1/1971	Nord et al.	239/581
3,632,046	1/1972	Hengesbach	239/318
3,711,028	1/1973	Hengesbach	239/288.5
3,727,841	4/1973	Hengesbach	239/145
3,756,273	9/1973	Hengesbach	137/540
3,814,329	6/1974	Clark	239/426
3,955,763	5/1976	Pyle et al.	239/119
4,035,004	7/1977	Hengesbach	285/166
4,206,877	6/1980	Hoza, III	239/524
4,449,696	5/1984	Hengesbach	251/231
4,473,328	9/1984	Hengesbach	406/152
4,531,675	7/1985	Muck	239/290
4,569,160	2/1986	Hengesbach	51/427
4,629,121	12/1986	Hengesbach	239/119

FOREIGN PATENT DOCUMENTS

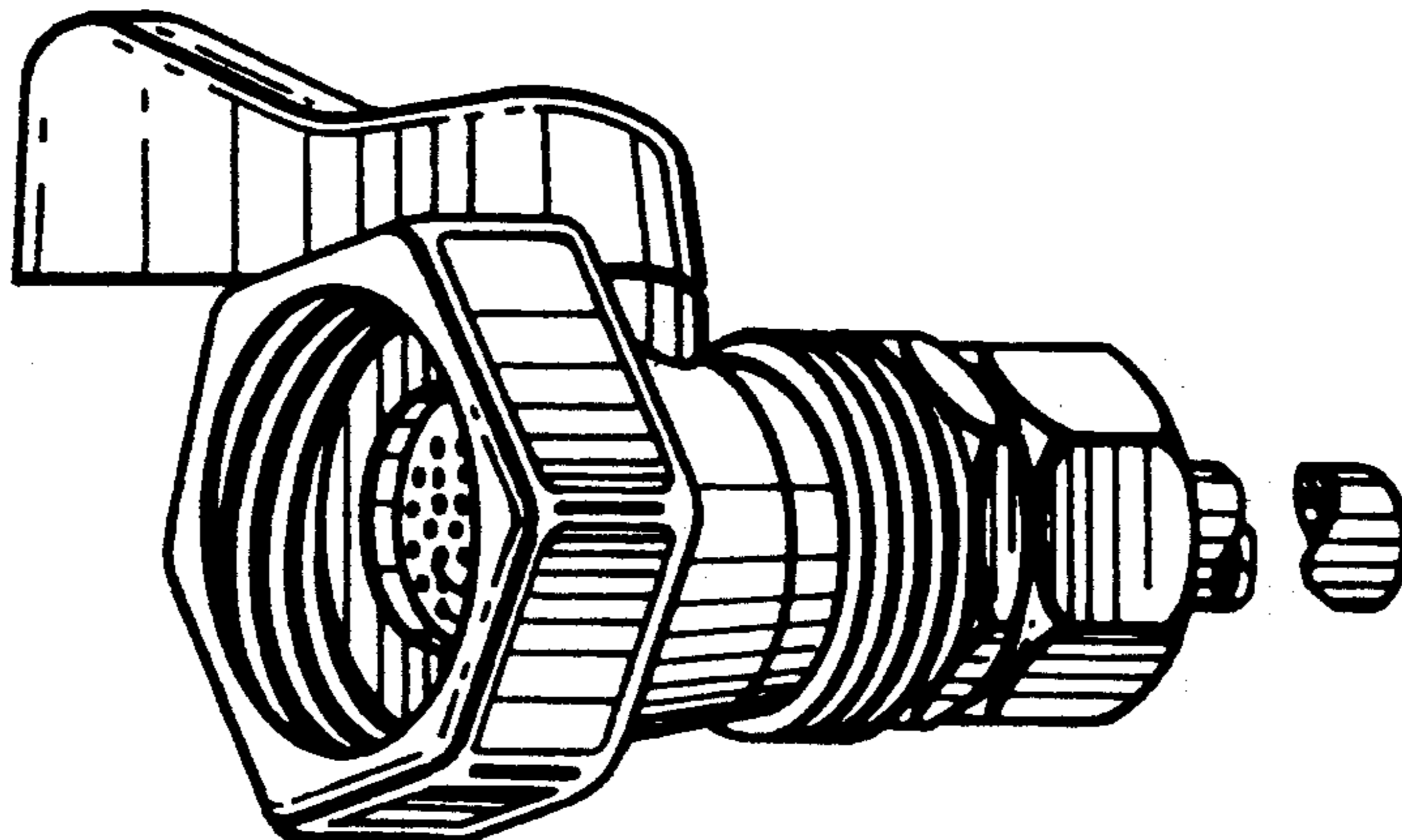
874866	7/1971	Canada .	
937262	11/1973	Canada .	
952559	8/1974	Canada .	
998716	10/1976	Canada .	
1029422	4/1978	Canada	299/15
1040236	10/1978	Canada	299/15
1045657	1/1979	Canada .	
2266070	10/1976	France .	

OTHER PUBLICATIONS

Brochure, Tri-Con, Inc., 4 pages, dated Jan. 1, 1977, entitled: We make the system.

Brochure, Spraying Systems Co., Catalog 27, pp. 74-79, 1978, entitled: Spray Nozzles and Accessories.

Brochure, Spraying Systems Co., Bulletin 179F, 7



pages, 1971, entitled: Spray Nozzles, Spray Guns, Valves and Accessories.

Brochure, Tri-Con, Inc., 2 pages, date unknown, entitled: Tri-Con Rust-Fighter Vehicle Inner-Body Coating System 9000.

Brochure, Tri-Con, Inc., 4 pages, date unknown, entitled: The Tri-Con All Purpose Nozzle.

Primary Examiner—James R. Largen

Attorney, Agent, or Firm—David A. Burge

[57]

CLAIM

The ornamental design for a combined flow control valve and spray wand tube, as shown and described.

DESCRIPTION

FIG. 1 is a perspective view of a combined flow control valve and spray wand tube showing my new design;

FIG. 2 is a left end elevational view thereof;

FIG. 3 is a right end elevational view thereof;

FIG. 4 is a top plan view thereof;

FIG. 5 is a bottom plan view thereof;

FIG. 6 is an enlarged cross sectional view taken on line 6—6 of FIG. 4;

FIG. 7 is a perspective view of a second embodiment thereof;

FIG. 8 is a left end elevational view of FIG. 7;

FIG. 9 is a right end elevational view of FIG. 7;

FIG. 10 is a top plan view of FIG. 7;

FIG. 11 is a bottom plan view of FIG. 7;

FIG. 12 is an enlarged cross sectional view taken on line 12—12 of FIG. 10;

FIG. 13 is a perspective view of a third embodiment thereof;

FIG. 14 is a left end elevational view of FIG. 13;

FIG. 15 is a right end elevational view of FIG. 13;

FIG. 16 is a top plan view of FIG. 13;

FIG. 17 is a bottom plan view of FIG. 13; and,

FIG. 18 is an enlarged cross sectional view taken on line 18—18 of FIG. 16;

The spray wand tube has been shown broken away in FIGS. 1, 2, 4 through 8, 10 through 14 and 16 through 18 to indicate indeterminate length.

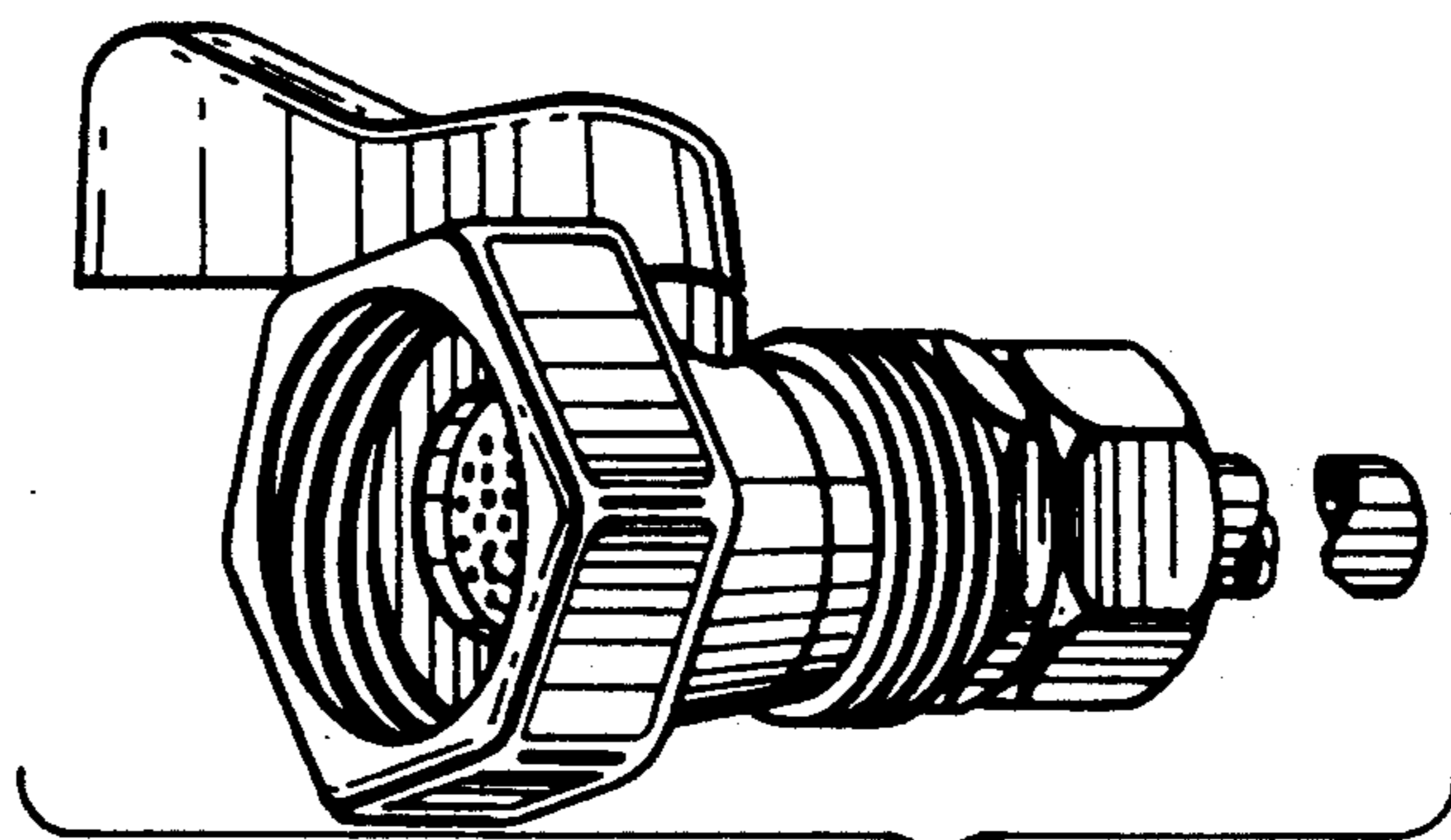


FIG. 1

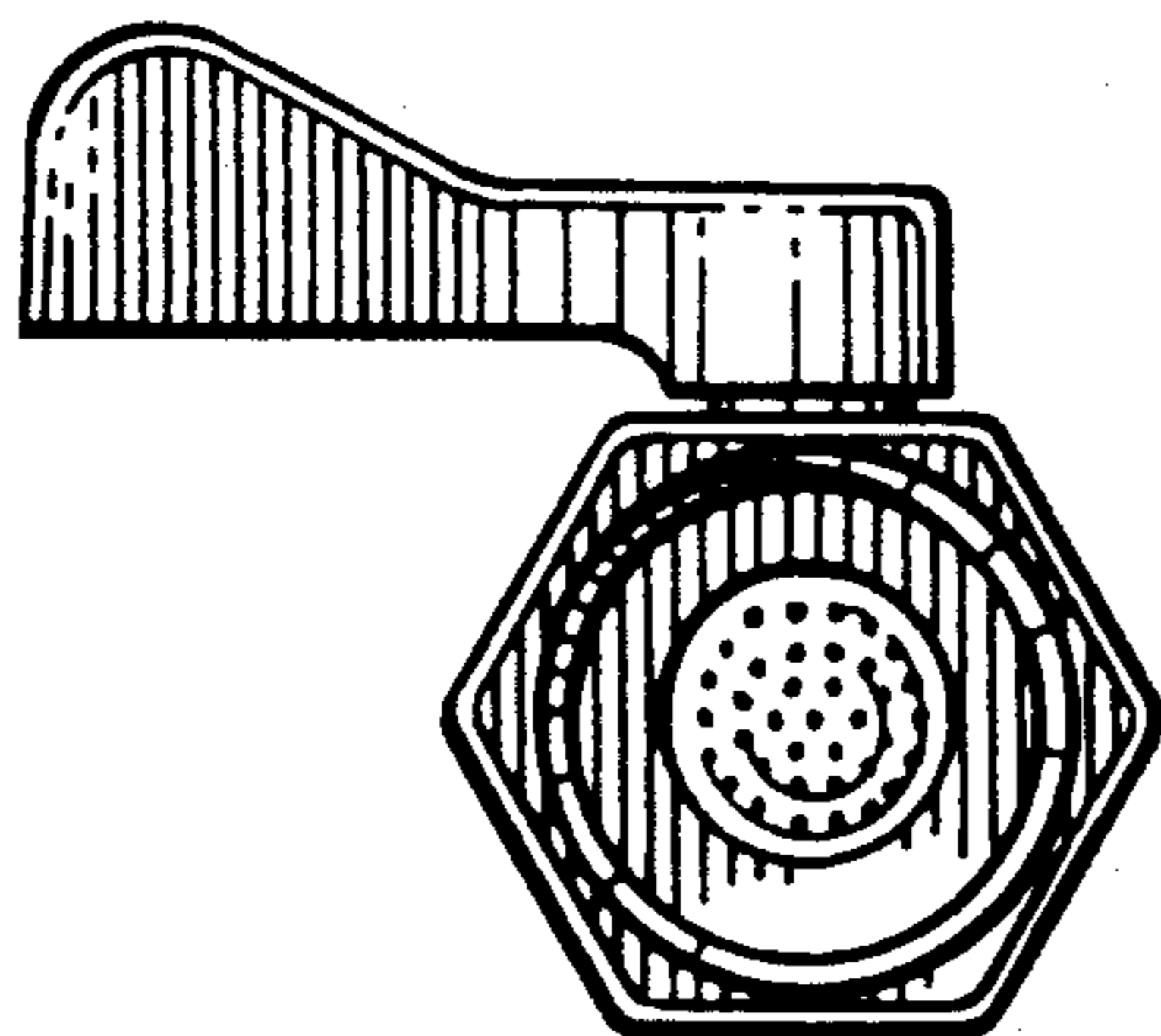


FIG. 2

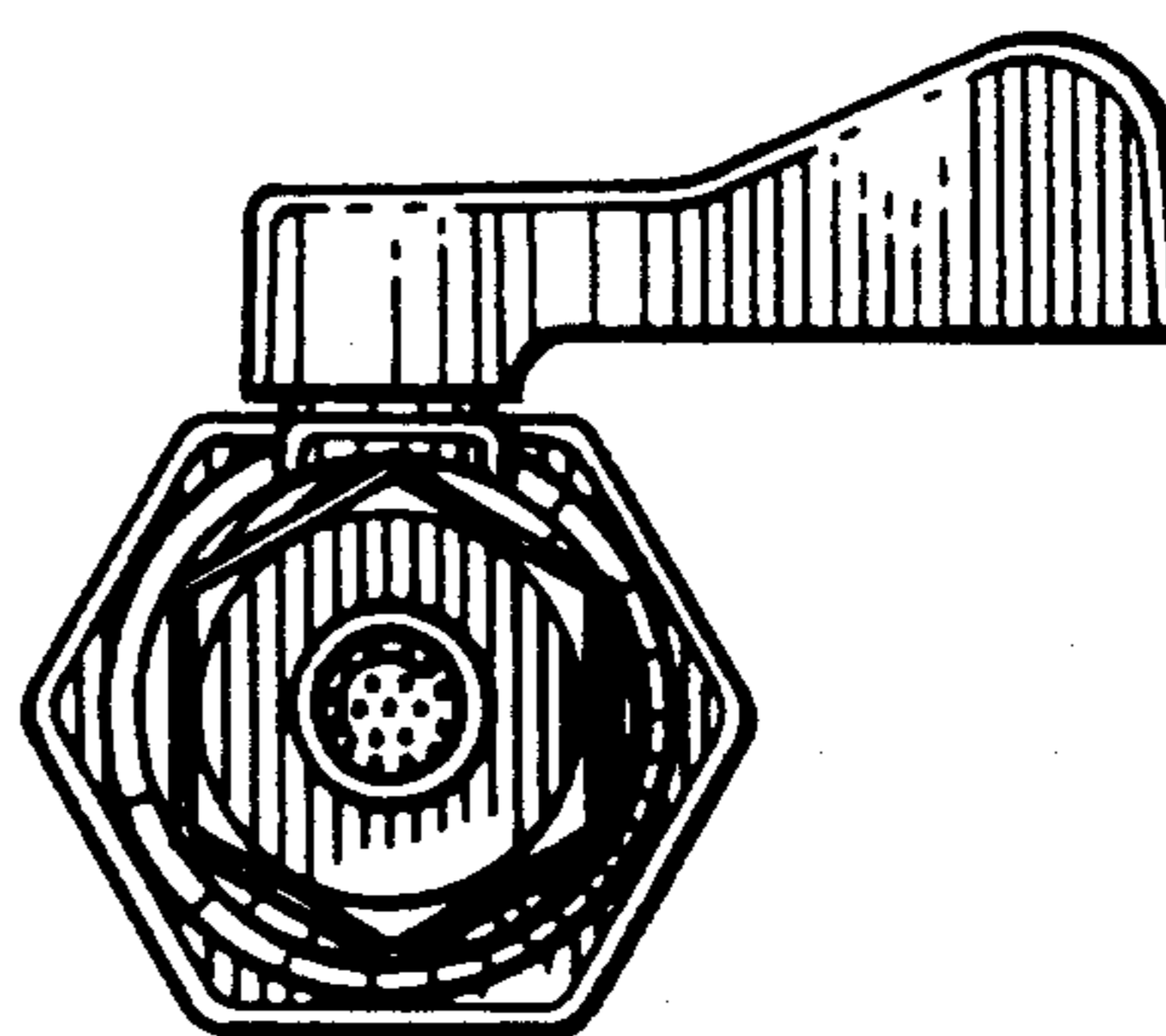


FIG. 3

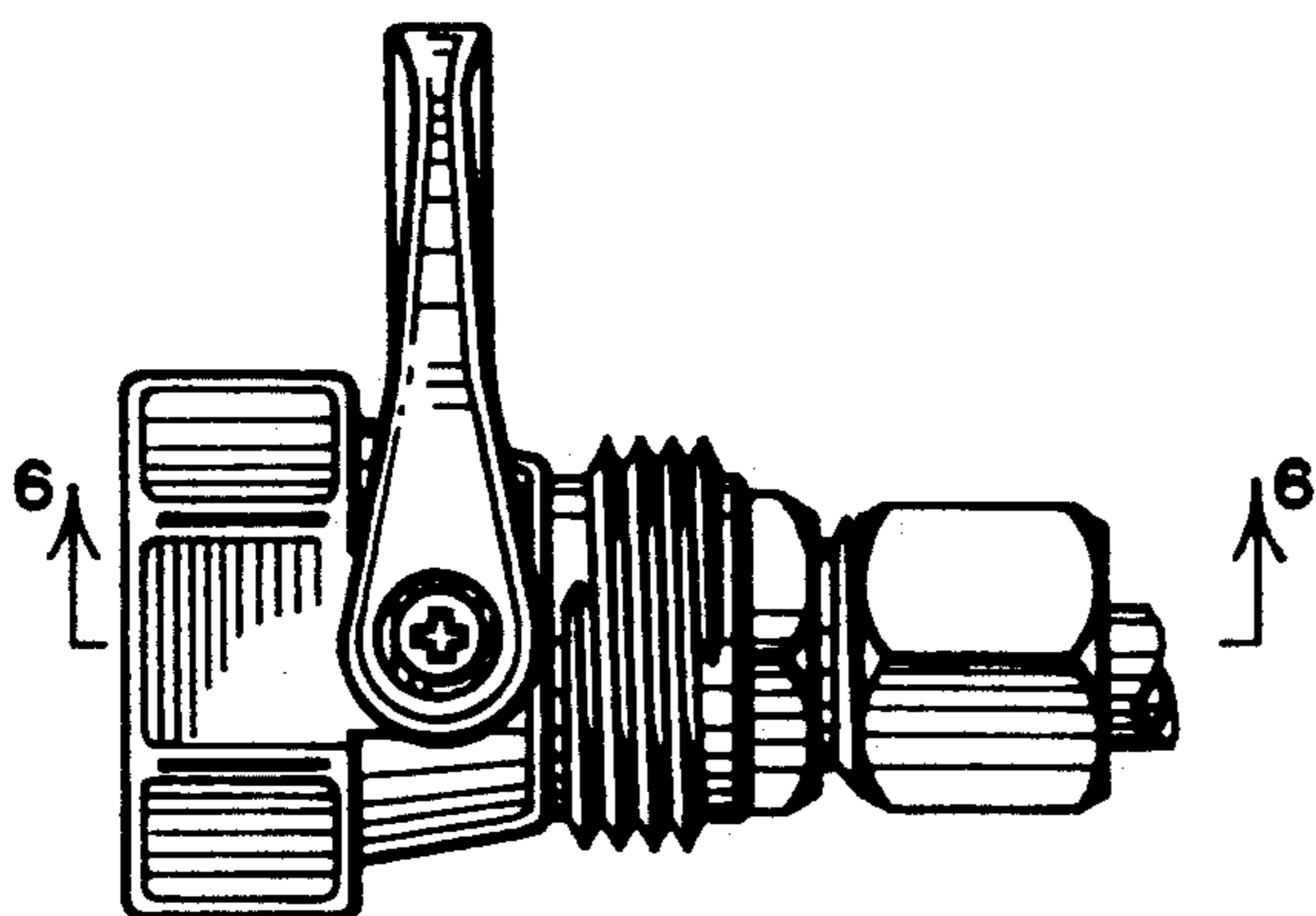


FIG. 4

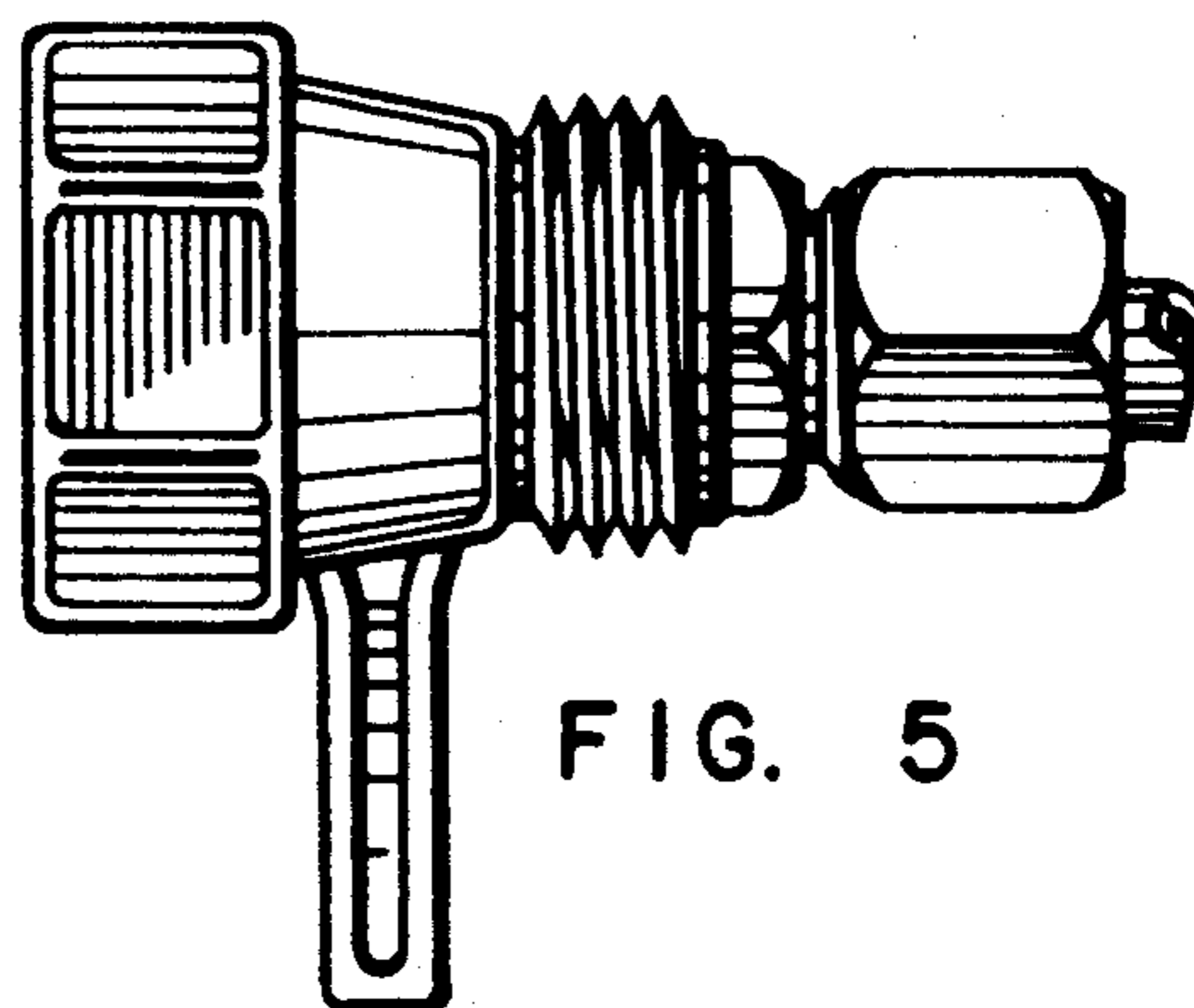
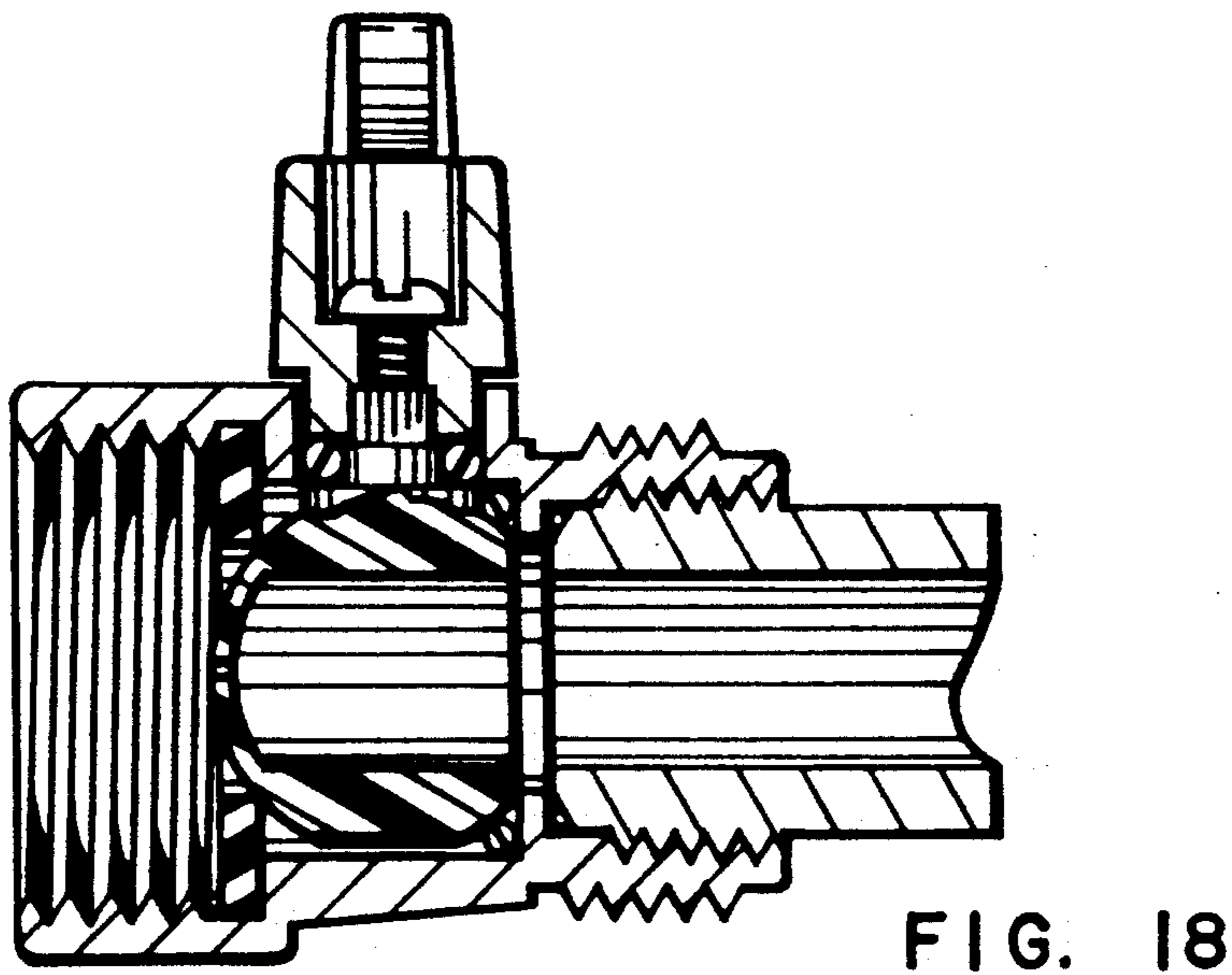
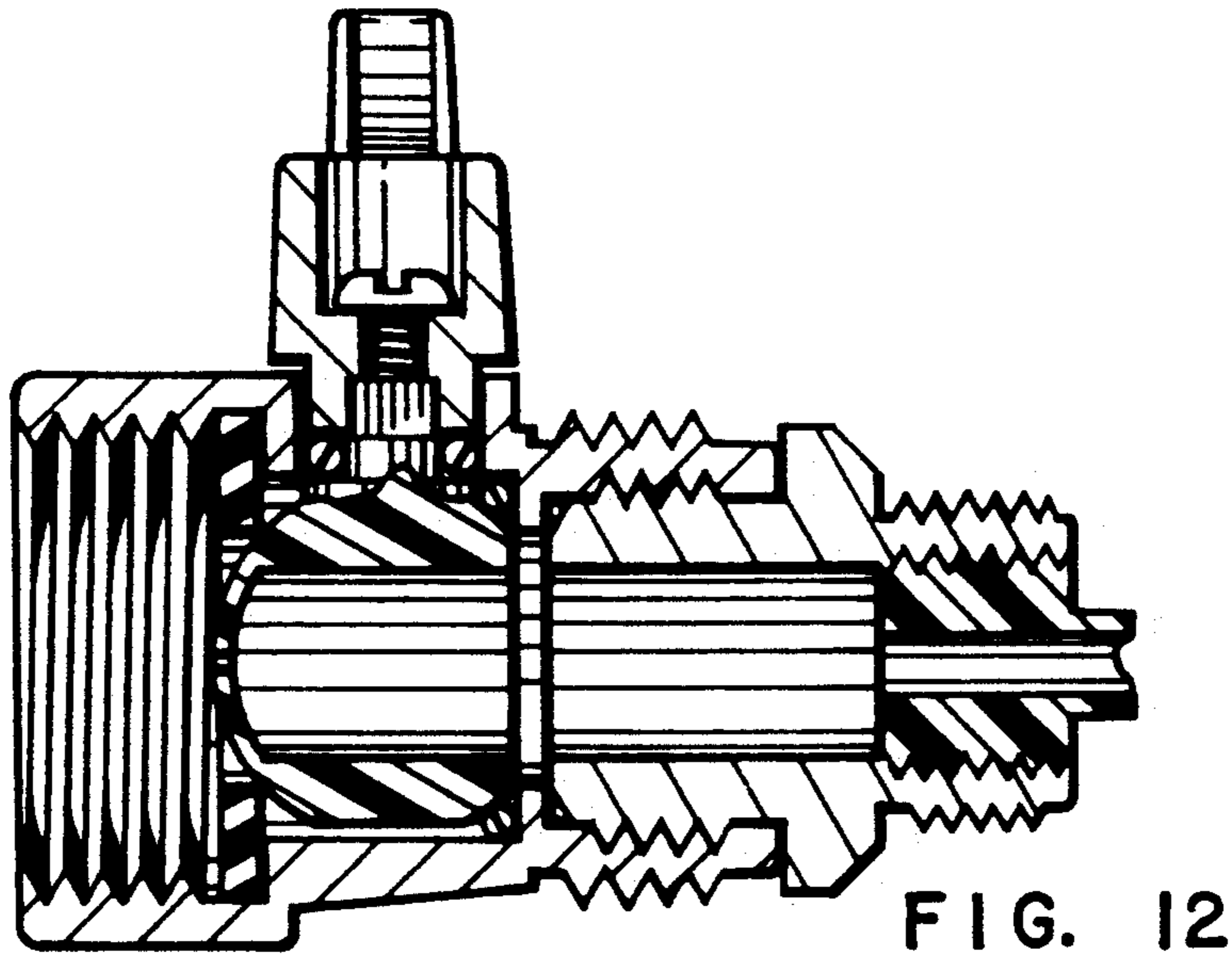
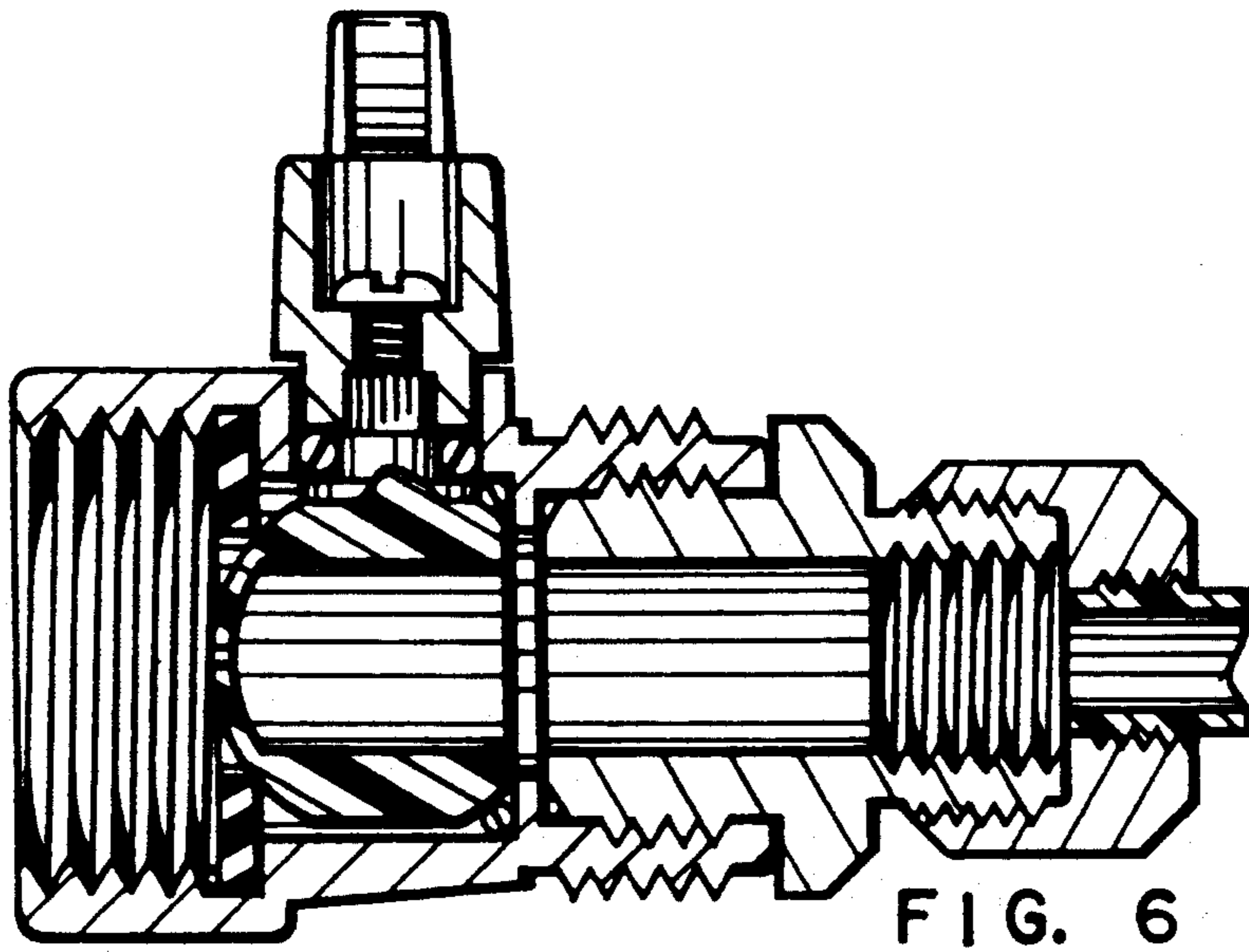


FIG. 5



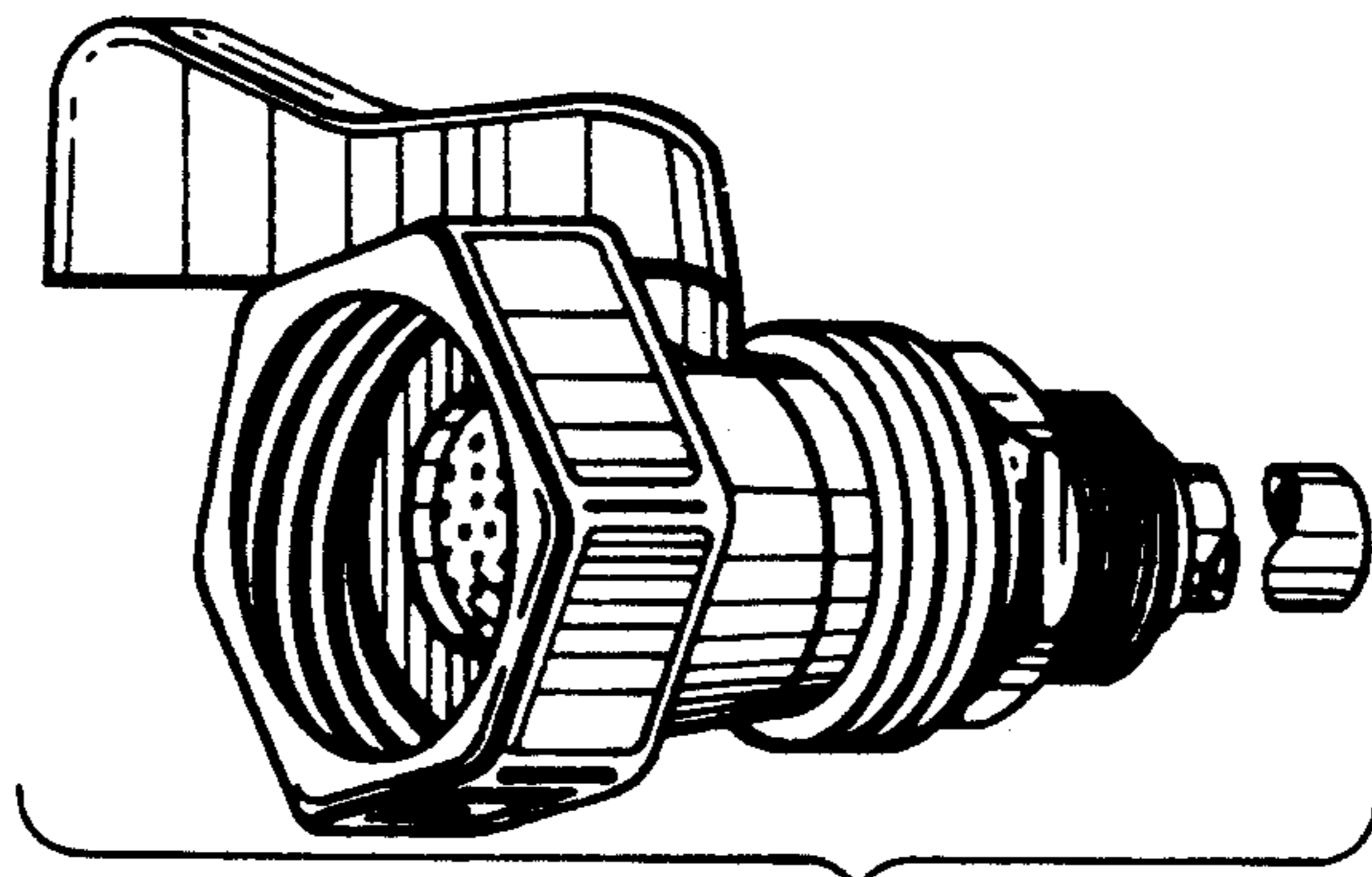


FIG. 7

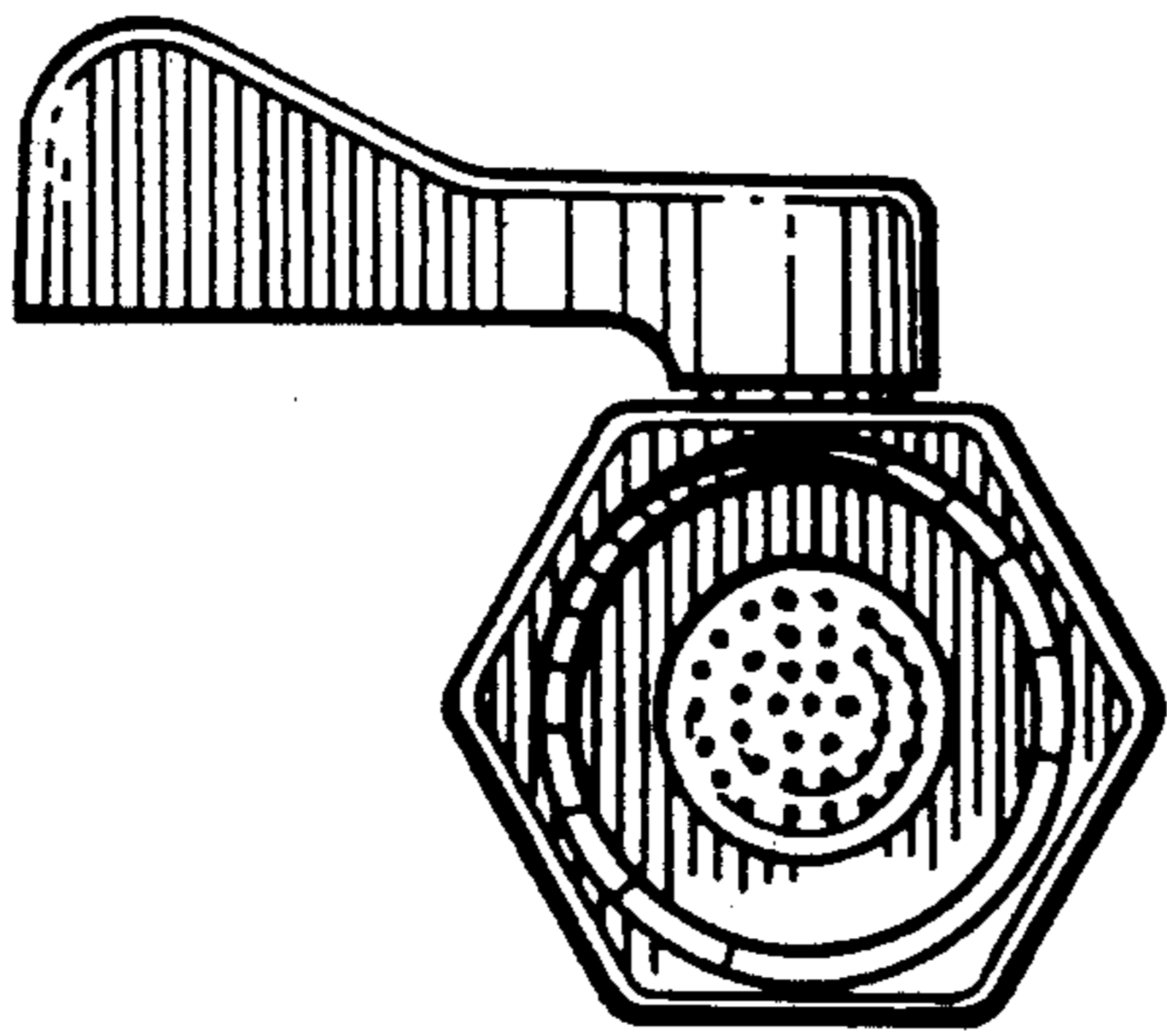


FIG. 8

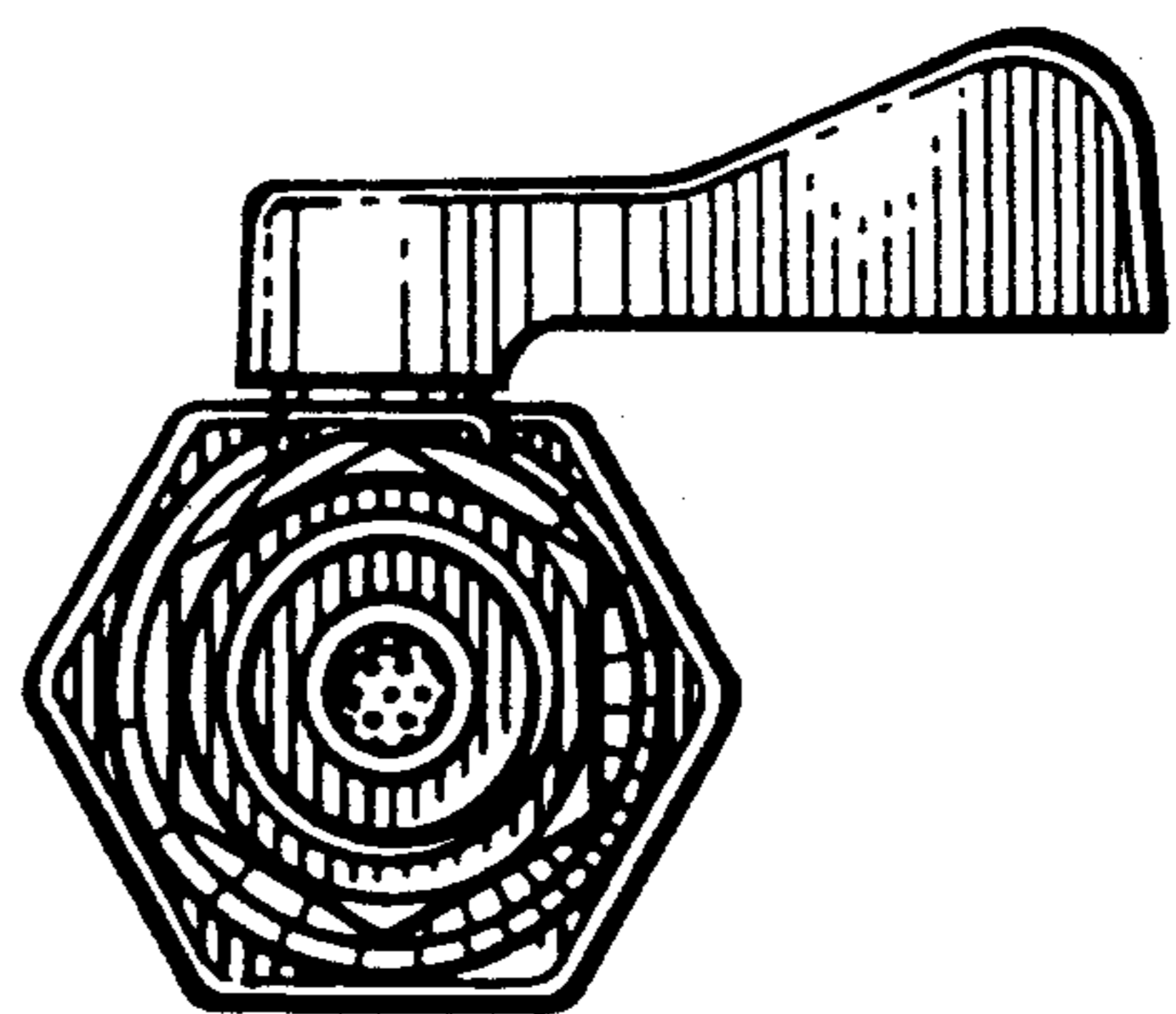


FIG. 9

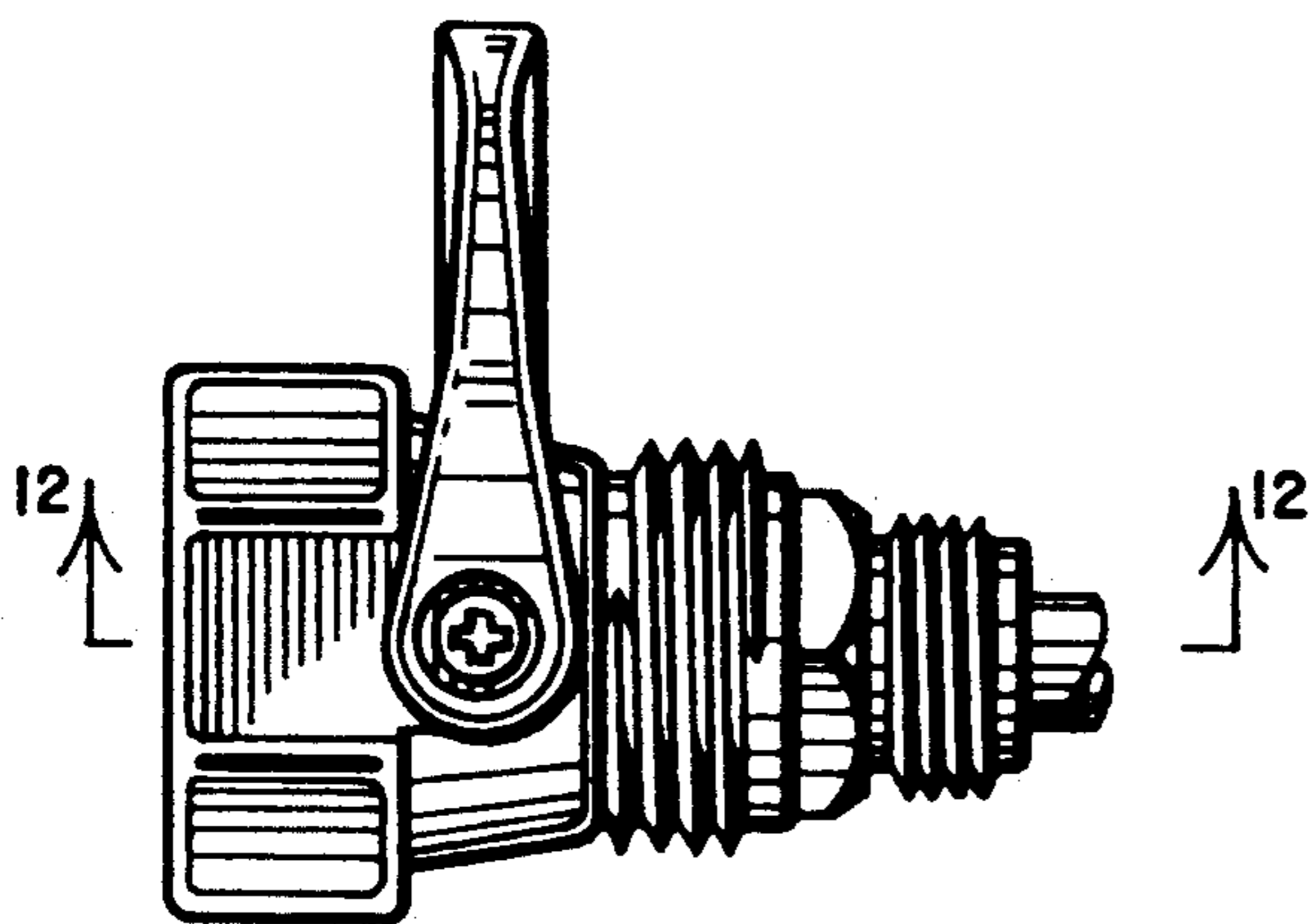


FIG. 10

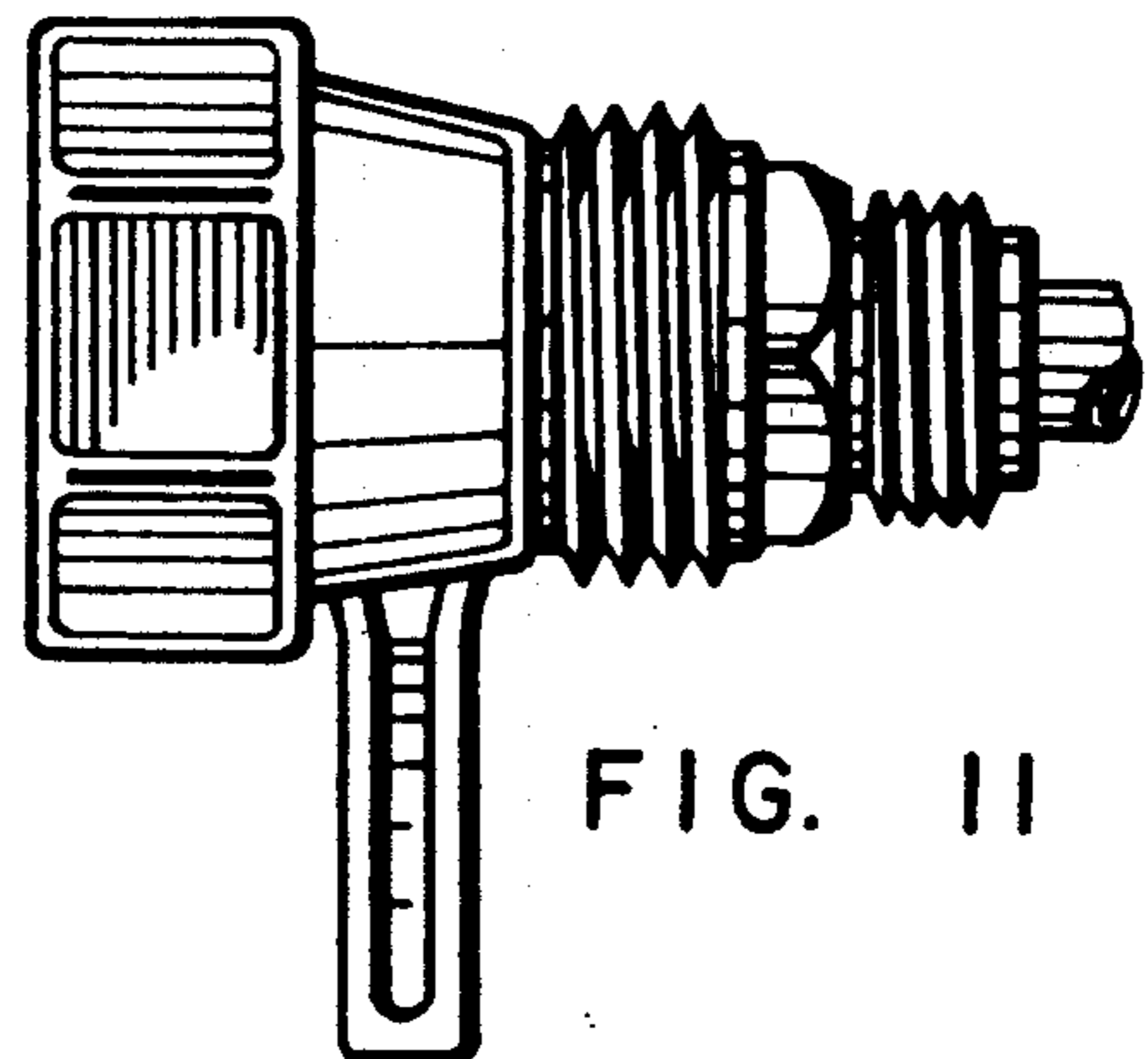


FIG. 11

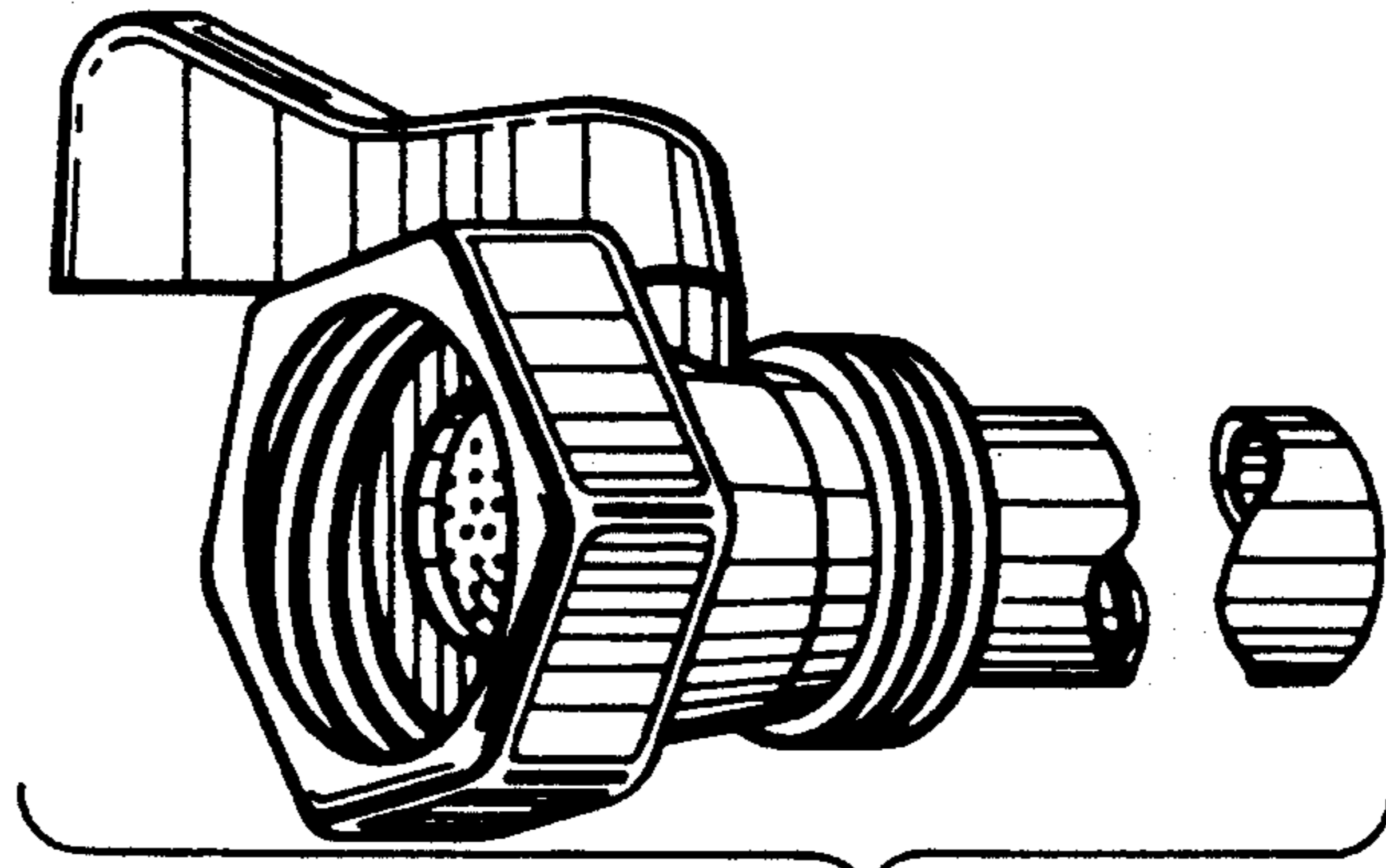


FIG. 13

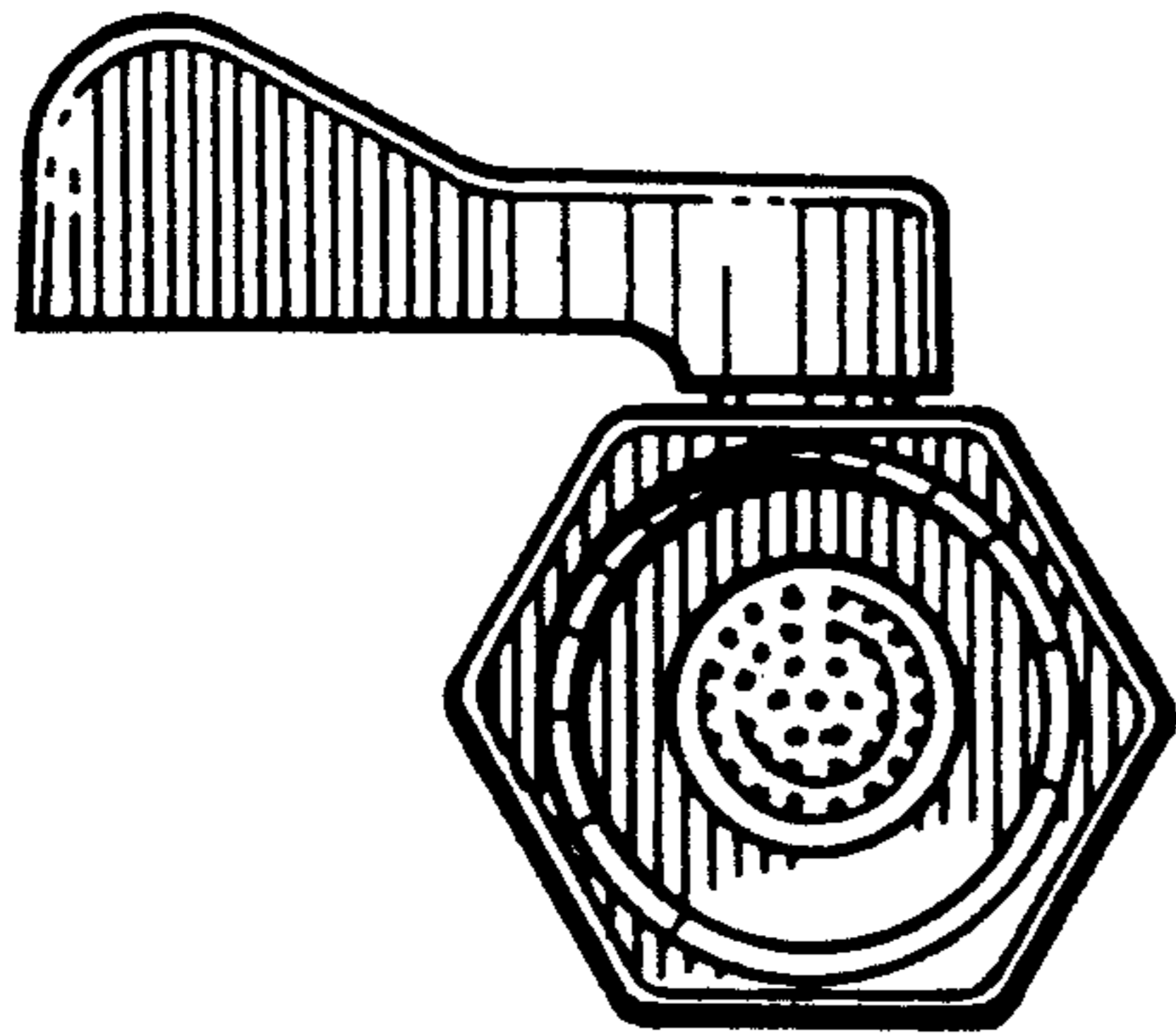


FIG. 14

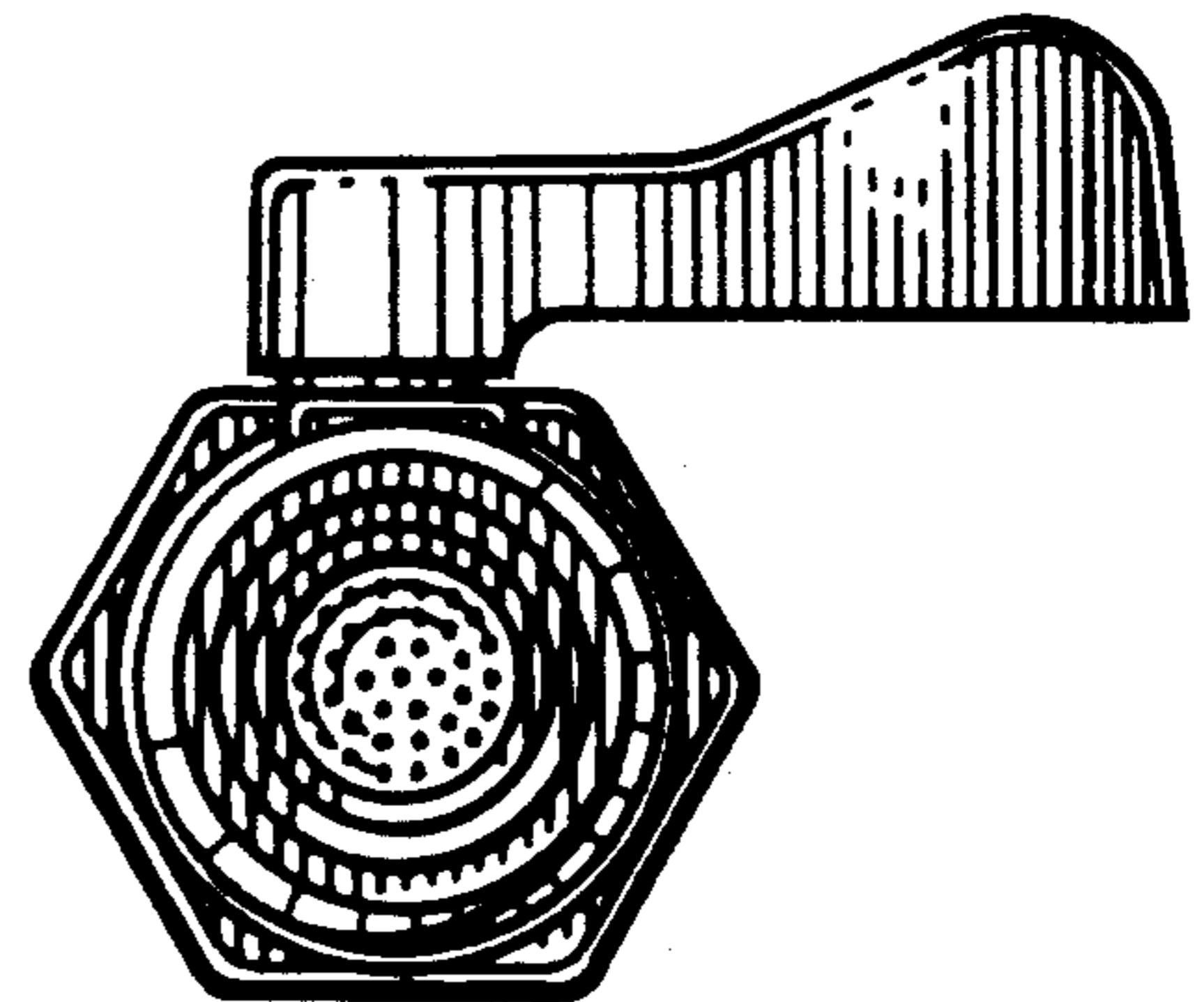


FIG. 15

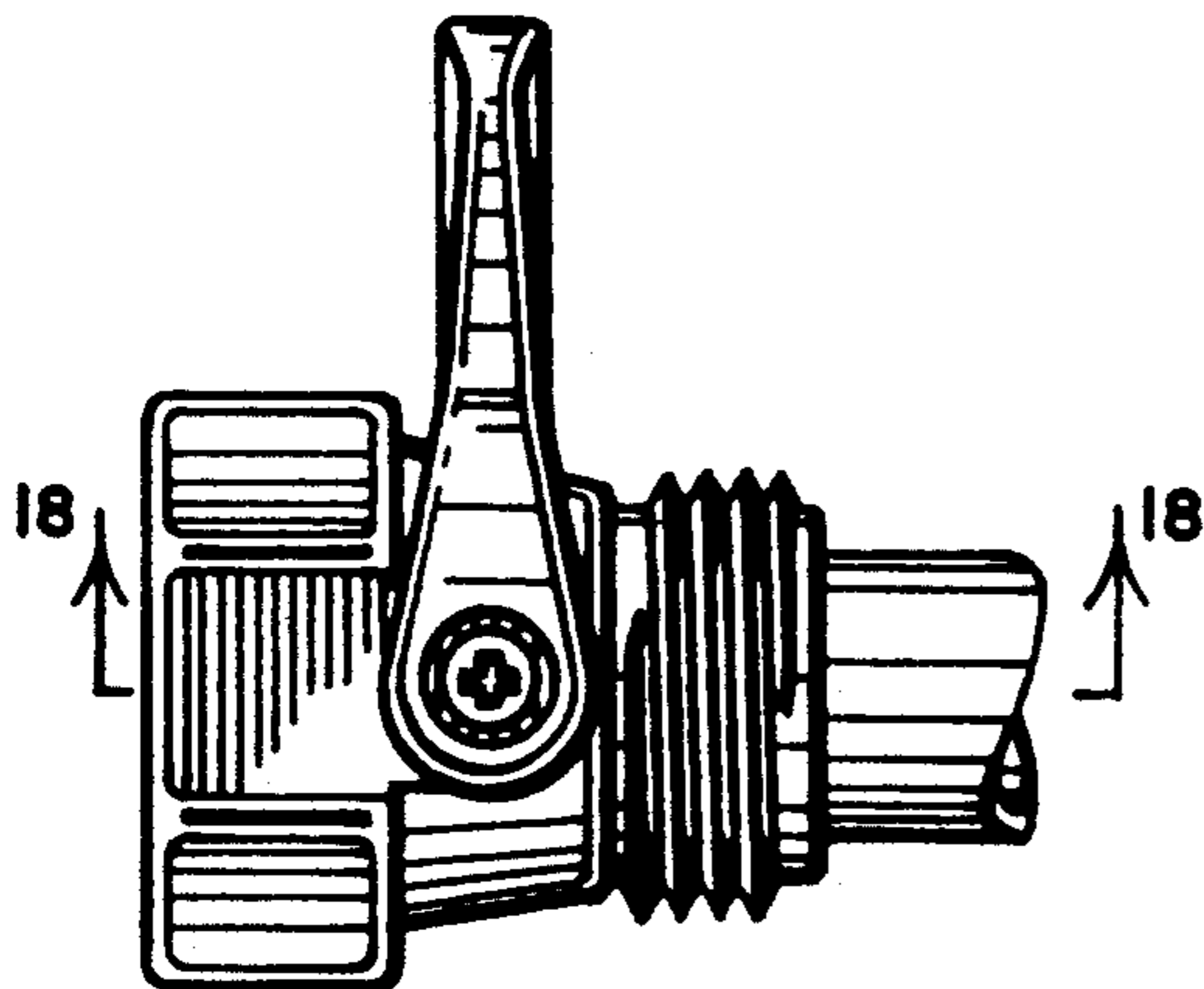


FIG. 16

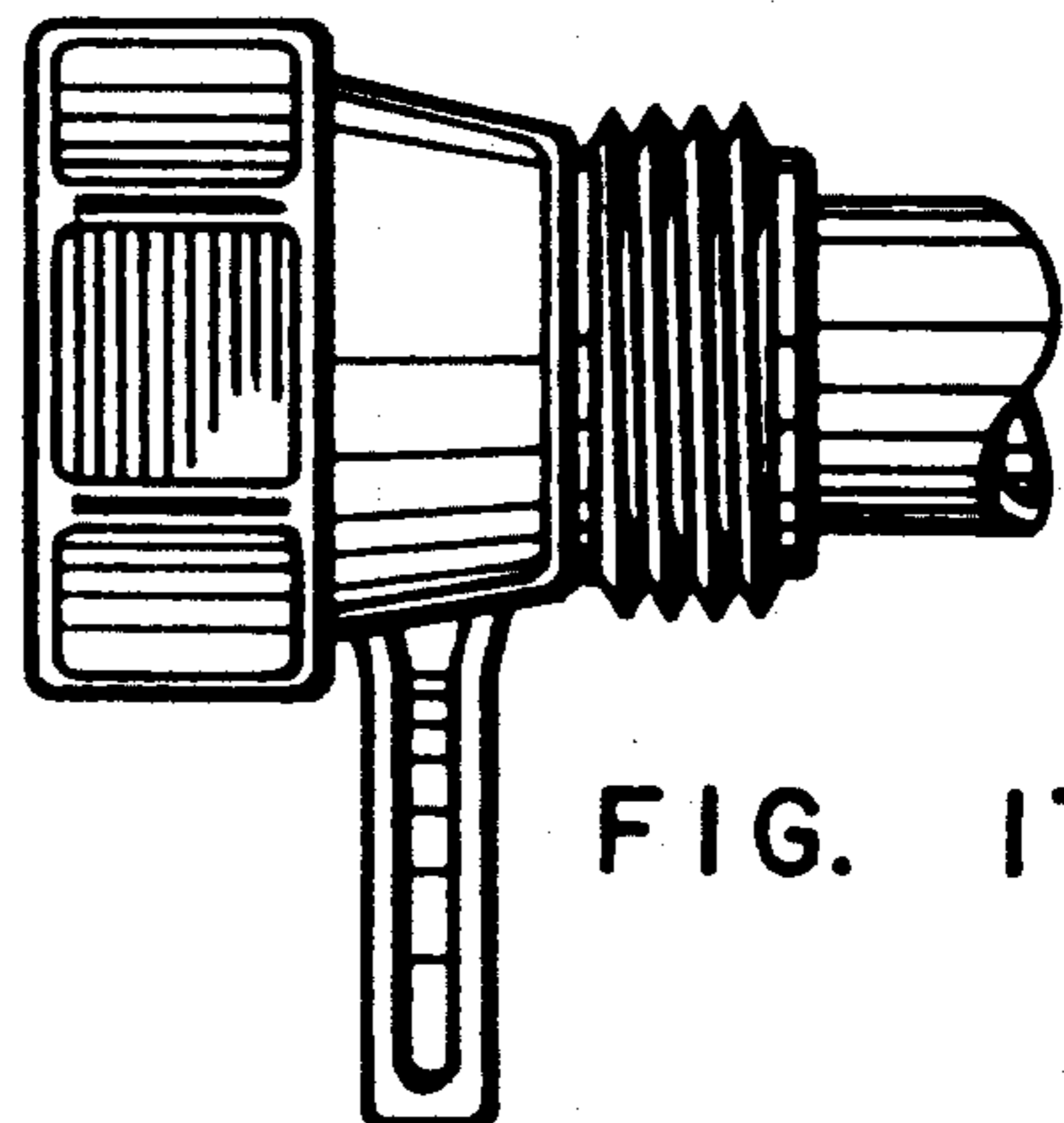


FIG. 17