



US00D331963S

United States Patent [19]

[11] Patent Number: **Des. 331,963**

Williams

[45] Date of Patent: **** Dec. 22, 1992**

[54] FILTER HOUSING

D. 313,642 1/1991 Carvano et al D23/207

[76] Inventor: **Gordon L. Williams, 20394 Verta St.,
Perris, Calif. 92370-9372**

D. 325,767 4/1992 Östlund D23/207

5,068,030 11/1991 Chen 210/282 X

[**] Term: **14 Years**

Primary Examiner—Wallace R. Burke

Assistant Examiner—M. H. Tung

Attorney, Agent, or Firm—Knobbe, Martens, Olson &
Bear

[21] Appl. No.: **696,342**

[22] Filed: **May 6, 1991**

[57] **CLAIM**

[52] U.S. Cl. **D23/209**

[58] Field of Search D23/207-210;
D7/309-310, 372-374; 210/97, 198.1, 205-206,
231, 244-246, 257.1-257.2, 258, 260-261, 275,
282, 287-290, 295, 321.6, 321.78, 348, 416.3,
443-449

The ornamental design for a filter housing, as shown
and described.

DESCRIPTION

FIG. 1 is a perspective view of a filter housing showing
my new design;

FIG. 2 is a top plan view thereof;

FIG. 3 is a bottom plan view thereof;

FIG. 4 is a front elevational view thereof;

FIG. 5 is a side elevational view thereof; and,

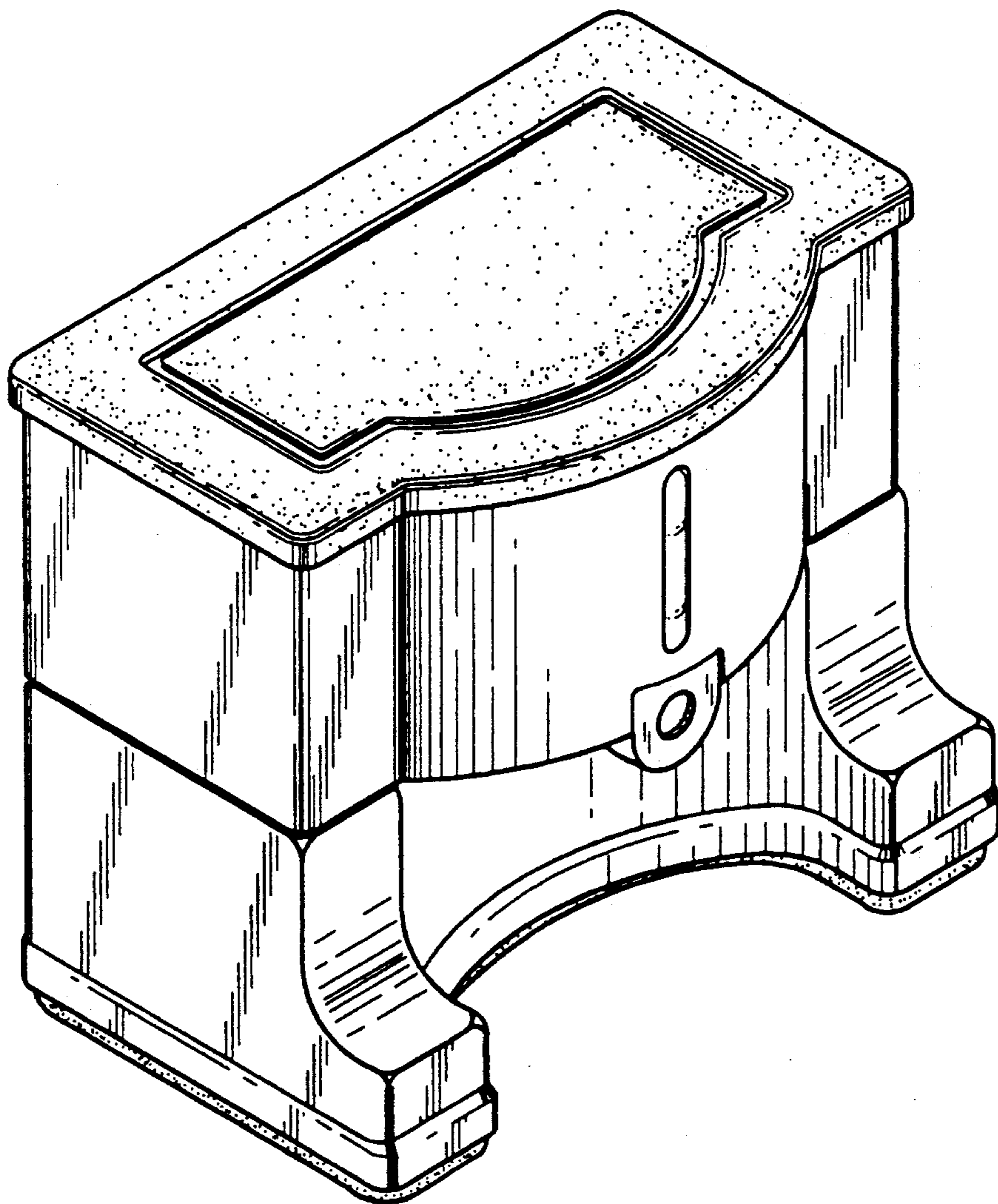
FIG. 6 is a rear elevational view thereof.

[56] **References Cited**

U.S. PATENT DOCUMENTS

D. 295,888 5/1988 Schulein et al. D23/207

D. 304,409 11/1989 Buren D7/309



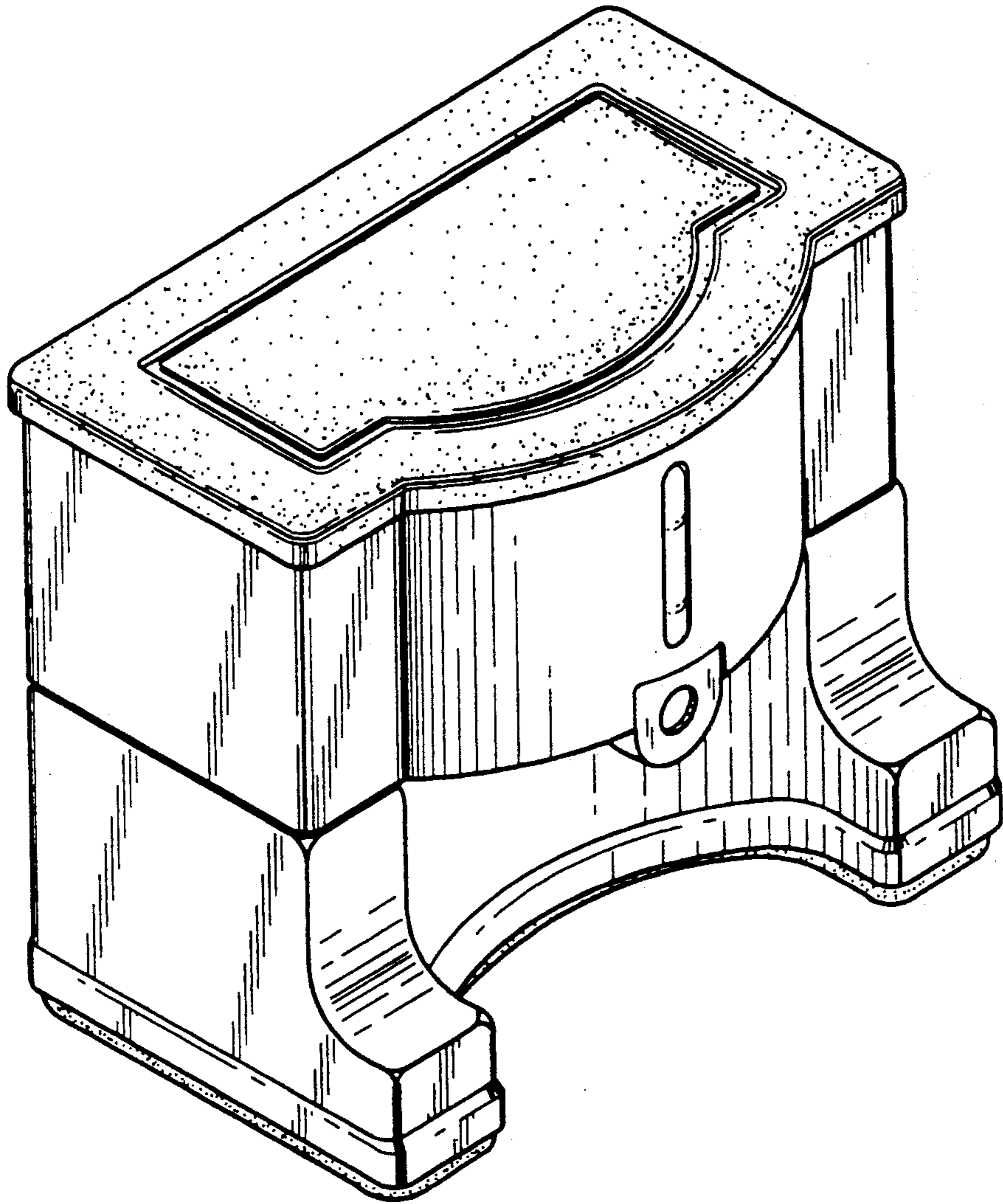


Fig. 1

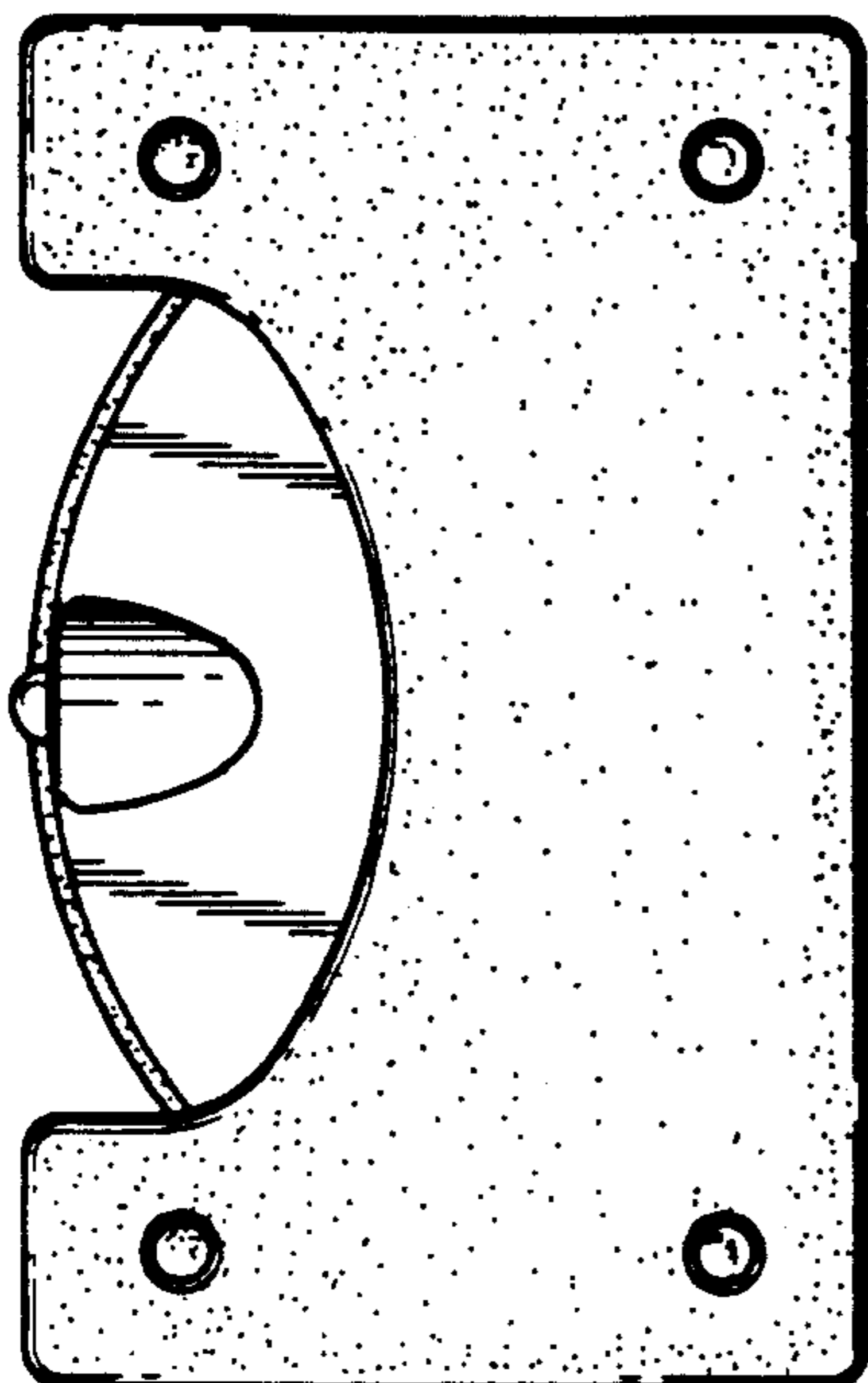


Fig. 3

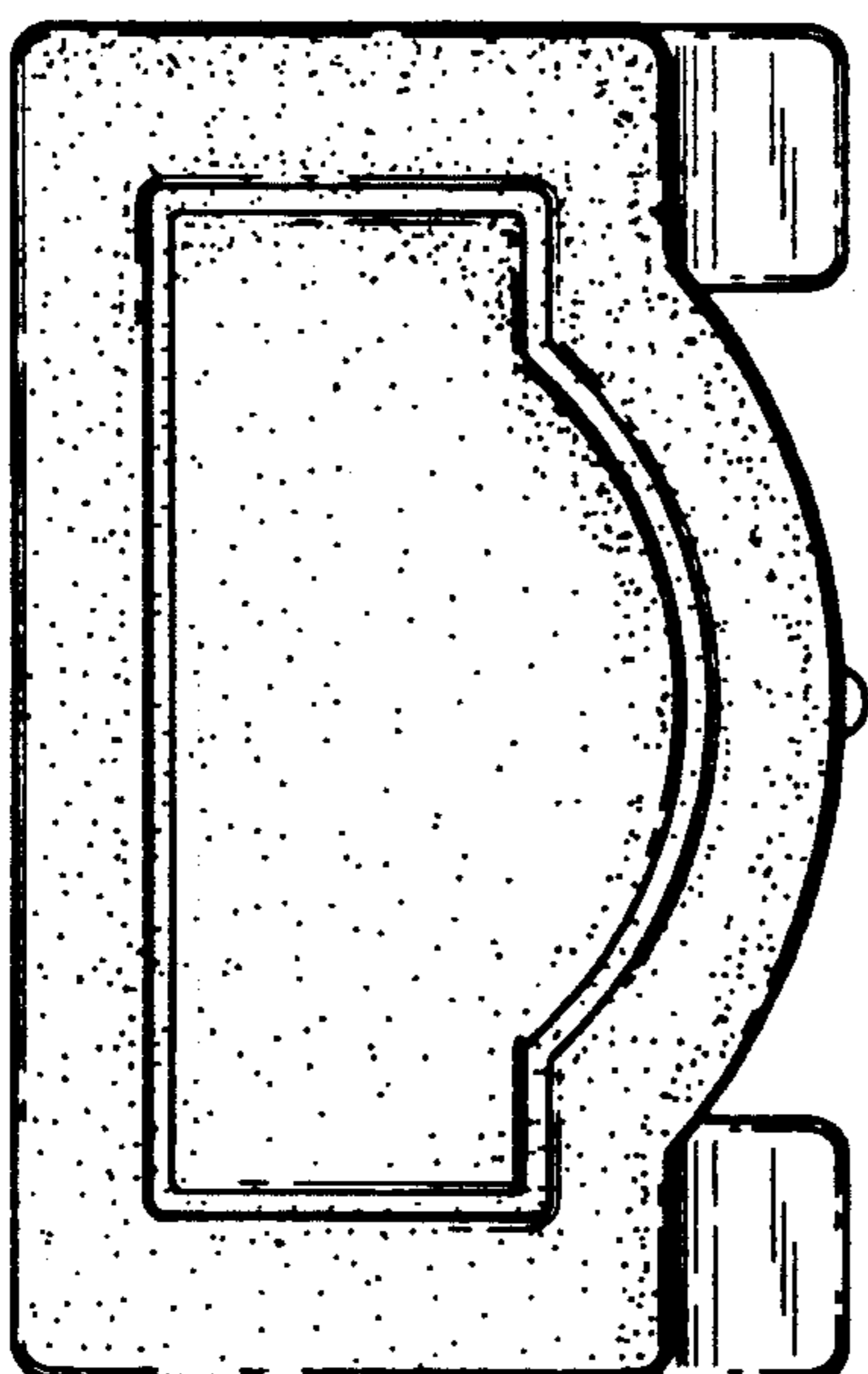


Fig. 2

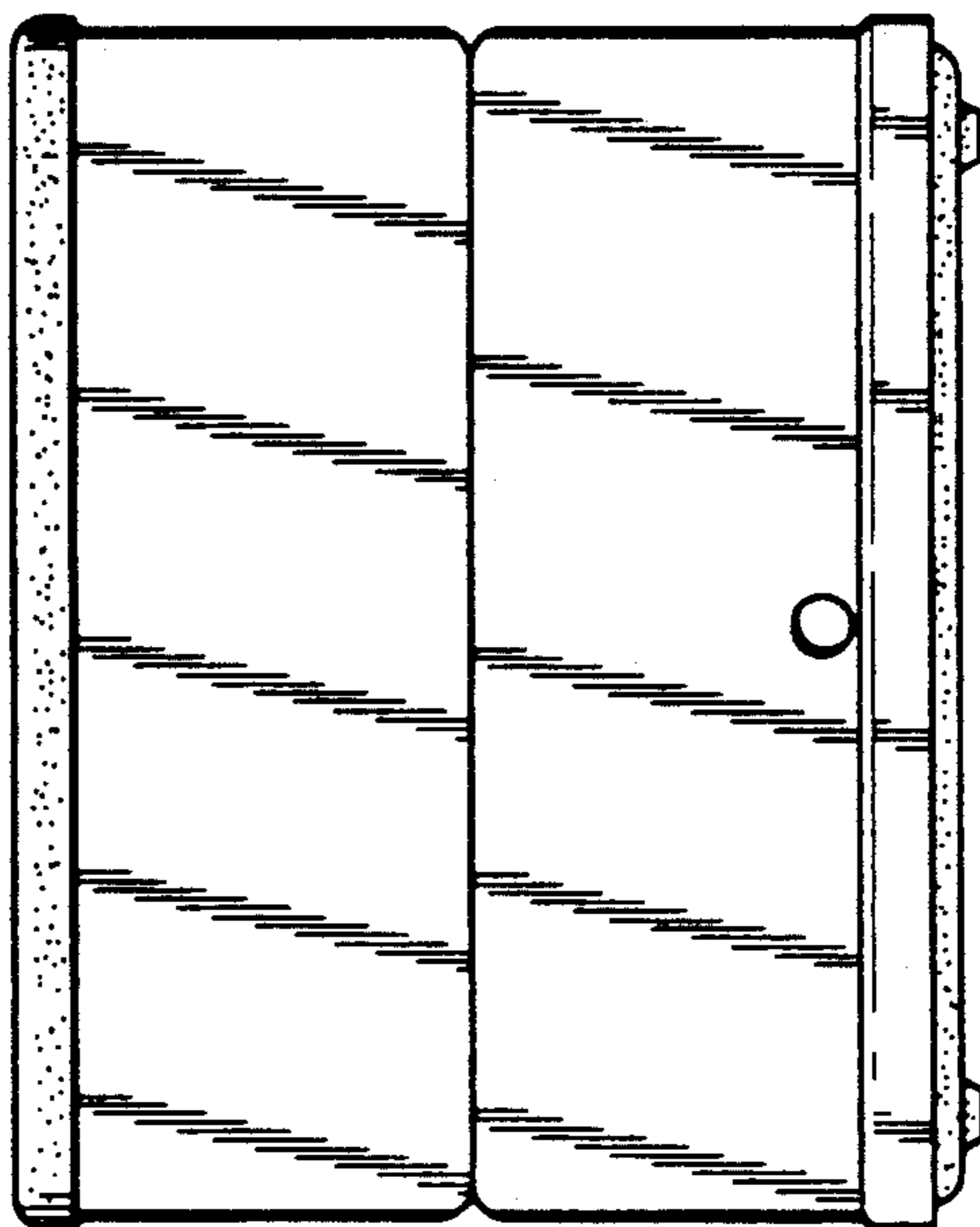


Fig. 6

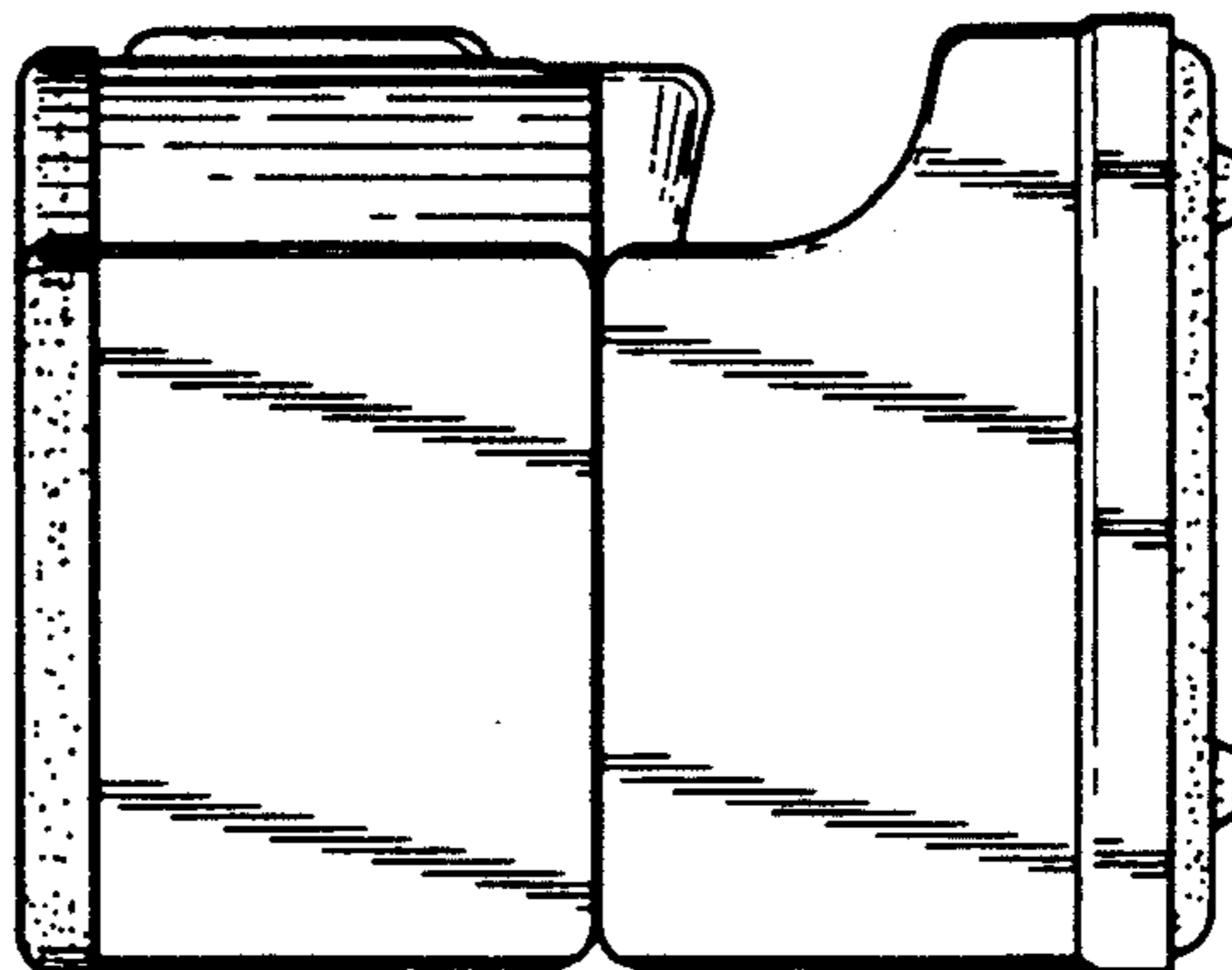


Fig. 5

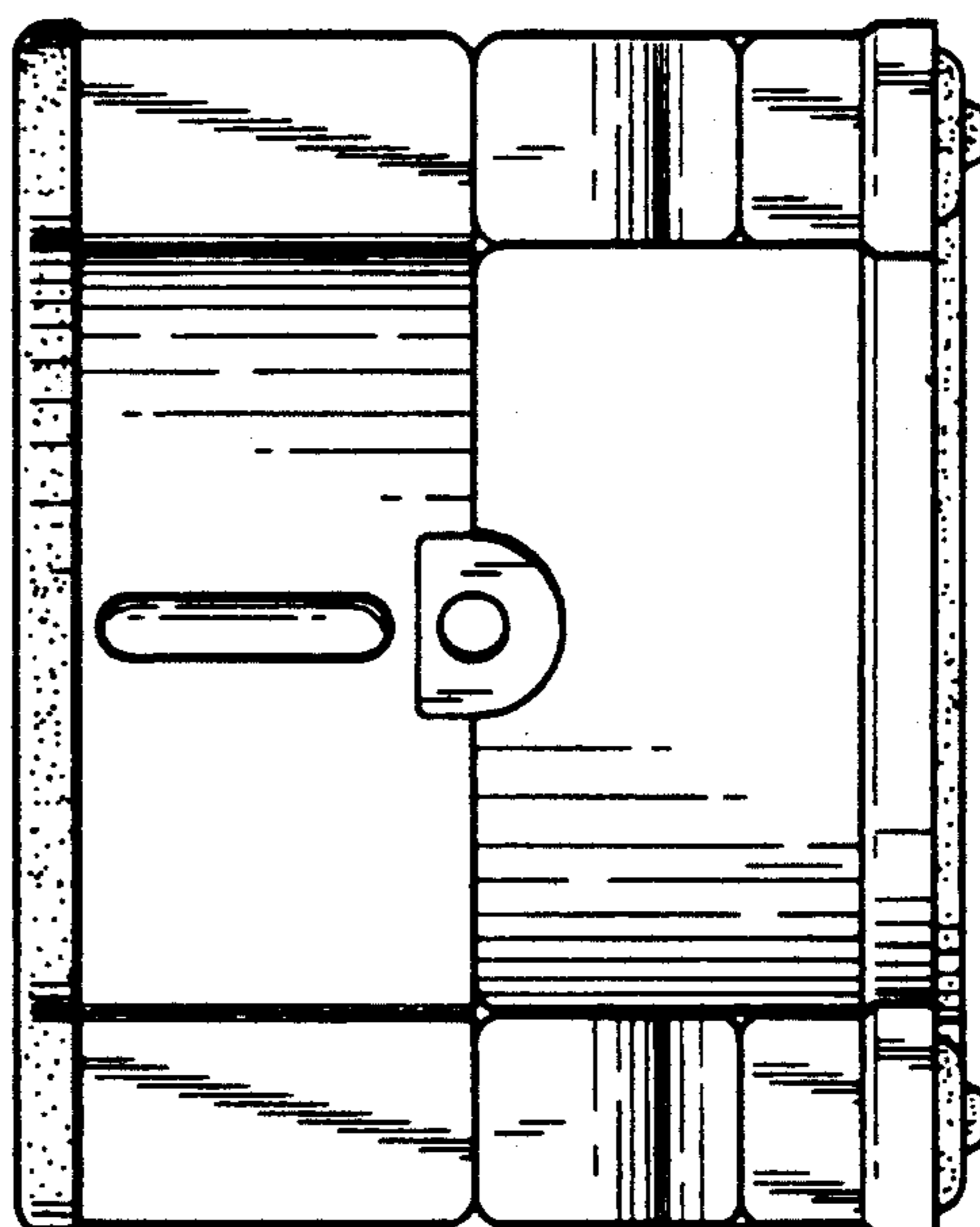


Fig. 4