



US00D331961S

# United States Patent [19]

[11] Patent Number: **Des. 331,961**

Ridolfi et al.

[45] Date of Patent: **\*\* Dec. 22, 1992**

[54] **COMBINED FILTER AND REGULATOR UNIT FOR PNEUMATIC CIRCUITS**

[76] Inventors: **Carlos E. Ridolfi; Higinio B. Ridolfi**, both of 117 Lincoln Street, 1875 Wilde, Province of Buenos Aires, Argentina

[\*\*] Term: **14 Years**

[21] Appl. No.: **687,537**

[22] Filed: **Apr. 19, 1991**

[30] **Foreign Application Priority Data**

Oct. 30, 1990 [AR] Argentina ..... 057052  
[52] U.S. Cl. .... **D23/365**  
[58] Field of Search ..... D23/365, 364, 355-363; 55/337

[56] **References Cited**

**U.S. PATENT DOCUMENTS**

D. 130,447 11/1941 Tammen ..... D23/364  
D. 295,674 5/1988 Ogasawara et al. .... D23/365  
D. 308,571 6/1990 Albertini et al. .... D23/365  
4,889,544 12/1989 Hsu ..... 55/337  
4,957,516 9/1990 Daniels ..... 55/337

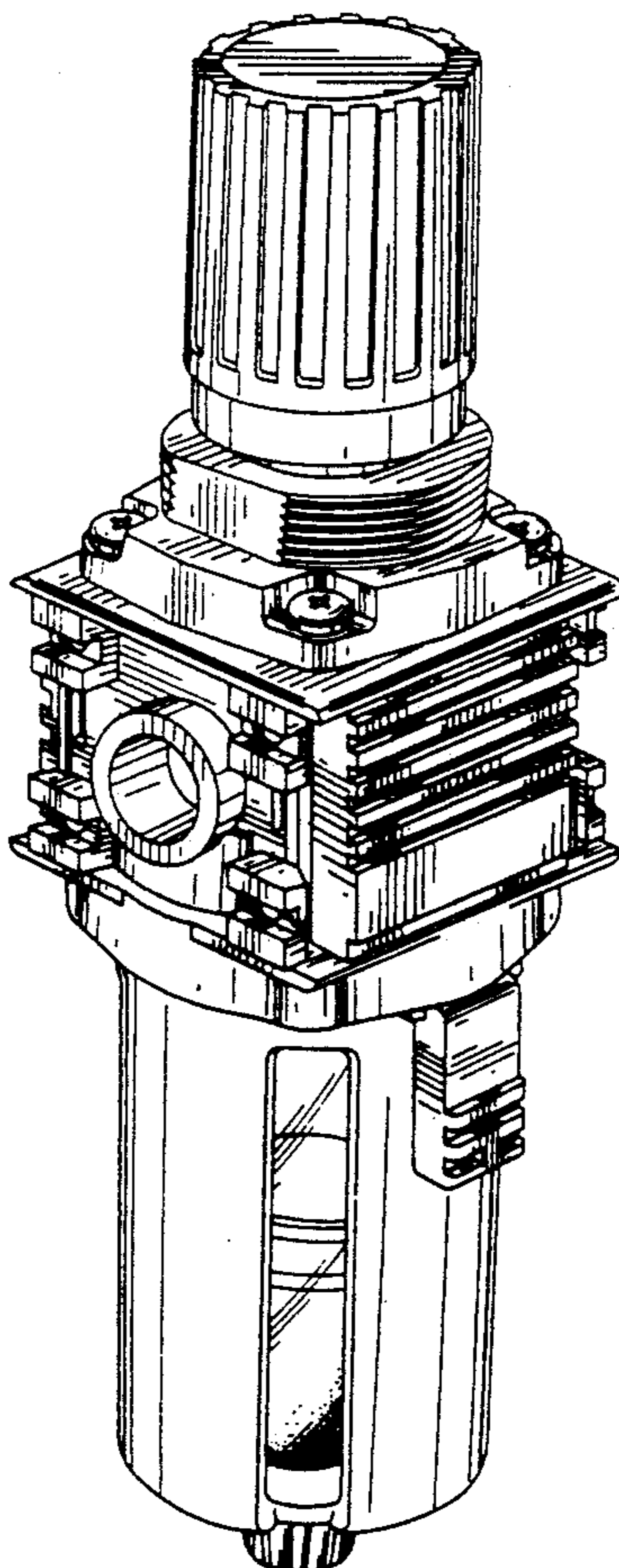
*Primary Examiner*—Wallace R. Burke  
*Assistant Examiner*—Lisa Lichtenstein  
*Attorney, Agent, or Firm*—Keck, Mahin & Cate

[57] **CLAIM**

The ornamental design for a combined filter and regulator unit for pneumatic circuits, as shown and described.

**DESCRIPTION**

FIG. 1 is a top, rear and left side perspective view of a combined filter and regulator unit for pneumatic circuits showing our new design; FIG. 2 is a right side elevational view thereof; FIG. 3 is a front elevational view thereof; FIG. 4 is a top plan view thereof; FIG. 5 is a bottom plan view thereof; FIG. 6 is a rear elevational view thereof; FIG. 7 is a top, front and left side perspective view of a combined filter and regulator unit for pneumatic circuits showing a second embodiment of our new design; FIG. 8 is a top, front and right side perspective view of FIG. 6; FIG. 9 is a top rear and right side perspective view of FIG. 6; FIG. 10 is an enlarged top plan view of FIG. 6; FIG. 11 is an enlarged bottom plan view of FIG. 6; and, FIG. 12 is a rear elevational view of FIG. 6.



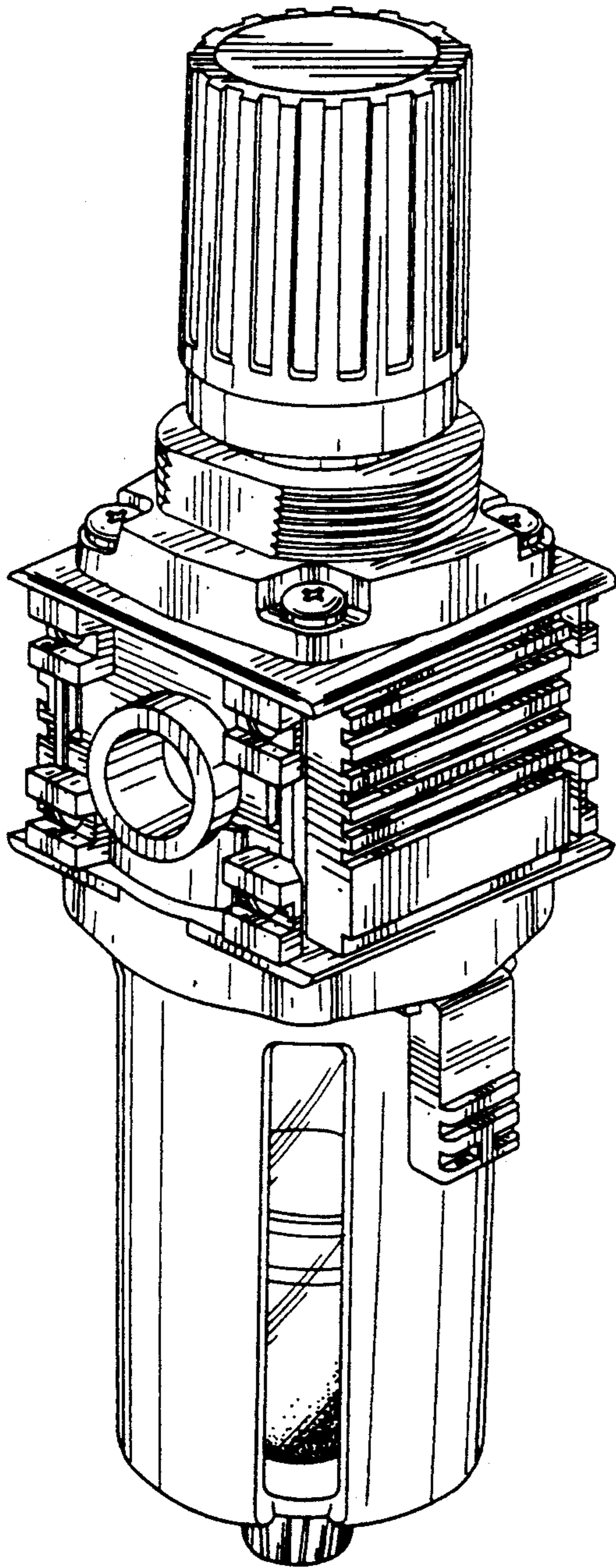


FIG. 1

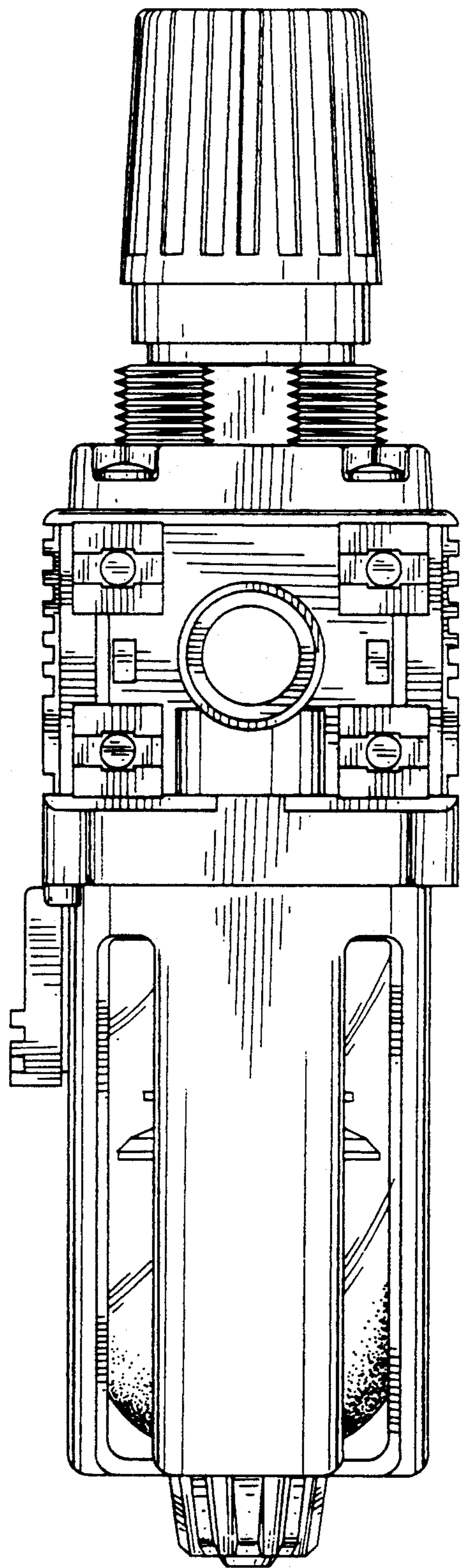


FIG. 2

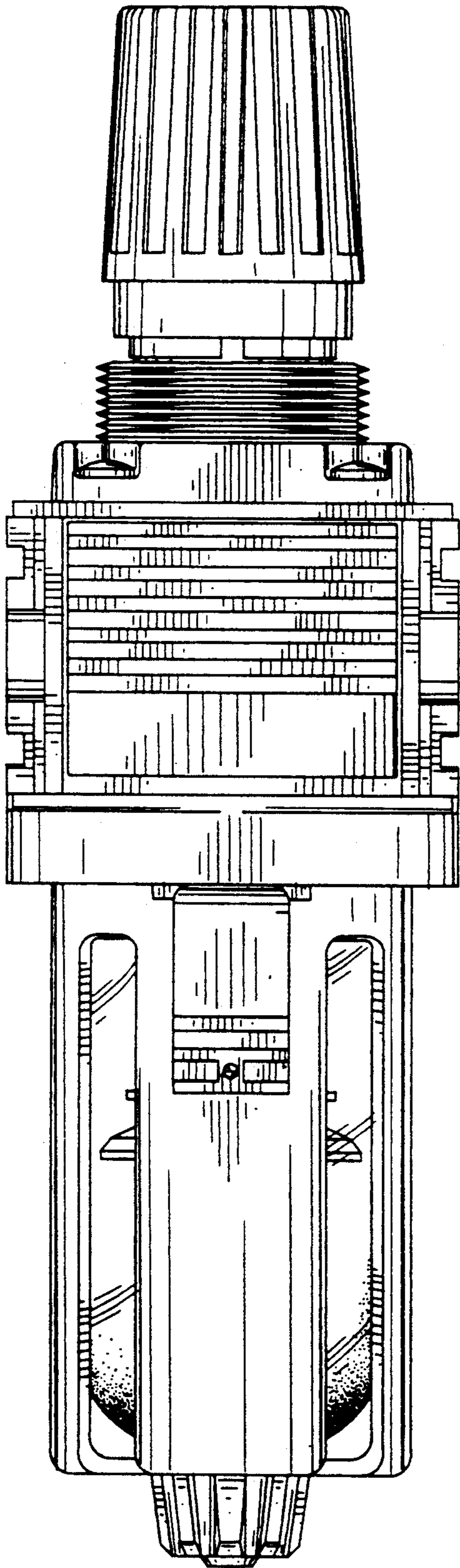


FIG. 3

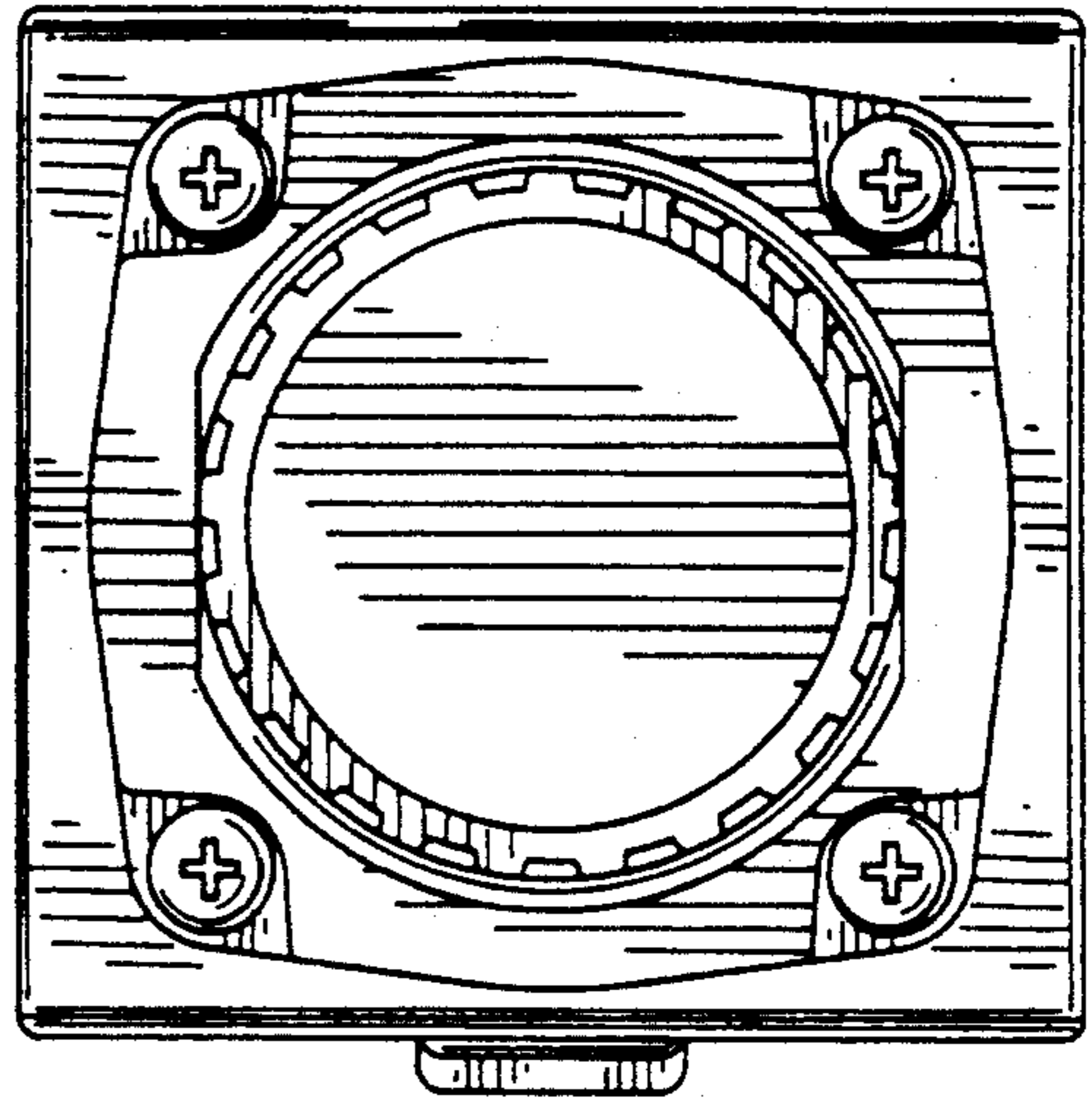


FIG. 4

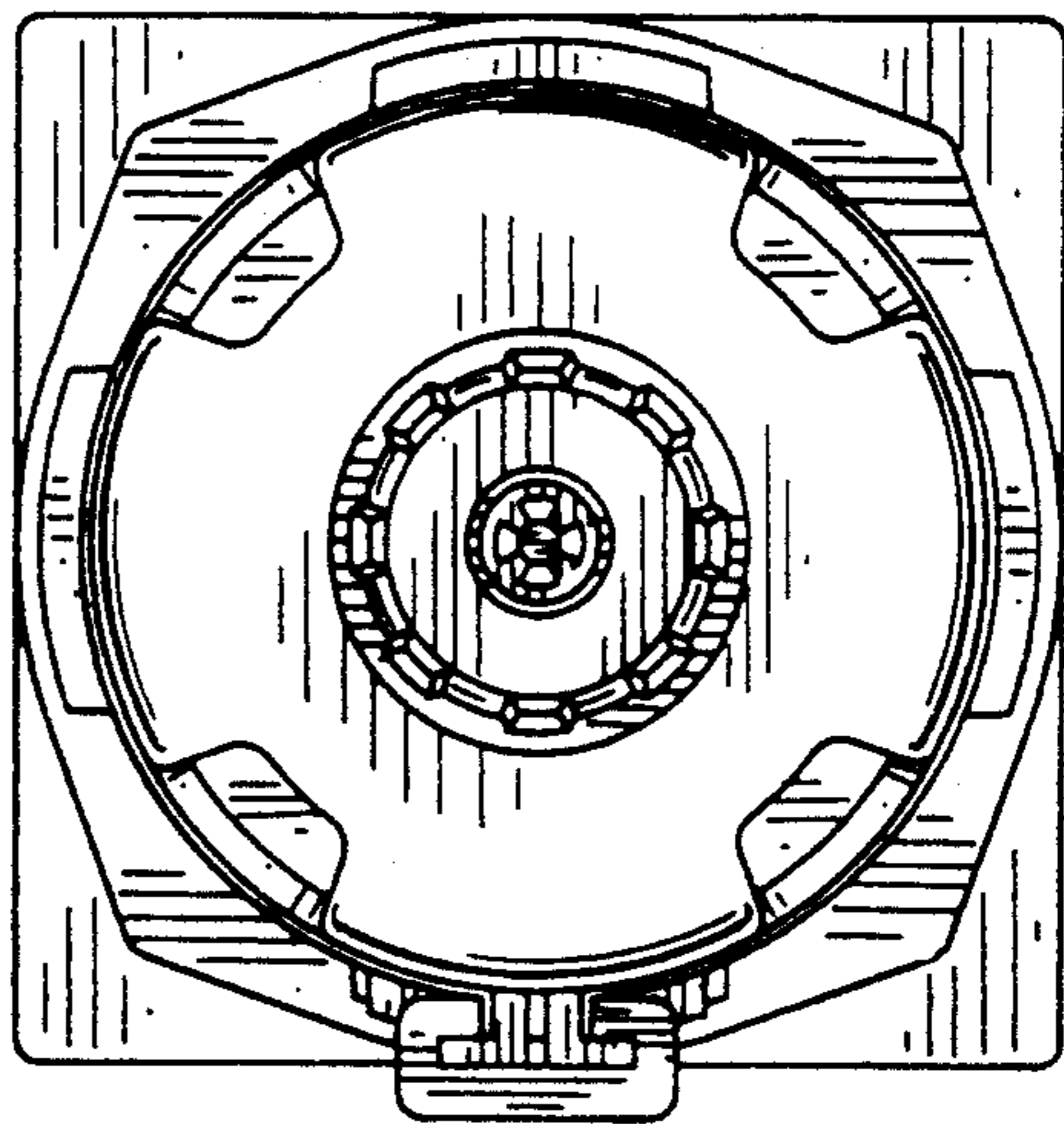


FIG. 5

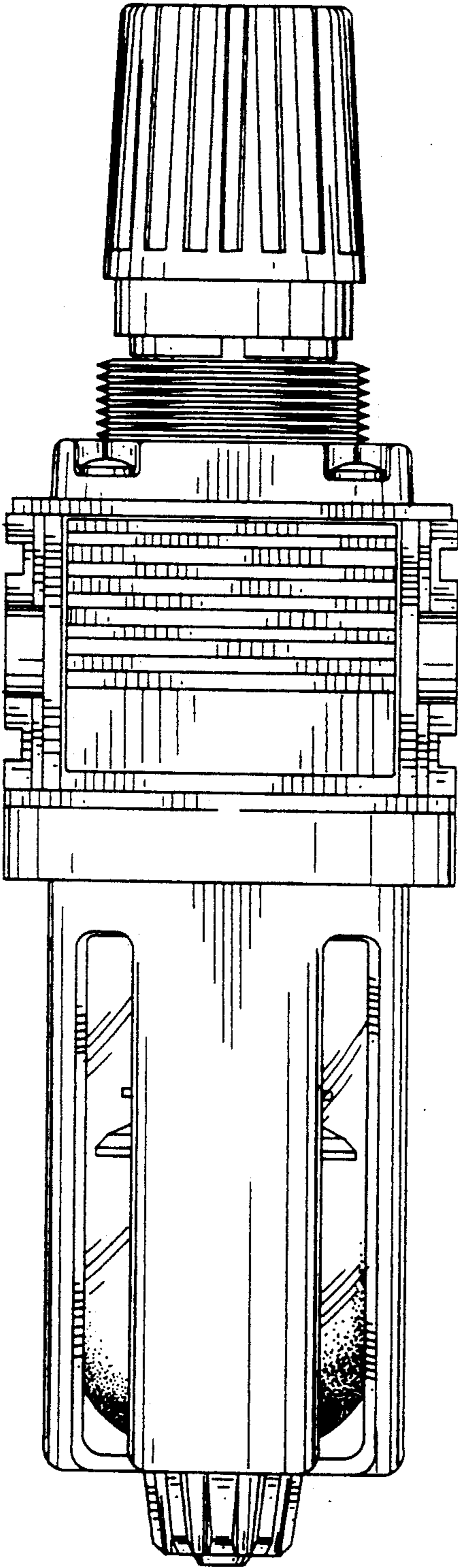


FIG. 6

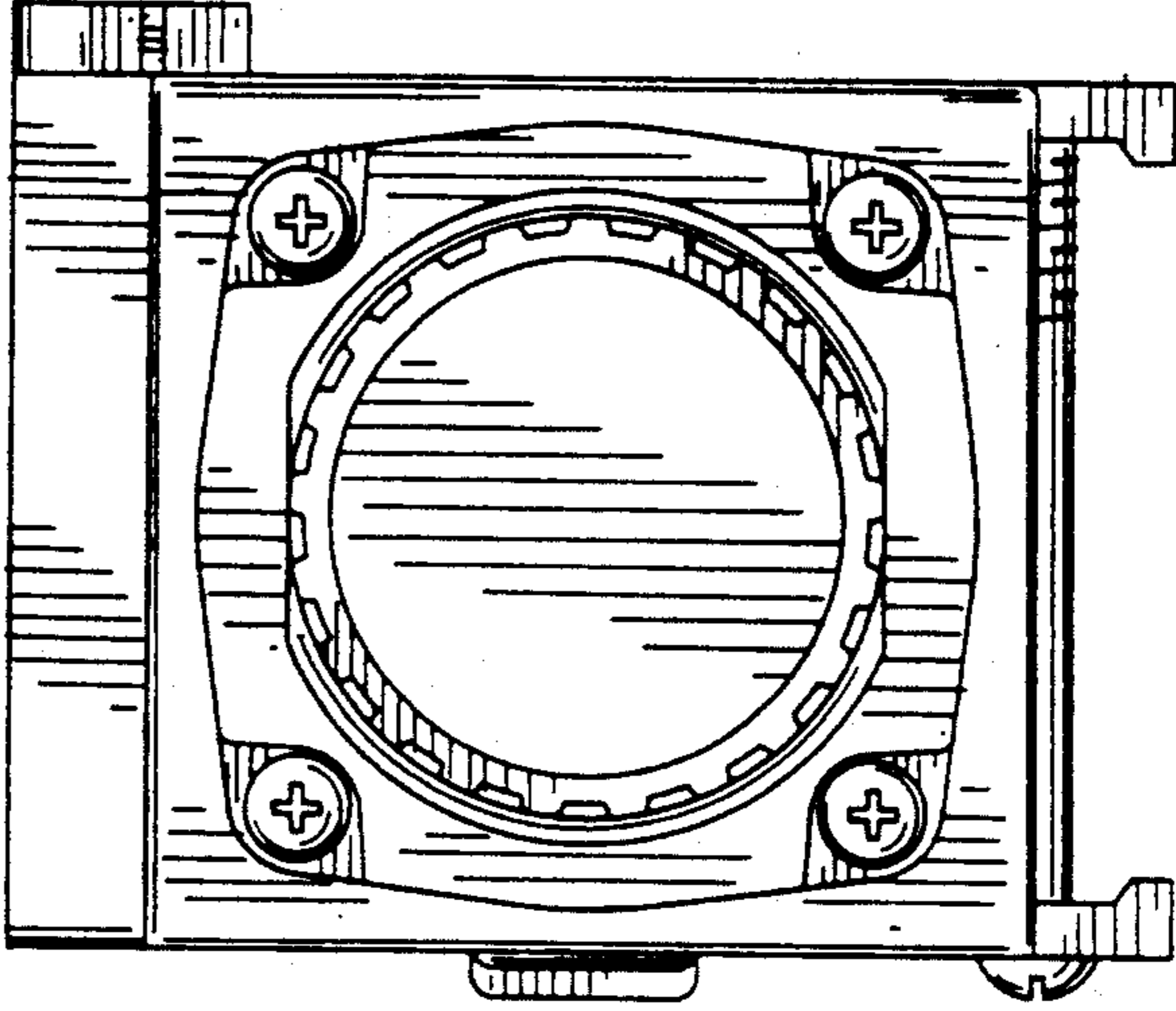


FIG. 10

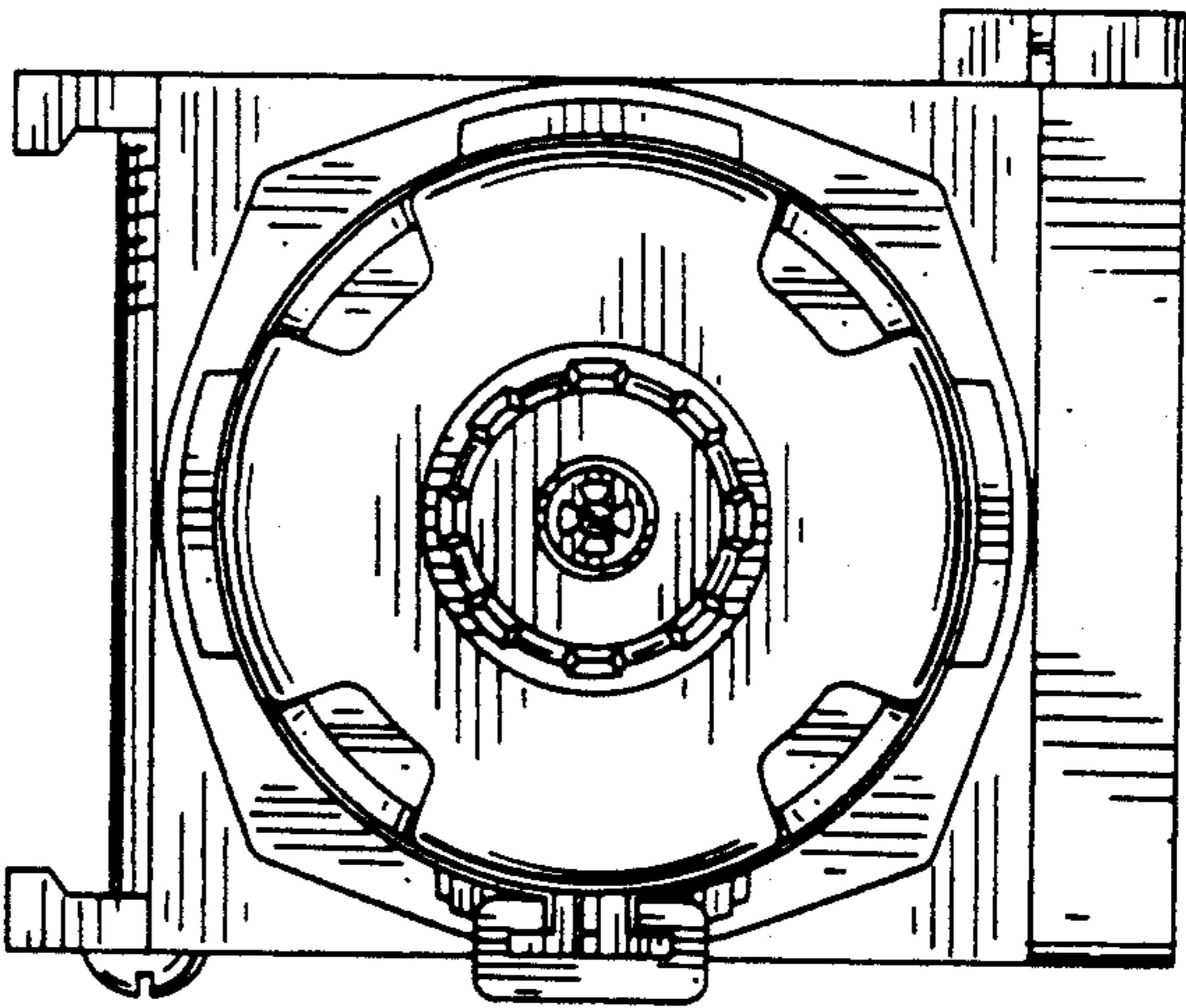


FIG. 11

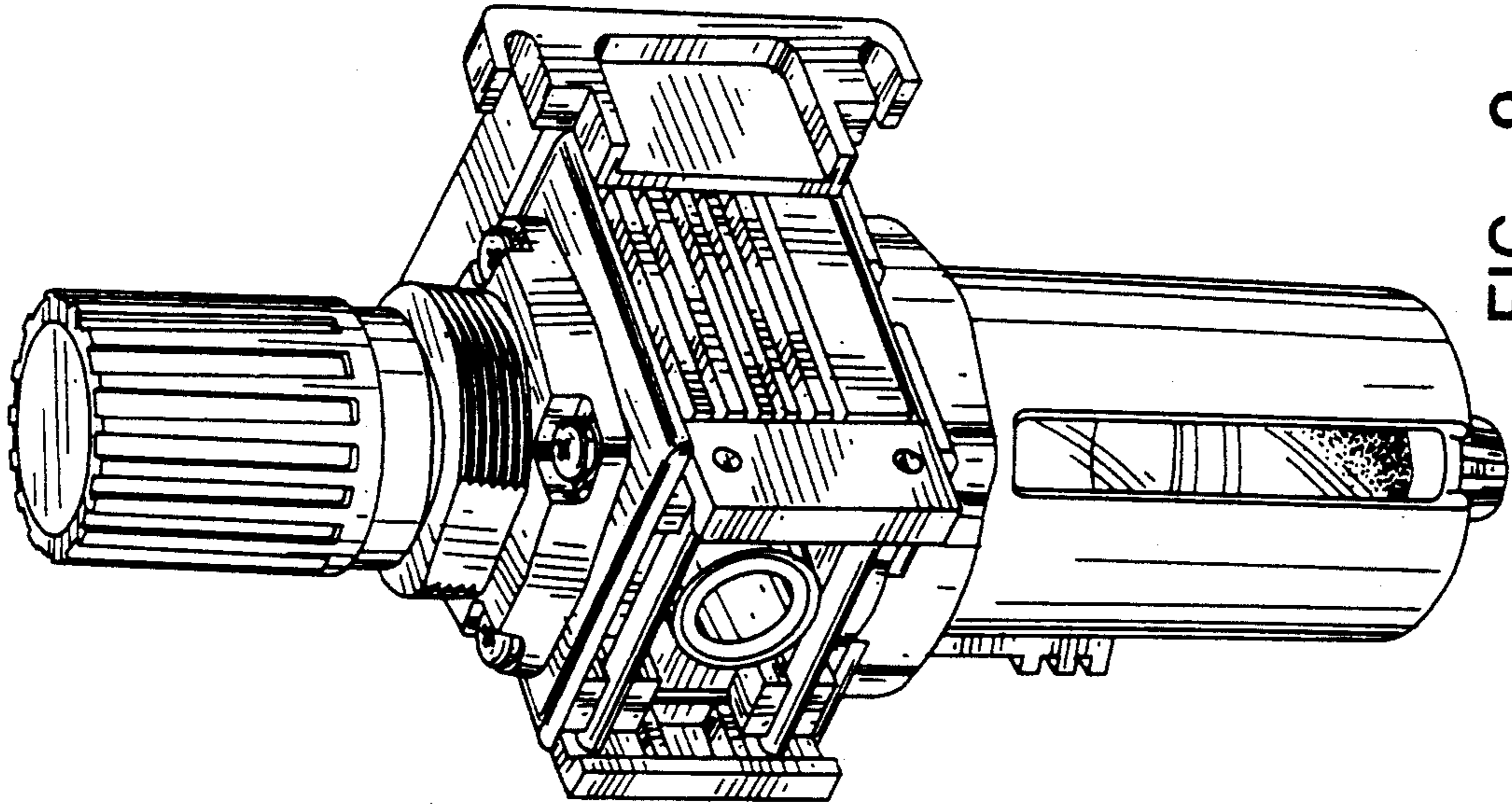


FIG. 9

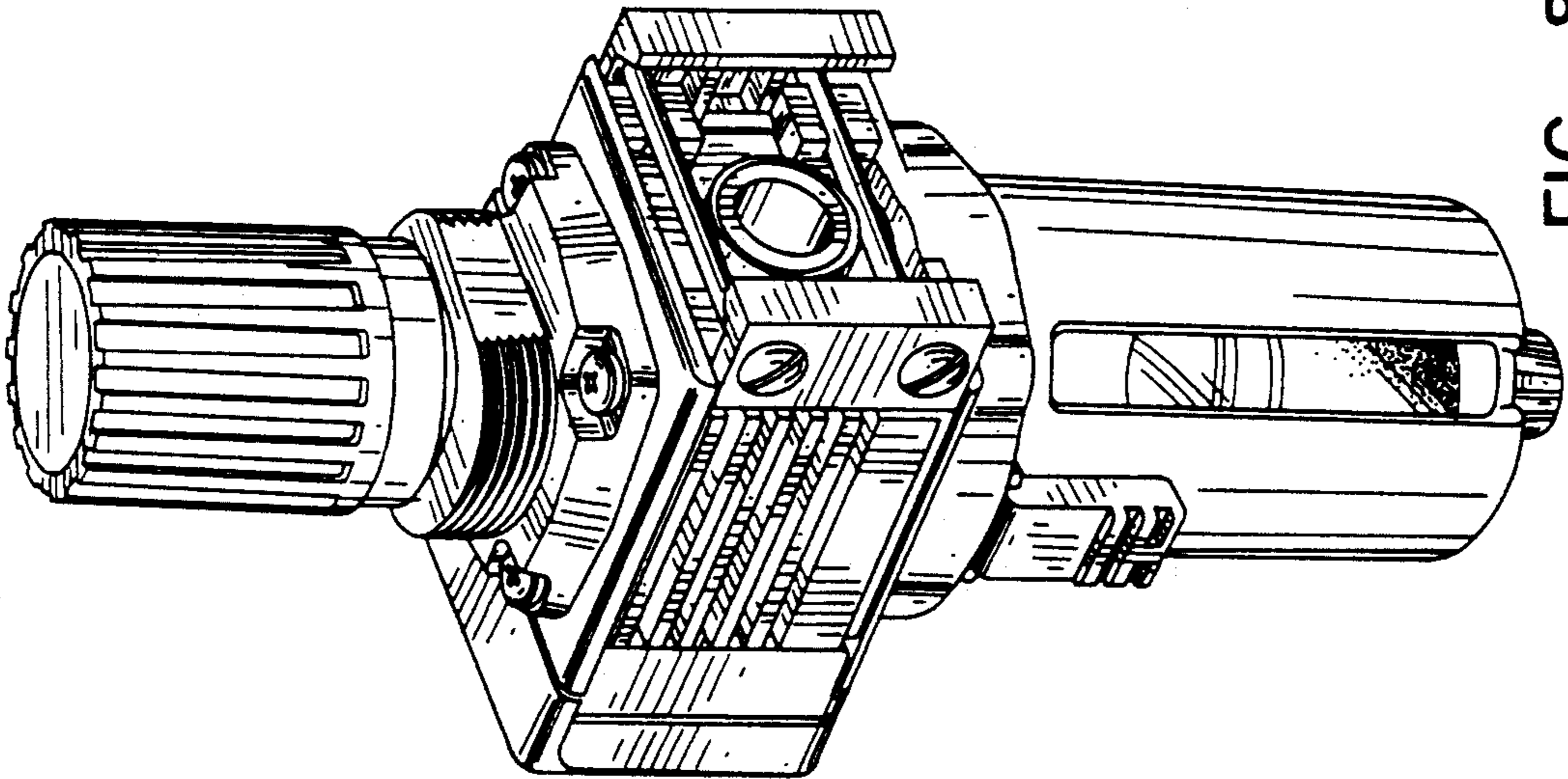


FIG. 8

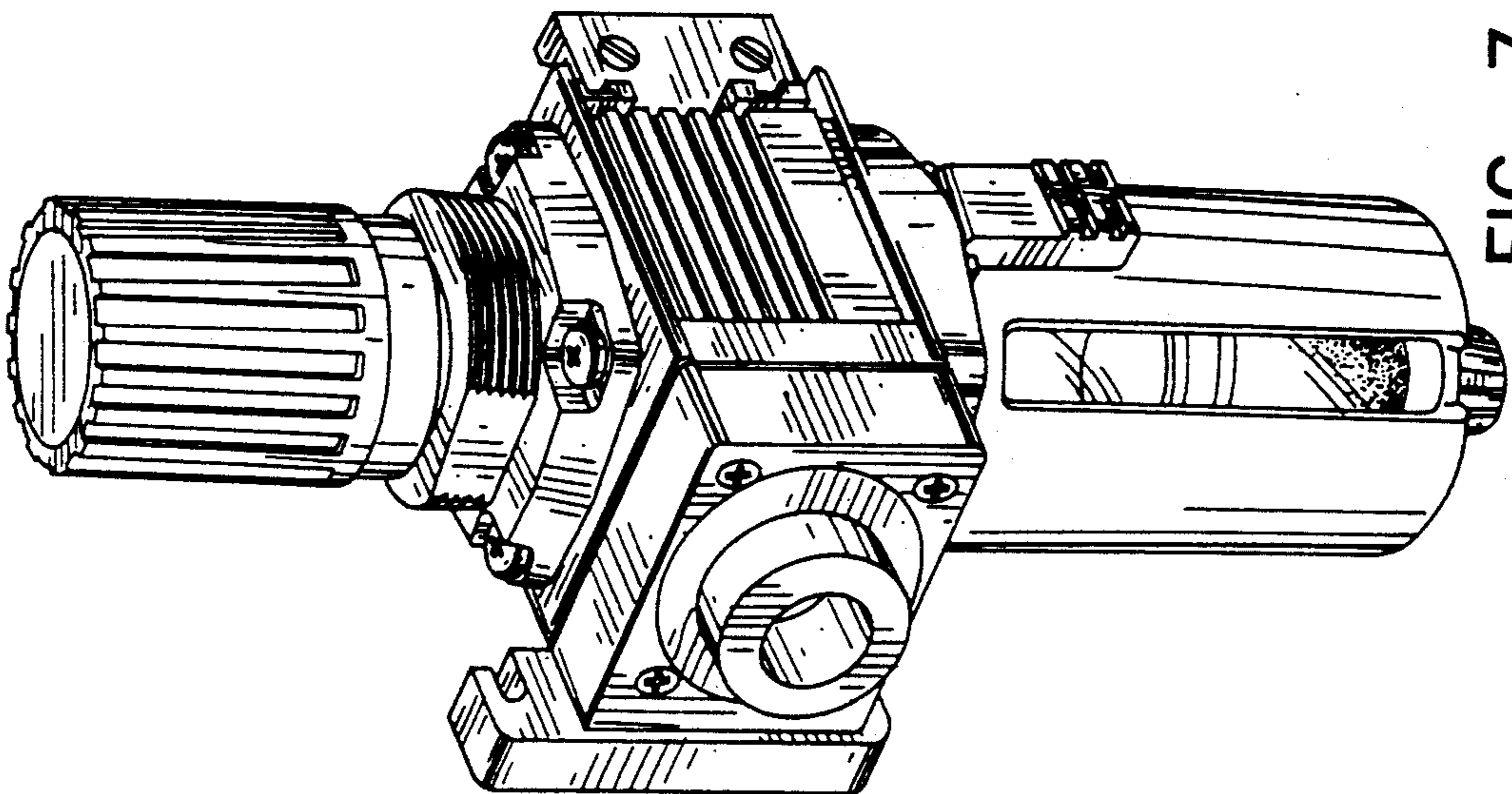


FIG. 7

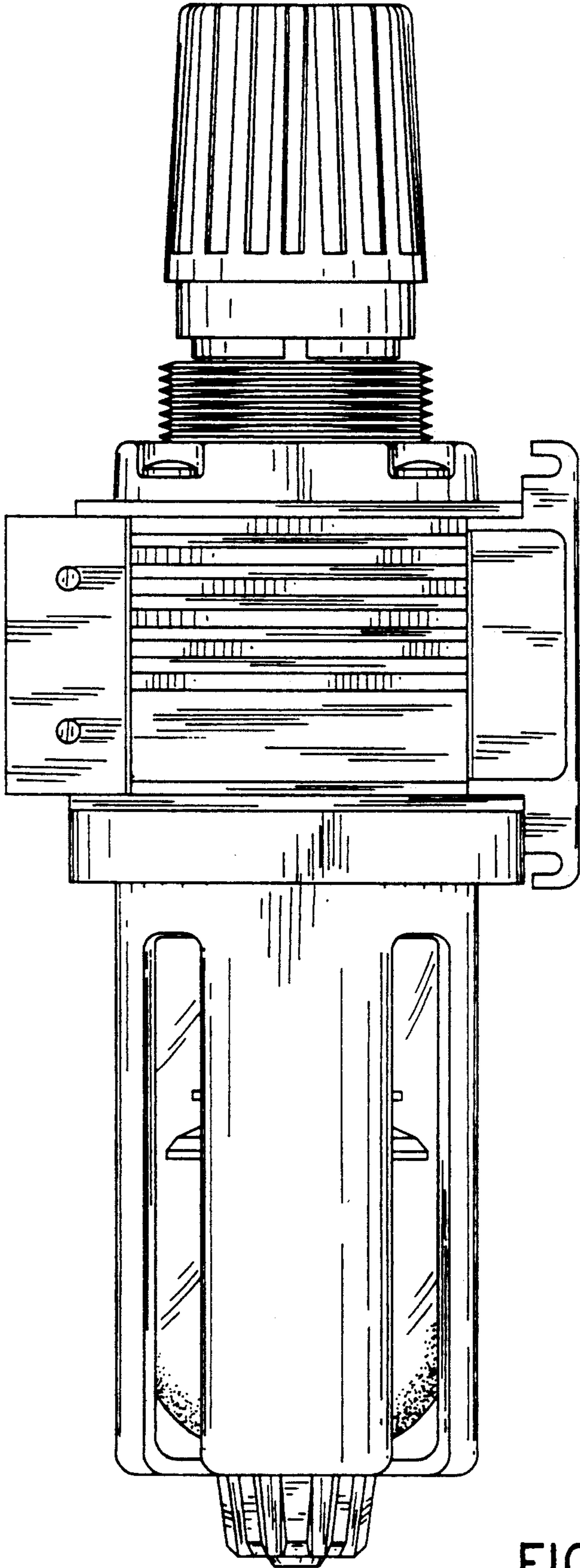


FIG. 12